



US00D539157S

(12) **United States Design Patent**
Okusono Ruiz

(10) **Patent No.:** **US D539,157 S**
(45) **Date of Patent:** **** Mar. 27, 2007**

(54) **CONTAINER**

(75) **Inventor:** **Jaime Alejandro Okusono Ruiz**, Santa Catarina (MX)

(73) **Assignee:** **Mars Incorporated**, McLean, VA (US)

(**) **Term:** **14 Years**

(21) **Appl. No.:** **29/243,316**

(22) **Filed:** **Nov. 23, 2005**

(30) **Foreign Application Priority Data**

Jun. 14, 2005 (MX) PA/f/2005/000822

(51) **LOC (8) Cl.** **09-01**

(52) **U.S. Cl.** **D9/540; D9/549; D9/557**

(58) **Field of Classification Search** D9/682,
D9/686-694, 718, 723-724, 500, 502-505,
D9/905, 516, 519-520, 521, 529-530, 537-540,
D9/545, 549, 556-558, 571, 435, 443-446,
D9/449, 454; D1/102-103, 105, 130, 199;
215/12.1-12.2, 382-384; 220/4.27, 23.4,
220/23.83, 561, 761, 766, 770

See application file for complete search history.

(56) **References Cited**

U.S. PATENT DOCUMENTS

3,494,515 A * 2/1970 Fattori 222/548
D231,616 S * 5/1974 Hildebrant et al. D24/224
D303,627 S * 9/1989 Wilkinson D9/689
4,961,521 A * 10/1990 Eckman 222/142.5
5,494,200 A * 2/1996 Sheffler et al. 222/570 X
5,551,608 A * 9/1996 Moore et al. 222/562 X
D411,409 S * 6/1999 Wallays et al. D7/392
D428,816 S * 8/2000 Shiokawa et al. D9/529 X

6,116,469 A * 9/2000 Wallays et al. 222/565 X
6,187,350 B1 * 2/2001 Gallart et al. 426/91
D455,963 S * 4/2002 Schmitt D9/516
D468,164 S * 1/2003 Gerenraich D9/435 X
D468,165 S * 1/2003 Gerenraich D9/435 X
D498,382 S * 11/2004 Davis D7/300.1
D498,966 S * 11/2004 Fiedeler et al. D7/300.1
D512,918 S * 12/2005 Ruiz D9/540 X
D513,185 S * 12/2005 Ruiz D1/105 X
D513,187 S * 12/2005 Ruiz D9/540
D513,916 S * 1/2006 Namee D7/300.1
D516,430 S * 3/2006 Ruiz D9/504

OTHER PUBLICATIONS

U.S. Appl. No. 29/193,454, filed Nov. 12, 2003.

U.S. Appl. No. 29/193,453, filed Nov. 12, 2003.

* cited by examiner

Primary Examiner—Carol Rademaker

(74) *Attorney, Agent, or Firm*—Arent Fox PLLC

(57) **CLAIM**

The ornamental design for a container, substantially as shown and described.

DESCRIPTION

FIG. 1 is a perspective view of the container, showing my new design;

FIG. 2 is an exploded view of the container;

FIG. 3 is a front elevational view thereof;

FIG. 4 is a left side elevational view thereof, the right side elevational view being a mirror image;

FIG. 5 is a top plan view thereof; and,

FIG. 6 is a bottom plan view thereof.

1 Claim, 3 Drawing Sheets

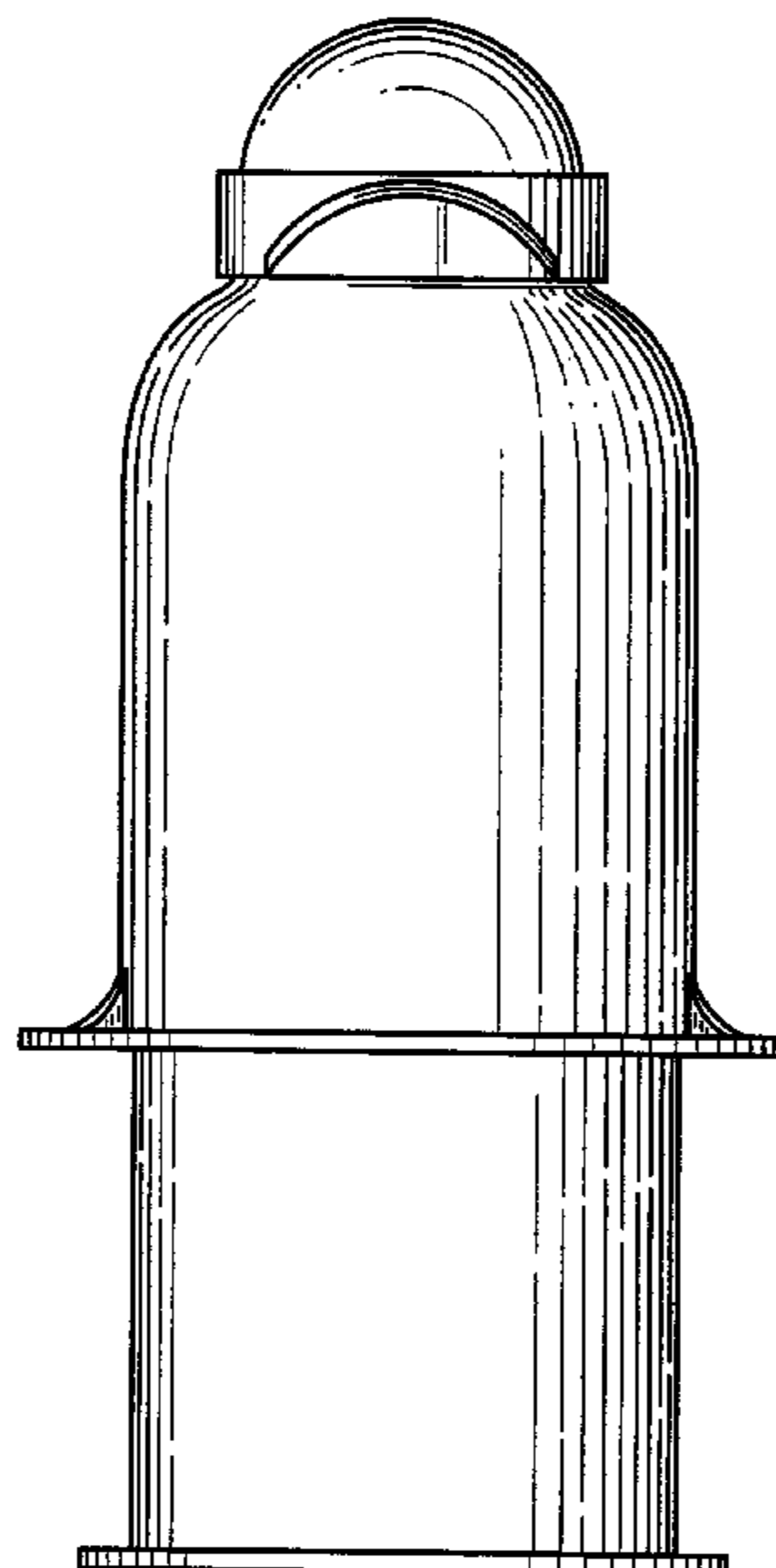
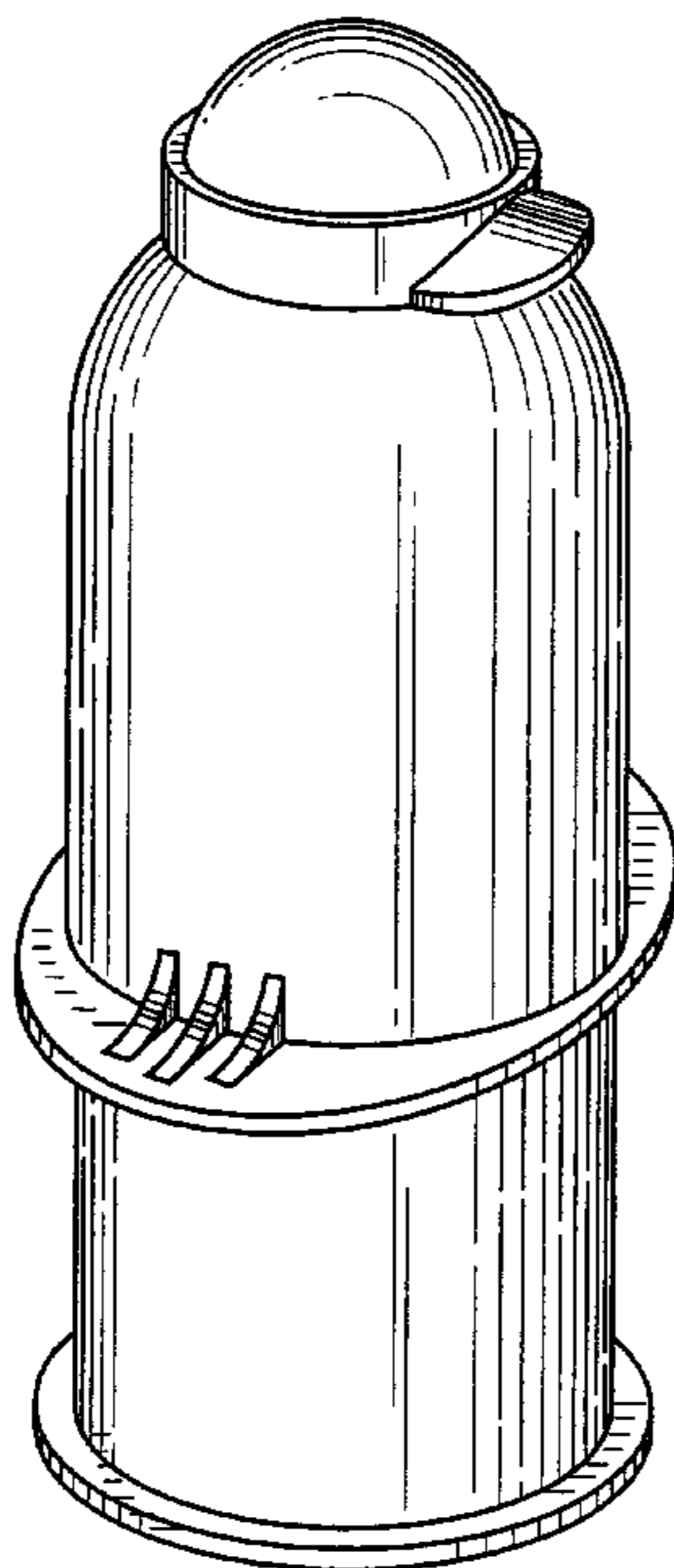


FIG. 1

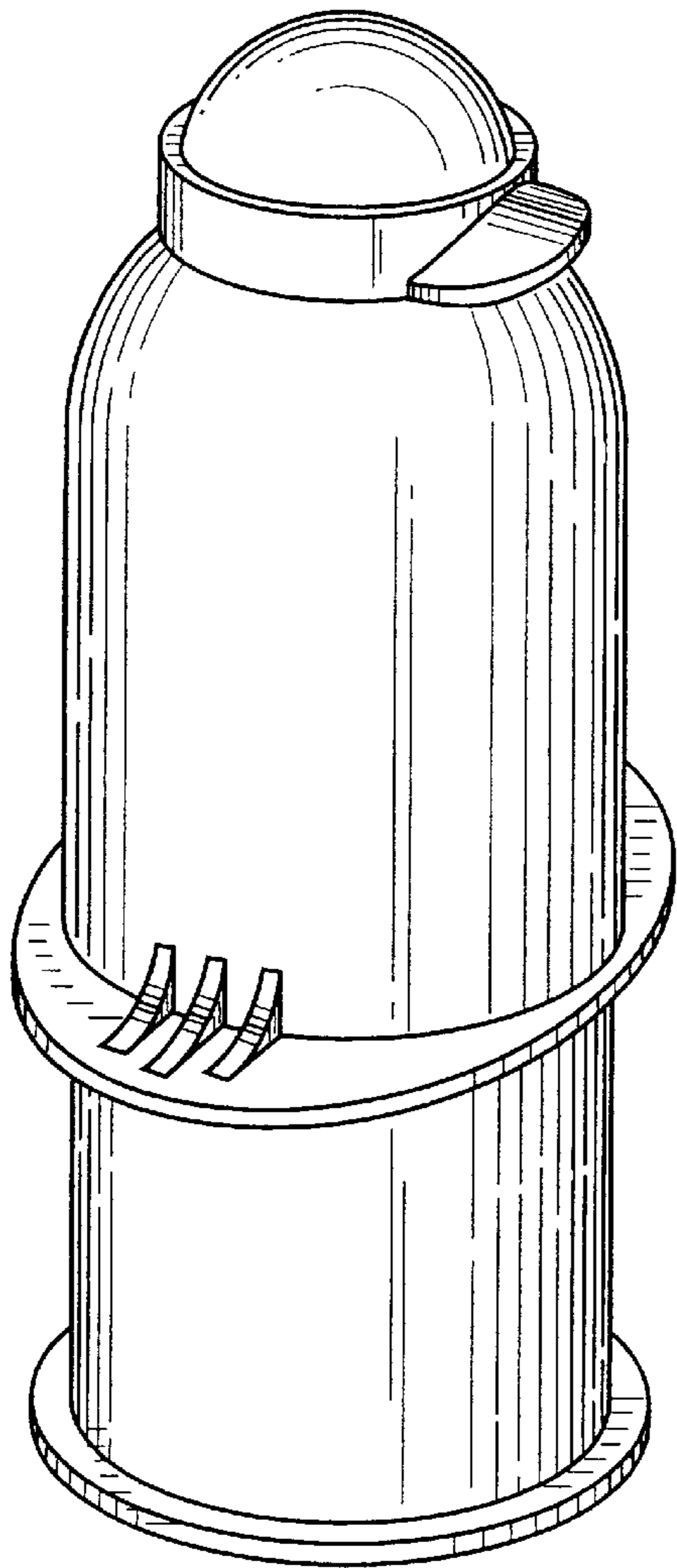


FIG. 2

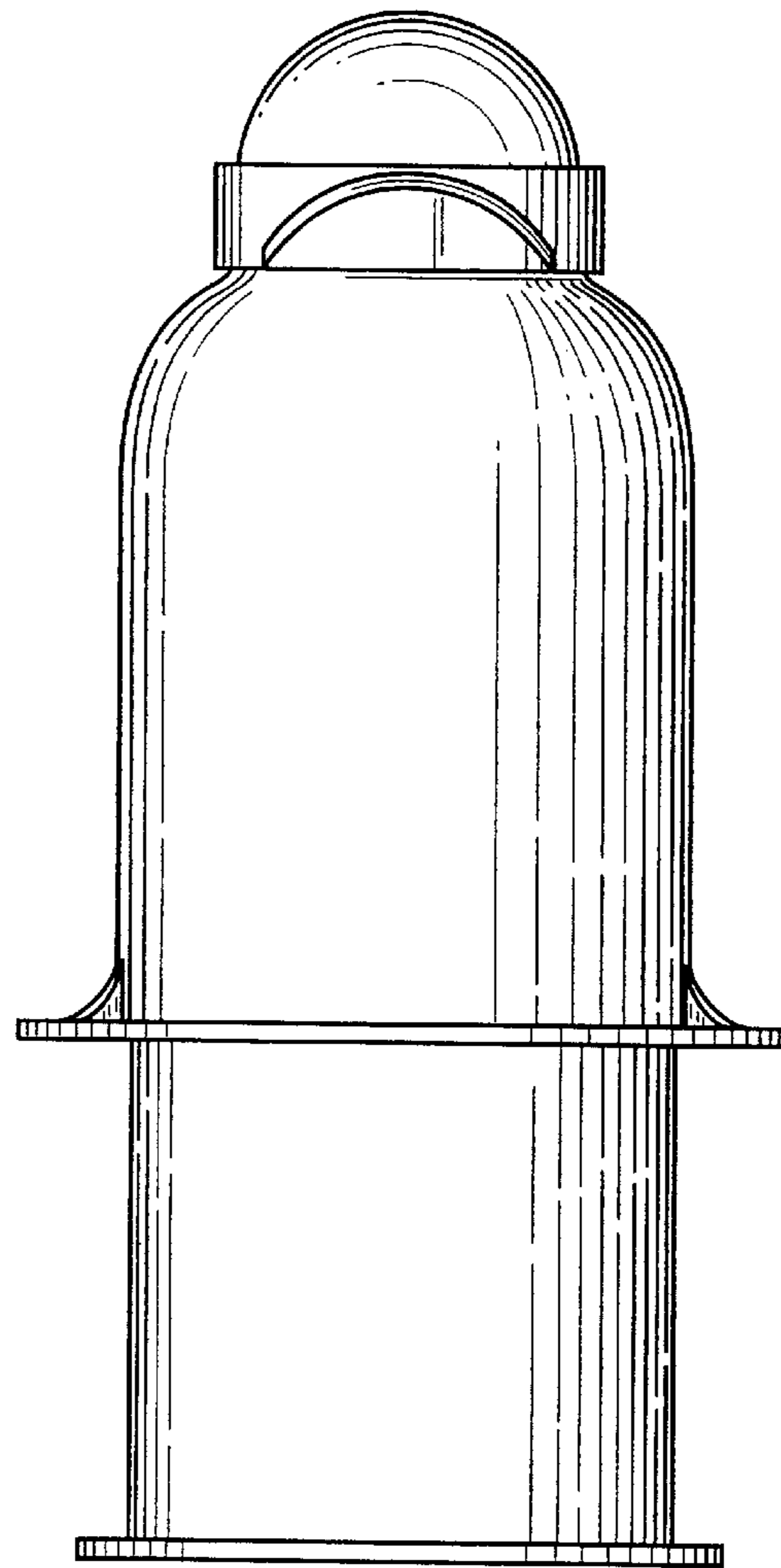


FIG. 3

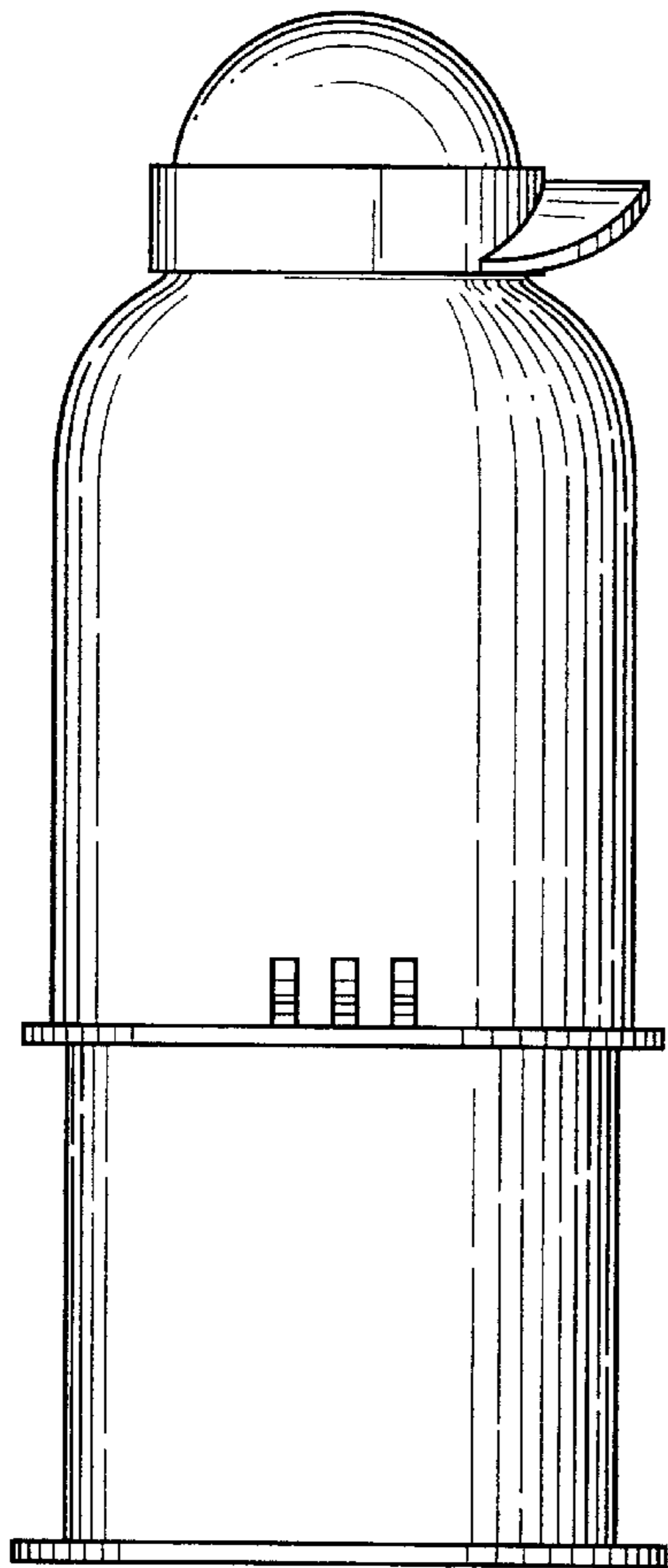


FIG. 4

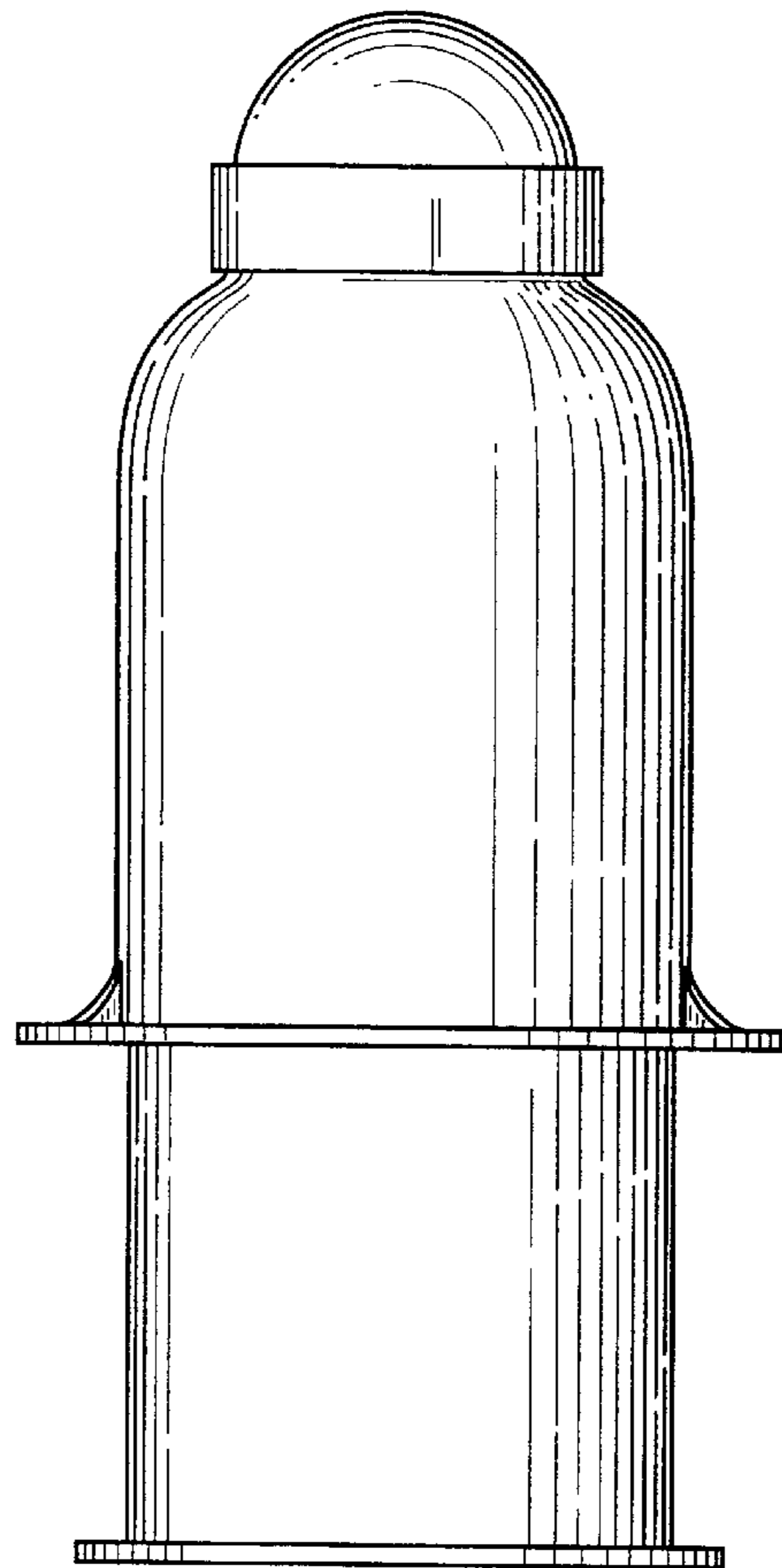


FIG. 5

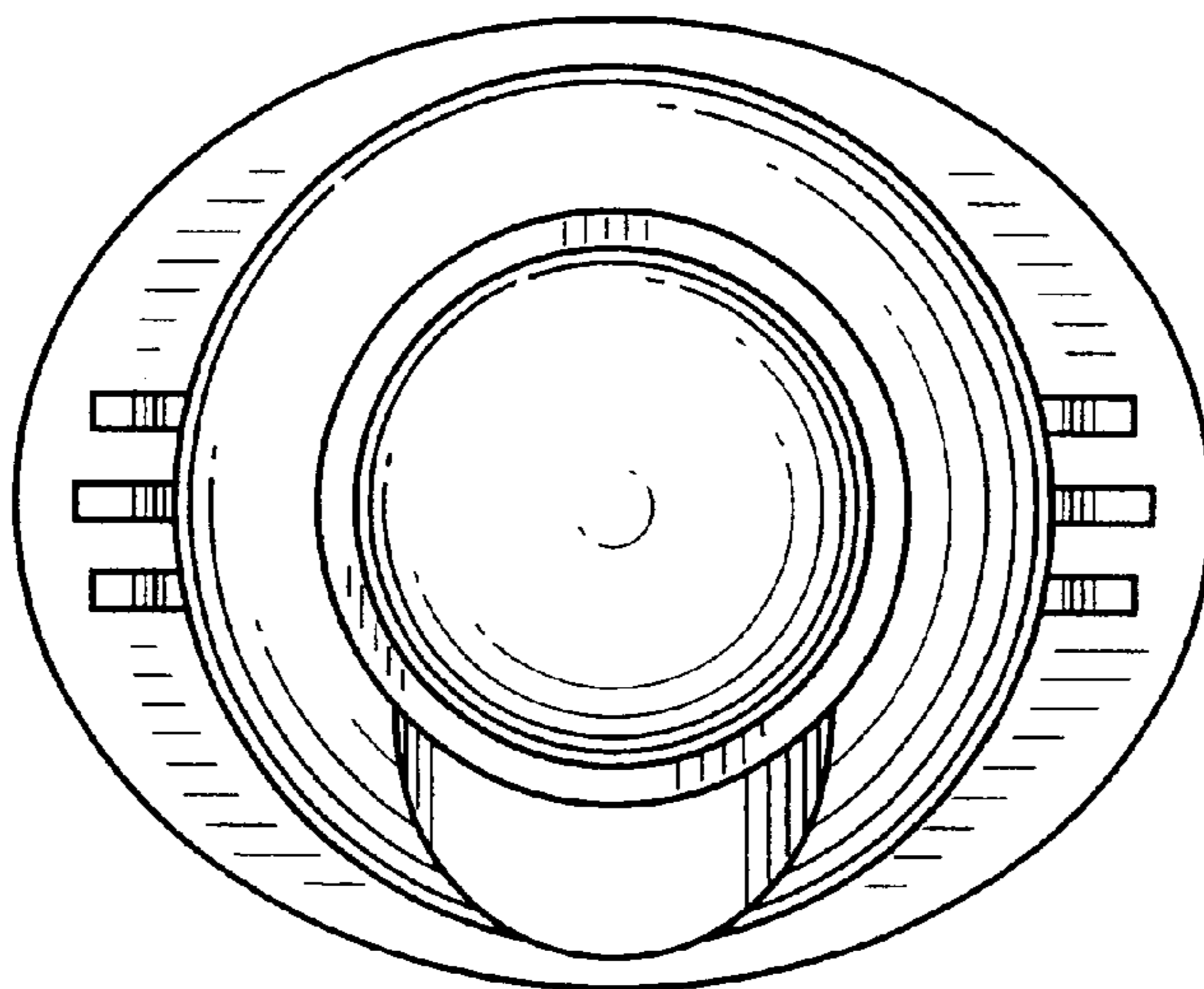


FIG. 6

