



US00D539150S

(12) **United States Design Patent**
Leoncavallo et al.

(10) **Patent No.: US D539,150 S**
(45) **Date of Patent: ** Mar. 27, 2007**

(54) **FLASK**
(75) Inventors: **Richard A. Leoncavallo**, Niagara Falls, NY (US); **Peter K. Baird**, Honeoye Falls, NY (US)
(73) Assignee: **Nalge Nunc International**, Rochester, NY (US)
(**) Term: **14 Years**

(21) Appl. No.: **29/222,492**
(22) Filed: **Jan. 31, 2005**

(51) **LOC (8) Cl.** **09-01**
(52) **U.S. Cl.** **D9/522; D9/571; D9/454**
(58) **Field of Classification Search** D9/414, D9/682, 684, 686-694, 738-747, 516-517, D9/521-522, 524, 529-530, 533, 535, 541, D9/547-549, 559, 561, 569, 575, 454; D3/202; 215/6, 10, 381-385, 12.1; 220/660, 669, 220/675

See application file for complete search history.

(56) **References Cited**

U.S. PATENT DOCUMENTS

52,461 A	2/1866	Stoeckel	73/427
D20,833 S	* 6/1891	Lillard	D9/522
1,073,897 A	9/1913	Goss	215/12.1
1,141,929 A	6/1915	Bruebach	215/12.1
D47,640 S	* 7/1915	Carver	D9/522
1,280,700 A	10/1918	Fouche	141/381
D53,666 S	* 7/1919	Schwidetzky	D9/522
D155,931 S	* 11/1949	Serra	D9/522
D185,432 S	* 6/1959	Goldstein	D9/522
D207,882 S	* 6/1967	Coulthurst	D9/522
D210,501 S	* 3/1968	Brammer	D9/522

4,150,761 A	4/1979	Collins	215/228
D254,596 S	* 4/1980	Spigelman	D9/522
4,230,230 A	10/1980	Mumford	215/321
4,416,381 A	11/1983	Swartwout	215/228
D336,733 S	* 6/1993	Hadtke	D9/522
D340,864 S	* 11/1993	De Rothschild et al.	D9/522
5,299,700 A	4/1994	Beniacar	215/12.1
5,316,193 A	5/1994	Heiberger	222/131
D353,330 S	* 12/1994	Kudo et al.	D9/522
5,529,217 A	6/1996	Siegel	222/131
5,544,769 A	8/1996	Dowler et al.	215/227
5,901,882 A	5/1999	Siegel	222/131
D498,146 S	* 11/2004	Densky et al.	D9/571
D521,230 S	* 5/2006	Linz et al.	D3/202

FOREIGN PATENT DOCUMENTS

GB 2046959 * 8/1995

* cited by examiner

Primary Examiner—Carol Rademaker
(74) *Attorney, Agent, or Firm*—Wood, Herron & Evans, LLP

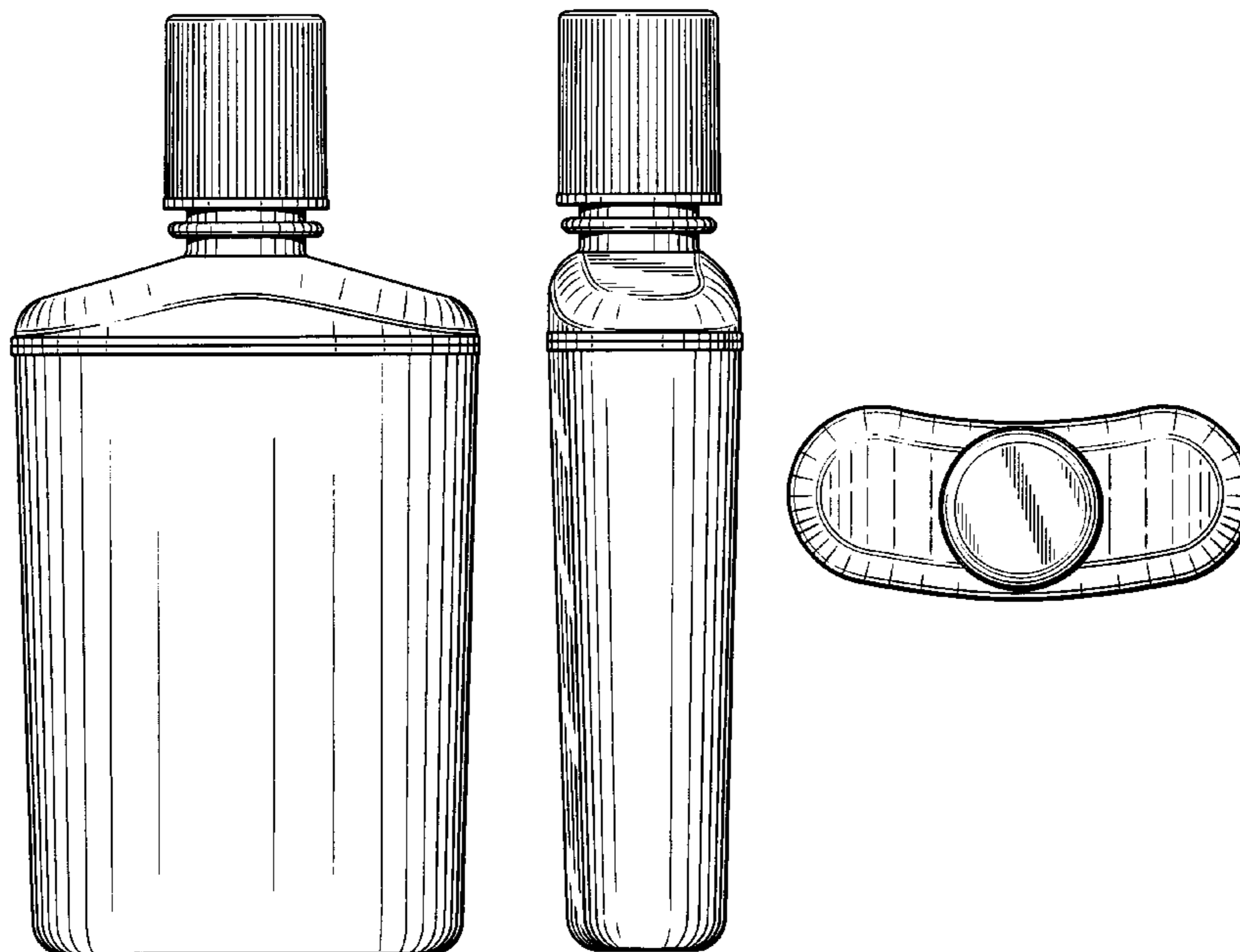
(57) **CLAIM**

The ornamental design for a flask, as shown and described.

DESCRIPTION

FIG. 1 is a perspective view of the front, left side, and top of a flask incorporating our new invention; FIG. 2 is a front elevational view thereof; FIG. 3 is a right side elevational view thereof; FIG. 4 is a rear elevational view thereof; FIG. 5 is a left side elevational view thereof; FIG. 6 is a top plan view thereof; and, FIG. 7 is a bottom plan view thereof.

1 Claim, 2 Drawing Sheets



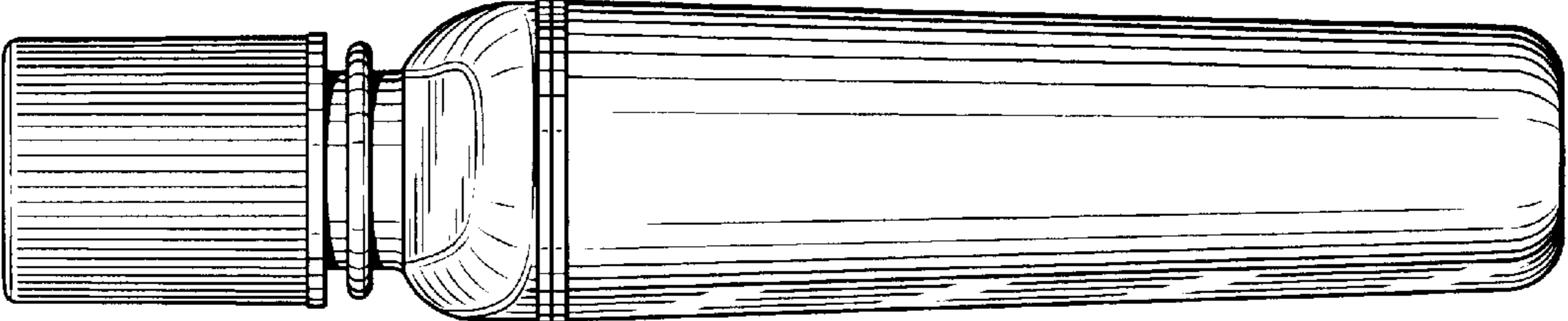


FIG. 3

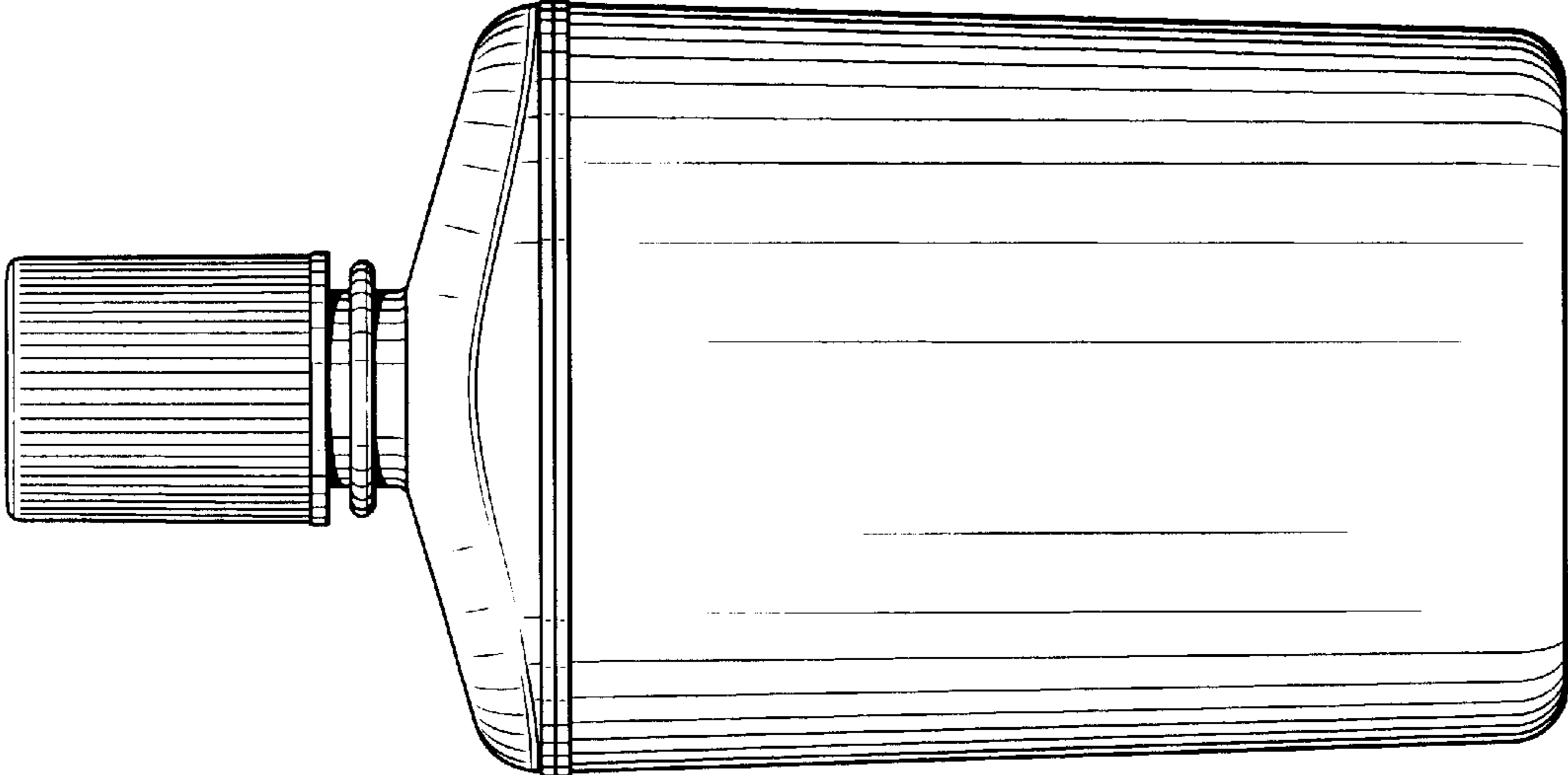


FIG. 2

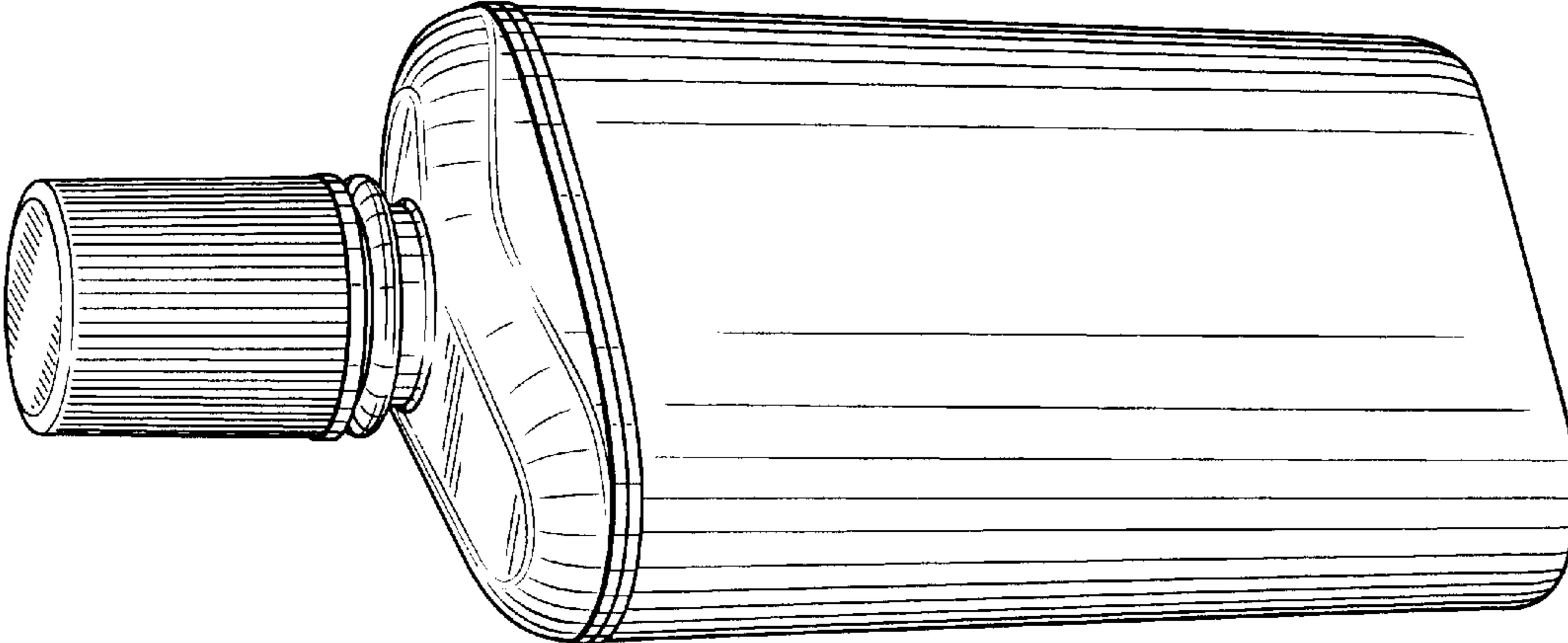


FIG. 1

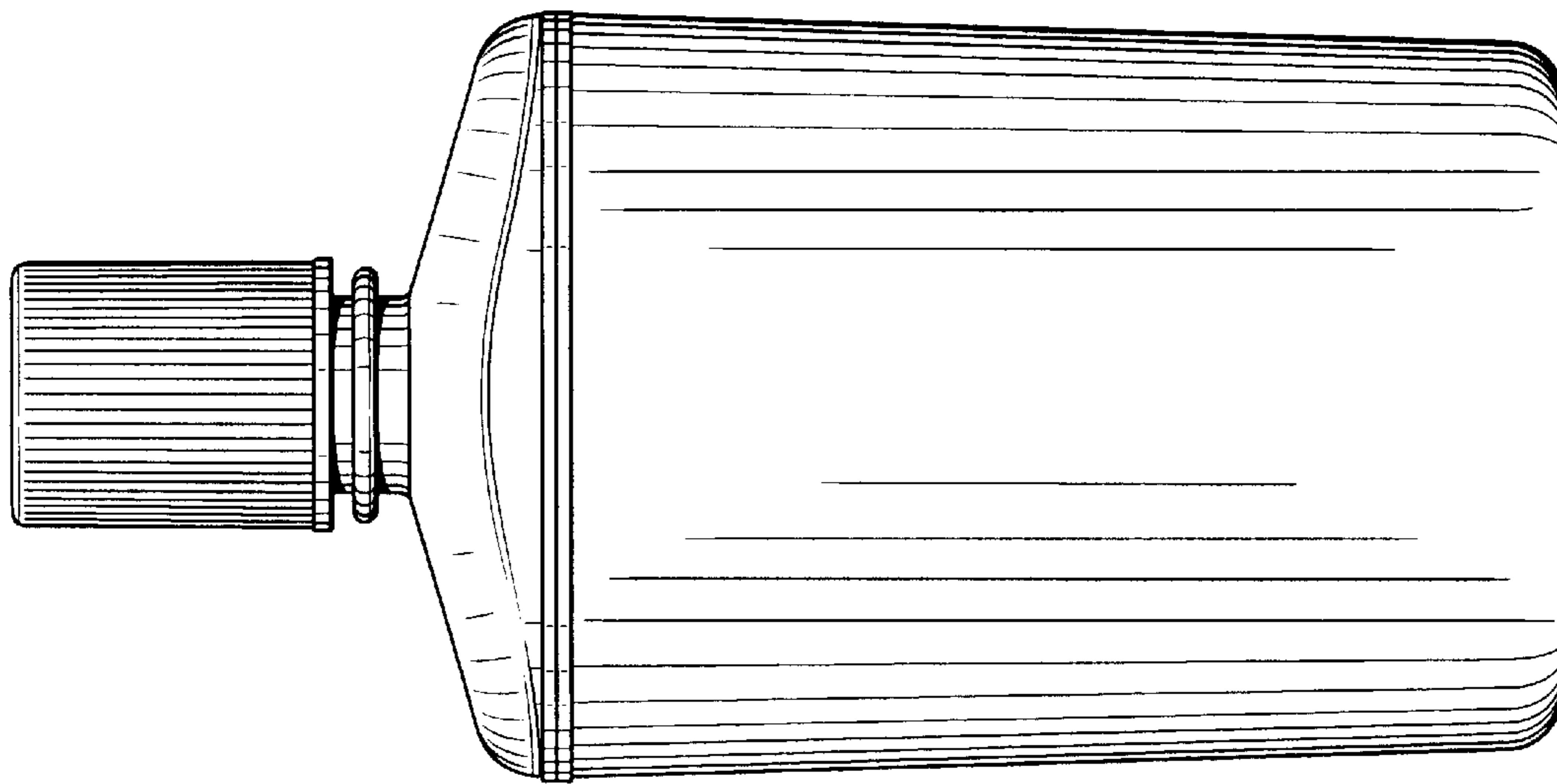


FIG. 4

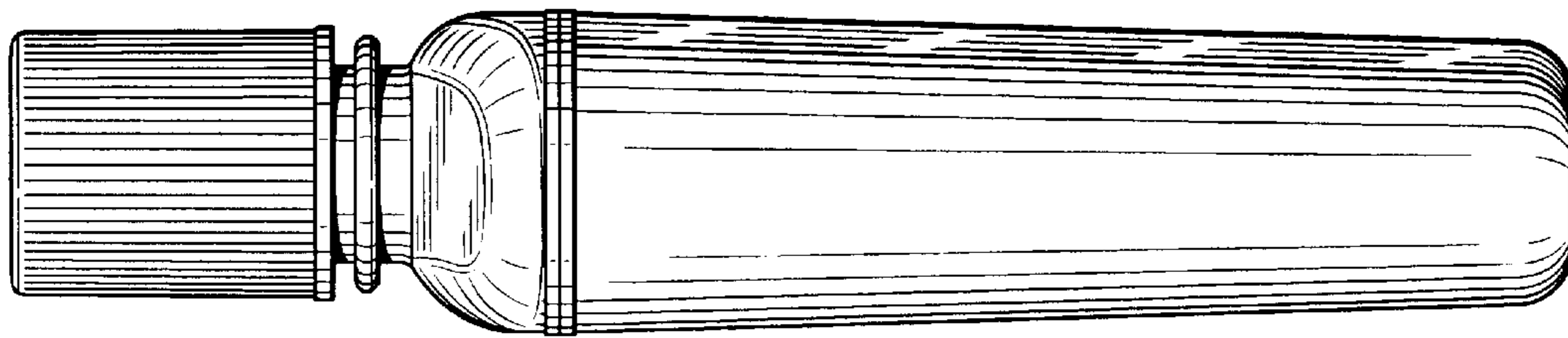


FIG. 5

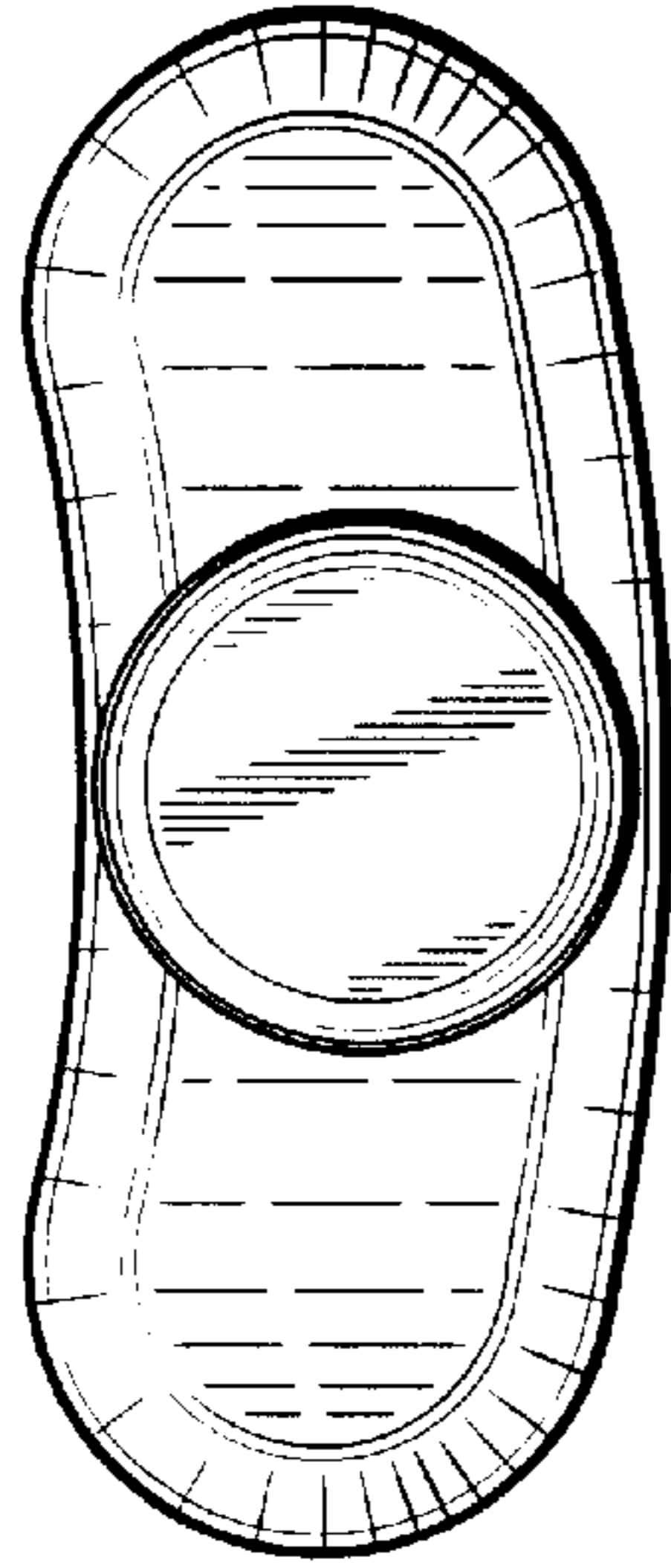


FIG. 6

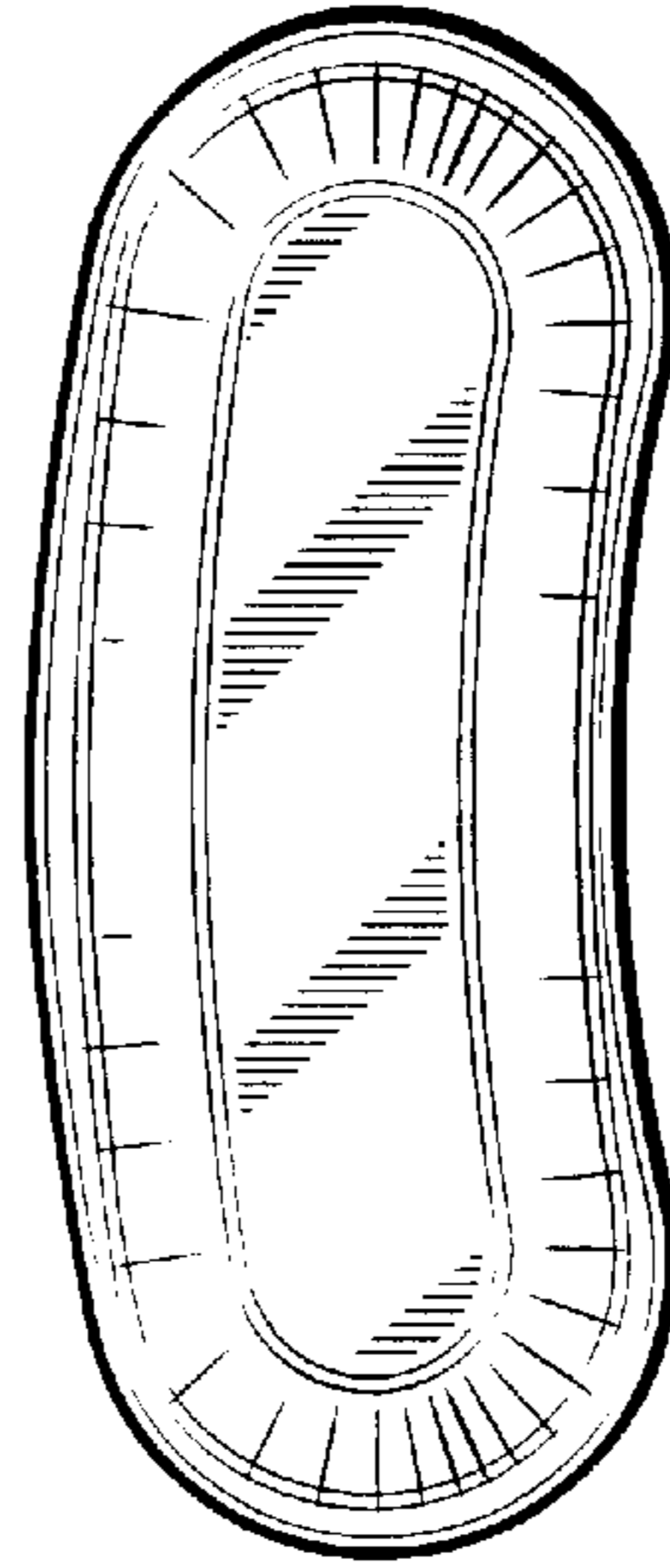


FIG. 7