



US00D539145S

(12) **United States Design Patent**  
**Carlson et al.**

(10) **Patent No.:** **US D539,145 S**  
(45) **Date of Patent:** **\*\* Mar. 27, 2007**

(54) **DESKTOP DISPENSER HOLDER**  
(75) Inventors: **Jess P. Carlson**, Bay Village, OH (US);  
**David M. Pehar**, Willoughby, OH  
(US); **Robert H. Yeager**, Twinsburg,  
OH (US)

(73) Assignee: **Gojo Industries, Inc.**, Akron, OH (US)  
(\*\*) Term: **14 Years**

(21) Appl. No.: **29/259,781**  
(22) Filed: **May 16, 2006**

(51) **LOC (8) Cl.** ..... **09-07**  
(52) **U.S. Cl.** ..... **D9/456**  
(58) **Field of Classification Search** ..... D9/455,  
D9/434, 414, 456; D6/536, 532, 529; D3/901;  
D19/75; 206/63.5, 581, 576, 557, 307, 449,  
206/456, 562, 486-490, 564, 371, 229, 210,  
206/205

See application file for complete search history.

(56) **References Cited**

**U.S. PATENT DOCUMENTS**

1,659,315 A \* 2/1928 Dailey ..... 206/63.5  
D130,224 S \* 11/1941 Guttman ..... D9/455  
D207,808 S \* 5/1967 Coulthurst ..... D9/455  
D424,443 S \* 5/2000 Panetti ..... D9/455  
D434,600 S \* 12/2000 Garcia et al. .... D7/397

D469,692 S \* 2/2003 Meeker et al. .... D9/432  
D508,595 S \* 8/2005 Reiter ..... D34/6  
2006/0180494 A1 \* 8/2006 Avery ..... 206/557

\* cited by examiner

*Primary Examiner*—Robert M. Spear  
*Assistant Examiner*—Susan Bennett Hattan  
(74) *Attorney, Agent, or Firm*—Renner, Kenner, Greive,  
Bobak, Taylor & Weber

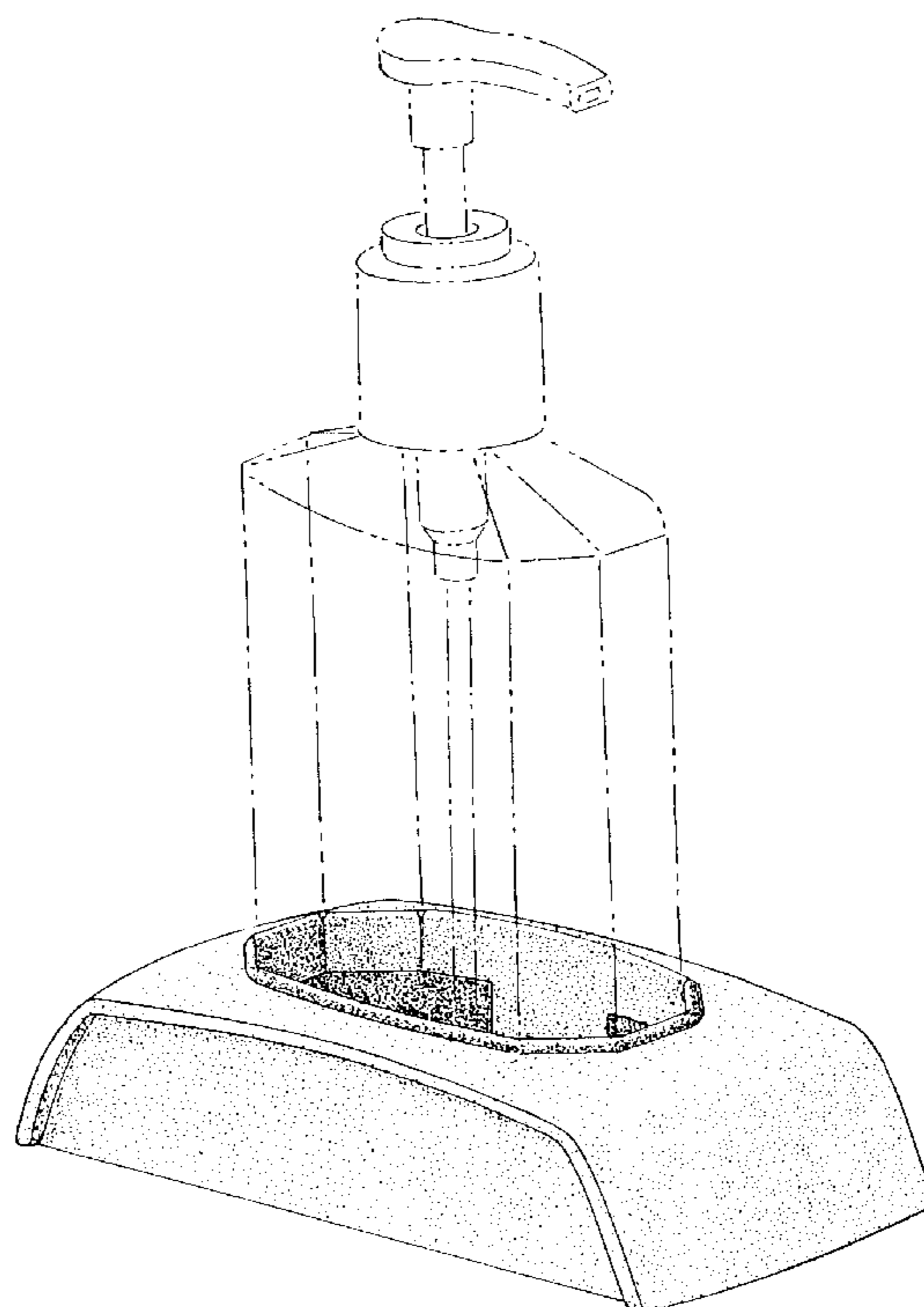
(57) **CLAIM**

The ornamental design for a desktop dispenser holder, as shown and described.

**DESCRIPTION**

FIG. 1 is a perspective view of a new design for a desktop dispenser holder;  
FIG. 2 is an end elevational view of the desktop dispenser holder shown in FIG. 1;  
FIG. 3 is a side elevational view of the desktop dispenser holder shown in FIG. 1;  
FIG. 4 is a top view;  
FIG. 5 is a bottom view; and,  
FIG. 6 is a perspective view showing the desktop dispenser holder without a bottle held therein.  
The broken line showing of a dispenser is included for illustrative purposes only and forms no part of the claimed design.

**1 Claim, 4 Drawing Sheets**



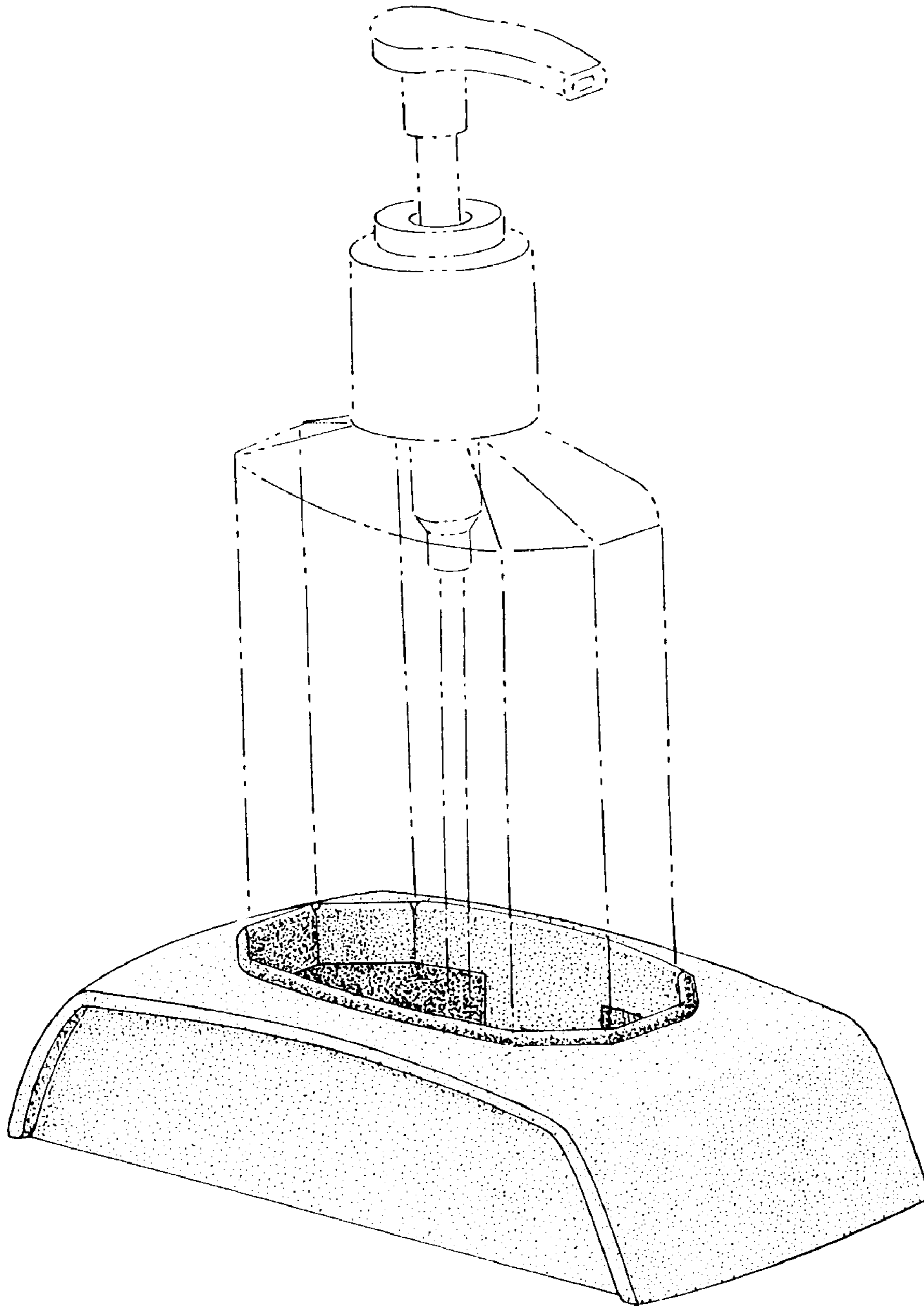


FIG. - I

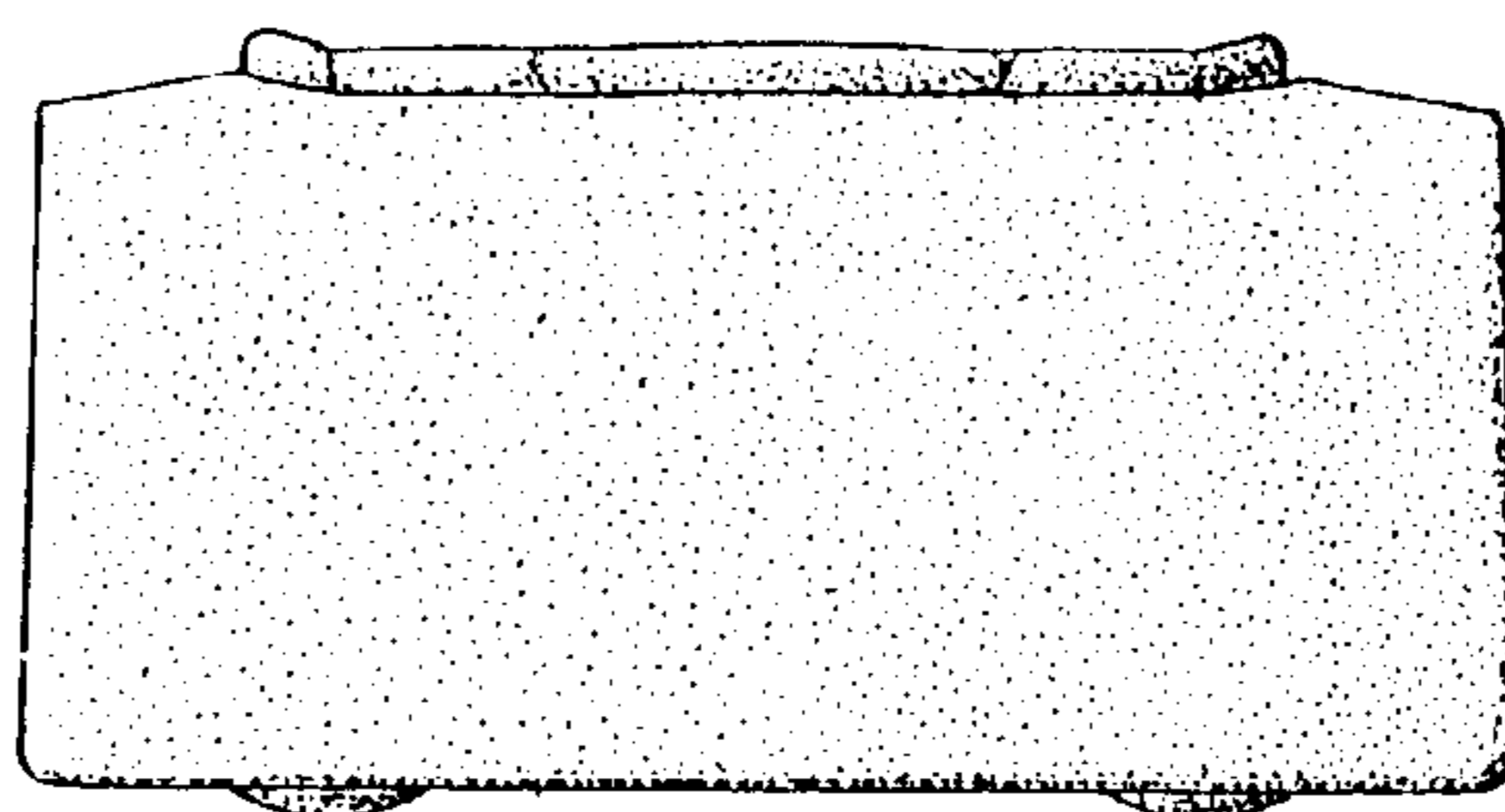


FIG. - 2

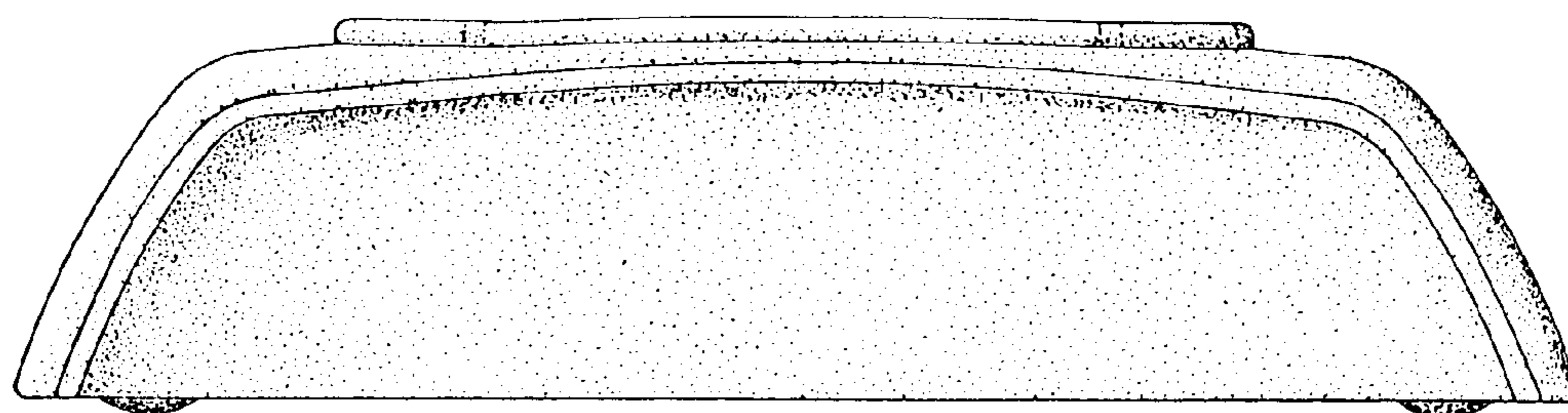


FIG. - 3

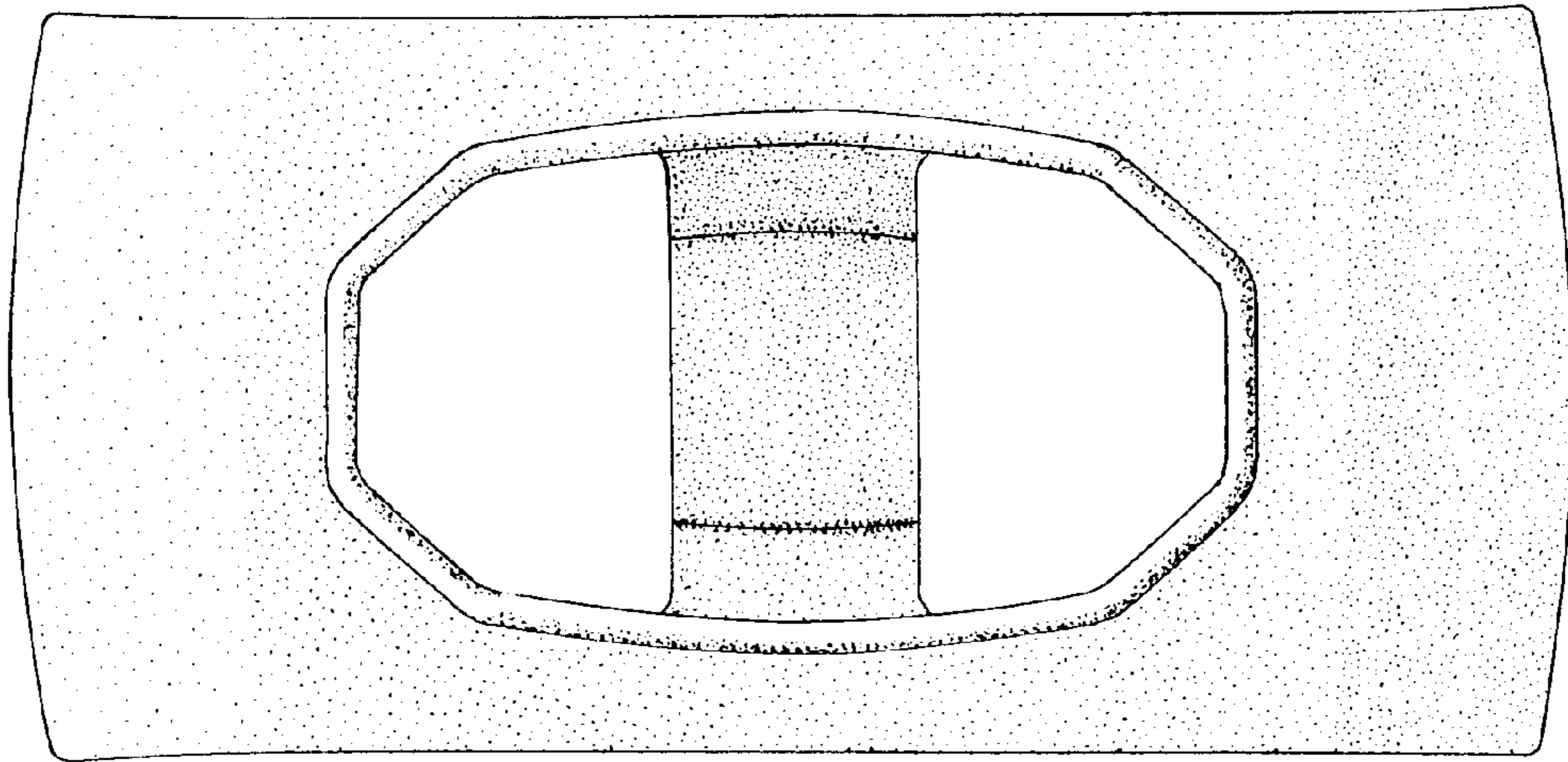


FIG. - 4

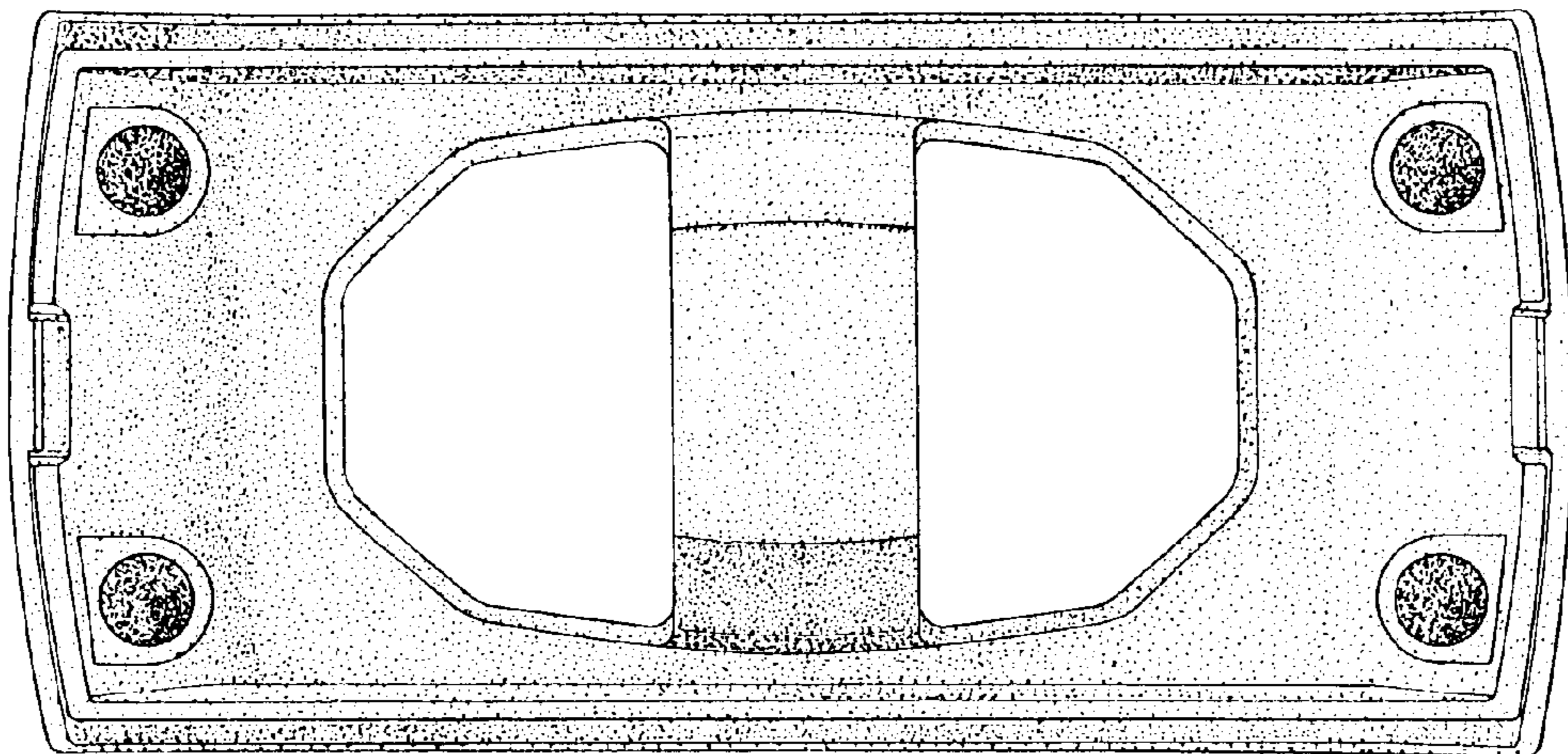


FIG. - 5

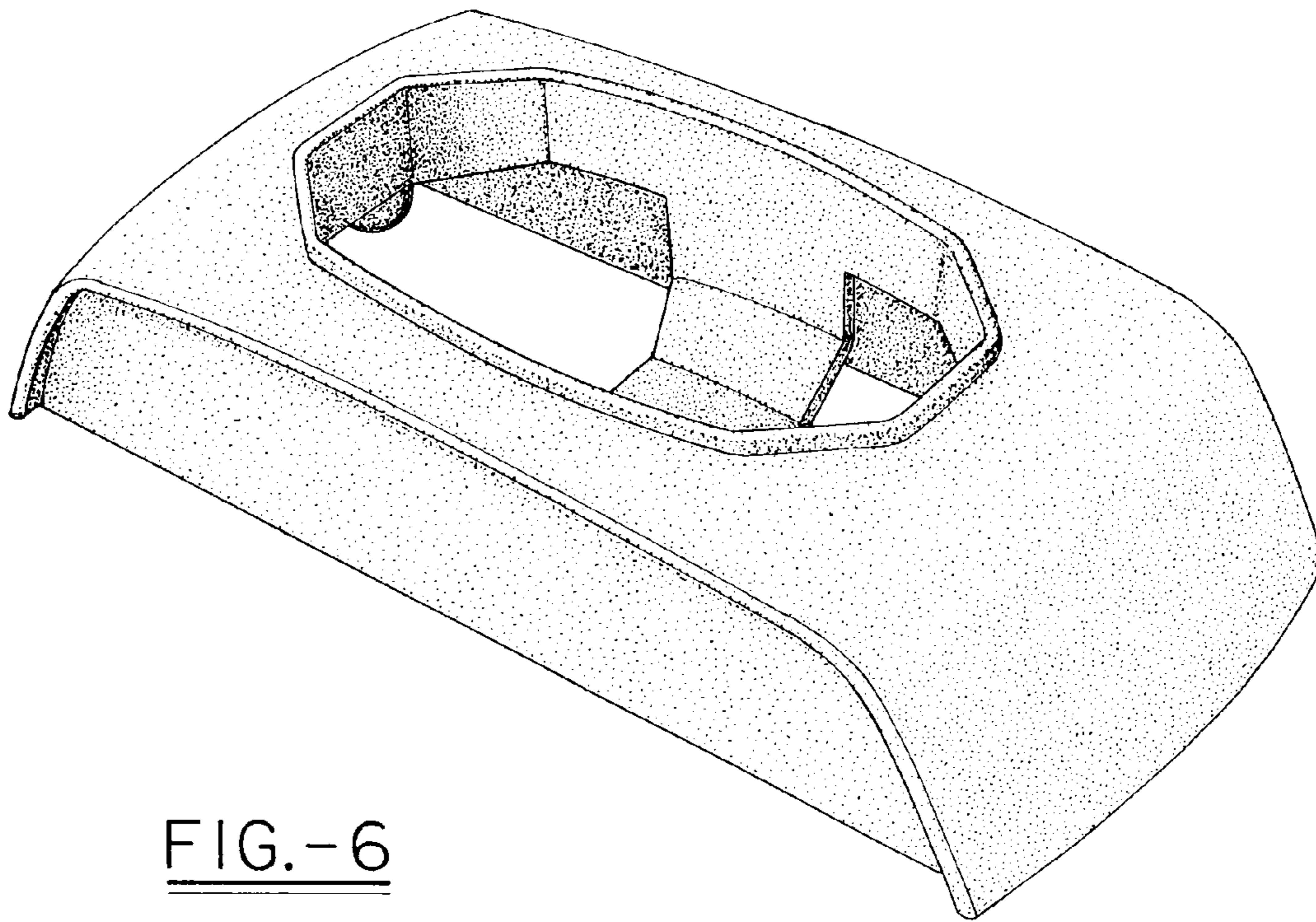


FIG.-6