



US00D539141S

(12) **United States Design Patent**
Penfold et al.

(10) **Patent No.:** **US D539,141 S**

(45) **Date of Patent:** **** Mar. 27, 2007**

(54) **CAP FOR TUBE**

D520,873 S * 5/2006 Lovell D9/449
D525,136 S * 7/2006 Bakic D9/522
D528,903 S * 9/2006 Alitowski D8/395

(75) Inventors: **Christopher Michael Penfold**,
Nottingham (GB); **Martin Christopher**
Bunce, Pewsey (GB)

* cited by examiner

(73) Assignee: **Reckitt & Colman (overseas) Limited**,
Berkshire (GB)

Primary Examiner—Robert M. Spear

Assistant Examiner—Susan Bennett Hattan

(**) Term: **14 Years**

(74) *Attorney, Agent, or Firm*—Rothwell, Figg, Ernst &
Manbeck, P.C.

(21) Appl. No.: **29/252,602**

(22) Filed: **Jan. 26, 2006**

(57) **CLAIM**

The ornamental design for a cap for tube, as shown and
described.

(30) **Foreign Application Priority Data**

Jul. 27, 2005 (EM) 000378625

DESCRIPTION

(51) **LOC (8) Cl.** **09-07**

(52) **U.S. Cl.** **D9/442; D9/449; D9/454**

(58) **Field of Classification Search** D9/695,
D9/455, 453, 449, 447, 446, 442, 435, 434,
D9/420; D7/900, 511, 510; 220/837, 833,
220/283, 281, 254.7, 254.3

FIG. 1 is a perspective view of the cap for tube of the present
invention;

FIG. 2 is a front view;

FIG. 3 is a rear view;

FIG. 4 is a left side view;

FIG. 5 is a right side view;

FIG. 6 is a top view;

FIG. 7 is a bottom view, the broken lines showing of the
inside of the cap being for illustrative purposes only and
forming no part of the claimed design; and,

FIG. 8 is a perspective view of the tube cap shown attached
to a tube. The broken lines showing of the tube is for
illustrative purposes only and forms no part of the claimed
design.

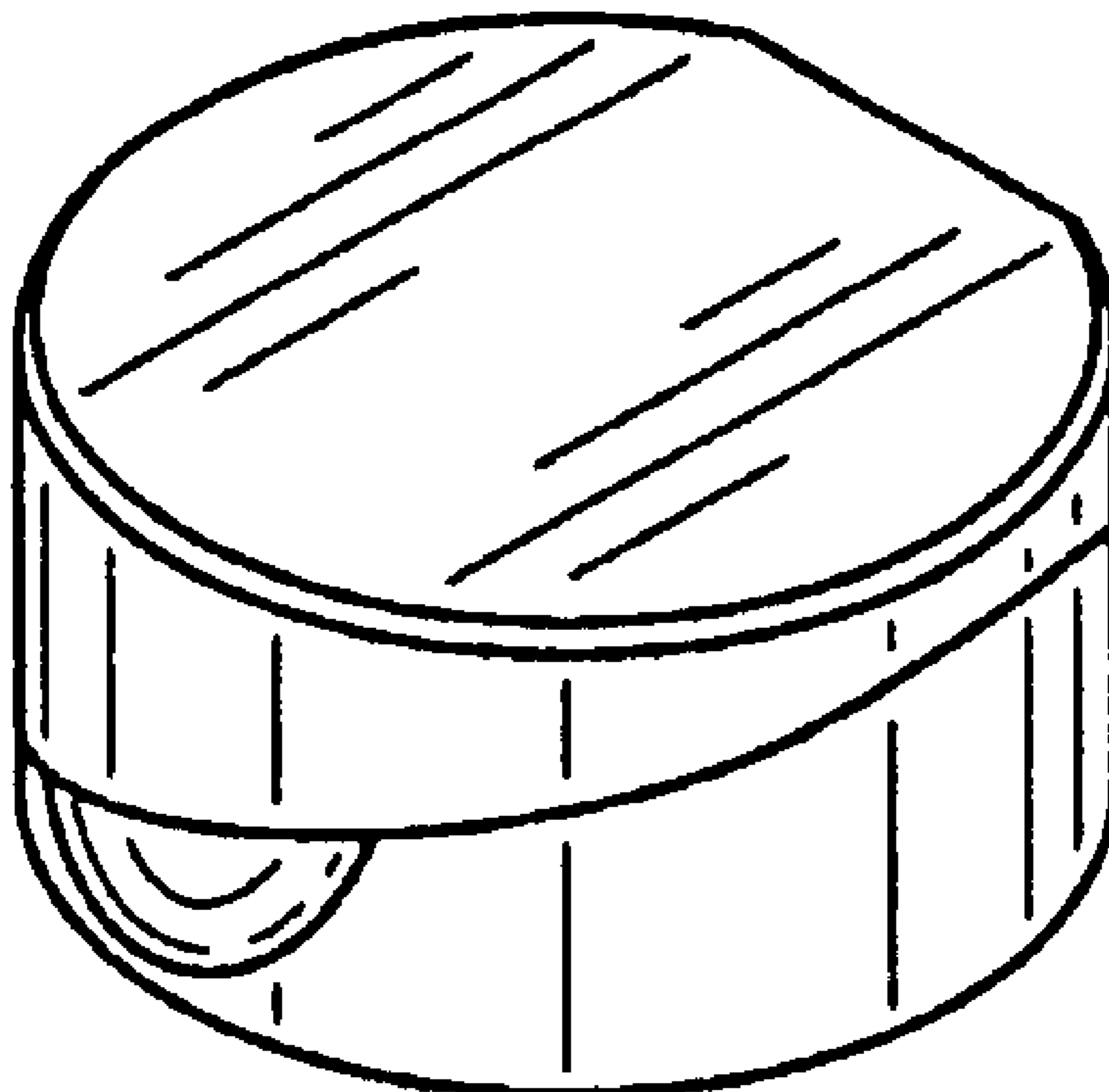
See application file for complete search history.

(56) **References Cited**

U.S. PATENT DOCUMENTS

D358,760 S * 5/1995 Sherman et al. D9/697
D370,845 S * 6/1996 Sherman et al. D9/438
D374,399 S * 10/1996 Neveras et al. D9/447

1 Claim, 2 Drawing Sheets



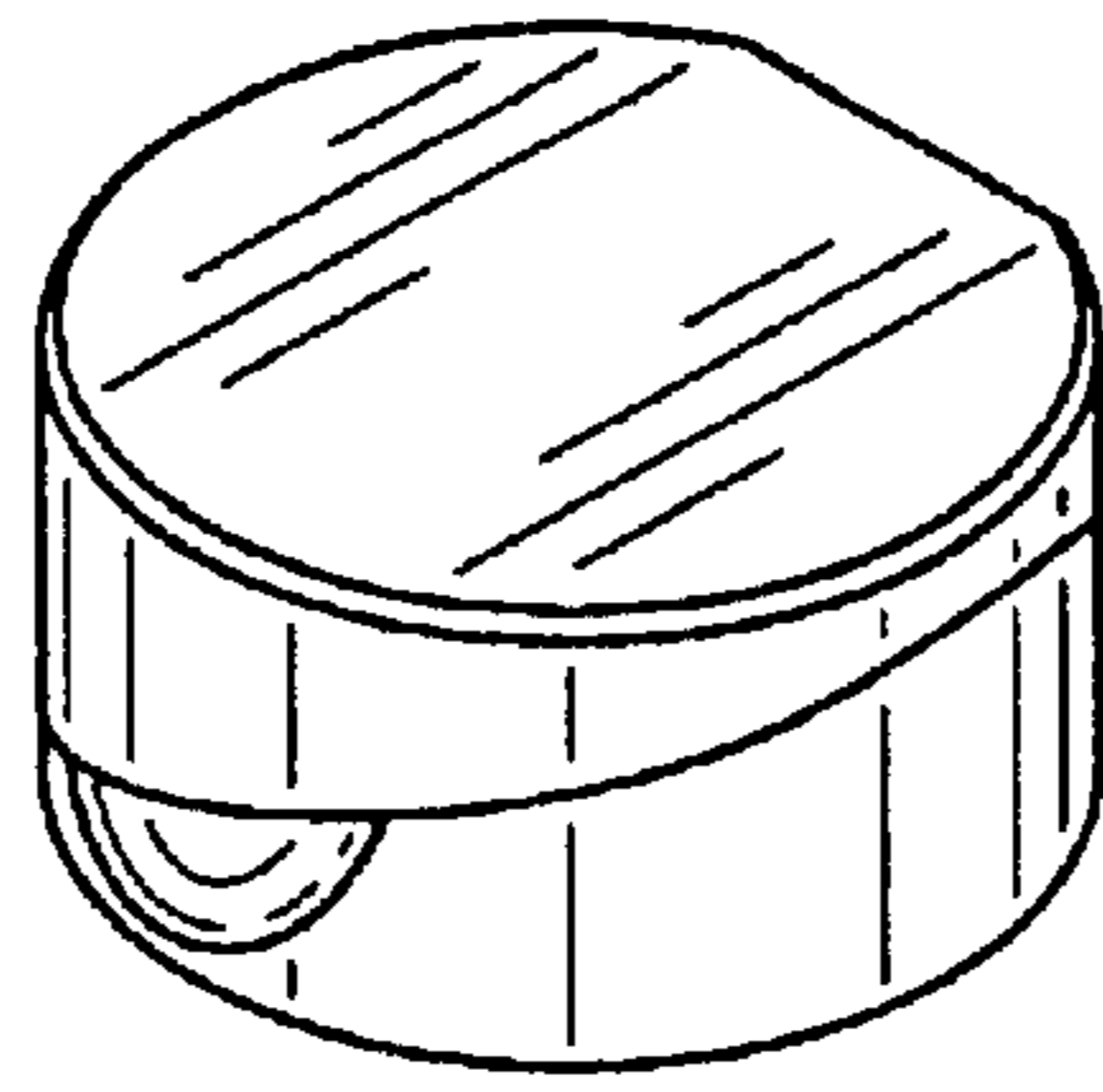


Fig. 1

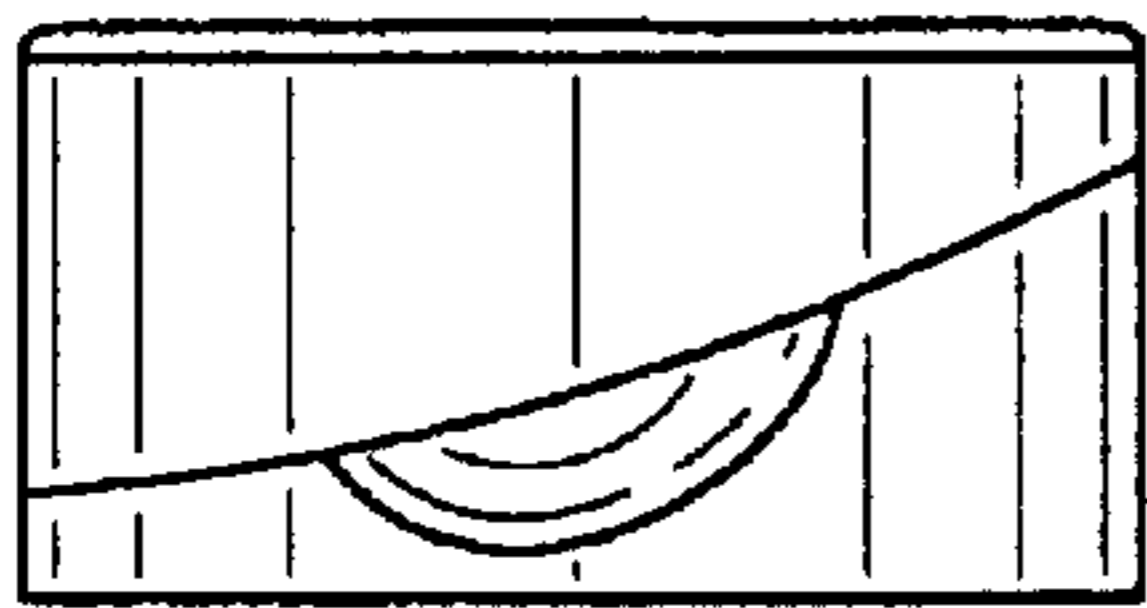


Fig. 2

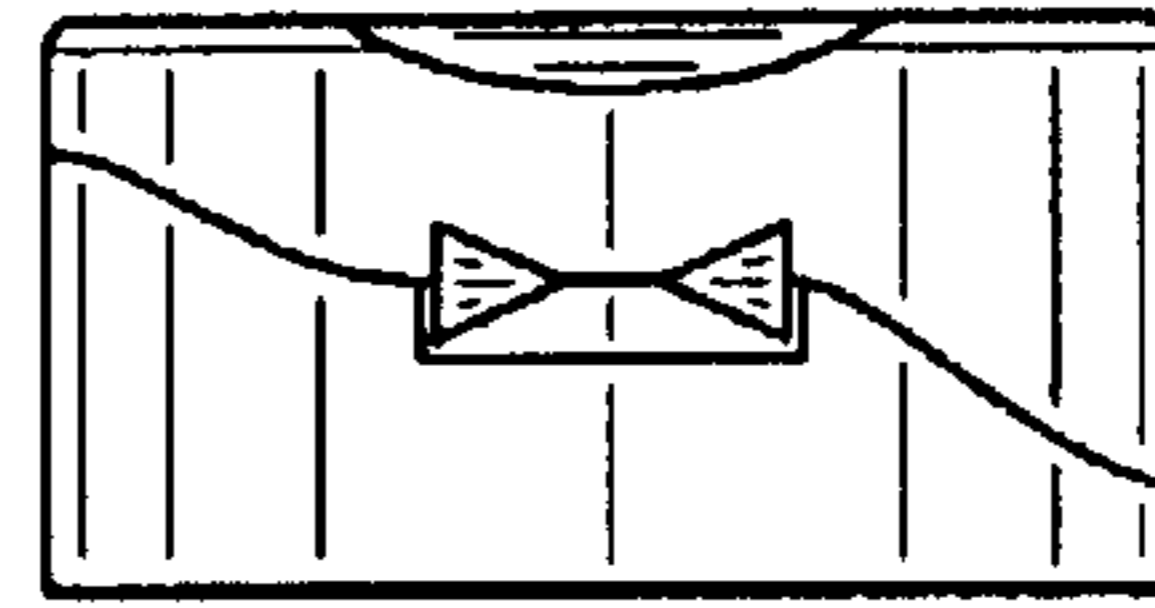


Fig. 3

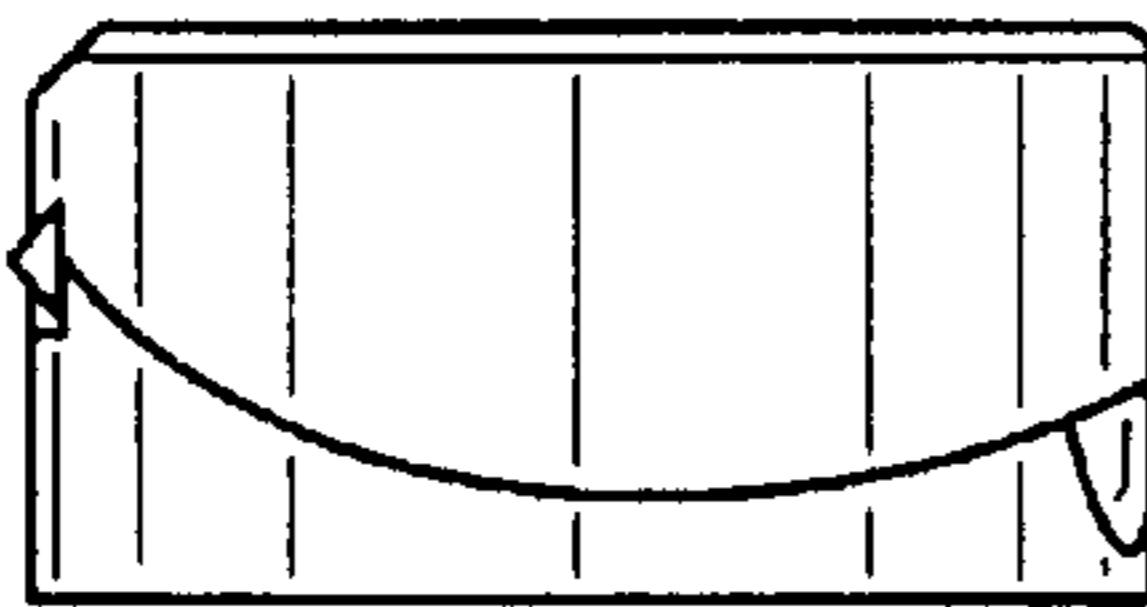


Fig. 4

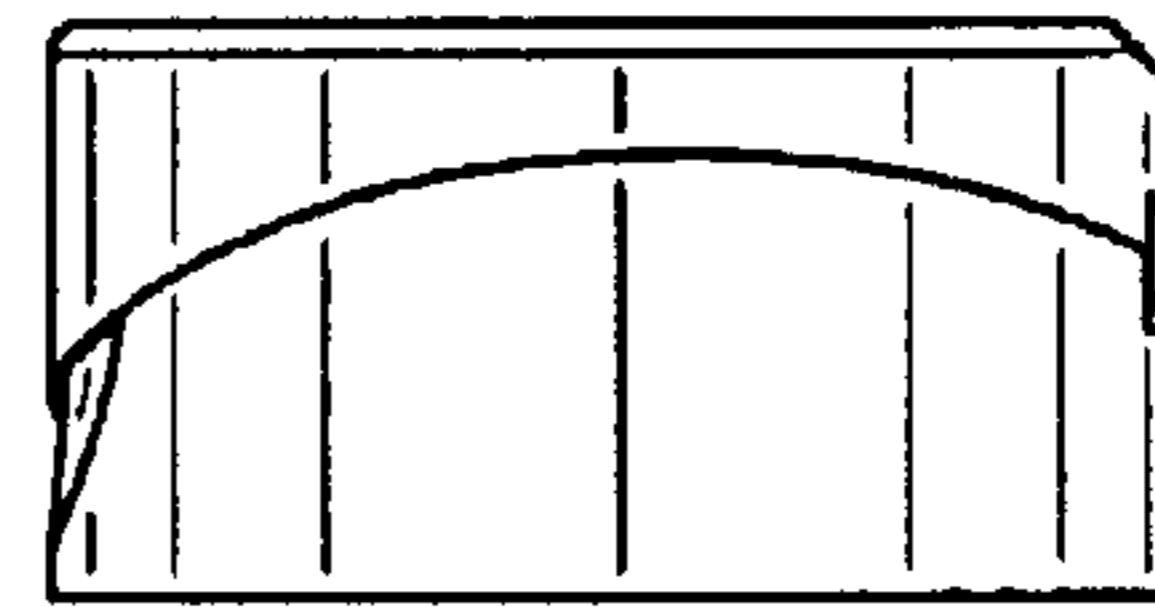


Fig. 5

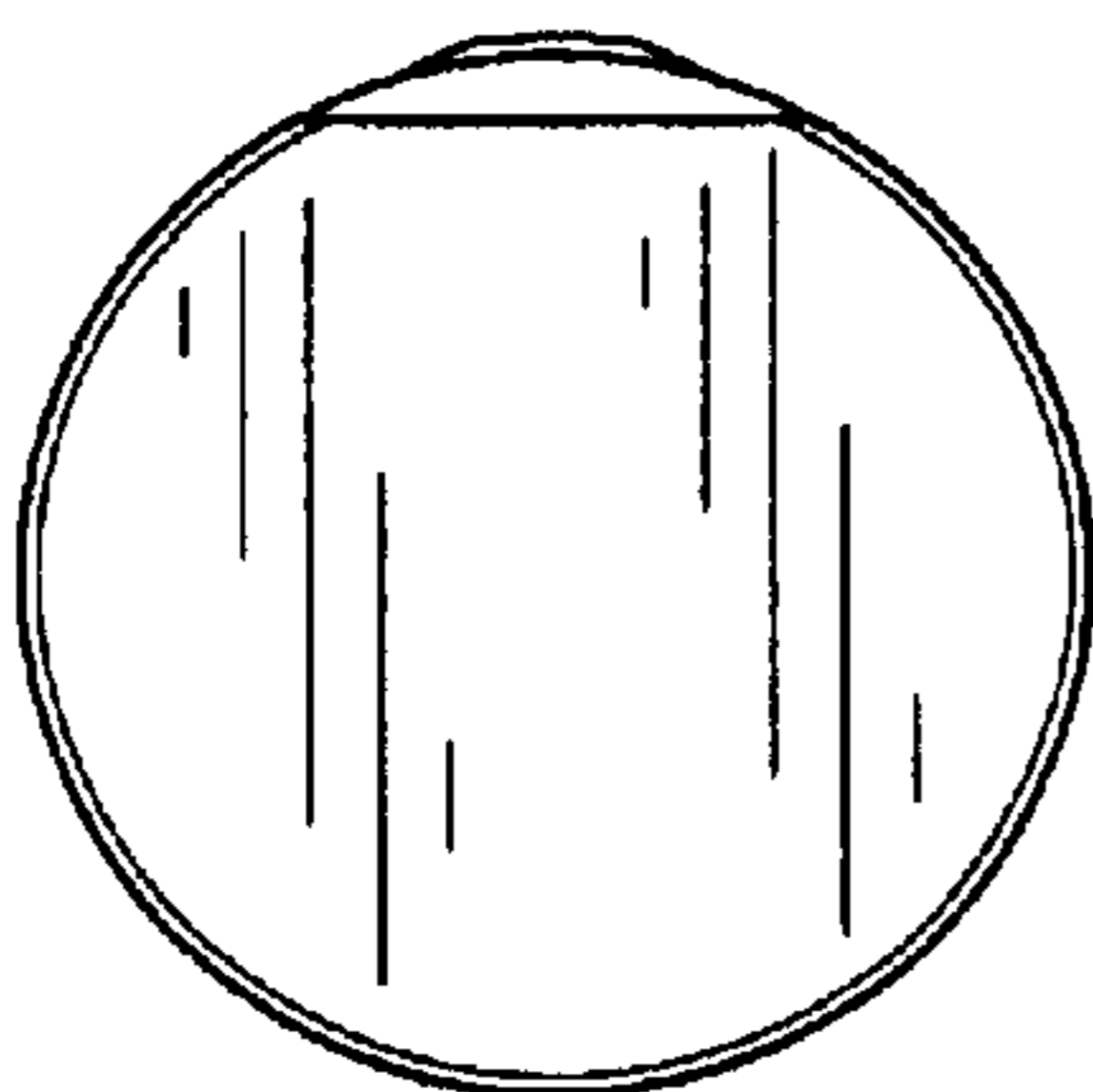


Fig. 6

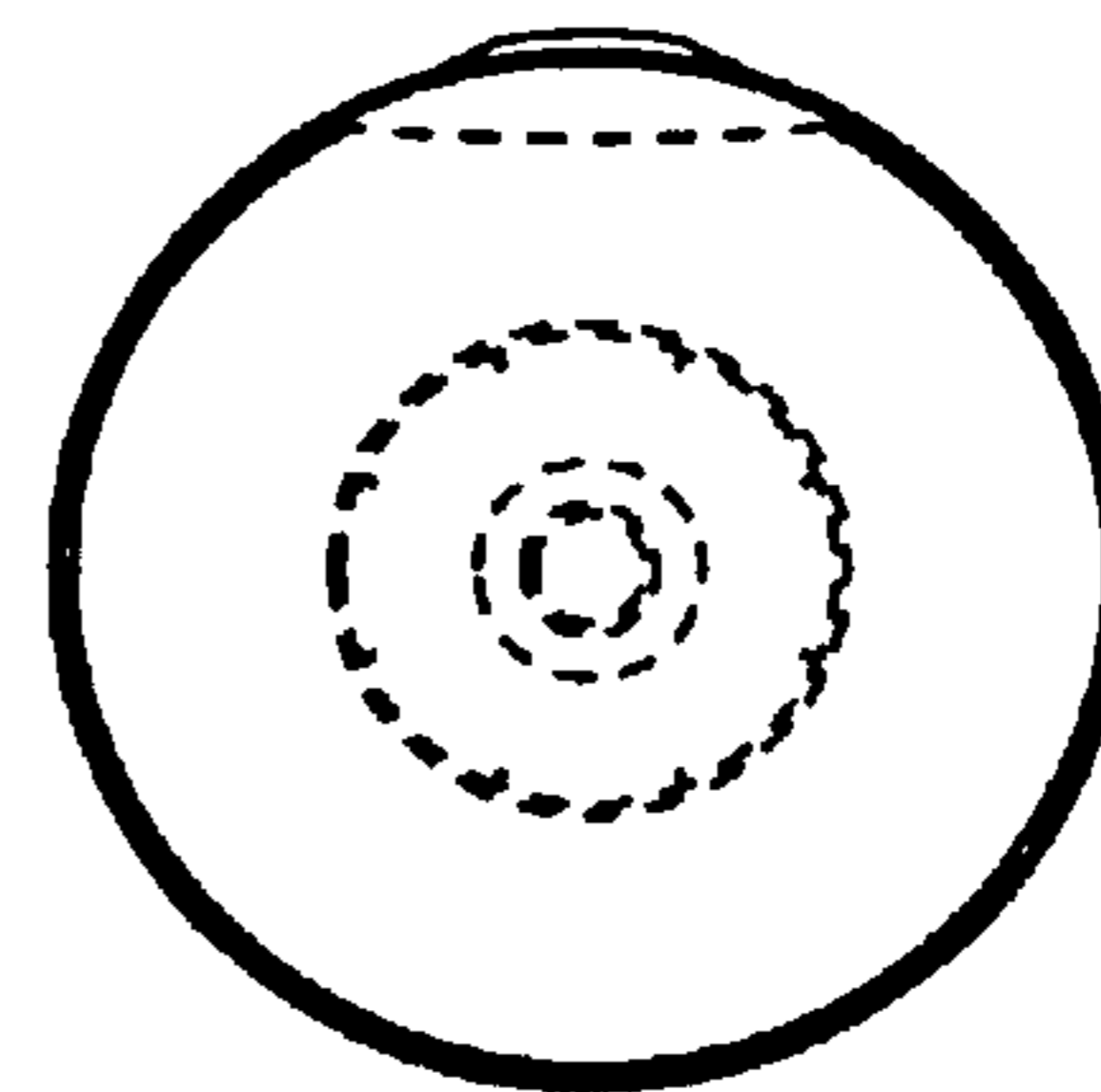


Fig. 7

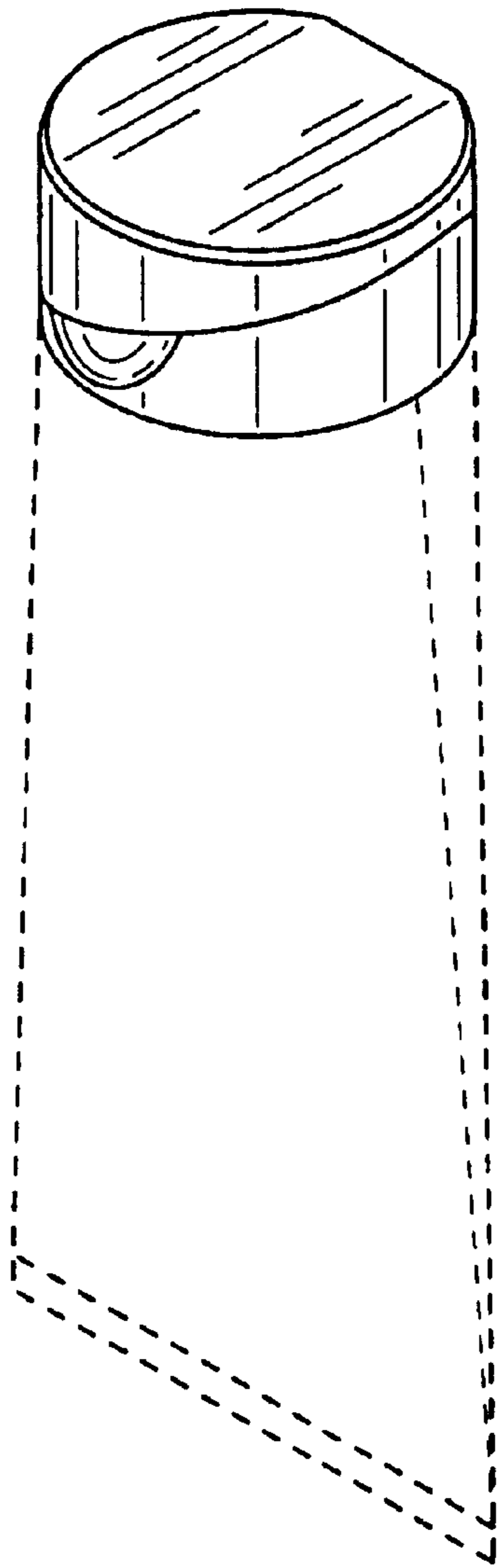


Fig.8