



US00D539135S

(12) **United States Design Patent**
Blasko et al.

(10) **Patent No.:** **US D539,135 S**

(45) **Date of Patent:** **** *Mar. 27, 2007**

(54) **PRODUCT PACKAGE**

(75) Inventors: **Tanya Nicole Blasko**, Cincinnati, OH (US); **Erica Heidi Hollmann**, Kenosha, WI (US); **Stacy Alycia Thomas**, Chicago, IL (US)

(73) Assignee: **The Procter & Gamble Company**, Cincinnati, OH (US)

(*) Notice: This patent is subject to a terminal disclaimer.

(**) Term: **14 Years**

(21) Appl. No.: **29/238,857**

(22) Filed: **Sep. 22, 2005**

(51) **LOC (8) Cl.** **09-03**

(52) **U.S. Cl.** **D9/428; D9/424**

(58) **Field of Classification Search** D9/414, D9/421, 424, 425, 426, 428, 429, 431; 206/216, 206/218; 215/382; 220/670, 675, 680

See application file for complete search history.

(56) **References Cited**

U.S. PATENT DOCUMENTS

1,237,016 A * 8/1917 Brown 220/825
2,638,820 A * 5/1953 Barnes 493/56
D271,090 S * 10/1983 Edgar et al. D11/131

D292,883 S * 11/1987 Griffin et al. D9/500
D463,658 S * 10/2002 Lemoine D3/205
D463,907 S * 10/2002 Lemoine D3/205
D466,809 S * 12/2002 Sagel D9/428
D495,186 S * 8/2004 Poupel et al. D7/300.1

* cited by examiner

Primary Examiner—Stella Reid

Assistant Examiner—Derrick Holland

(74) *Attorney, Agent, or Firm*—John M. Howell

(57) **CLAIM**

The ornamental design for product package, as shown and described.

DESCRIPTION

FIG. 1 is a prospective rear view of the PRODUCT PACKAGE having a view of the interior of said product package;

FIG. 2 is an overhead view of the product package of FIG. 1;

FIG. 3 is the rear view of the product package of FIG. 1;

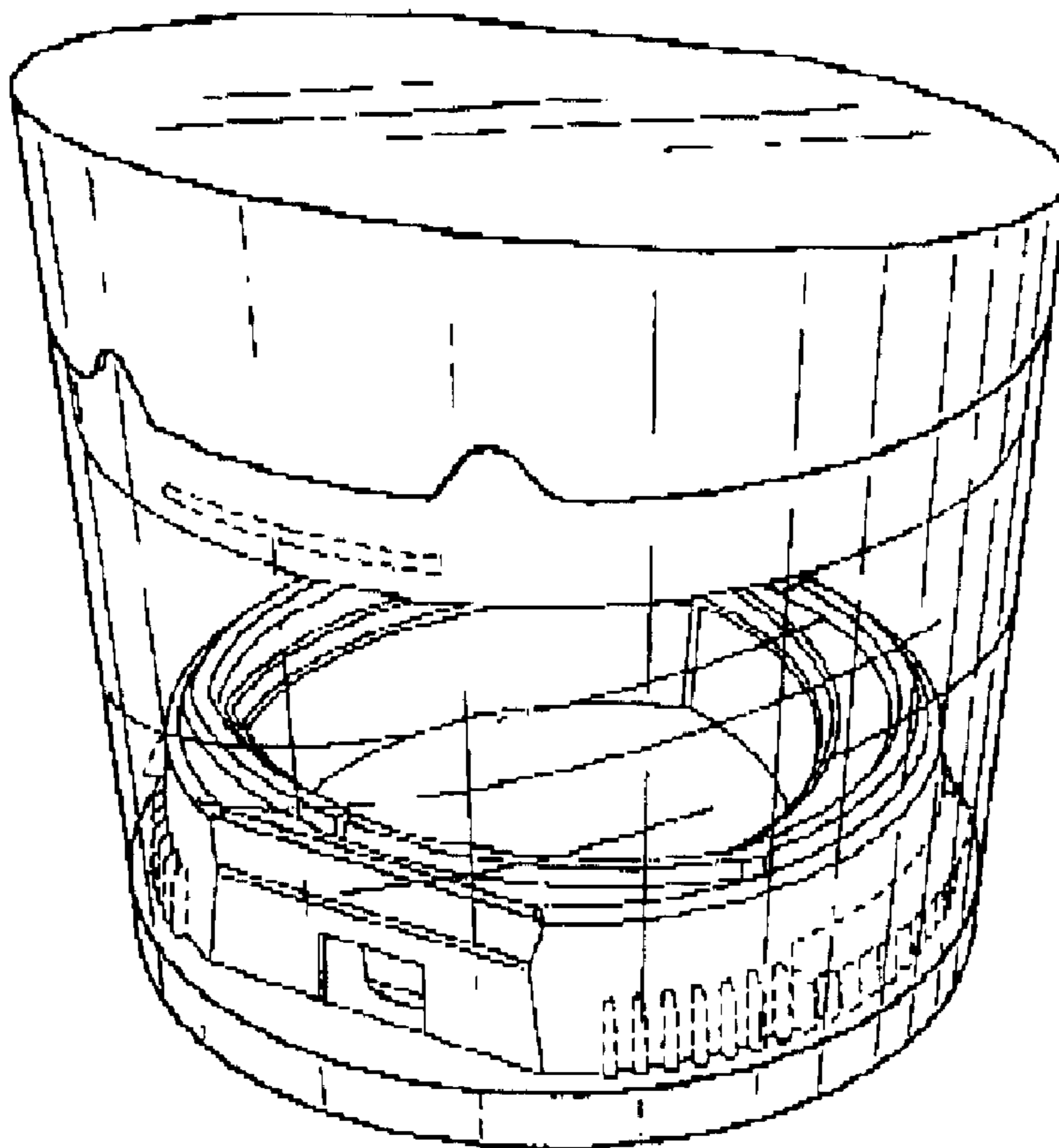
FIG. 4 is a front view of the product package having a view of the interior of said product package;

FIG. 5 is a left profile view of the product package of FIG. 4; and,

The bottom view not shown has been disclaimed.

The broken line showing of product package is for illustrative purposes only and forms no part of the claimed design.

1 Claim, 2 Drawing Sheets



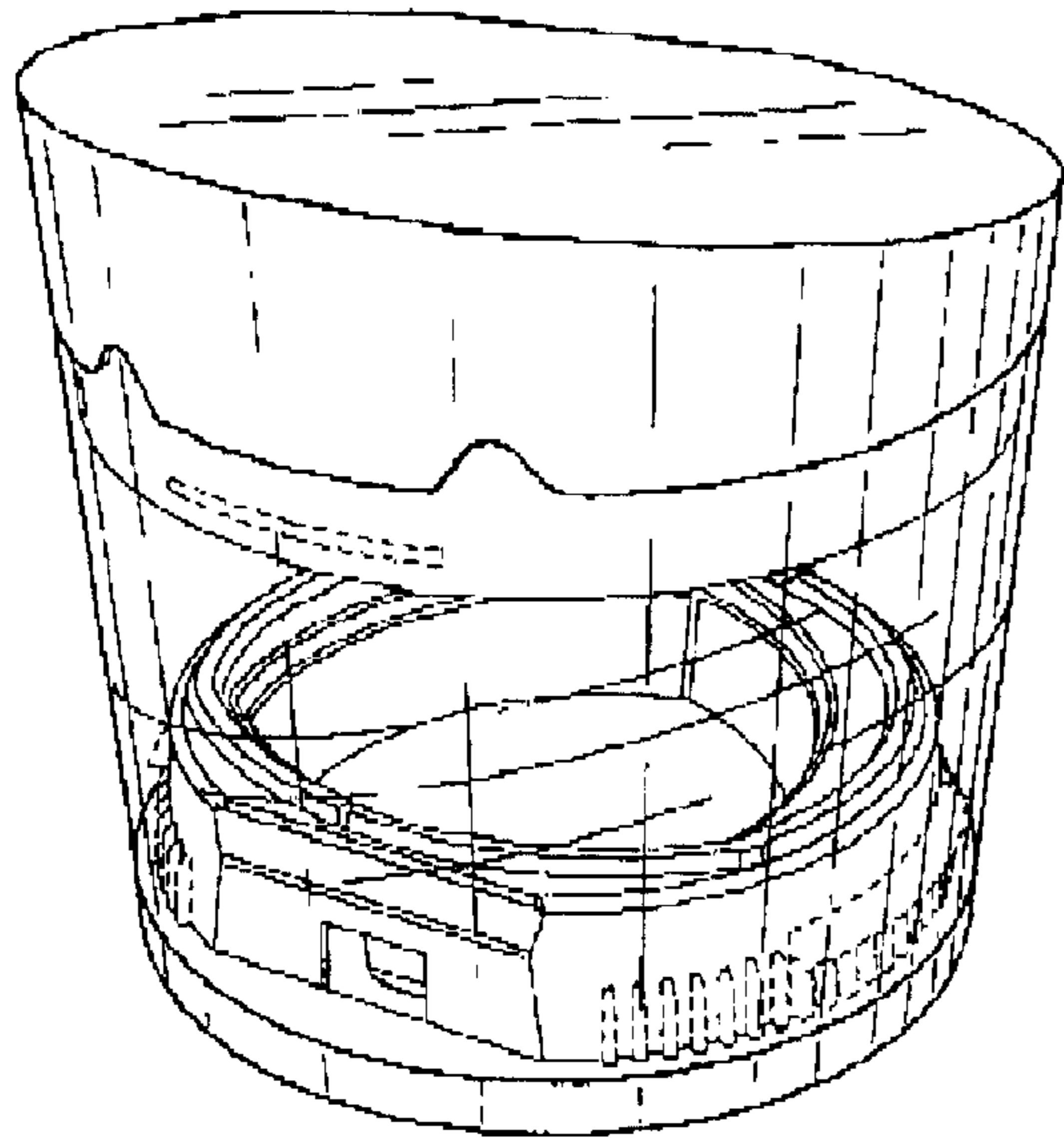


Fig. 1

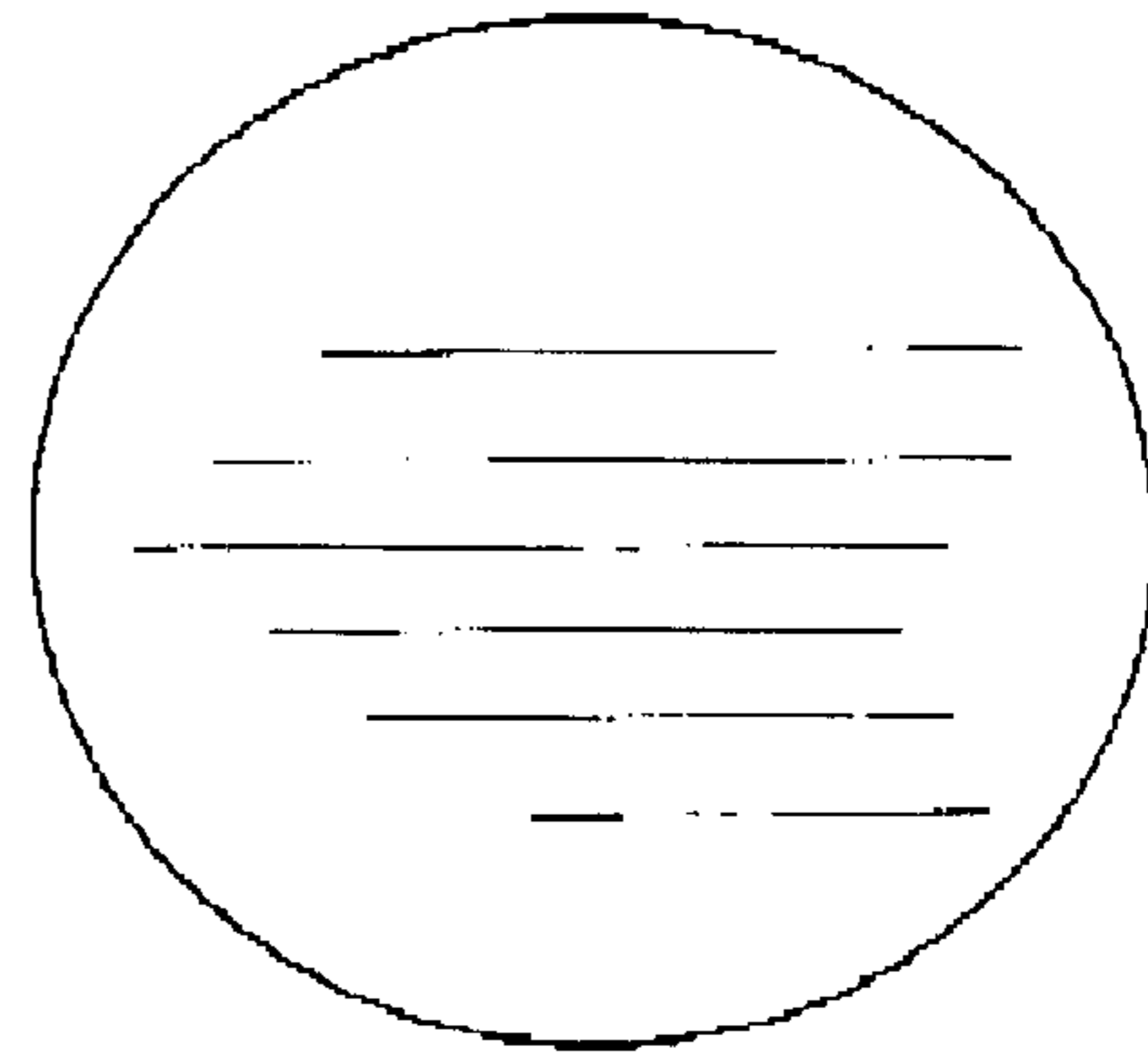


Fig. 2

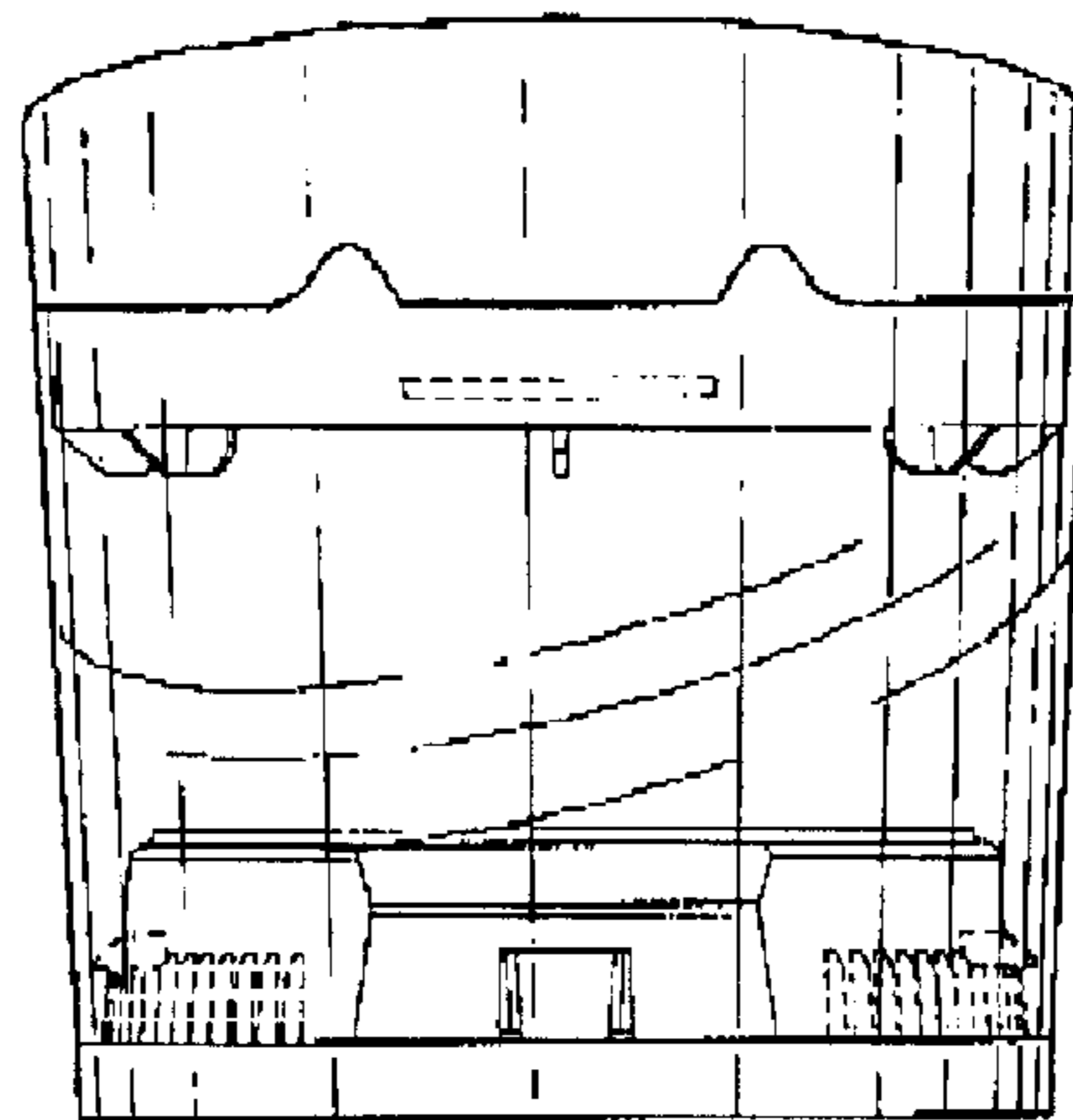


Fig. 3

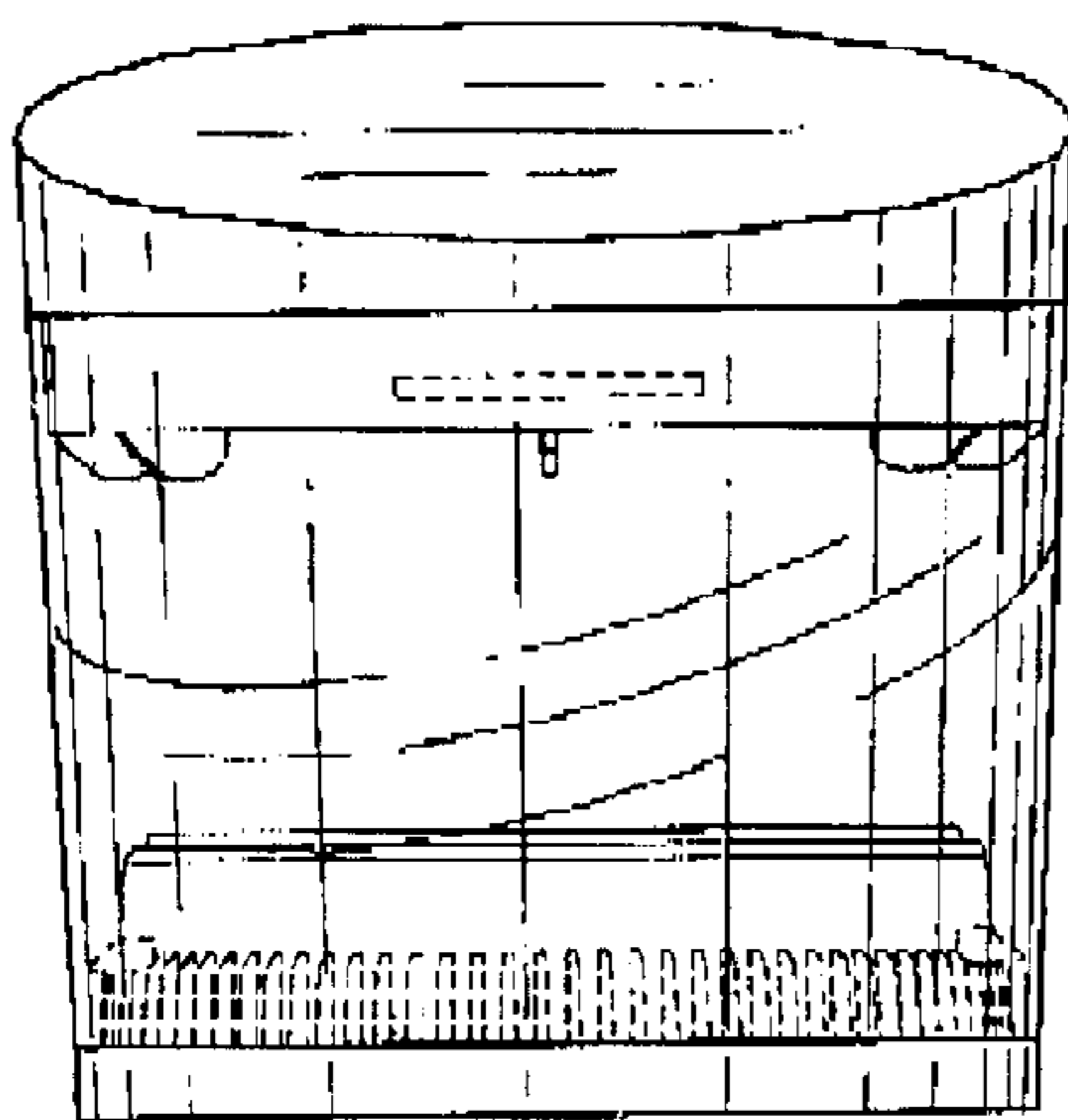


Fig. 4

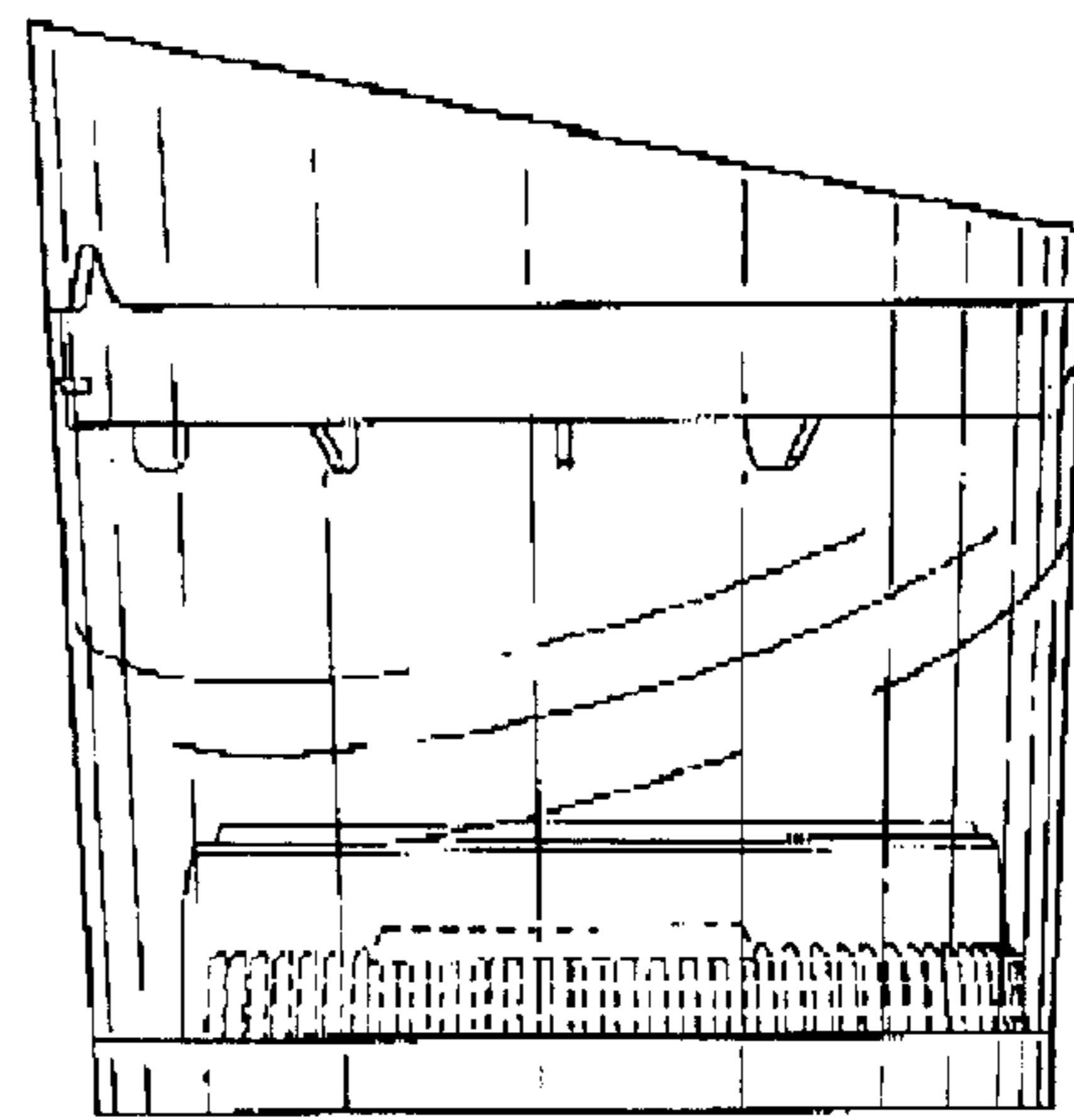


Fig. 5