



US00D539130S

(12) **United States Design Patent**
Anderson

(10) **Patent No.:** **US D539,130 S**

(45) **Date of Patent:** **** Mar. 27, 2007**

(54) **CONNECTOR**

(76) **Inventor:** **Ronald R. Anderson**, 78 Fairly Dell Rd., Clinton, CT (US) 06413

(**) **Term:** **14 Years**

(21) **Appl. No.:** **29/228,172**

(22) **Filed:** **Apr. 21, 2005**

(51) **LOC (8) Cl.** **08-08**

(52) **U.S. Cl.** **D8/382**

(58) **Field of Classification Search** D8/349,
D8/354, 356, 382; D13/133, 146, 147, 154,
D13/156; 403/203, 204, 287-292, 294
See application file for complete search history.

(56) **References Cited**

U.S. PATENT DOCUMENTS

2,362,008	A	*	11/1944	Hile	403/203
3,297,975	A	*	1/1967	Pope	439/282
D241,005	S	*	8/1976	Asano	D8/349
D300,425	S	*	3/1989	Sumita	D13/133
D407,296	S	*	3/1999	Nagato	D8/354
D424,020	S	*	5/2000	Fischer	D13/146
D437,294	S	*	2/2001	Amin	D13/156
D447,930	S	*	9/2001	Larson	D8/354
D461,401	S	*	8/2002	Kenyon	D8/382

D461,448	S	*	8/2002	Amin	D13/133
D466,088	S	*	11/2002	Saben	D13/154
D490,779	S	*	6/2004	Lee	D13/154
D511,293	S	*	11/2005	Anderson	D8/354

* cited by examiner

Primary Examiner—Holly H. Baynham

Assistant Examiner—Cynthia M. Chin

(74) *Attorney, Agent, or Firm*—Melvin I. Stoltz

(57) **CLAIM**

The ornamental design for a connector, as shown and described.

DESCRIPTION

FIG. 1 is a perspective view of the connector of my design with a mating connector and rope shown in phantom; FIG. 2 is a side elevational view thereof, the opposite side being a mirror image thereof; FIG. 3 is a top plan view thereof; FIG. 4 is a bottom plan view thereof; and, FIG. 5 is an end vie thereof, the opposite end view being a mirror image thereof. The broken lines are for illustrative purposes only and form no part of the claimed design.

1 Claim, 1 Drawing Sheet

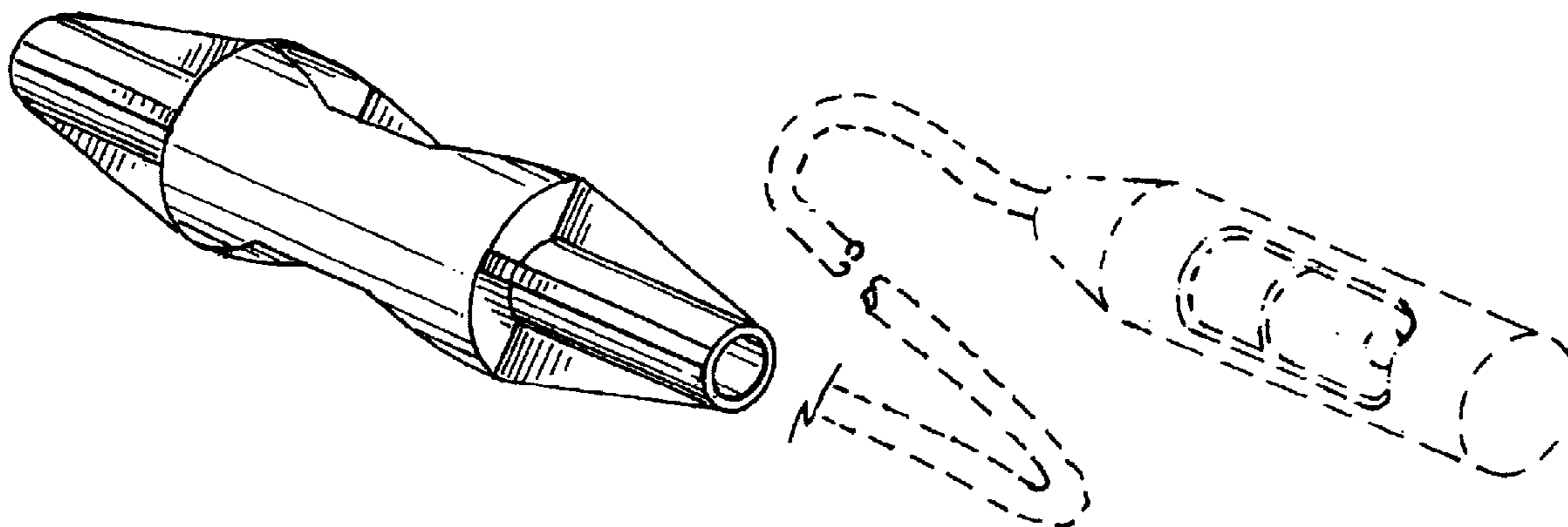


FIG. 1

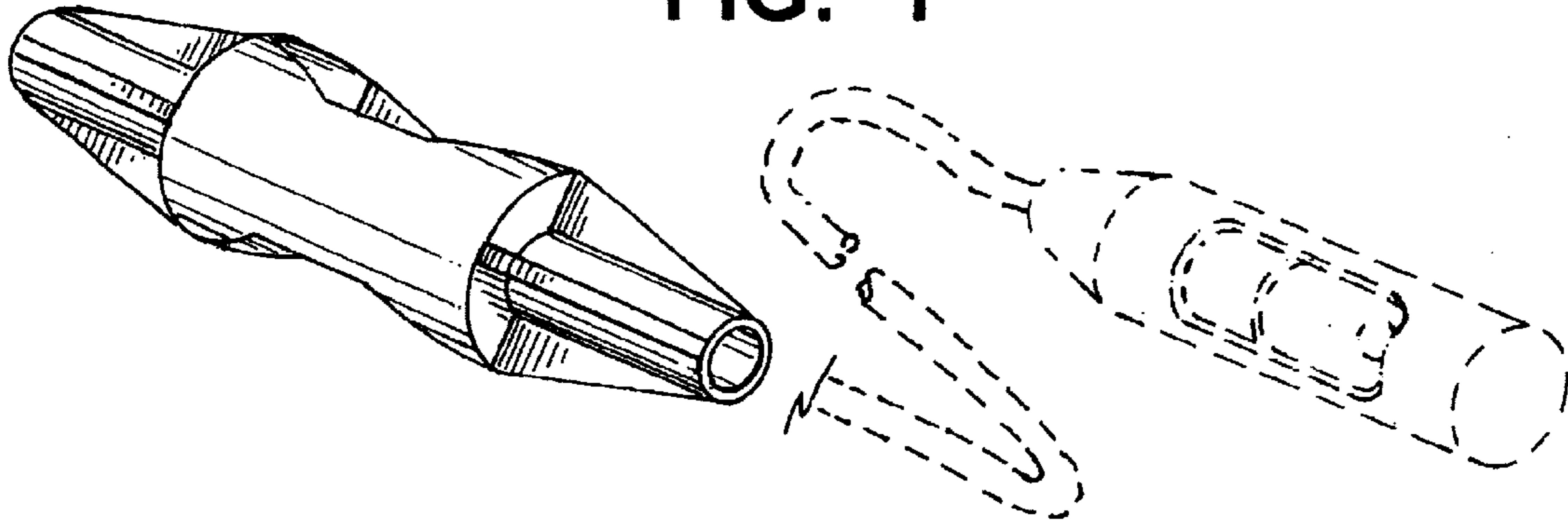


FIG. 2

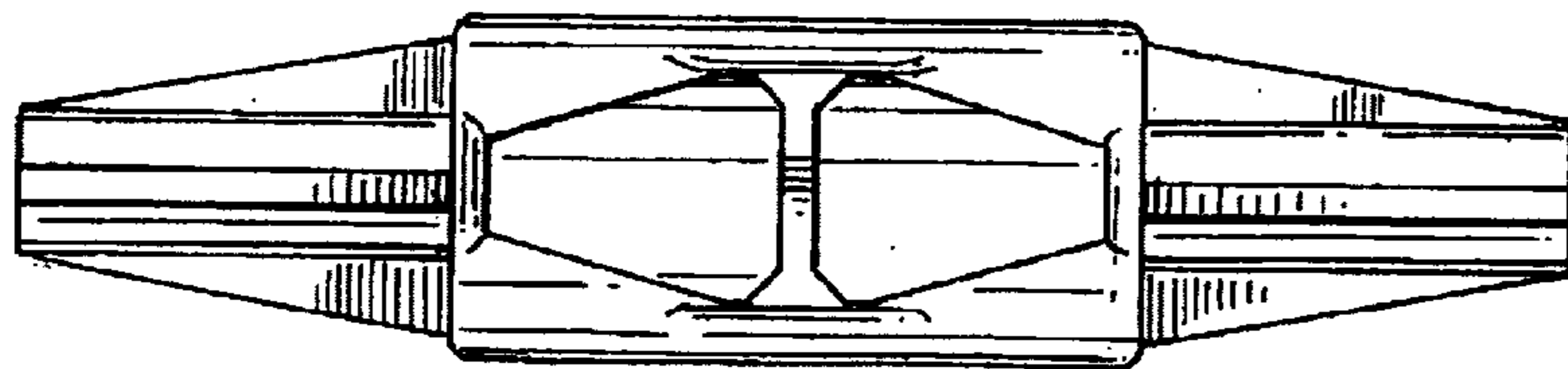
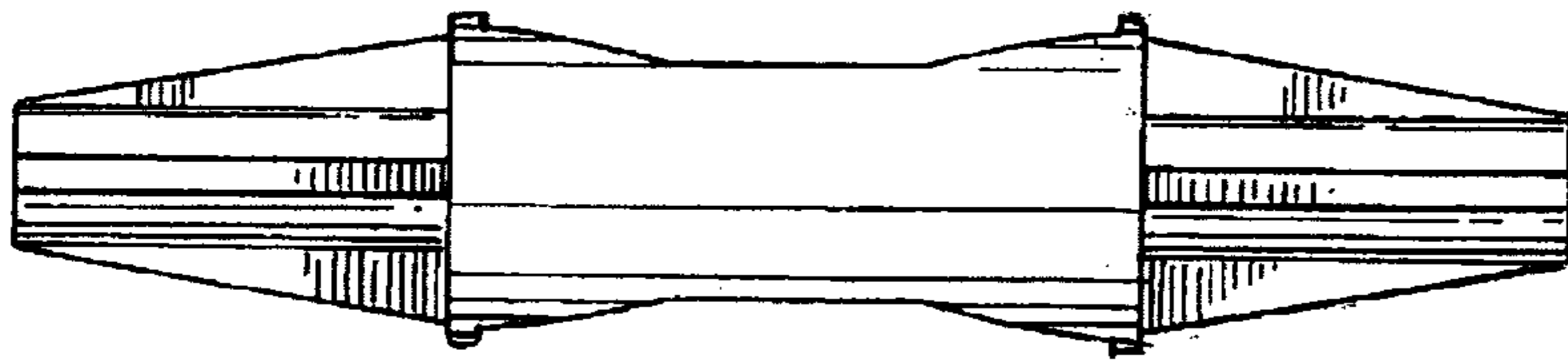


FIG. 3

FIG. 4

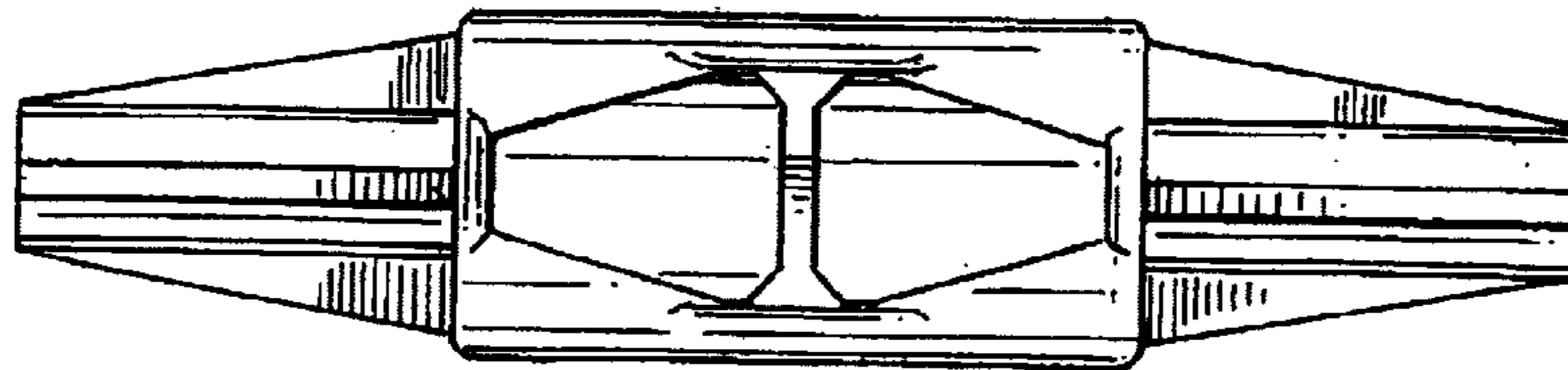


FIG. 5

