



US00D539126S

(12) **United States Design Patent**  
**Stenhouse et al.**

(10) **Patent No.:** **US D539,126 S**

(45) **Date of Patent:** **\*\* Mar. 27, 2007**

(54) **TILTABLE UNIVERSAL MOUNT FOR A  
LARGE FLAT PANEL DISPLAY**

2002/0011544 A1 \* 1/2002 Bosson ..... 248/121  
2004/0011932 A1 \* 1/2004 Duff ..... 248/157

(75) Inventors: **Brett Stenhouse**, Phoenix, AZ (US);  
**Zachary Eyman**, Phoenix, AZ (US);  
**Korry Hoglan**, Phoenix, AZ (US);  
**David Anderson**, Mesa, AZ (US); **Tom  
Muday**, Scottsdale, AZ (US)

\* cited by examiner

*Primary Examiner*—Holly H. Baynham  
(74) *Attorney, Agent, or Firm*—Hogan & Hartson LLP

(73) Assignee: **OmniMount Systems, Inc.**, Phoenix,  
AZ (US)

(57) **CLAIM**

The ornamental design for a tiltable universal mount for a large flat panel display, as shown and described.

(\*\*) Term: **14 Years**

**DESCRIPTION**

(21) Appl. No.: **29/235,619**

FIG. 1 is a top, left isometric view of an embodiment of a tiltable universal mount for a large flat panel display showing our design.

(22) Filed: **Aug. 3, 2005**

FIG. 2 is a front elevational view thereof.

(51) **LOC (8) Cl.** ..... **08-05**

FIG. 3 is a rear elevational view thereof.

(52) **U.S. Cl.** ..... **D8/373**

FIG. 4 is a right-side elevational view thereof.

(58) **Field of Classification Search** ..... D8/363,

FIG. 5 is a left-side elevational view thereof.

D8/373, 380; D14/214, 224, 451–452; 248/309.1,

FIG. 6 is a top plan view thereof; and,

248/284.1, 286.1, 279.1, 280.11

FIG. 7 is a bottom plan view thereof.

See application file for complete search history.

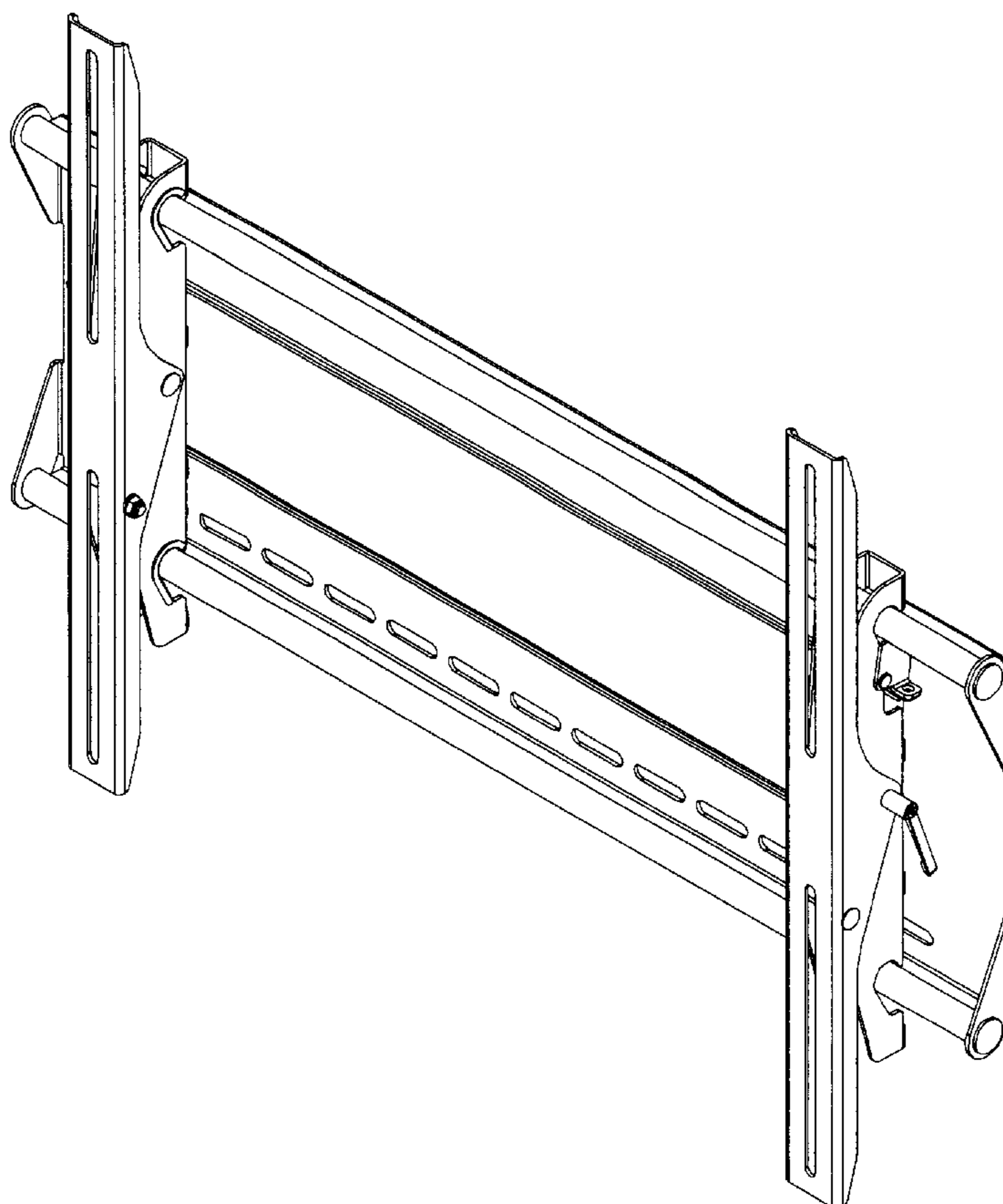
Elements identified in broken lines in the accompanying drawings form no part of the claimed invention.

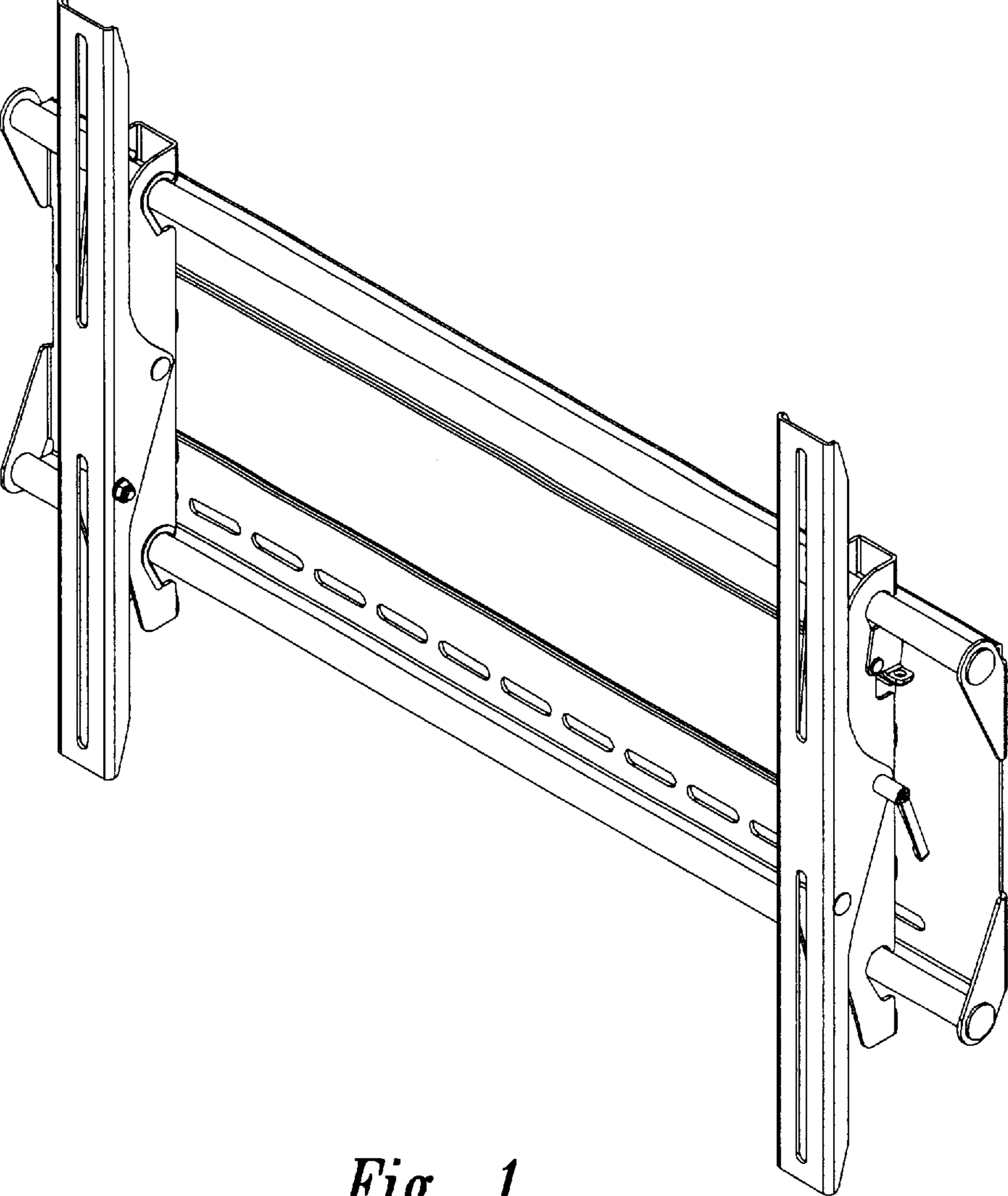
(56) **References Cited**

**U.S. PATENT DOCUMENTS**

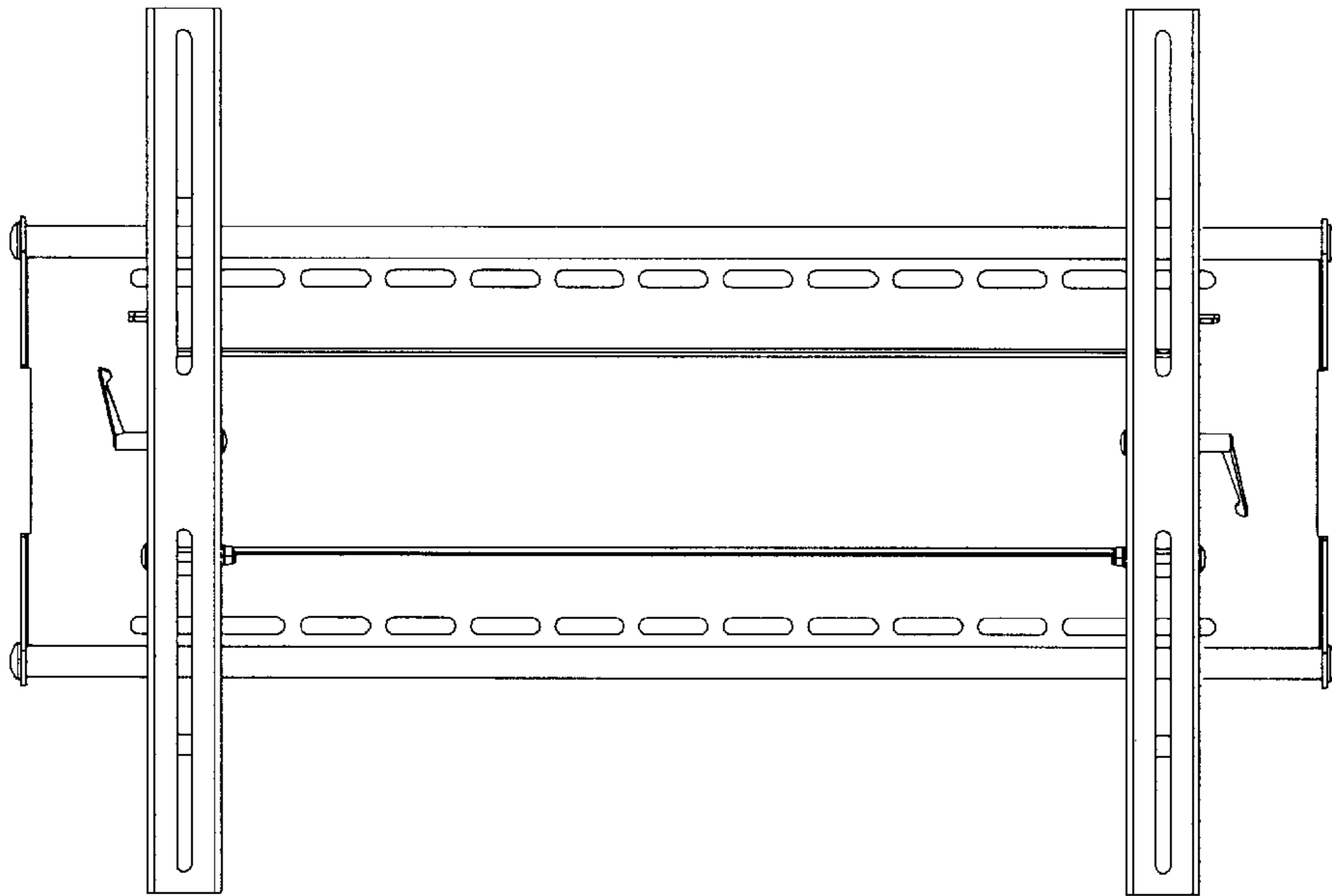
D494,183 S \* 8/2004 Wills et al. .... D14/452

**1 Claim, 3 Drawing Sheets**

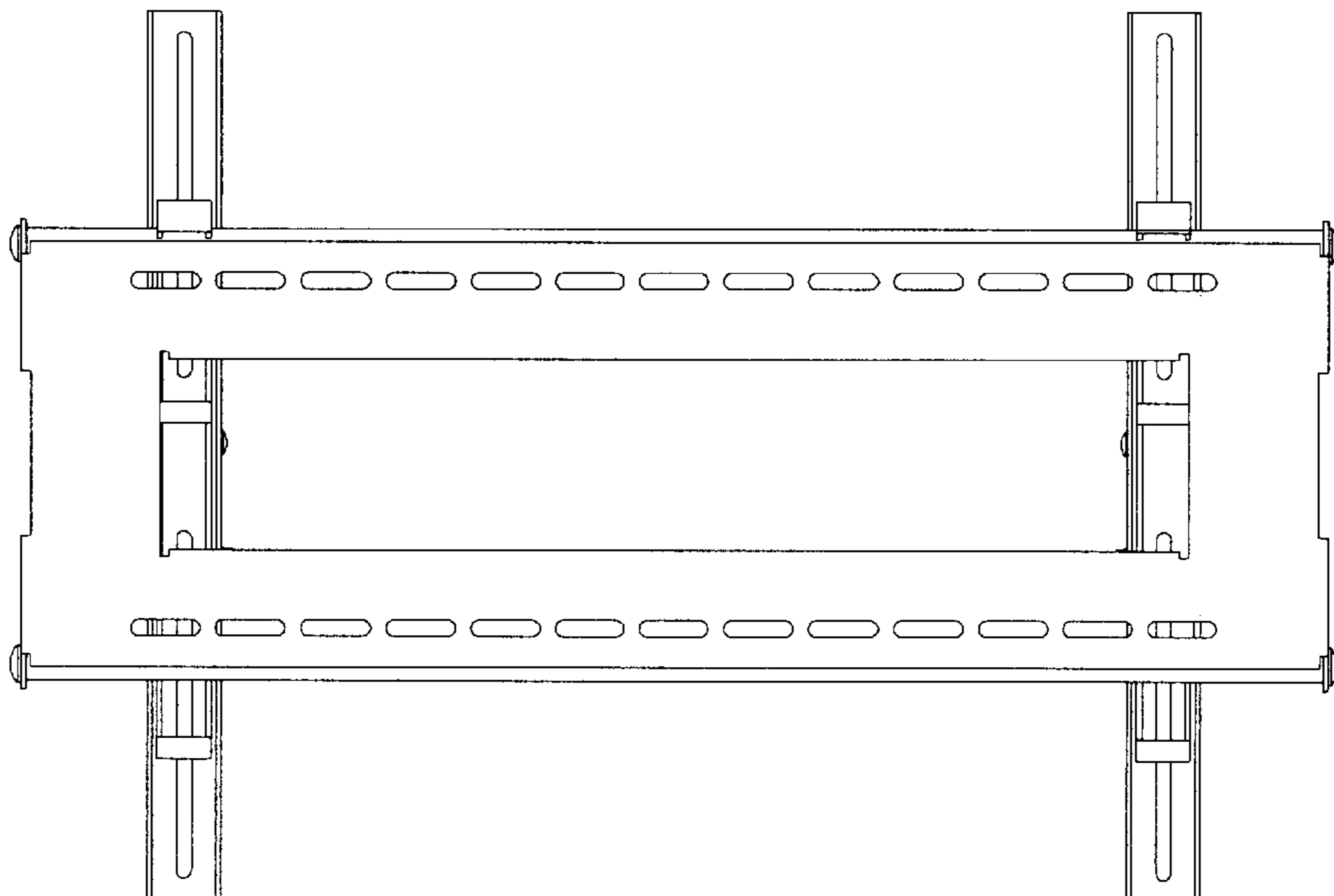




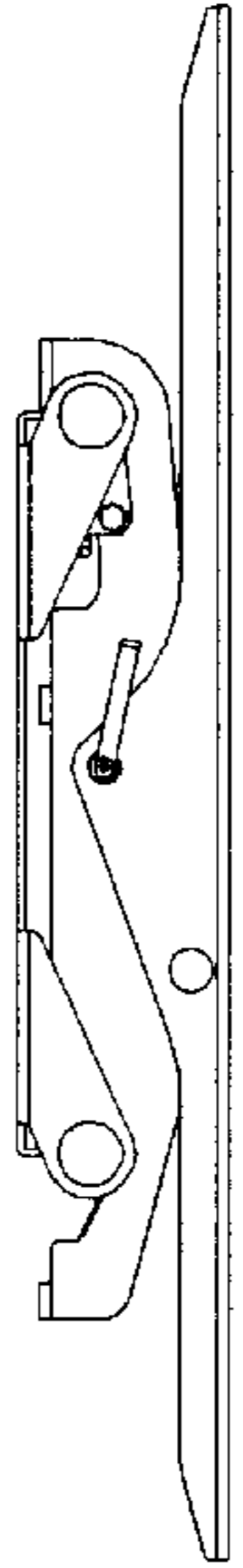
*Fig. 1*



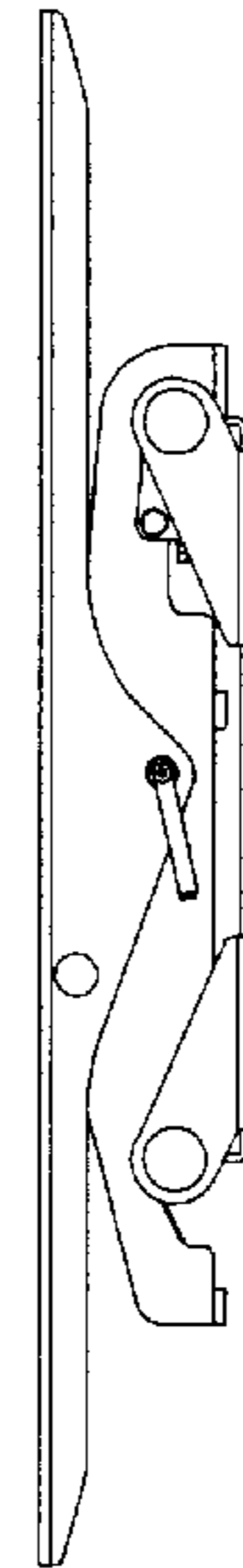
*Fig. 2*



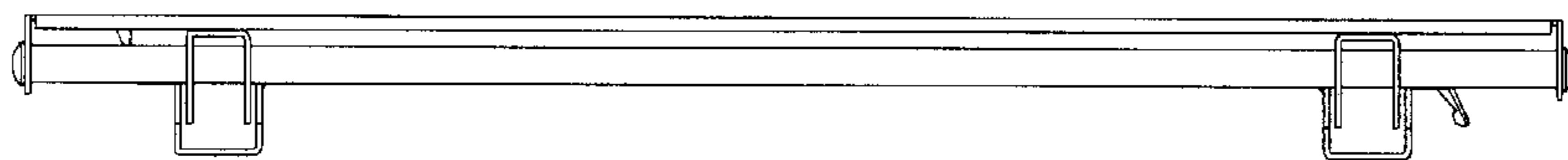
*Fig. 3*



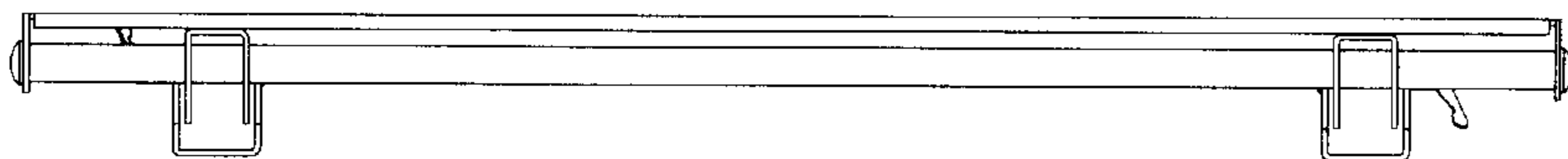
*Fig. 4*



*Fig. 5*



*Fig. 6*



*Fig. 7*