



US00D539124S

(12) **United States Design Patent**
Moore

(10) **Patent No.:** **US D539,124 S**

(45) **Date of Patent:** **** Mar. 27, 2007**

(54) **FINGER POSITIONABLE HANGER FOR DRYWALL**

D431,451 S * 10/2000 Kuo D8/373
6,932,310 B1 * 8/2005 Diss 248/301

(76) Inventor: **T. Michael Moore**, 3021 Jupiter Park Cir., Suite 101, Jupiter, FL (US) 33458

* cited by examiner

Primary Examiner—Holly H. Baynham

(74) *Attorney, Agent, or Firm*—McHale & Slavin PA

(**) Term: **14 Years**

(57) **CLAIM**

(21) Appl. No.: **29/230,628**

The ornamental design for a finger positionable hanger for drywall, as shown and described.

(22) Filed: **May 23, 2005**

(51) **LOC (8) Cl.** **08-05**

(52) **U.S. Cl.** **D8/373**

(58) **Field of Classification Search** D8/367,
D8/373; 248/214–215, 301, 304
See application file for complete search history.

DESCRIPTION

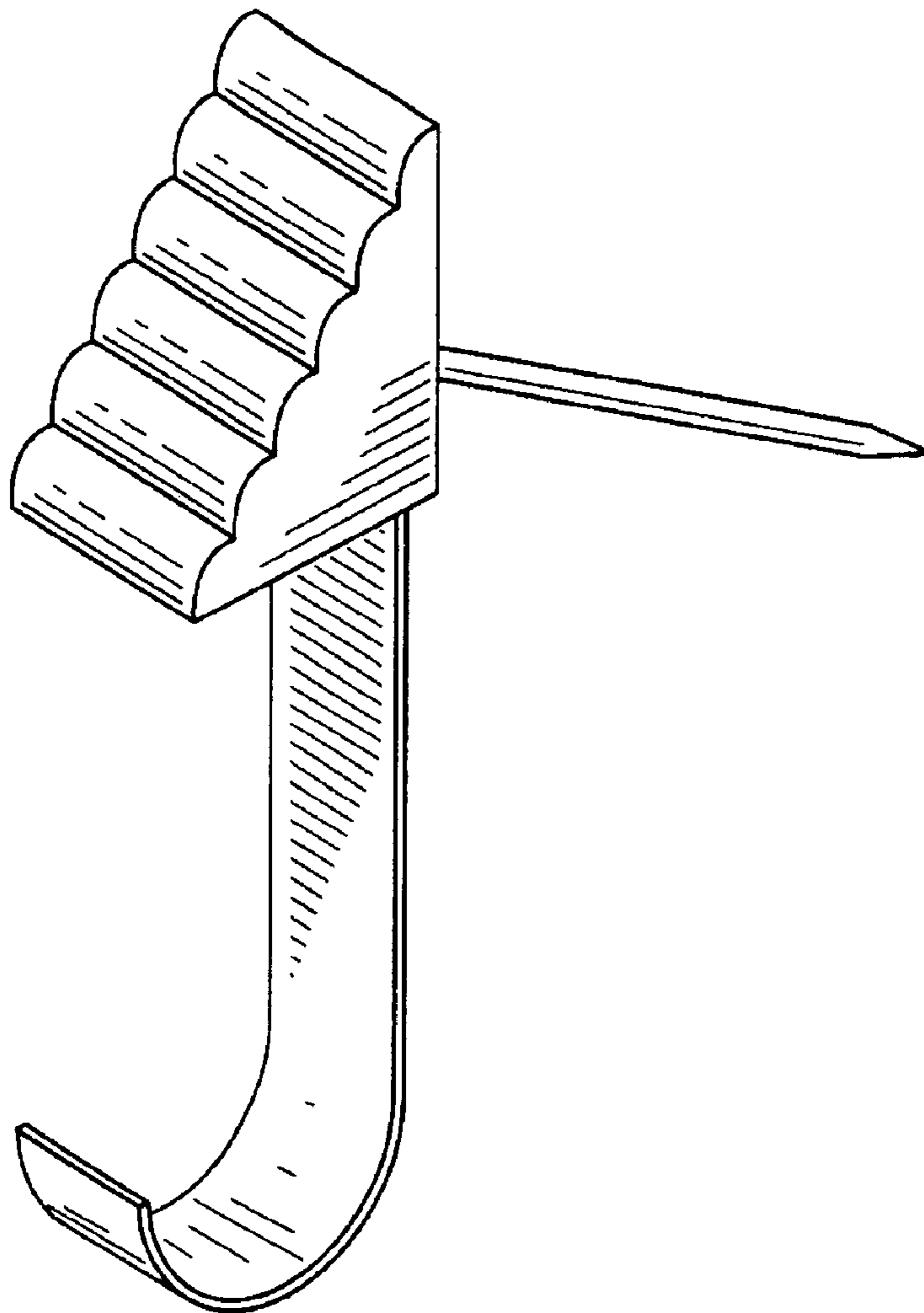
FIG. 1 is a perspective view of the finger positionable hanger for drywall of the instant invention;
FIG. 2 is a front elevation view thereof;
FIG. 3 is a right side view thereof;
FIG. 4 is a left side view thereof;
FIG. 5 is a rear elevation view thereof;
FIG. 6 is a top view thereof; and,
FIG. 7 is a bottom view thereof.

(56) **References Cited**

U.S. PATENT DOCUMENTS

1,120,385 A * 12/1914 Hunt 248/301
2,250,831 A * 7/1941 Harrison 248/304
D310,954 S * 10/1990 Persaud D8/367

1 Claim, 2 Drawing Sheets



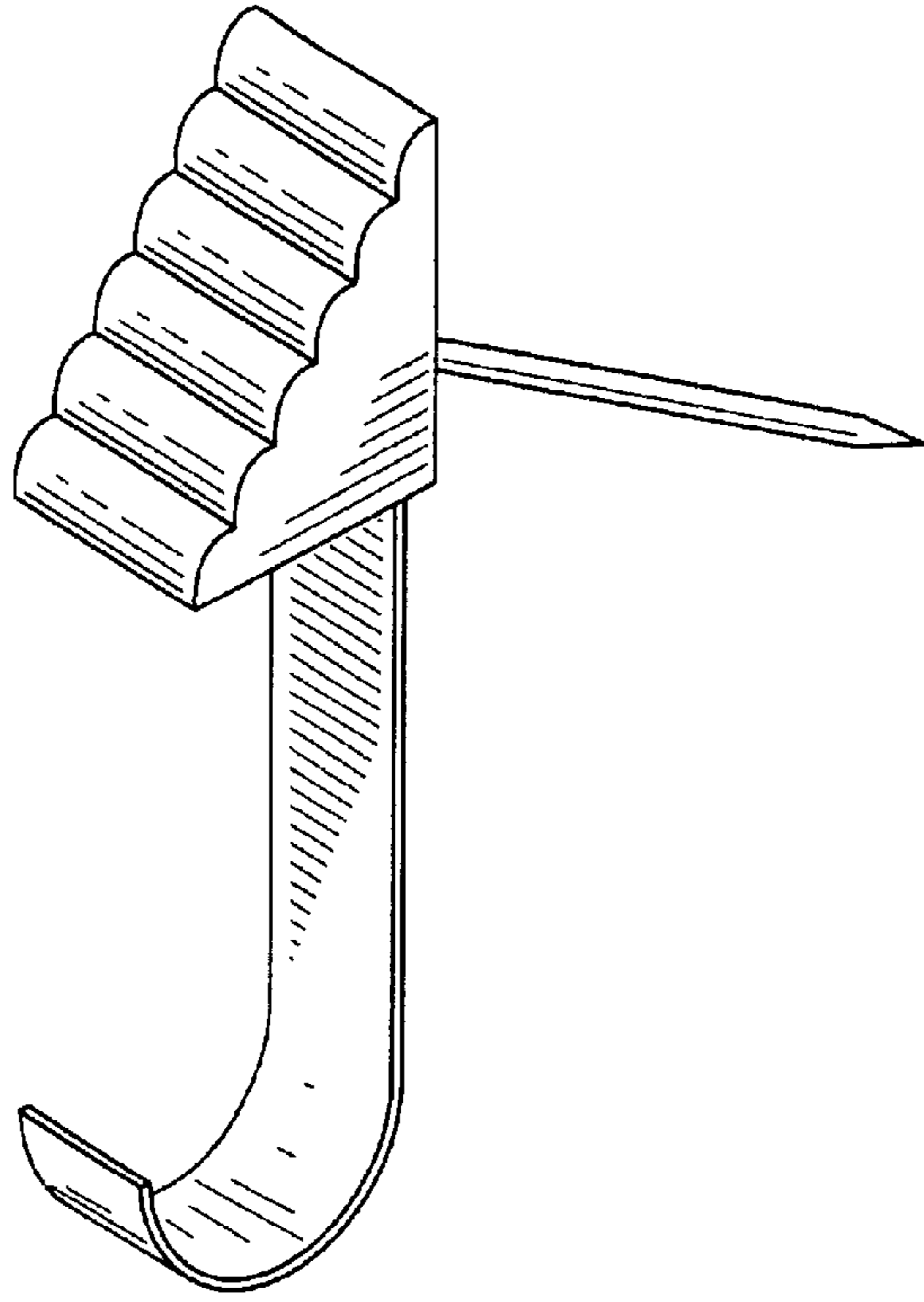


FIG. 1

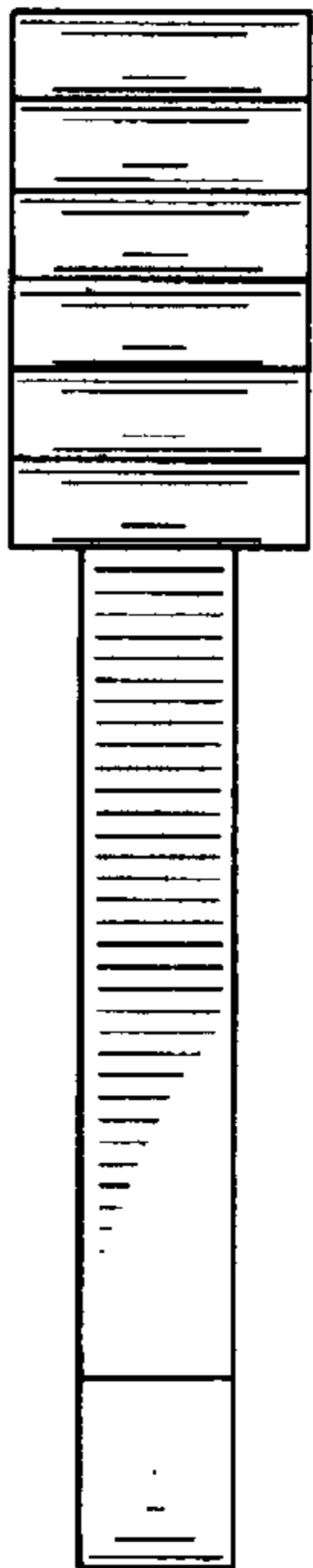


FIG. 2

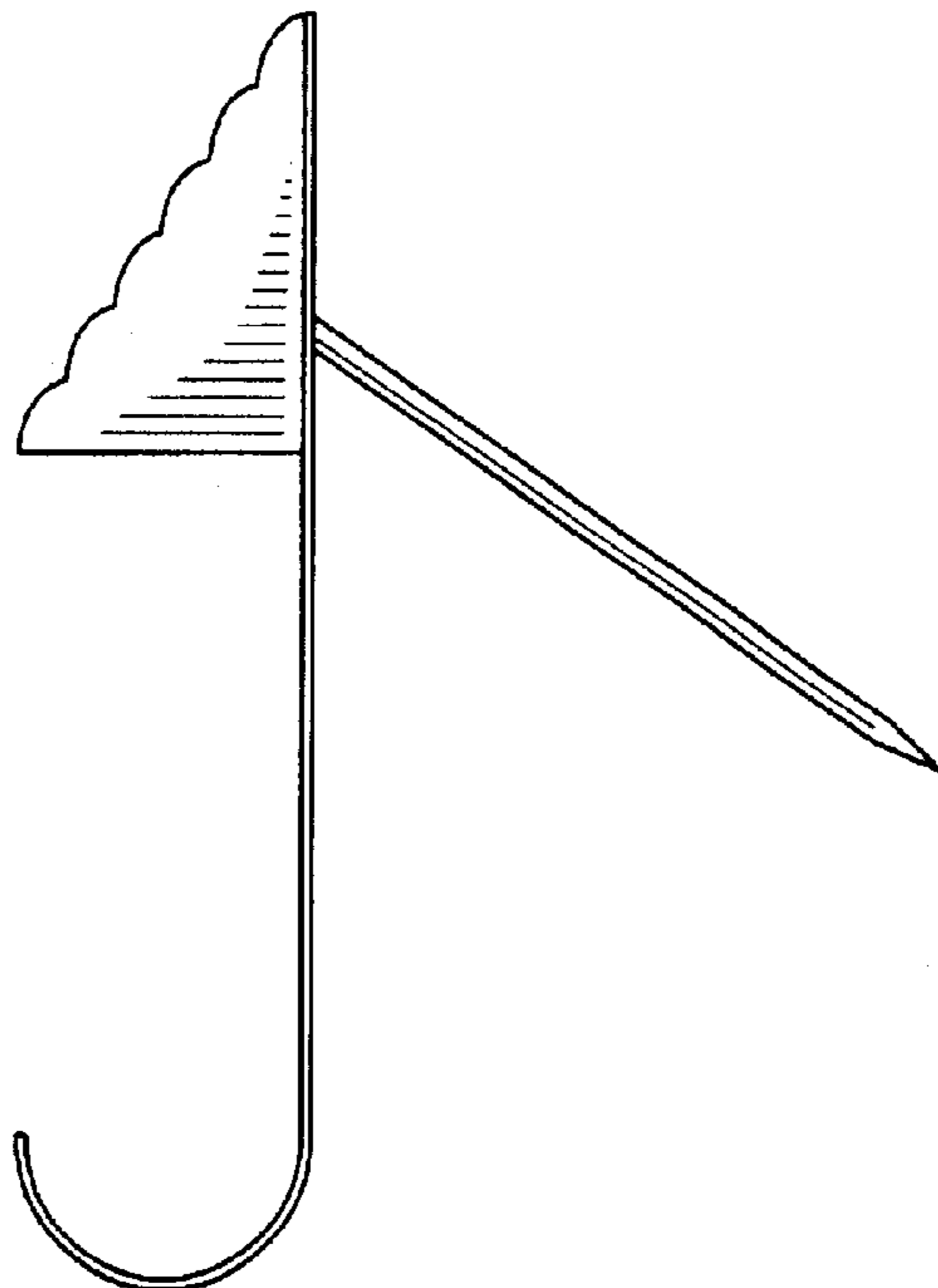


FIG. 3

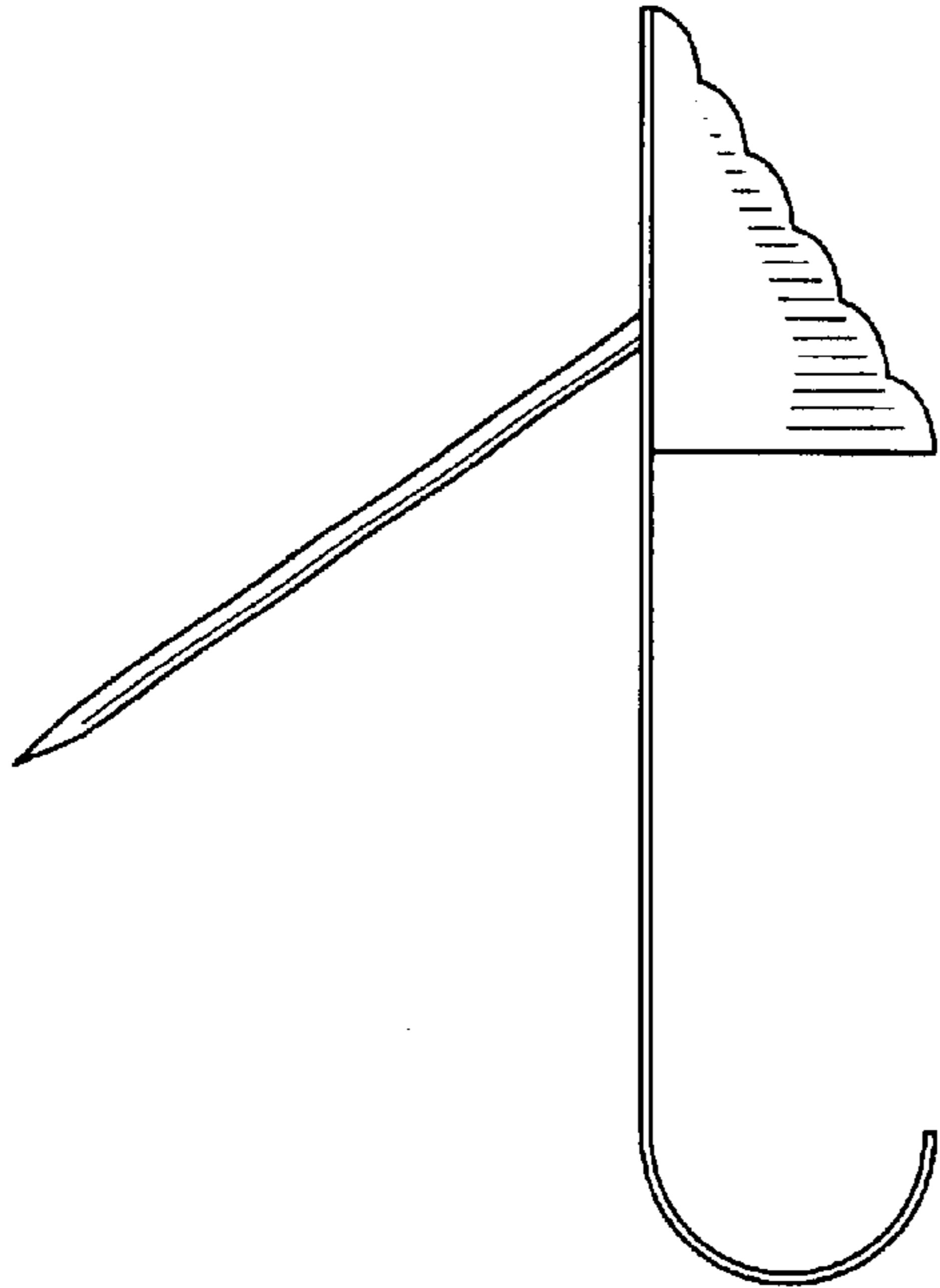


FIG. 4

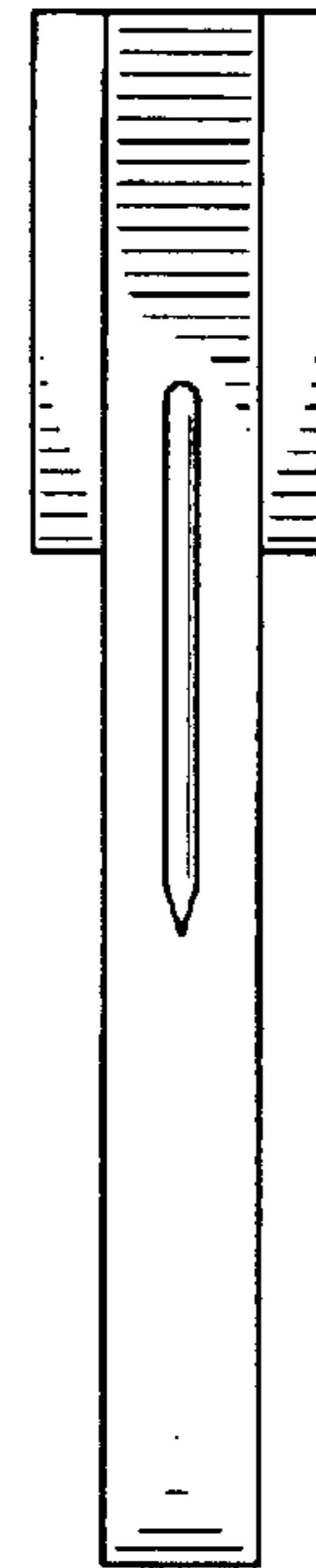


FIG. 5

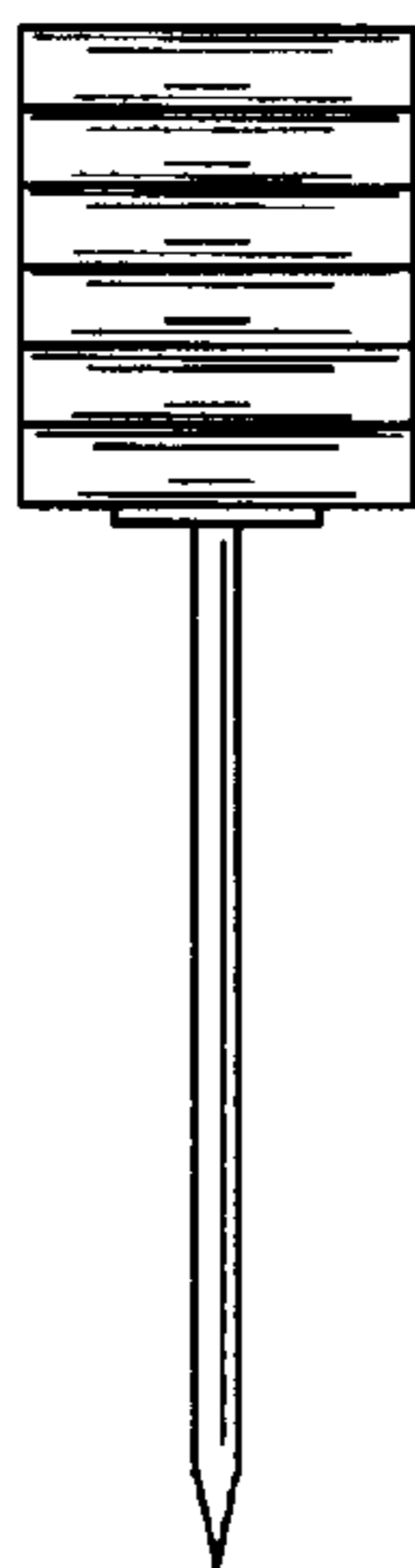


FIG. 6

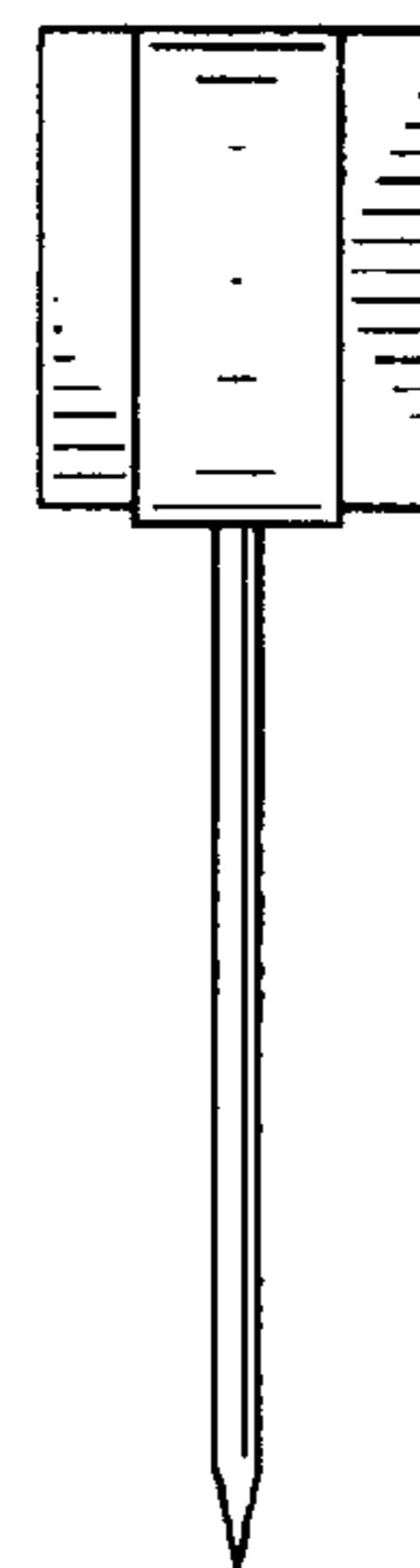


FIG. 7