



US00D539123S

(12) **United States Design Patent**
Ly Hau et al.

(10) **Patent No.:** **US D539,123 S**
(45) **Date of Patent:** **** Mar. 27, 2007**

(54) **MEDIUM CANTILEVER MOUNT FOR A FLAT PANEL DISPLAY**

2002/0011544 A1 * 1/2002 Bosson 248/121
2004/0011932 A1 * 1/2004 Duff 248/157

(75) Inventors: **Flavio Ly Hau**, Tempe, AZ (US); **Brett Stenhouse**, Phoenix, AZ (US); **Zachary Eyman**, Phoenix, AZ (US); **Korry Hoglan**, Phoenix, AZ (US); **David Anderson**, Mesa, AZ (US); **Tom Muday**, Scottsdale, AZ (US); **Vivek Jayaprakasan**, Tempe, AZ (US)

* cited by examiner

Primary Examiner—Holly H. Baynham
(74) *Attorney, Agent, or Firm*—Hogan & Hartson LLP

(73) Assignee: **Omnimount Systems, Inc.**, Phoenix, AZ (US)

(57) **CLAIM**

The ornamental design for a medium cantilever mount for a flat panel display, as shown and described.

(**) Term: **14 Years**

DESCRIPTION

(21) Appl. No.: **29/235,618**

FIG. 1 is a top, right isometric view of an embodiment of a medium cantilever mount for a flat panel display showing our design.

(22) Filed: **Aug. 3, 2005**

FIG. 2 is a front elevational view thereof.

(51) **LOC (8) Cl.** **08-05**

(52) **U.S. Cl.** **D8/363**

(58) **Field of Classification Search** D8/363,
D8/373, 380; D14/451–452, 214, 224; 248/309.1,
248/279.1, 284.1, 280.11; 403/83
See application file for complete search history.

FIG. 3 is a rear elevational view thereof.

FIG. 4 is a right-side elevational view thereof; the left-side elevational view is a mirror image of FIG. 4; and,

FIG. 5 is a top plan view thereof; the bottom plan view is a mirror image of FIG. 5.

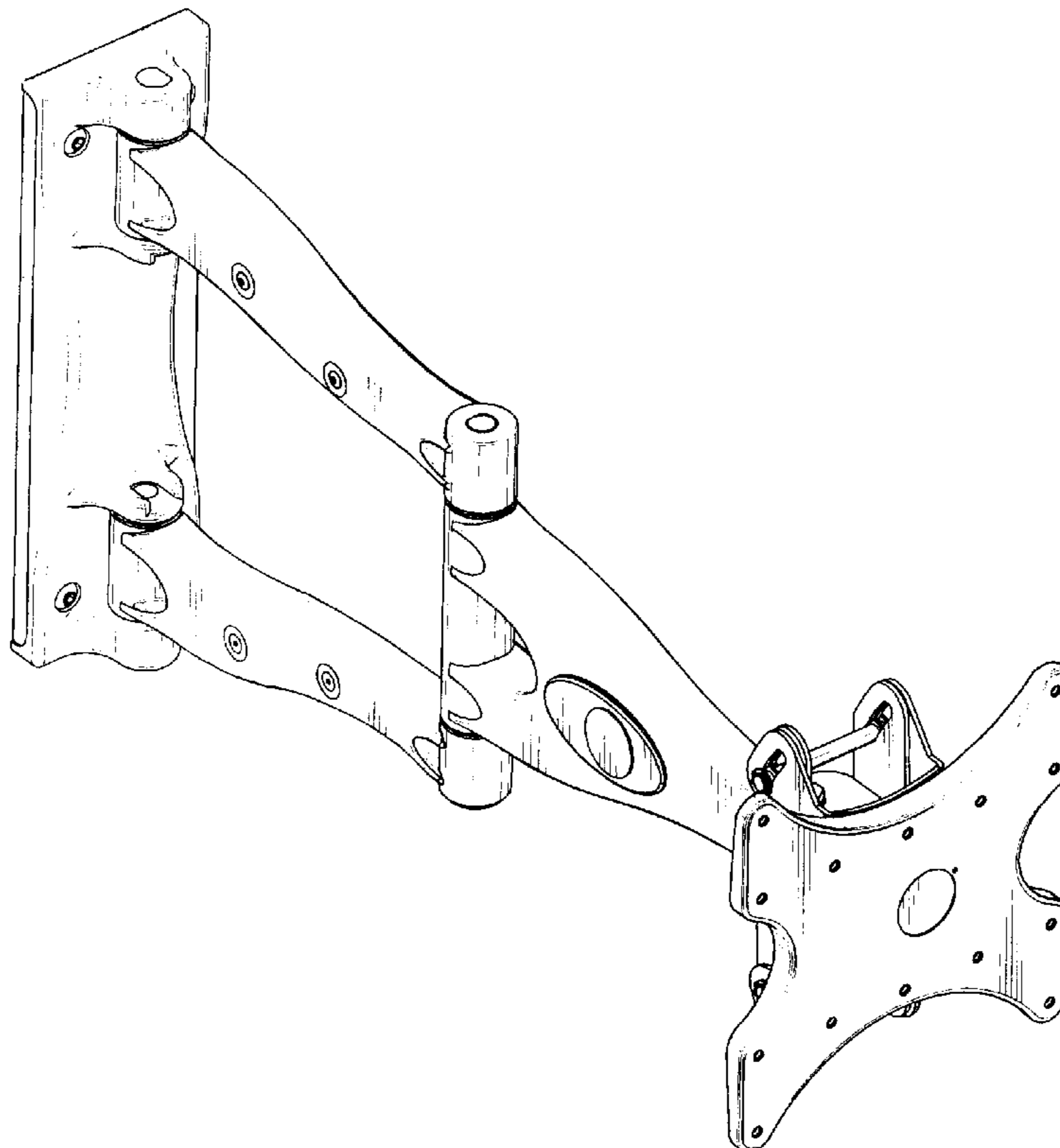
Elements identified in broken lines in the accompanying drawings form no part of the claimed invention.

(56) **References Cited**

U.S. PATENT DOCUMENTS

D494,183 S * 8/2004 Wills et al. D14/452

1 Claim, 2 Drawing Sheets



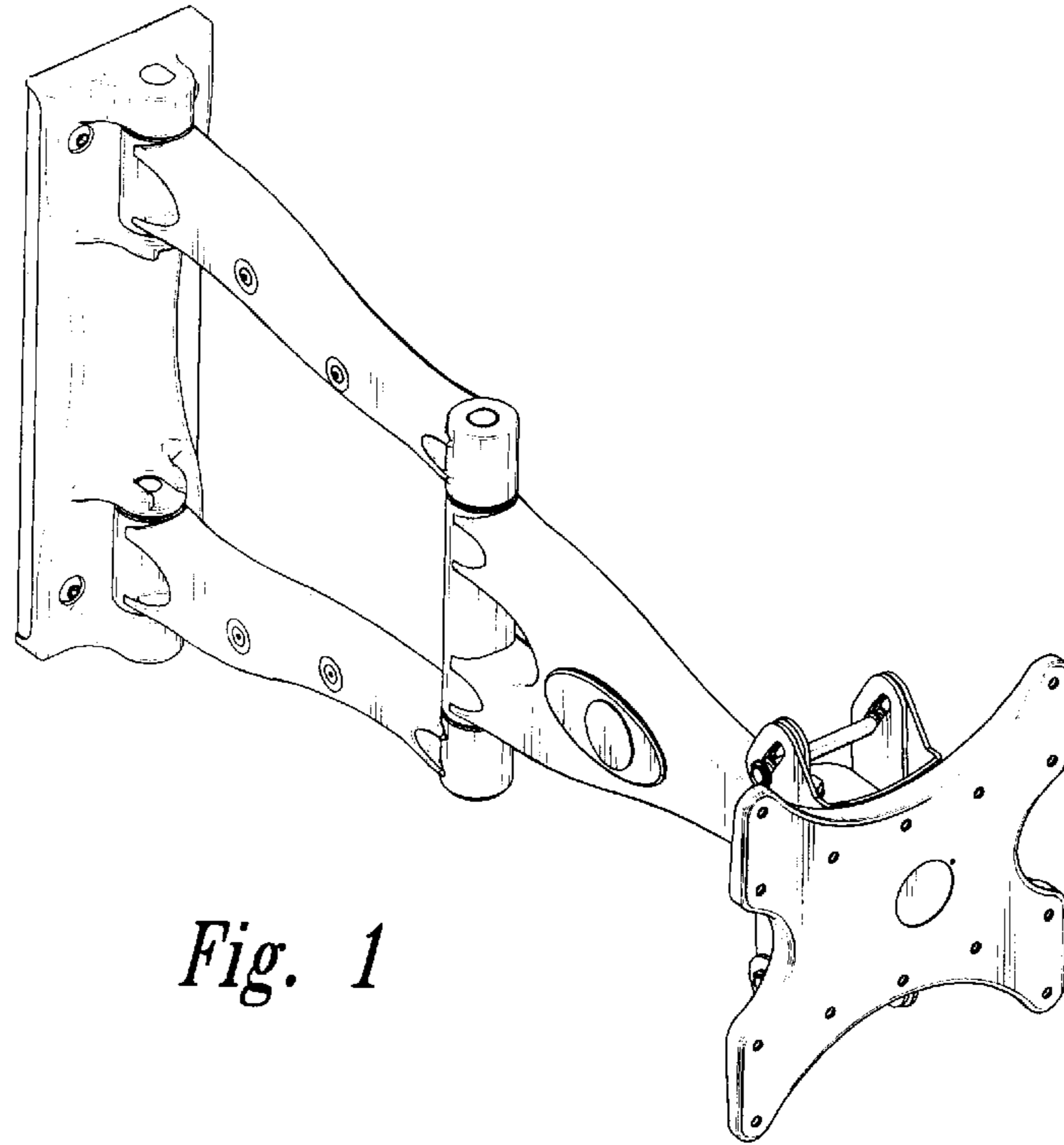


Fig. 1

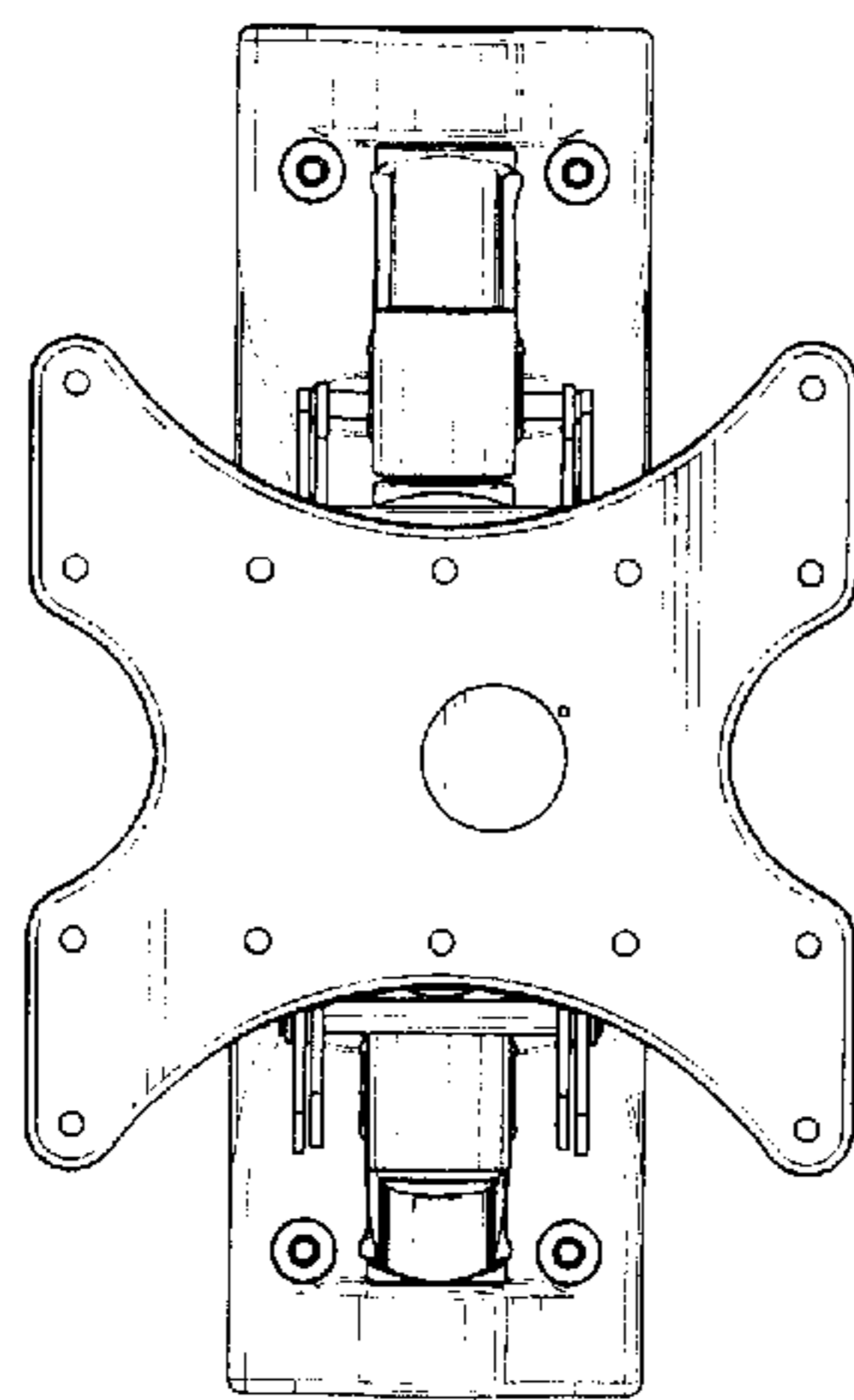


Fig. 2

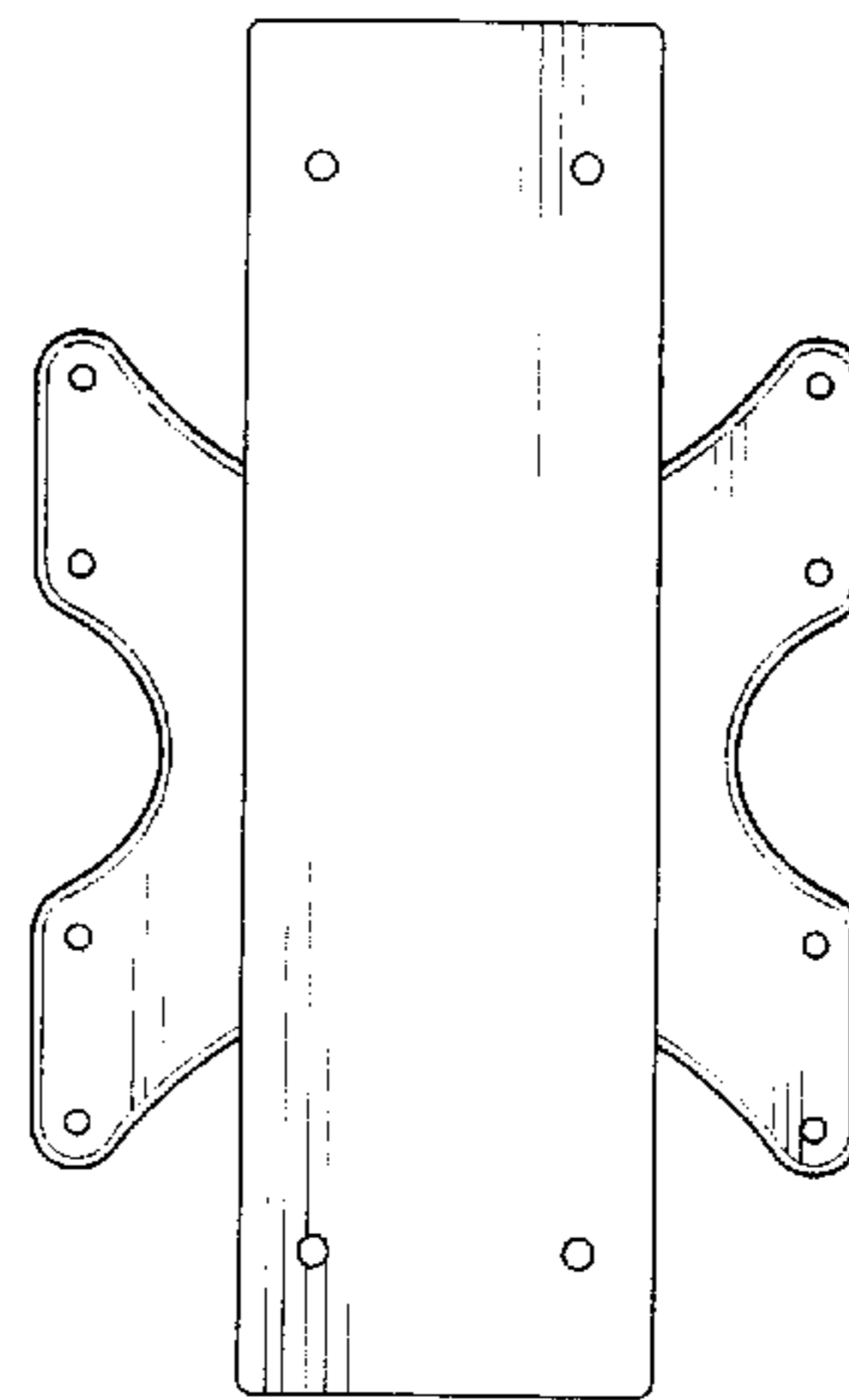


Fig. 3

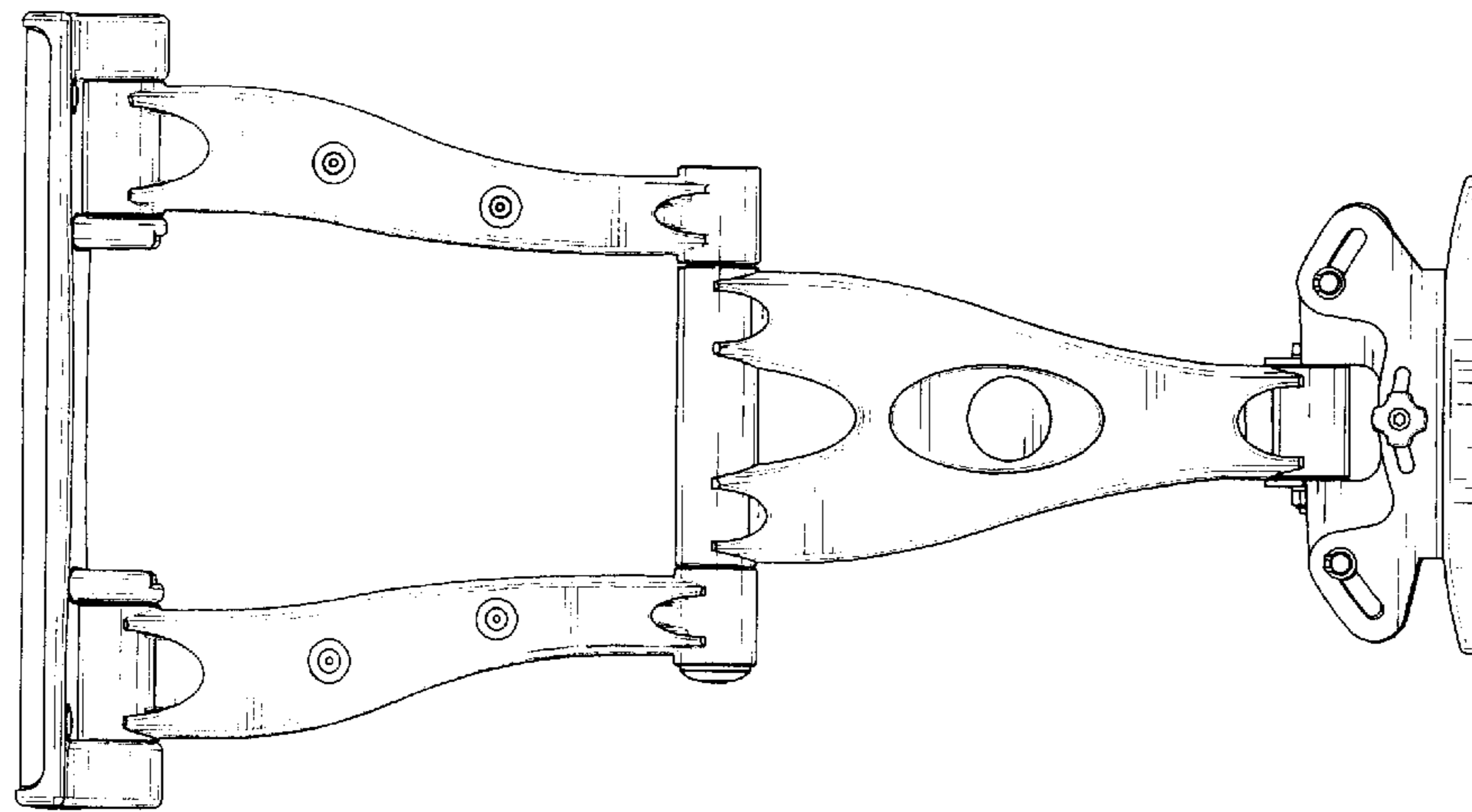


Fig. 4

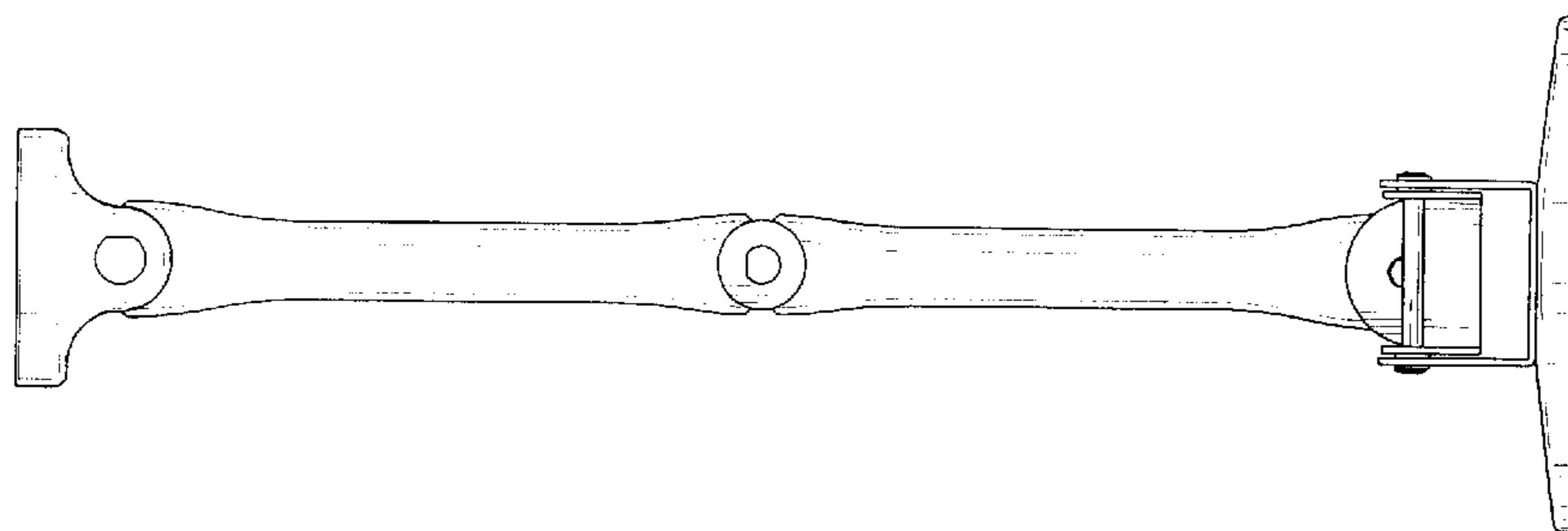


Fig. 5