



US00D539114S

(12) **United States Design Patent**  
**Vito**

(10) **Patent No.:** **US D539,114 S**  
(45) **Date of Patent:** **\*\* Mar. 27, 2007**

- (54) **SHACKLE**
  - (75) Inventor: **Robert A. Vito**, Berwyn, PA (US)
  - (73) Assignee: **Unbreakable Lock Company**, Berwyn, PA (US)
  - (\*\*) Term: **14 Years**
  - (21) Appl. No.: **29/208,597**
  - (22) Filed: **Jun. 30, 2004**
  - (51) **LOC (8) Cl.** ..... **08-07**
  - (52) **U.S. Cl.** ..... **D8/343; D8/330**
  - (58) **Field of Classification Search** ..... D8/330,  
D8/331, 333, 334, 343, 499; 70/14, 18, 24,  
70/32, 34, 35, 38 A, 38 B, 38 C, 53, 20,  
70/25, 26
- See application file for complete search history.

(56) **References Cited**

**U.S. PATENT DOCUMENTS**

- 247,674 A \* 9/1881 Miller ..... 70/25
- 1,016,455 A \* 2/1912 Stone ..... 70/38 B
- 4,532,783 A \* 8/1985 Maurice ..... 70/63
- 4,869,082 A \* 9/1989 Appelbaum ..... 70/63
- 5,737,947 A \* 4/1998 Ling ..... 70/63
- 6,086,223 A \* 7/2000 Fogle et al. .... 362/253

- D484,777 S \* 1/2004 Ruan ..... D8/334
- 6,834,519 B1 \* 12/2004 Yang ..... 70/58

\* cited by examiner

*Primary Examiner*—Prabhakar Deshmukh  
(74) *Attorney, Agent, or Firm*—Volpe and Koenig, P.C.

(57) **CLAIM**

I claim the ornamental design for a shackle, as shown and described.

**DESCRIPTION**

FIG. 1 is a perspective view of a shackle showing my new design;  
 FIG. 2 is another perspective view thereof;  
 FIG. 3 is a front elevational view thereof;  
 FIG. 4 is a top plan view thereof;  
 FIG. 5 is a right side elevational view thereof;  
 FIG. 6 is a left side elevational view thereof;  
 FIG. 7 is a rear elevational view thereof; and,  
 FIG. 8 is a bottom plan view thereof.

The broken lines, which define the bounds of the claimed design form no part thereof.  
 The broken lines environmental are for illustrative purpose only and form no part of the claimed design.

**1 Claim, 2 Drawing Sheets**

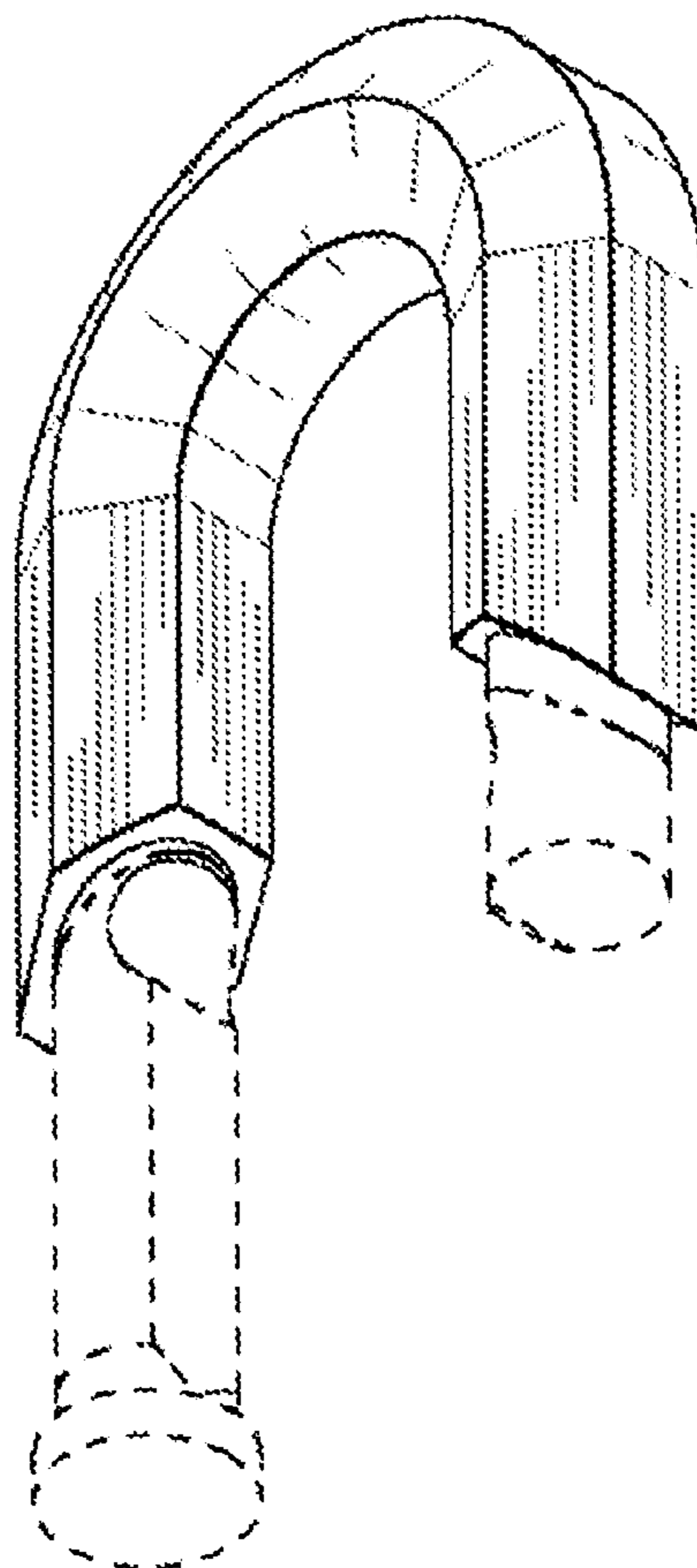


FIG. 1

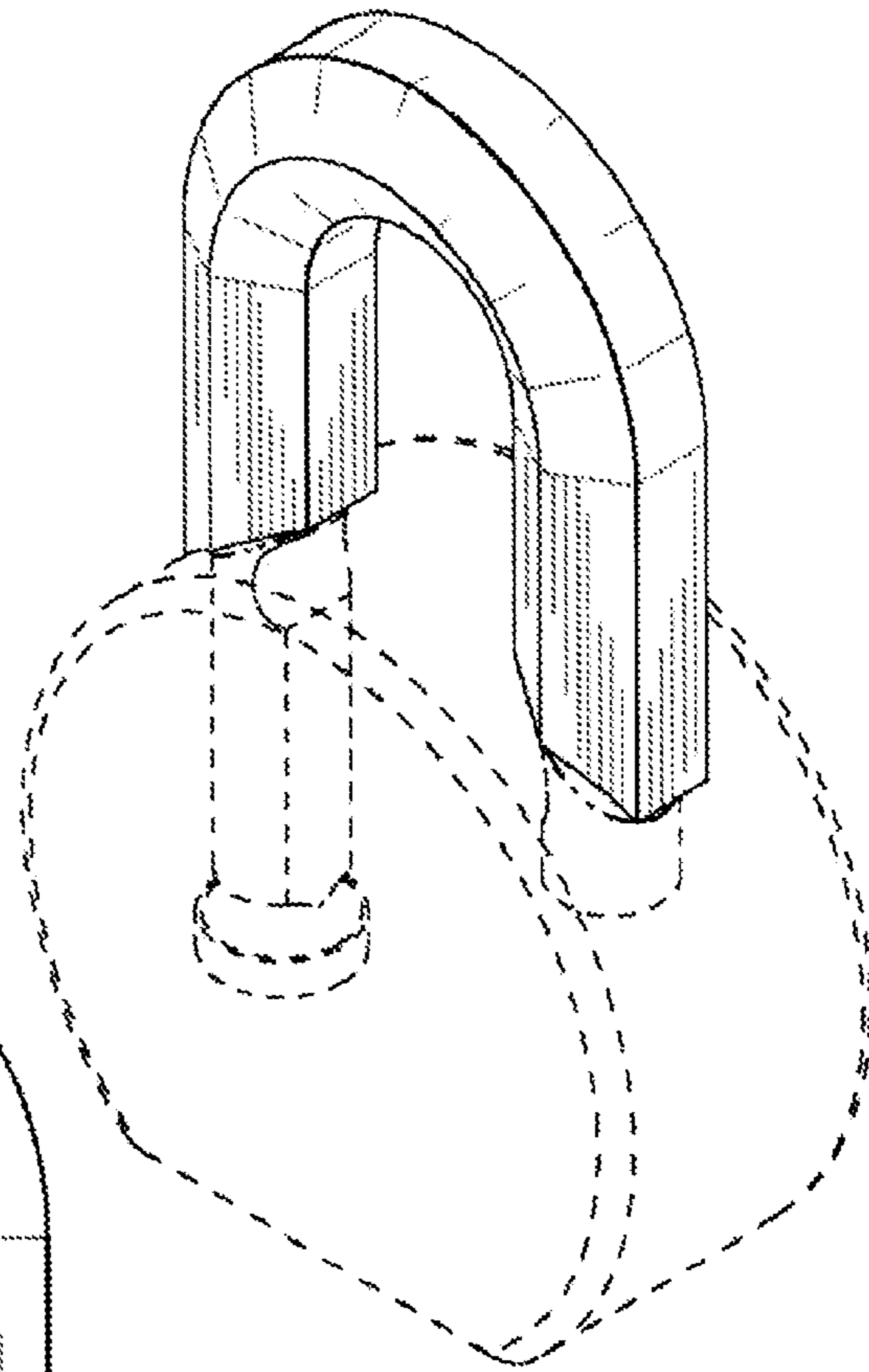


FIG. 3

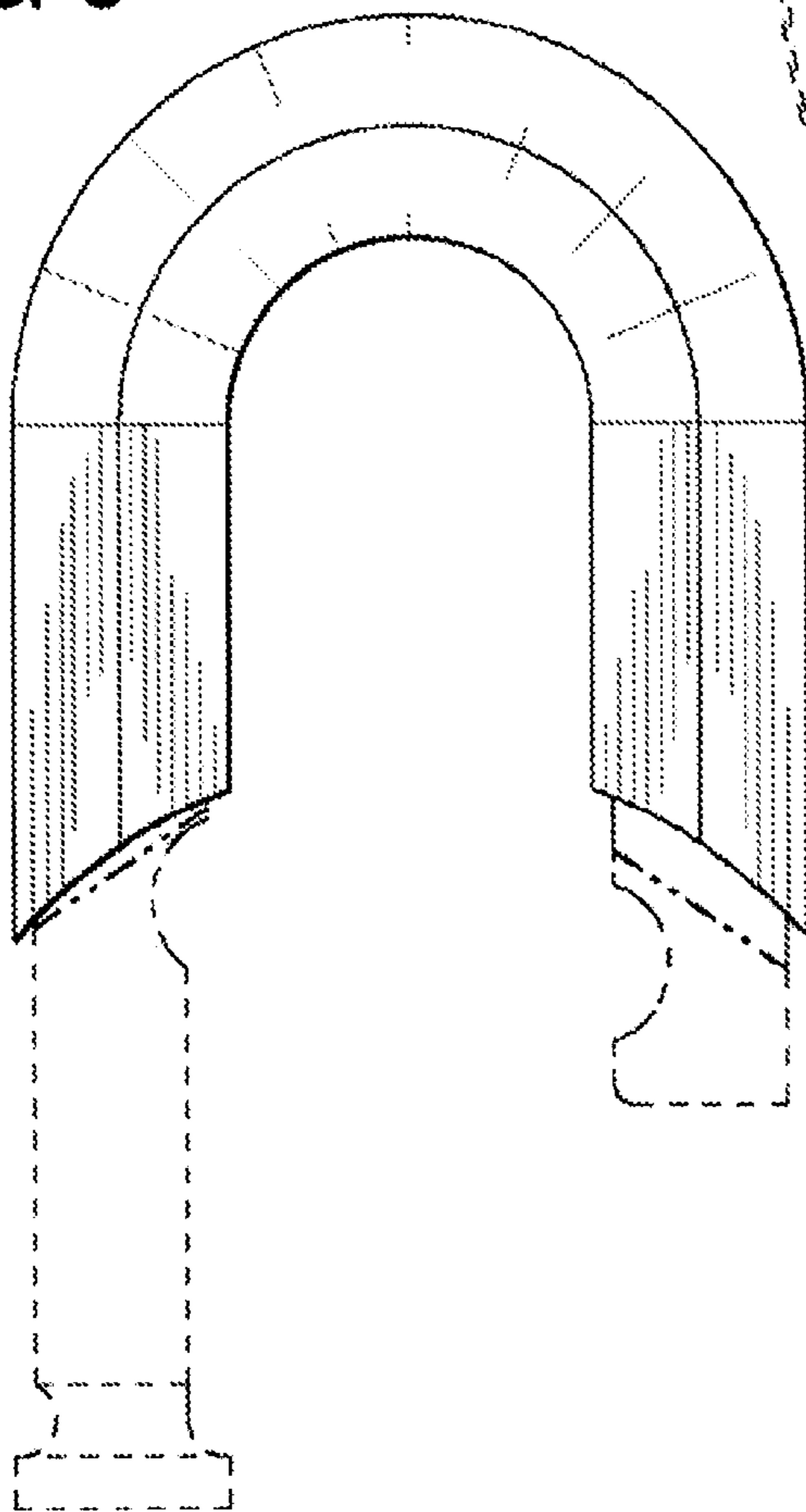


FIG. 2

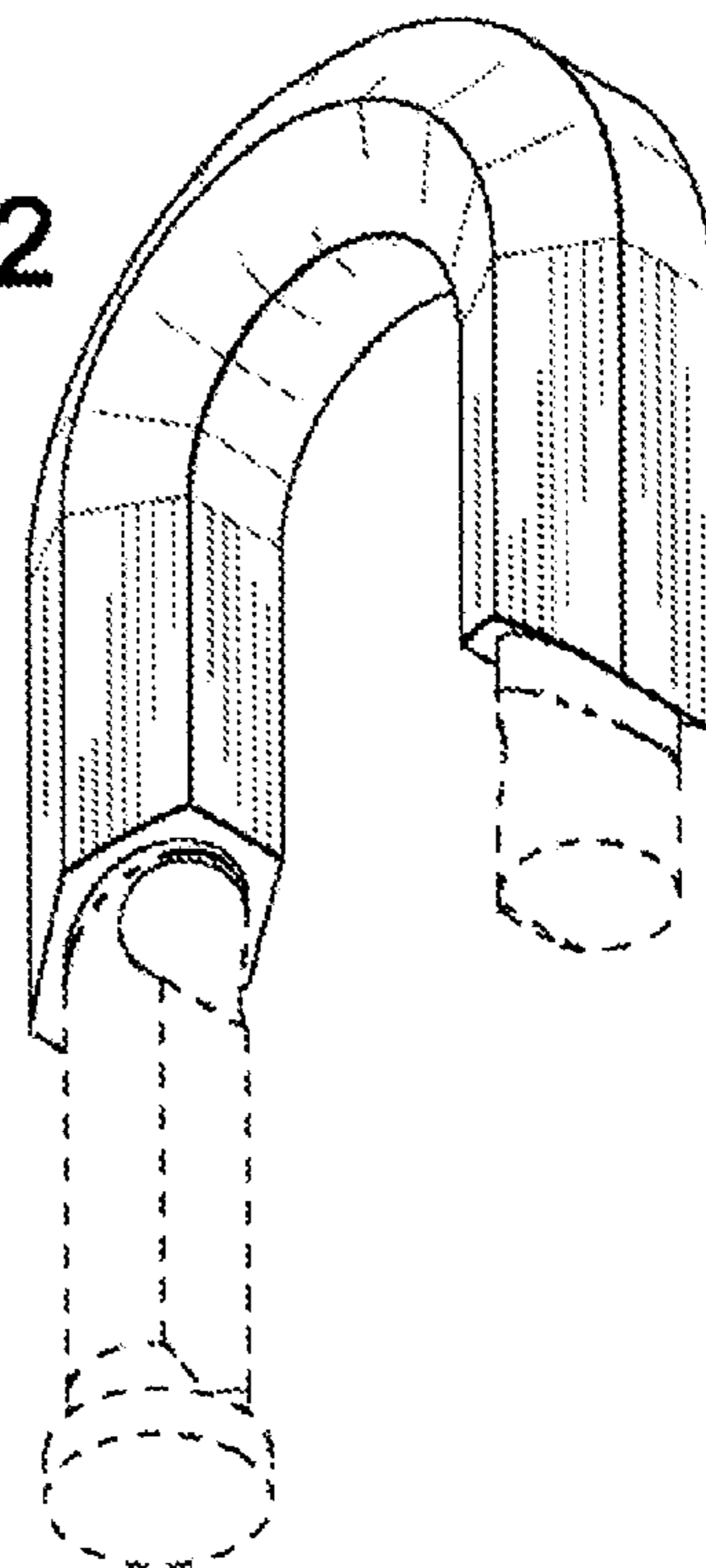
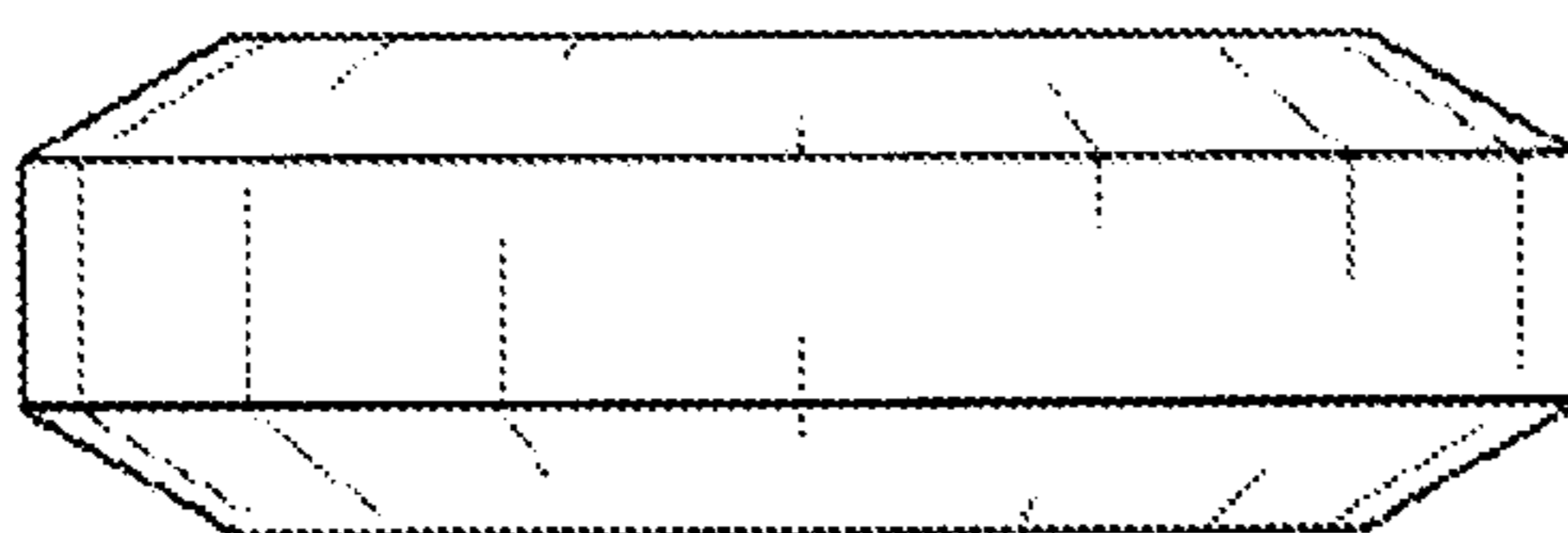


FIG. 5



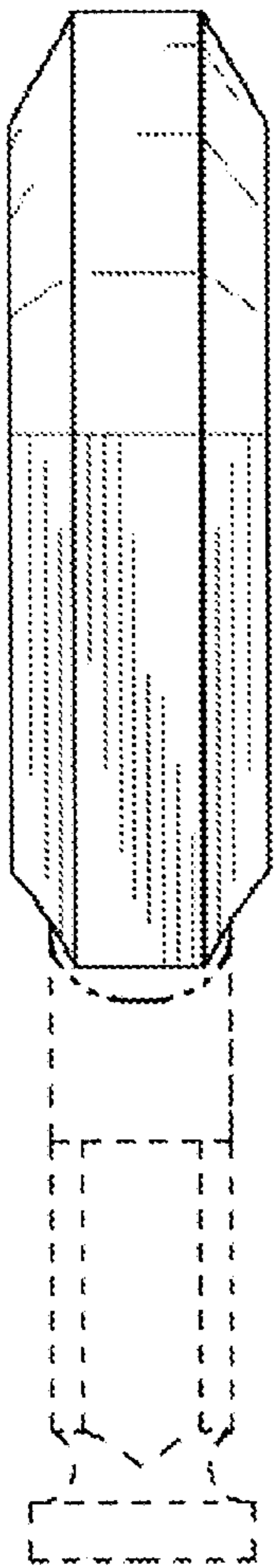


FIG. 5

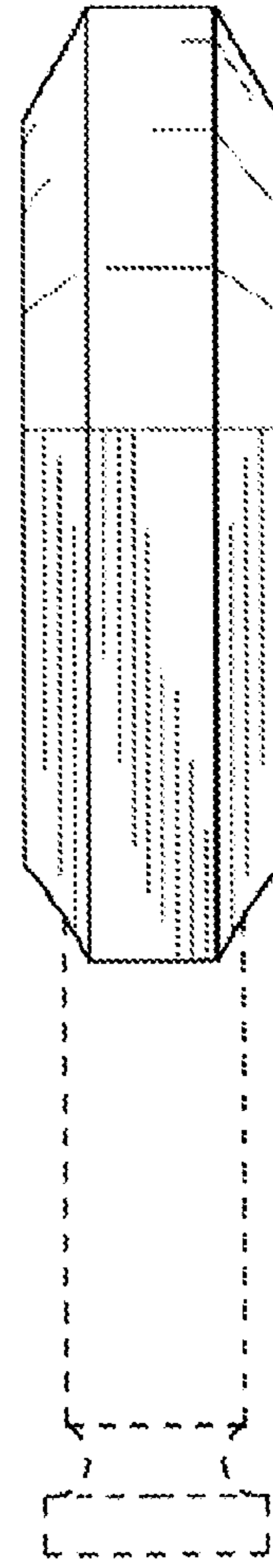


FIG. 6

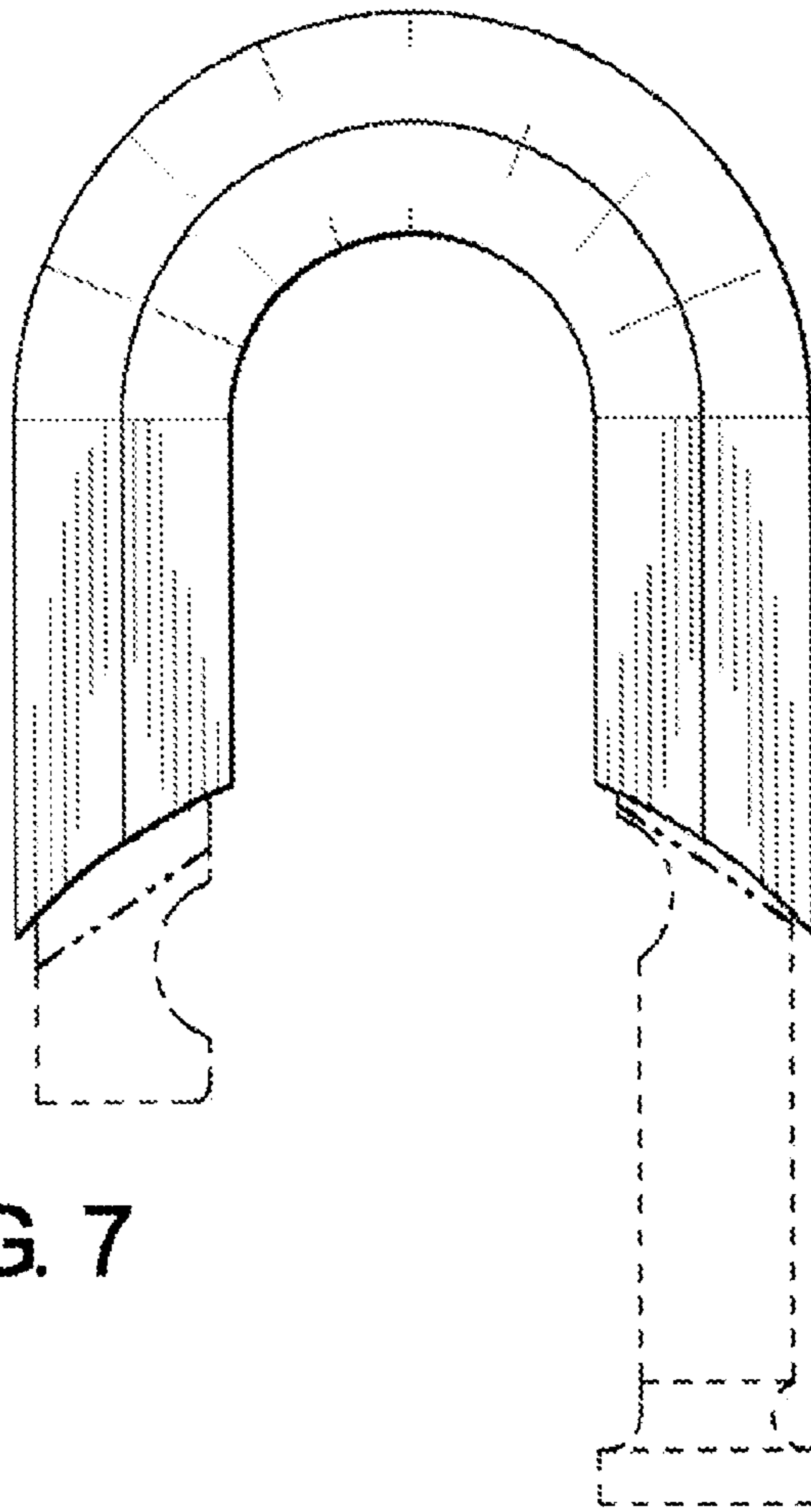


FIG. 7

FIG. 8

