



US00D539112S

(12) **United States Design Patent**
Sjösing

(10) **Patent No.:** **US D539,112 S**

(45) **Date of Patent:** **** Mar. 27, 2007**

(54) **IMPLEMENT HANDLE**

(76) **Inventor:** **Vigert Sjösing**, Vattenledningsvägen 95,
Stockholm (SE), SE-12635

(**) **Term:** **14 Years**

(21) **Appl. No.:** **29/255,584**

(22) **Filed:** **Mar. 10, 2006**

(30) **Foreign Application Priority Data**

Sep. 13, 2005 (EM) 000405204-0001

(51) **LOC (8) Cl.** **08-01**

(52) **U.S. Cl.** **D8/300**

(58) **Field of Classification Search** D8/300,
D8/303, 107, 1, 14, 80, DIG. 4; D7/105,
D7/395; D32/48-50; 15/236.01, 236.02,
15/236.05, 236.06, 143.1, 111, 176.1, 105;
16/429; 30/168, 169, 171

See application file for complete search history.

(56) **References Cited**

U.S. PATENT DOCUMENTS

D104,484 S * 5/1937 Weinig D7/395
3,363,316 A * 1/1968 Skarsten 30/171
D303,861 S * 10/1989 Chen D32/48

5,179,754 A * 1/1993 Stradnick 15/105
D381,483 S * 7/1997 Hartman D32/48
6,216,306 B1 * 4/2001 Esterson et al. 15/111
D448,265 S * 9/2001 Chen D8/80
D459,043 S * 6/2002 Backman et al. D32/49
6,546,596 B2 * 4/2003 Grote et al. 16/429
6,629,331 B2 * 10/2003 Panfili et al. 15/236.06

* cited by examiner

Primary Examiner—Paula A. Greene

(74) *Attorney, Agent, or Firm*—Jacobson Holman PLLC

(57) **CLAIM**

The ornamental design for an implement handle, as shown and described.

DESCRIPTION

FIG. 1 is a top view showing my new design for an implement handle,
FIG. 2 is a right side view thereof, the opposite side being a mirror image thereof,
FIG. 3 is a bottom view thereof,
FIG. 4 is a front view thereof,
FIG. 5 is a rear view thereof,
FIG. 6 is a front perspective view thereof; and,
FIG. 7 is a rear perspective view thereof.

1 Claim, 3 Drawing Sheets

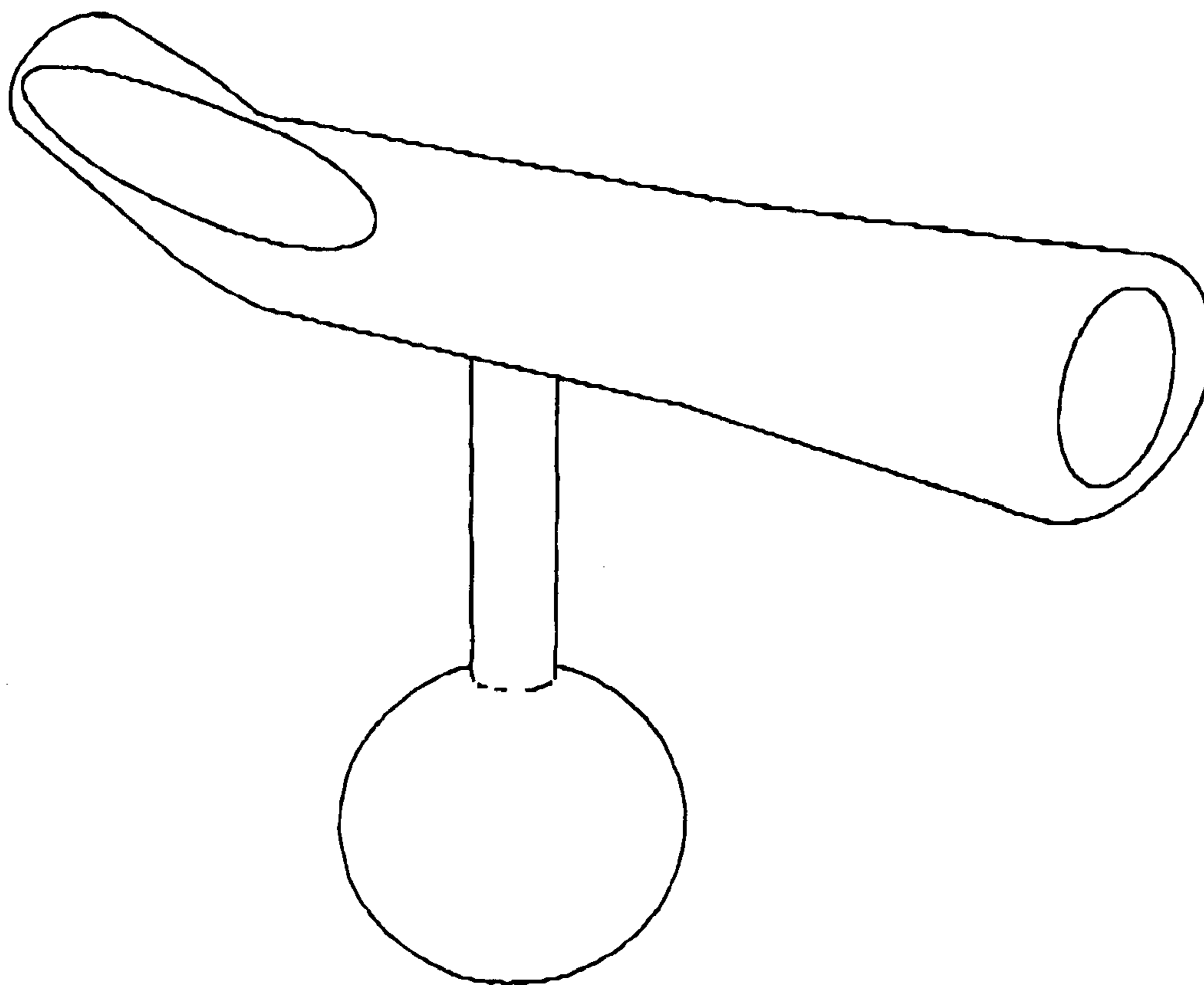


FIG. 1

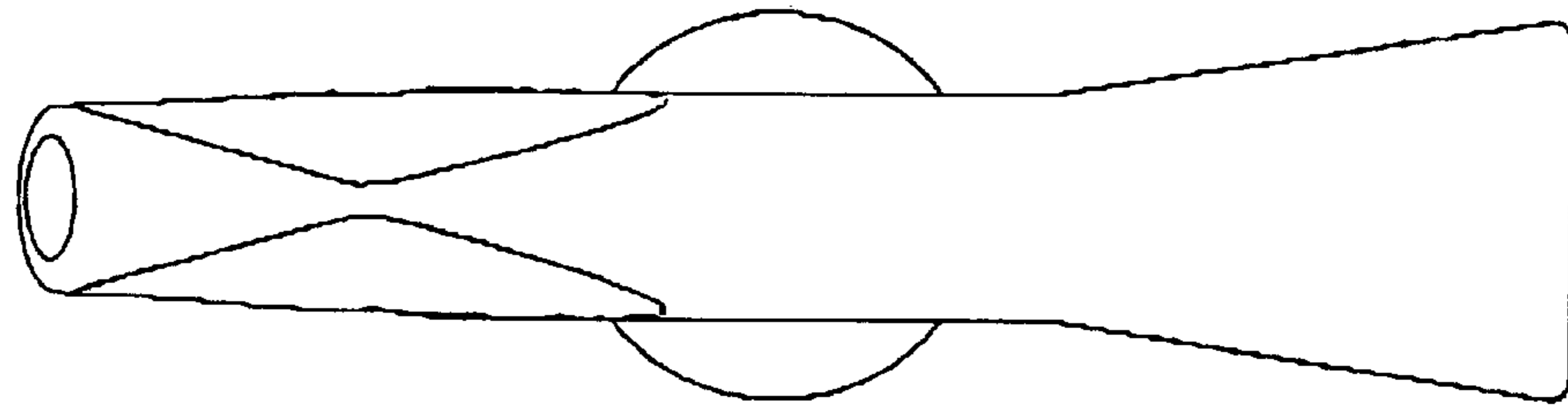


FIG. 2

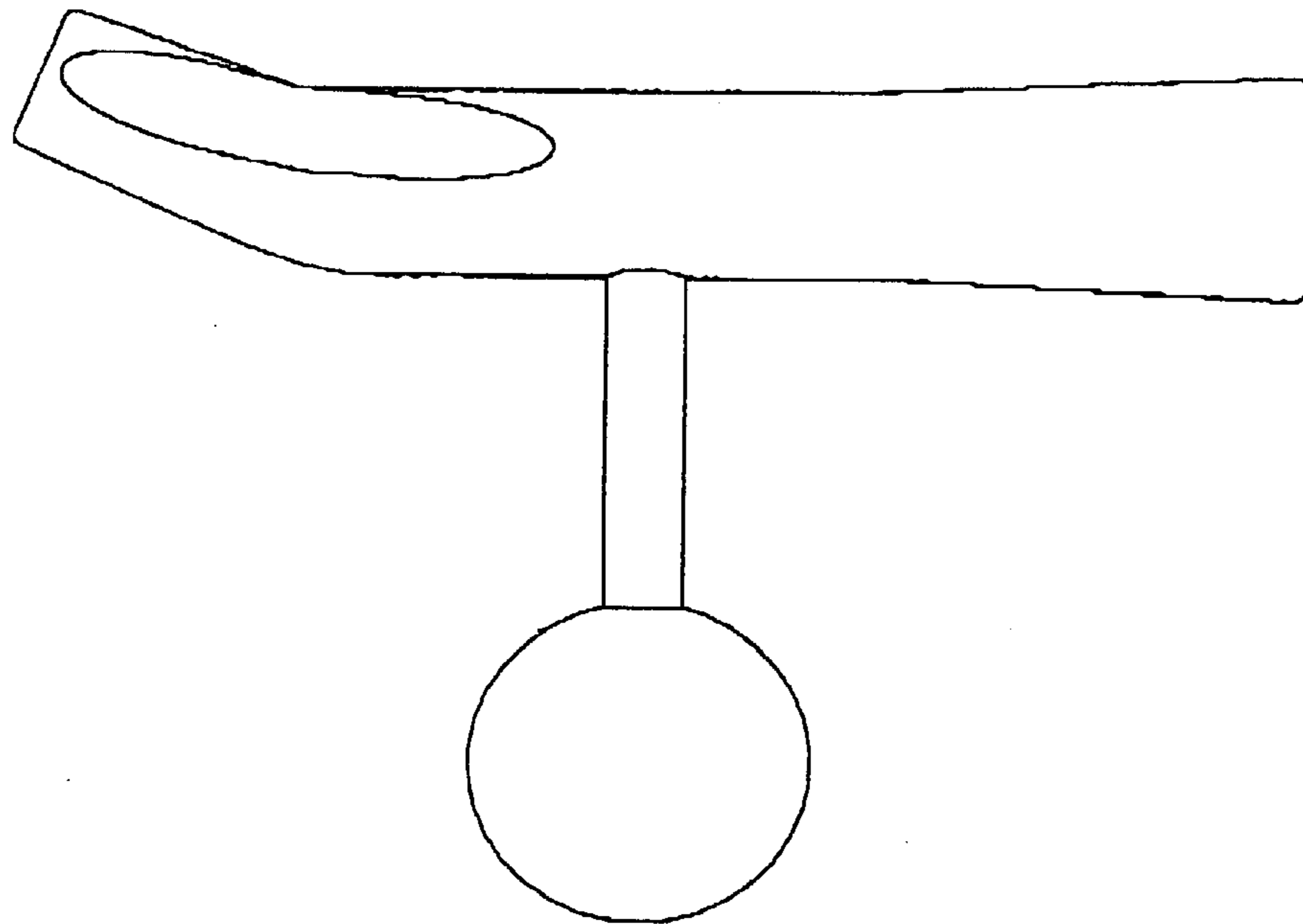


FIG. 3

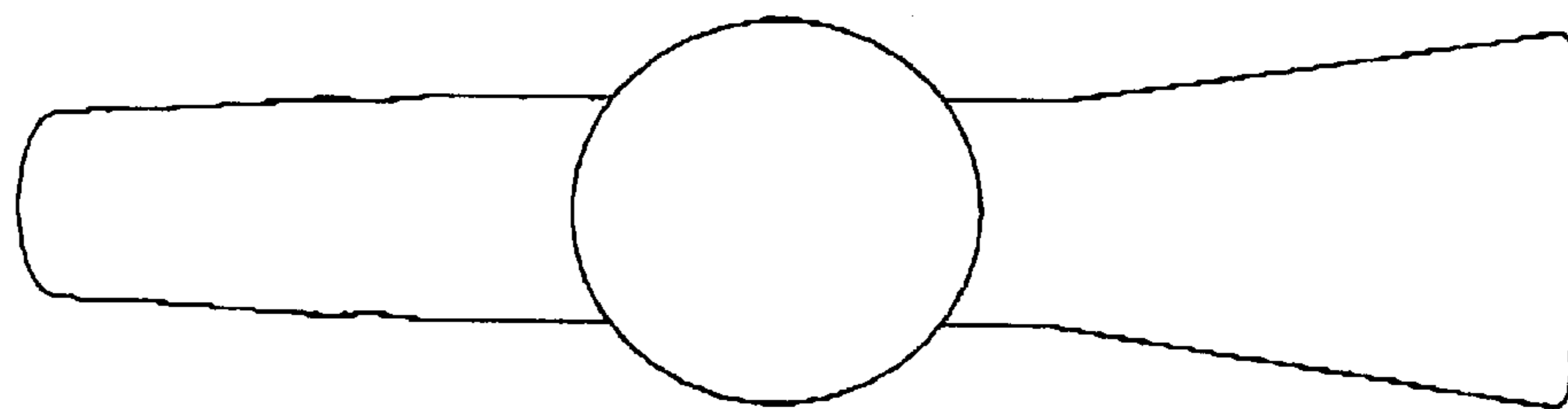


FIG. 4

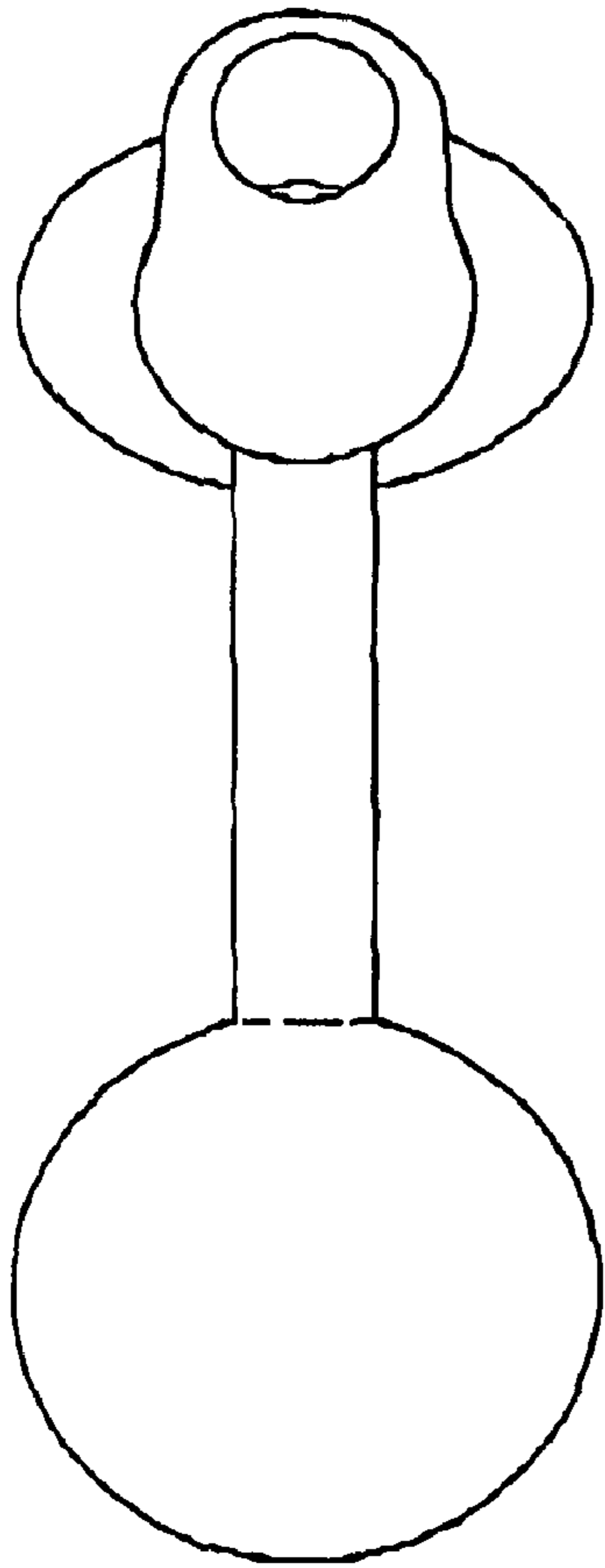


FIG. 5

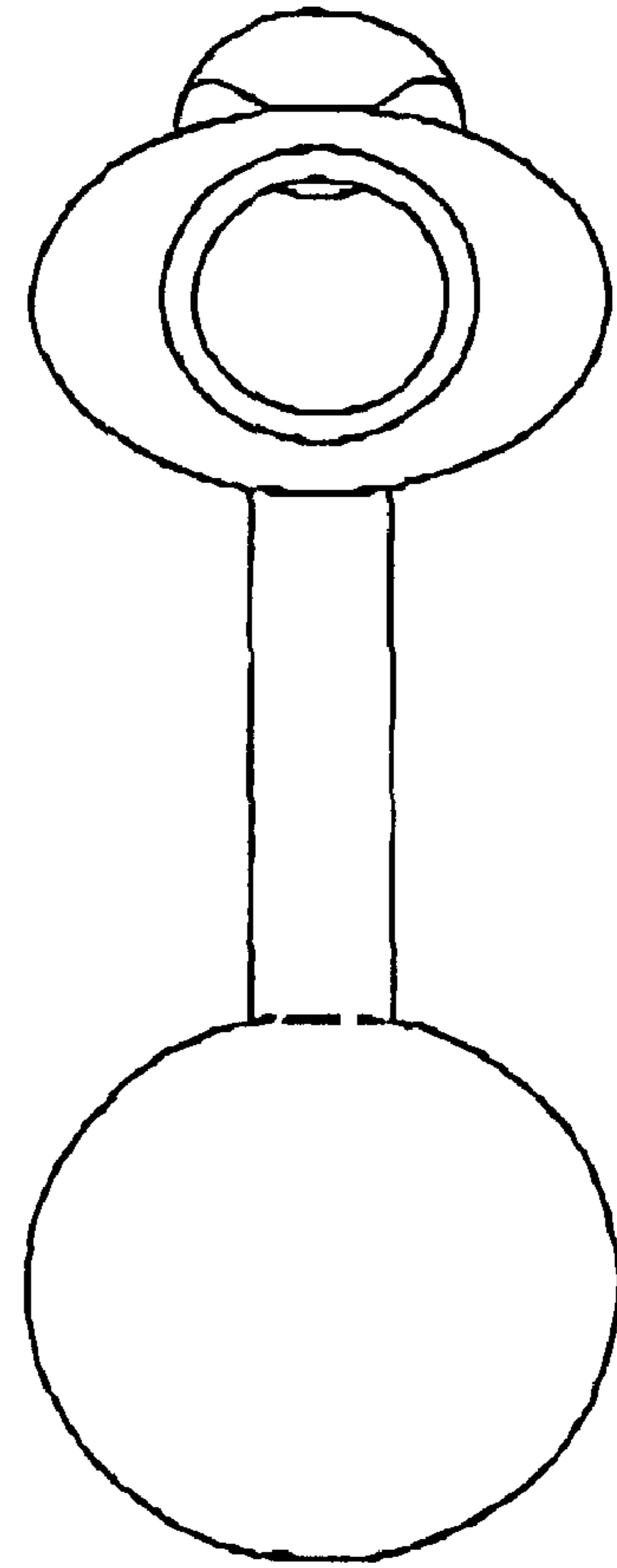


FIG. 6

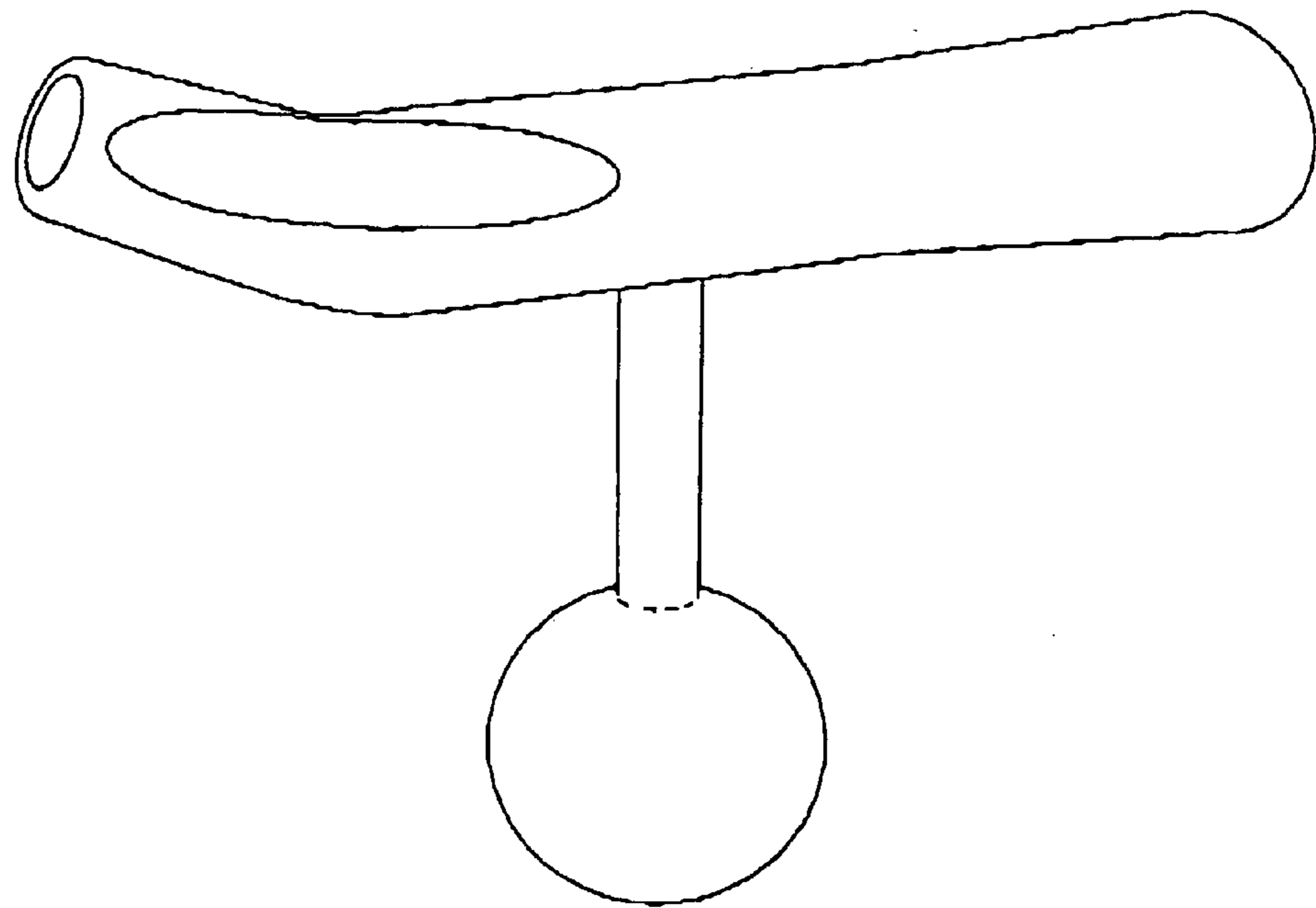


FIG. 7

