



US00D539111S

(12) **United States Design Patent**  
**Cardew et al.**

(10) **Patent No.:** **US D539,111 S**

(45) **Date of Patent:** **\*\* Mar. 27, 2007**

(54) **MANUAL SHARPENER**

(76) Inventors: **Tobias Michael Cardew**, Manor Farm, Newton Tony, Salisbury, Salisbury (GB), SP4 OHA; **Gervase Lionel Thorngate Evans**, 1 Pauls Dene Crescent, Salisbury, Wiltshire (GB), SP1 3QU

(\*\*) Term: **14 Years**

(21) Appl. No.: **29/226,603**

(22) Filed: **Mar. 30, 2005**

(51) **LOC (8) Cl.** ..... **08-05**

(52) **U.S. Cl.** ..... **D8/91**

(58) **Field of Classification Search** ..... D8/45,  
D8/90-93, 98, 101; 76/82, 88; 451/540, 557-559  
See application file for complete search history.

(56) **References Cited**

**U.S. PATENT DOCUMENTS**

D141,159	S	*	5/1945	Doniger	.....	D8/90
3,034,267	A	*	5/1962	Feeney	.....	451/492
3,837,123	A	*	9/1974	Bradbury	.....	451/545
5,168,672	A	*	12/1992	Gregoire, Sr.	.....	451/502
5,337,523	A	*	8/1994	Walsh	.....	451/502
D356,935	S	*	4/1995	Demers	.....	D8/90
D356,936	S	*	4/1995	Demers	.....	D8/90
D386,058	S	*	11/1997	Schmidt	.....	D8/90
6,017,267	A	*	1/2000	Ariza et al.	.....	451/523
D477,522	S	*	7/2003	James	.....	D8/101

**OTHER PUBLICATIONS**

Chisel and Plane Blade Sharpening Guide. Downloaded Feb. 16, 2006 at [http://www.shop.com/op/Chisel\\_and\\_Plane\\_Blade\\_Sharpening\\_Guide-prod-5909598-844527-2?sourceid...](http://www.shop.com/op/Chisel_and_Plane_Blade_Sharpening_Guide-prod-5909598-844527-2?sourceid...)\*

Module 4: Chisel & Plane Sharpener. Downloaded Feb. 16, 2006 at <http://www.plasplugs.com/drill.html>.\*

\* cited by examiner

*Primary Examiner*—Philip S. Hyder

*Assistant Examiner*—RoseLynne (Ulm) Cody

(74) *Attorney, Agent, or Firm*—David Kiewit

(57) **CLAIM**

The ornamental design for a manual sharpener, as shown and described.

**DESCRIPTION**

FIG. 1 is a perspective view from the front of a sharpener showing our new design.

FIG. 2 is a perspective view from the rear thereof,

FIG. 3 is a perspective view thereof.

FIG. 4 is a perspective view from the bottom thereof.

FIG. 5 is a perspective view from the top thereof; and,

FIG. 6 is a right side elevational view thereof, the left side being a mirror image thereof.

The dashed lines are for illustrative purposes and form no part of the claimed design.

**1 Claim, 6 Drawing Sheets**

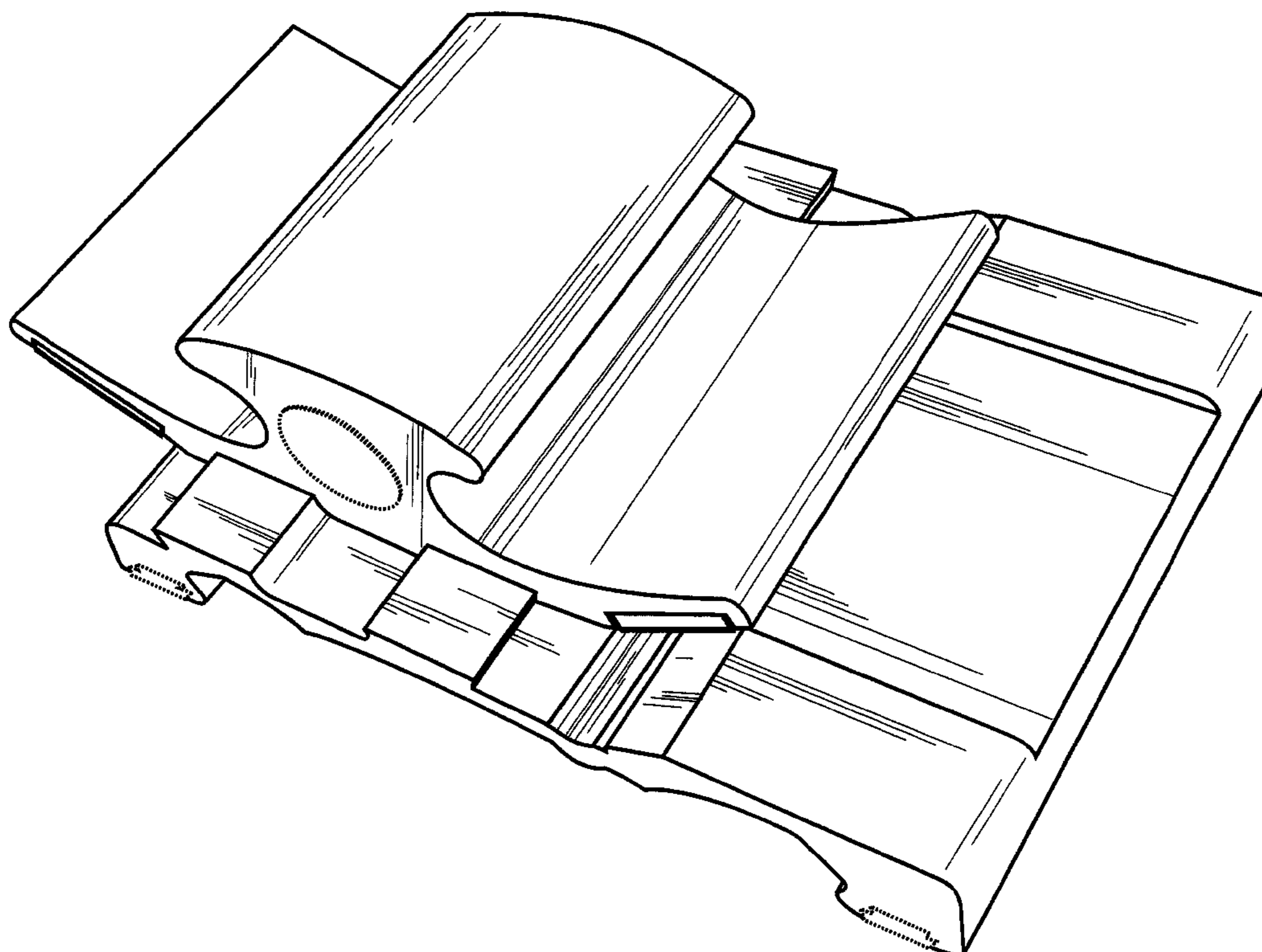


FIG 1



FIG 2

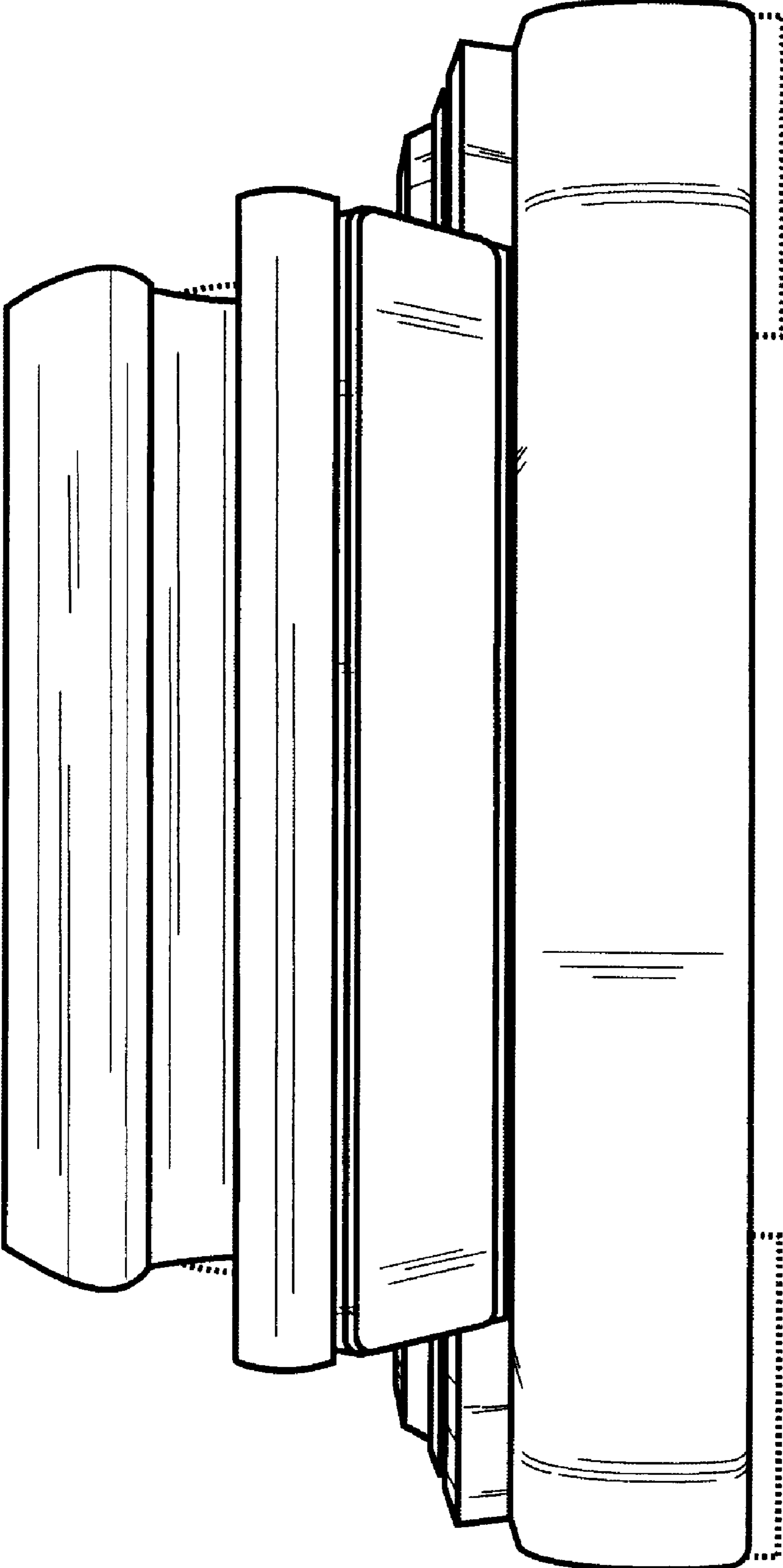


FIG 3

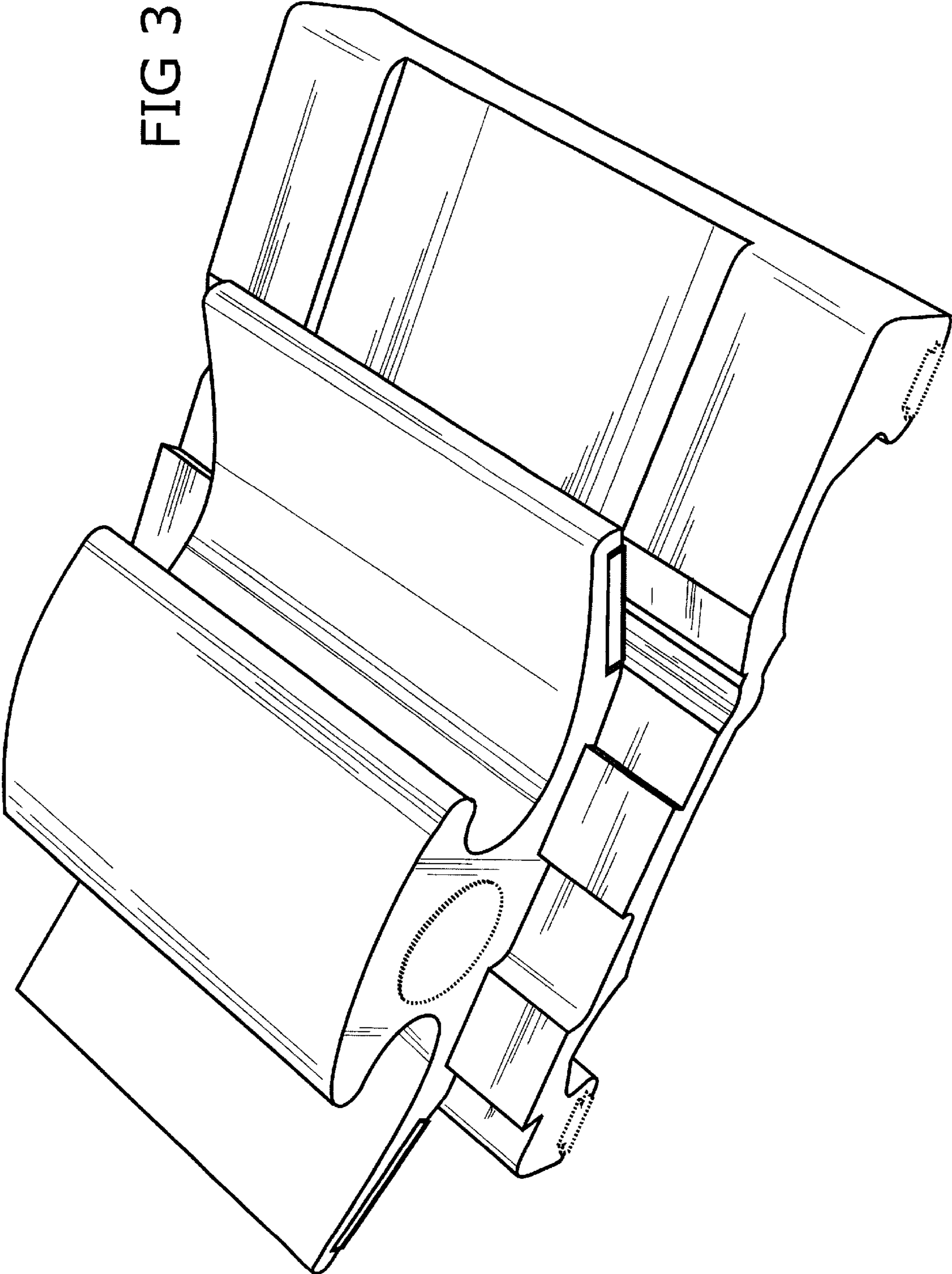


FIG 4

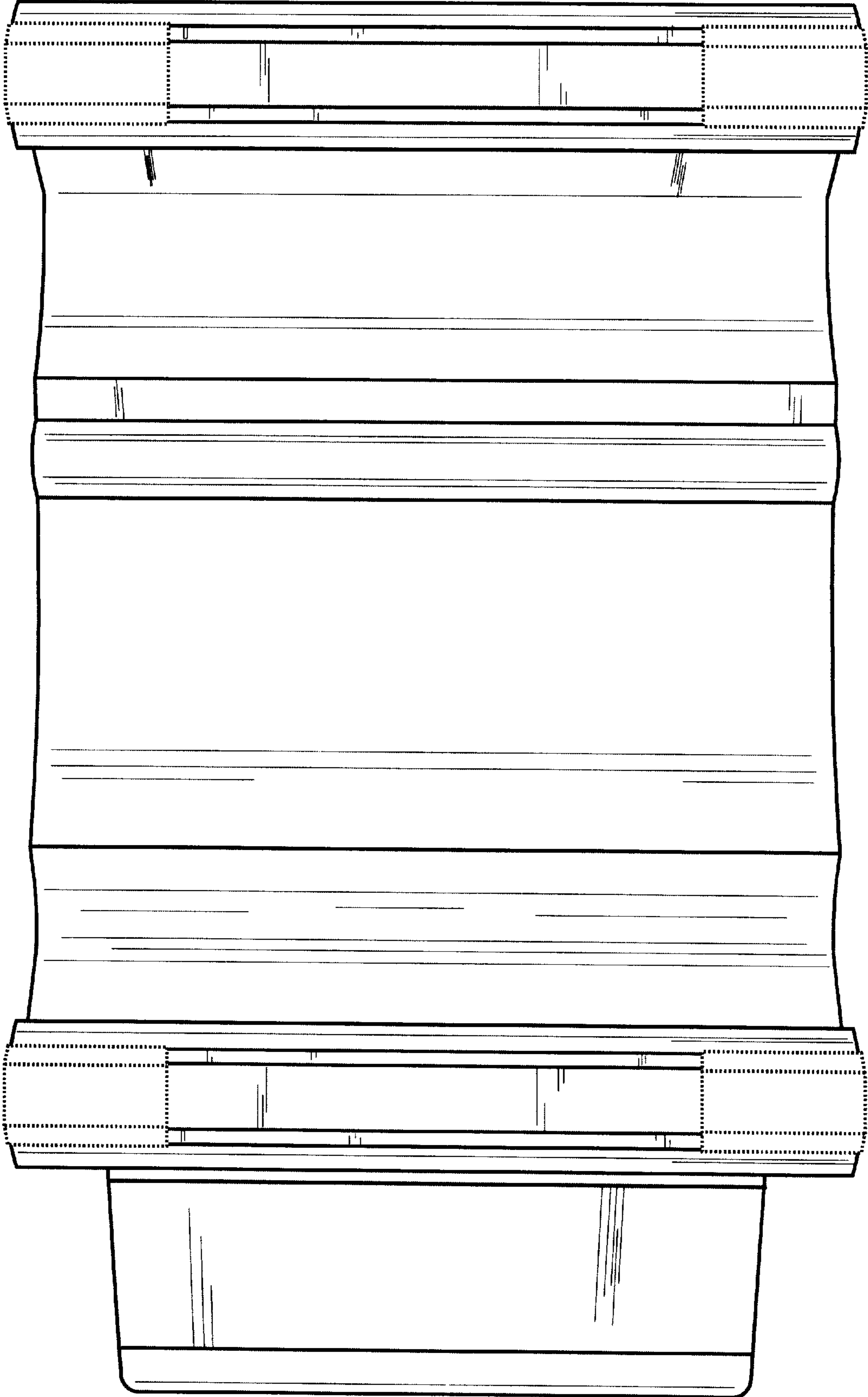


FIG 5

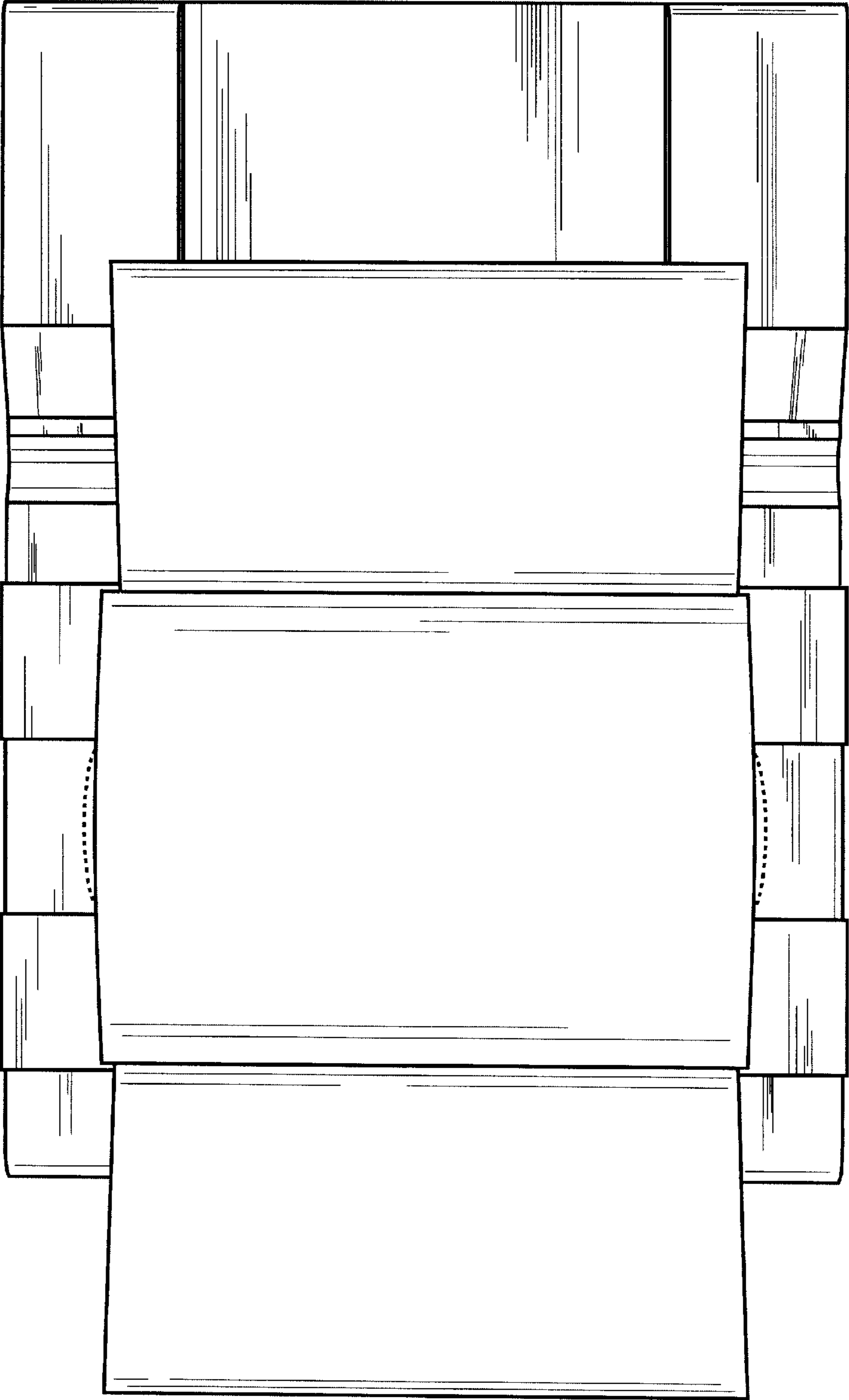


FIG 6

