



US00D539108S

(12) **United States Design Patent**
Roberts

(10) **Patent No.:** **US D539,108 S**
(45) **Date of Patent:** **** Mar. 27, 2007**

(54) **POWERED CIRCULAR SAW**
(75) Inventor: **Nigel Roberts**, Bedale (GB)
(73) Assignee: **GMCA Pty Limited** (AU)
(**) Term: **14 Years**
(21) Appl. No.: **29/246,926**
(22) Filed: **May 22, 2006**

(30) **Foreign Application Priority Data**

Nov. 24, 2005 (EM) 000439757

(51) **LOC (8) Cl.** **08-03**
(52) **U.S. Cl.** **D8/66**
(58) **Field of Classification Search** D8/69,
D8/68, 67, 66, 64, 61, 70; 83/698.41, 747;
30/166.3, 374, 373, 375, 376, 391, 377, 390,
30/388, 389; 125/13.01; 144/218
See application file for complete search history.

(56) **References Cited**

U.S. PATENT DOCUMENTS

5,010,651 A * 4/1991 Techter et al. 303/76
D329,363 S * 9/1992 Sasaki et al. D8/66
5,911,482 A * 6/1999 Campbell et al. 30/390
D453,099 S * 1/2002 Welsh D8/66
D460,672 S * 7/2002 Pretzell D8/66
D466,385 S * 12/2002 Shigo et al. D8/66
D474,952 S * 5/2003 Andriolo D8/66
D475,266 S * 6/2003 Sakai et al. D8/66

6,612,038 B2 * 9/2003 Onose et al. 30/391
D488,977 S * 4/2004 Evans D8/66
D500,438 S * 1/2005 Andriolo D8/66
D501,776 S * 2/2005 Wu D8/66
D501,777 S * 2/2005 Wu D8/66
D502,074 S * 2/2005 Sham et al. D8/66
D502,373 S * 3/2005 Wu D8/66
D503,878 S * 4/2005 Tillman et al. D8/66
D522,336 S * 6/2006 Waldron D8/66
2003/0131484 A1 * 7/2003 Yoshida et al. 30/376
2004/0107584 A1 * 6/2004 Yoshida et al. 30/391

* cited by examiner

Primary Examiner—Cathron C. Brooks

Assistant Examiner—Austin Murphy

(74) *Attorney, Agent, or Firm*—McKee, Voorhees & Sease,
P.L.C.

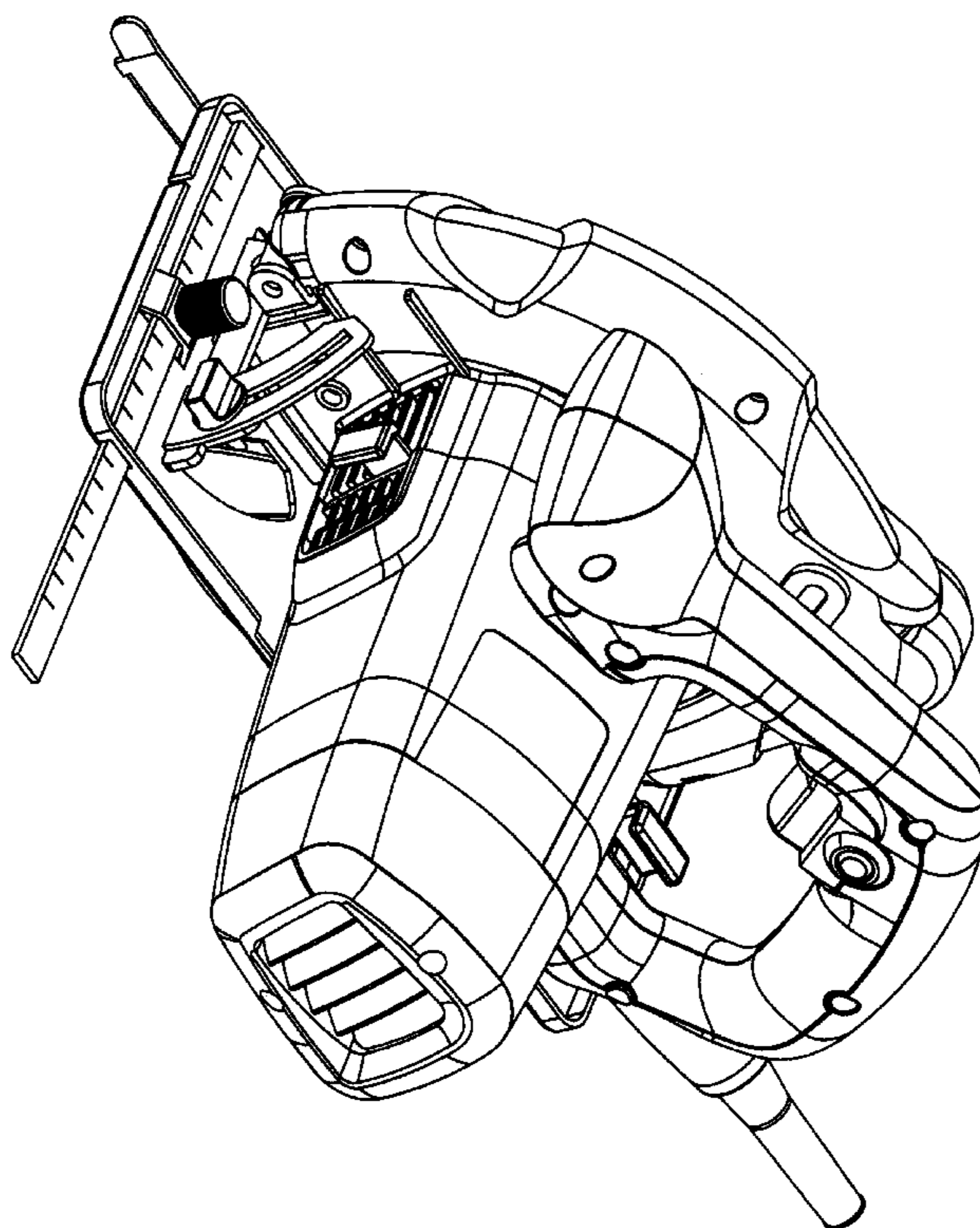
(57) **CLAIM**

I claim the ornamental design for a powered circular saw,
substantially as shown.

DESCRIPTION

FIG. 1 is a perspective view of the powered circular saw.
FIG. 2 is a side view of the powered circular saw.
FIG. 3 is a rear view of the powered circular saw.
FIG. 4 is a front view of the powered circular saw.
FIG. 5 is an opposite side view of the powered circular saw.
FIG. 6 is a top view of the powered circular saw; and,
FIG. 7 is a bottom view of the powered circular saw.

1 Claim, 7 Drawing Sheets



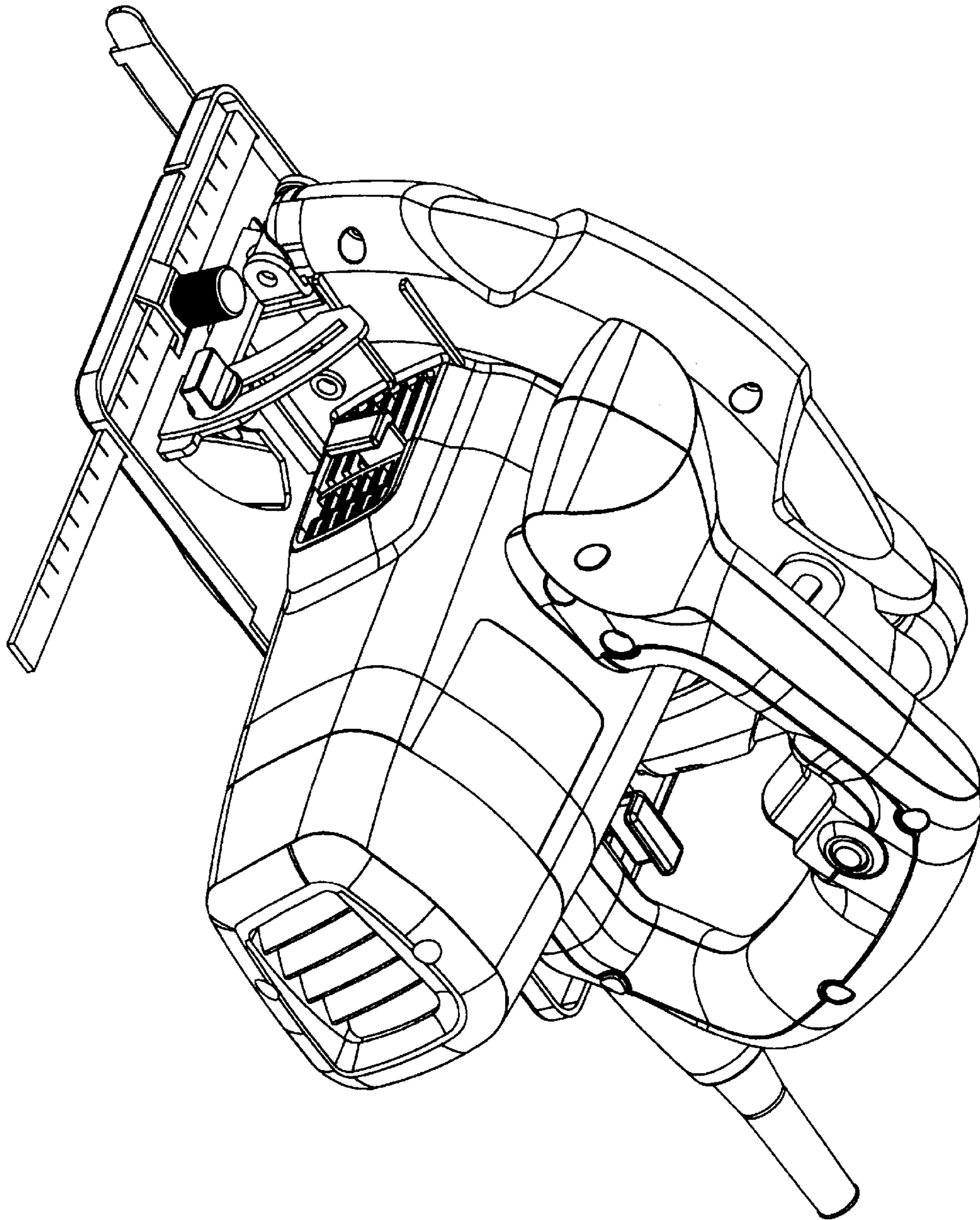


FIGURE 1

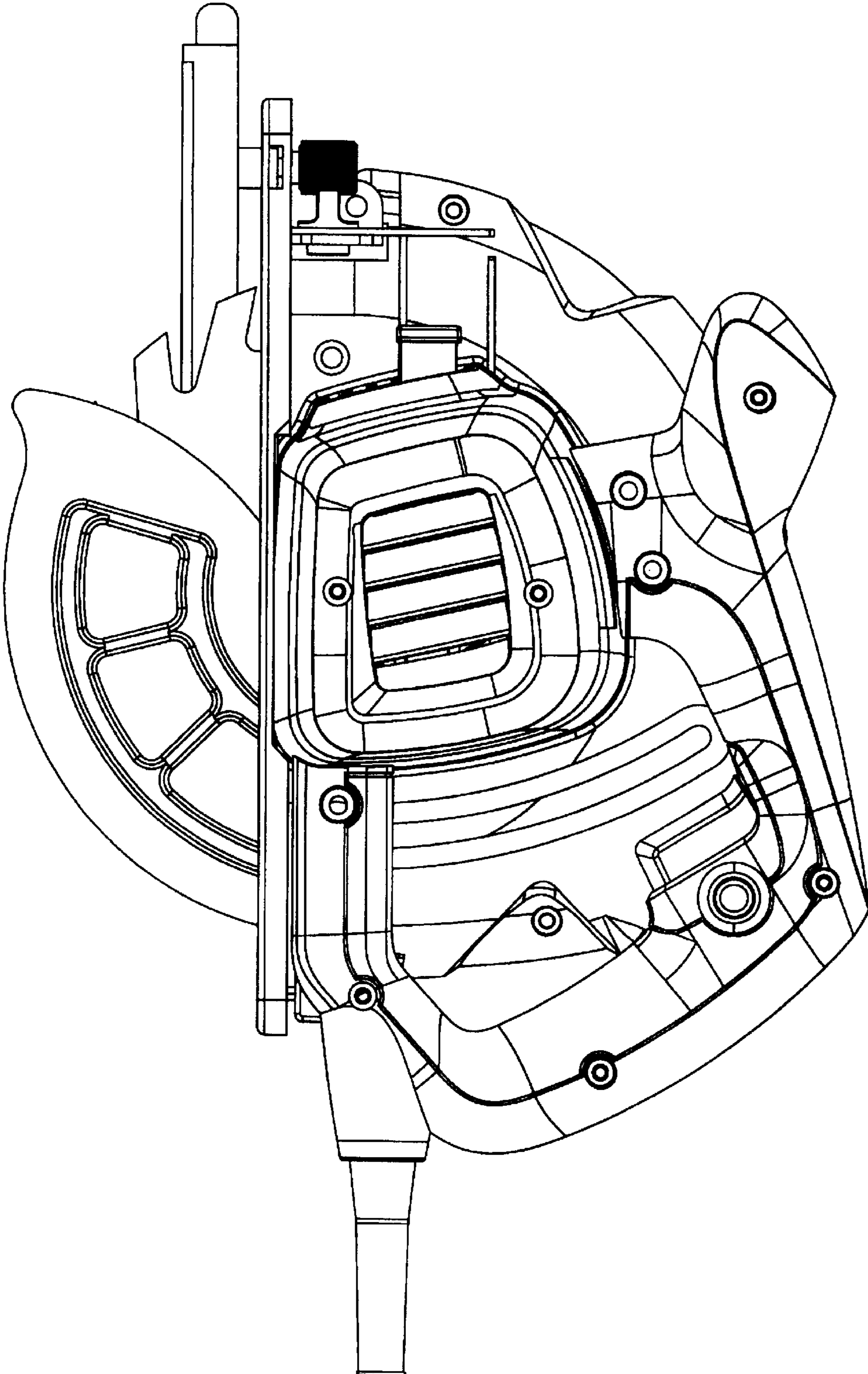


FIGURE 2

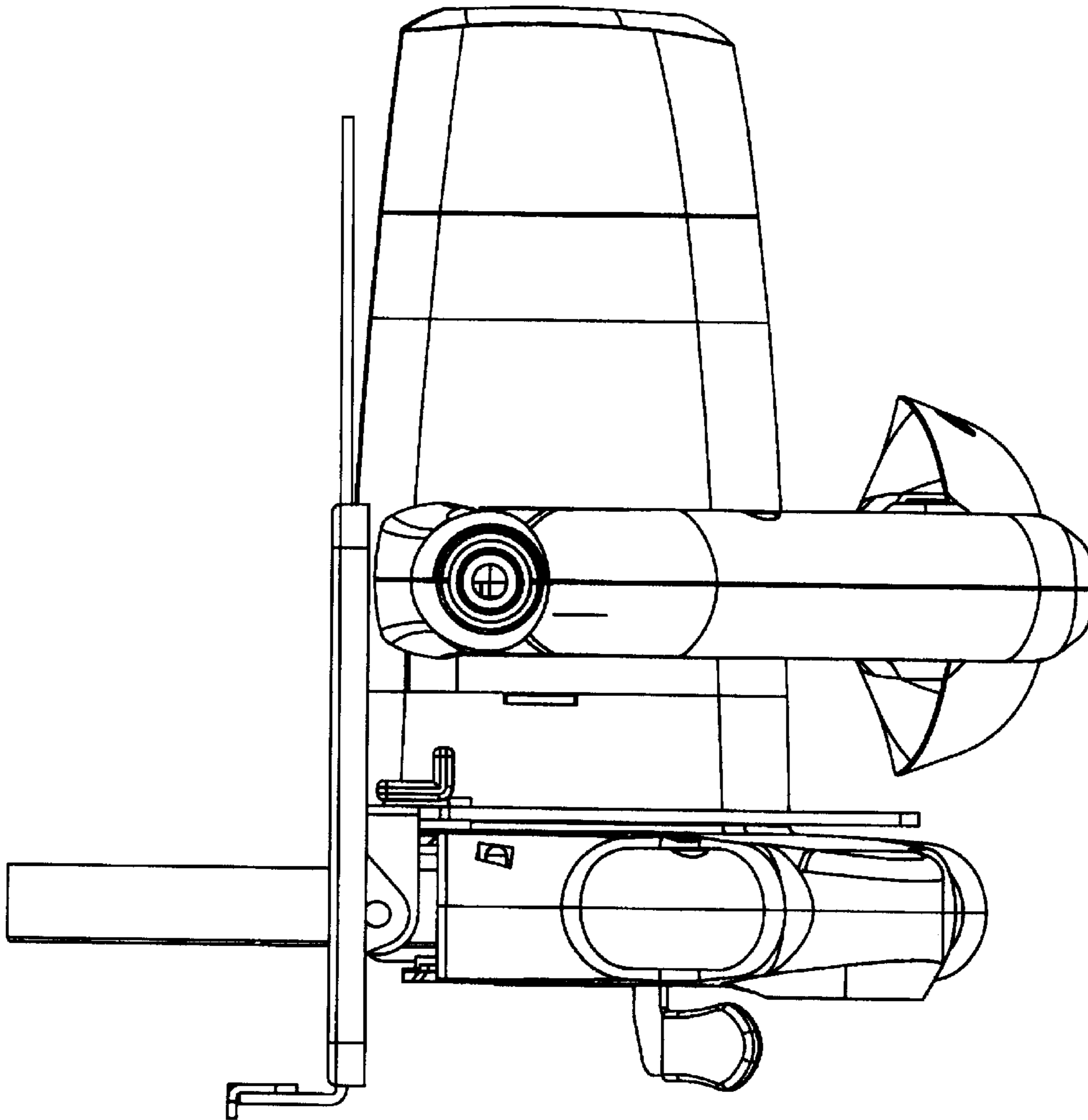


FIGURE 3

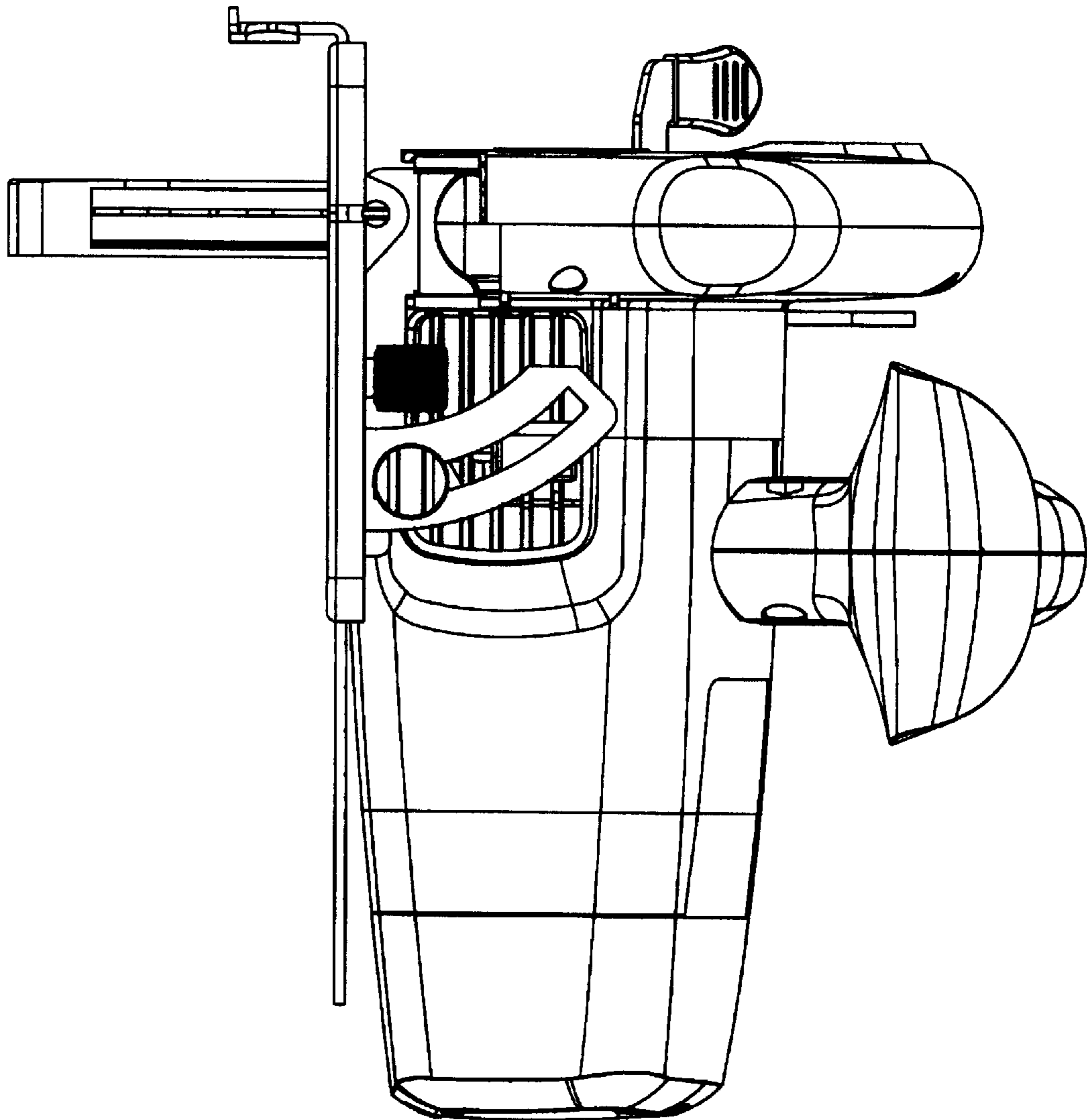


FIGURE 4

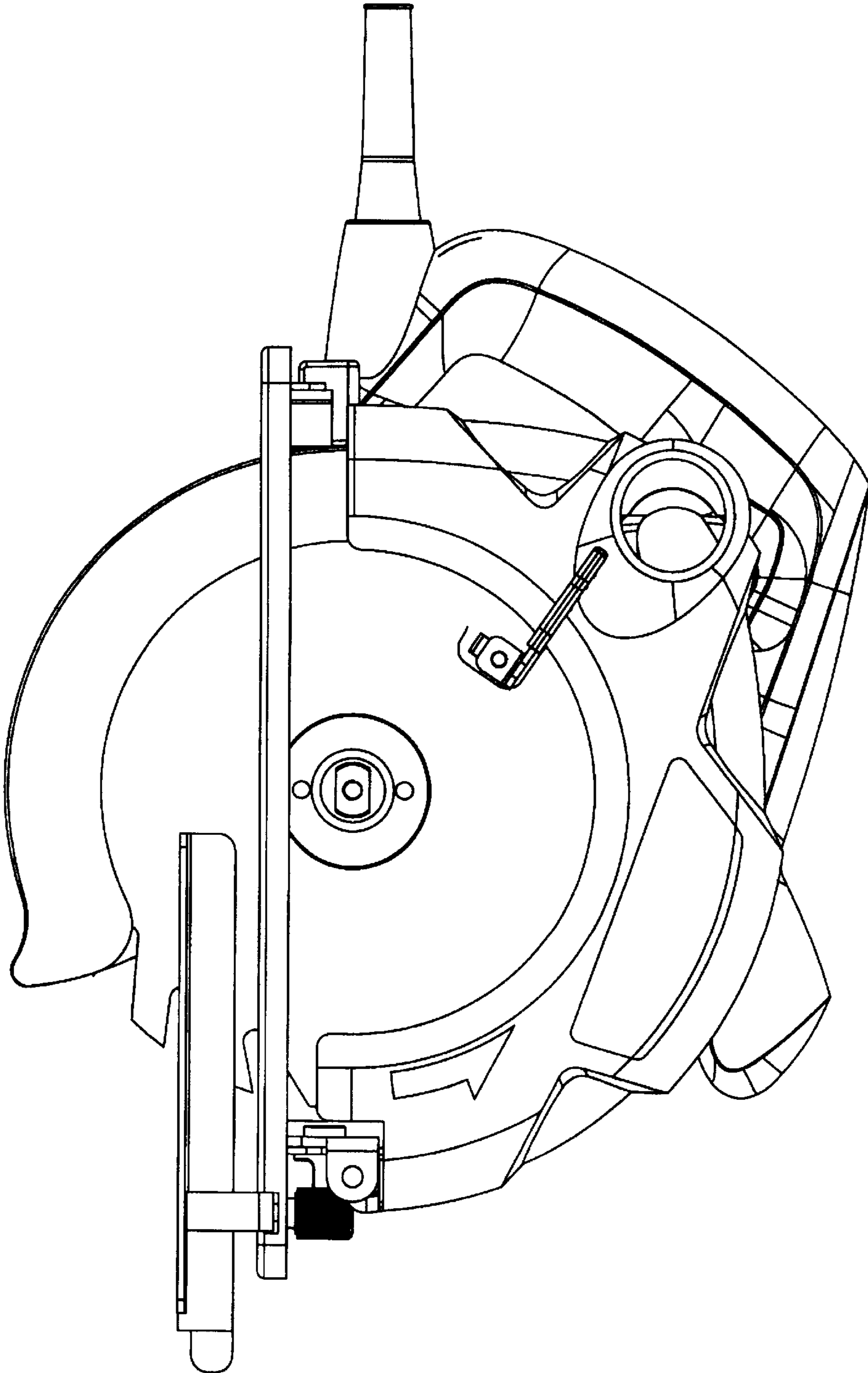


FIGURE 5

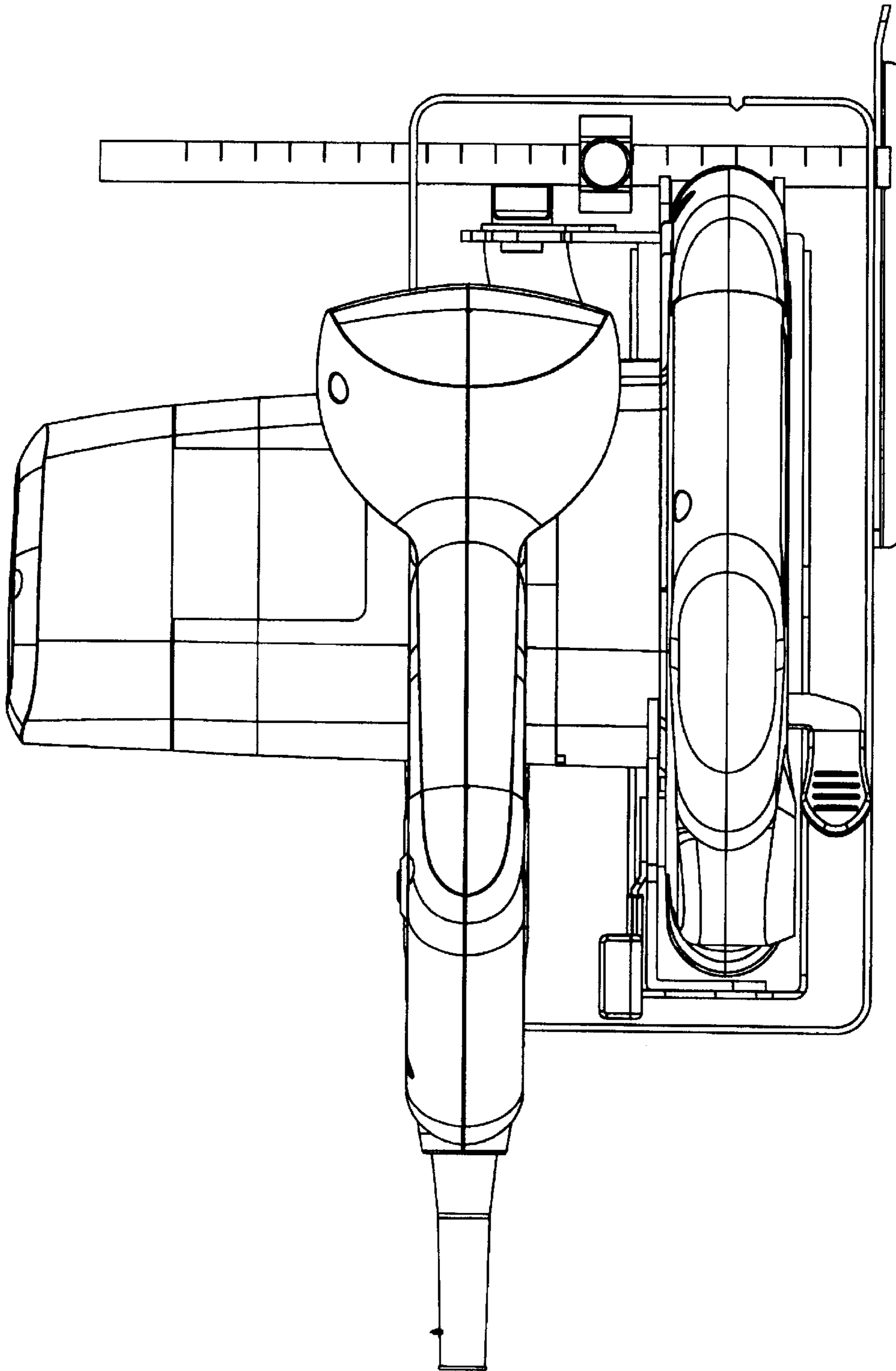


FIGURE 6

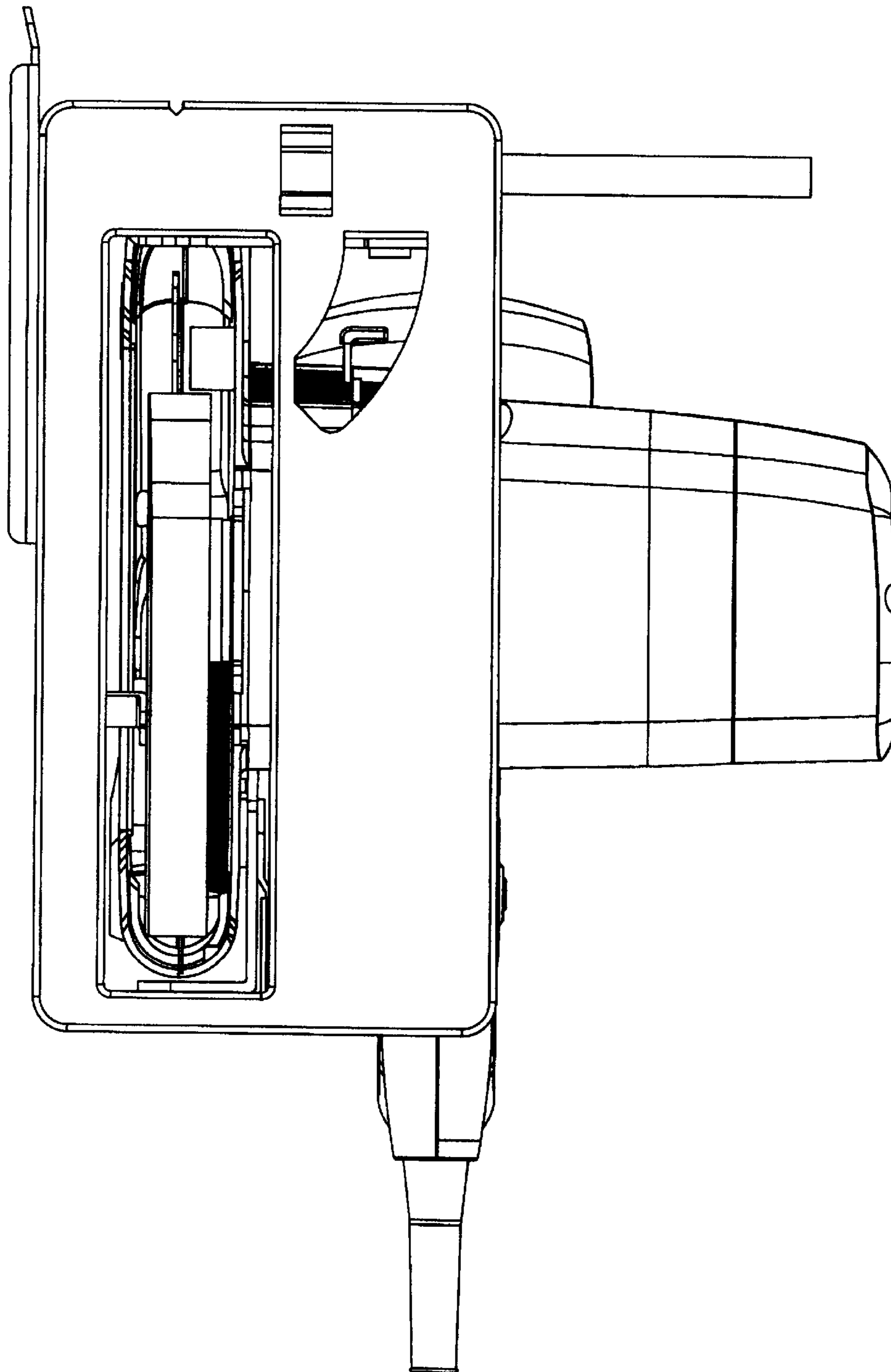


FIGURE 7