



US00D539107S

(12) **United States Design Patent**  
**Chu**

(10) **Patent No.:** **US D539,107 S**

(45) **Date of Patent:** **\*\* Mar. 27, 2007**

(54) **ELECTRIC SANDER**

(75) **Inventor:** **Vincent Yiu Tak Chu**, Hong Kong  
(HK)

(73) **Assignee:** **Choon Nang Electrical Appliance**  
**Mfy., Ltd.**, Hong Kong (HK)

(\*\*) **Term:** **14 Years**

(21) **Appl. No.:** **29/227,055**

(22) **Filed:** **Apr. 6, 2005**

(30) **Foreign Application Priority Data**

Jan. 18, 2005 (HK) ..... 0500122.3M001

(51) **LOC (8) Cl.** ..... **08-01**

(52) **U.S. Cl.** ..... **D8/62**

(58) **Field of Classification Search** ..... D8/67,  
D8/62, 61; D32/15, 17, 19, 50; D4/102; 451/359,  
451/358, 357, 356, 355, 354, 353, 351, 344,  
451/456, 451

See application file for complete search history.

(56) **References Cited**

**U.S. PATENT DOCUMENTS**

5,123,216 A \* 6/1992 Kloss et al. .... 451/357  
D343,104 S \* 1/1994 Hoshino ..... D8/62  
5,398,454 A \* 3/1995 Berner ..... 451/357  
5,558,569 A \* 9/1996 Lee ..... 451/356  
D374,386 S \* 10/1996 Bosten et al. .... D8/62  
D413,242 S \* 8/1999 Robson ..... D8/62

D413,245 S \* 8/1999 Robson ..... D8/70  
6,004,194 A \* 12/1999 Hild et al. .... 451/357  
D447,038 S \* 8/2001 Netzler ..... D8/70  
D447,397 S \* 9/2001 Netzler ..... D8/62  
D453,460 S \* 2/2002 Lui ..... D8/62  
D459,965 S \* 7/2002 Pretzell ..... D8/62  
6,699,112 B2 \* 3/2004 Bergner et al. .... 451/357  
D494,434 S \* 8/2004 Sun et al. .... D8/62  
D503,599 S \* 4/2005 Wu ..... D8/62  
D511,954 S \* 11/2005 Heun ..... D8/62

\* cited by examiner

*Primary Examiner*—Cathron C. Brooks

*Assistant Examiner*—Austin Murphy

(74) *Attorney, Agent, or Firm*—Alix, Yale & Ristas, LLP

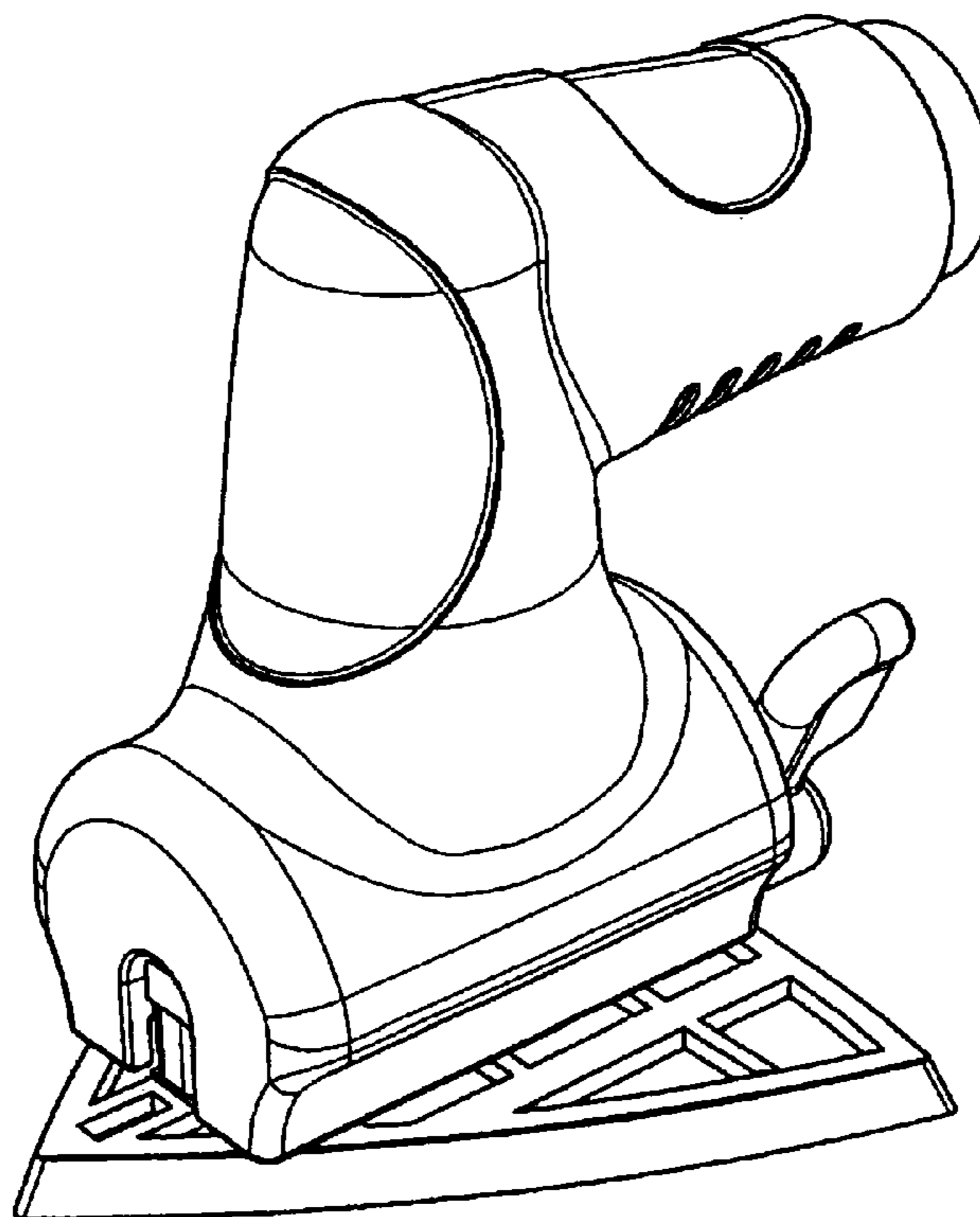
(57) **CLAIM**

The ornamental design for an electric sander, as shown and described.

**DESCRIPTION**

FIG. 1 is a front, left side and top perspective view of an electric sander showing my new design;  
FIG. 2 is a rear, left side and top perspective view thereof;  
FIG. 3 is a left side elevational view thereof;  
FIG. 4 is a right side elevational thereof;  
FIG. 5 is a front elevational view thereof;  
FIG. 6 is a rear elevational view thereof;  
FIG. 7 is a top plan view thereof; and,  
FIG. 8 is a bottom plan view thereof.

**1 Claim, 8 Drawing Sheets**



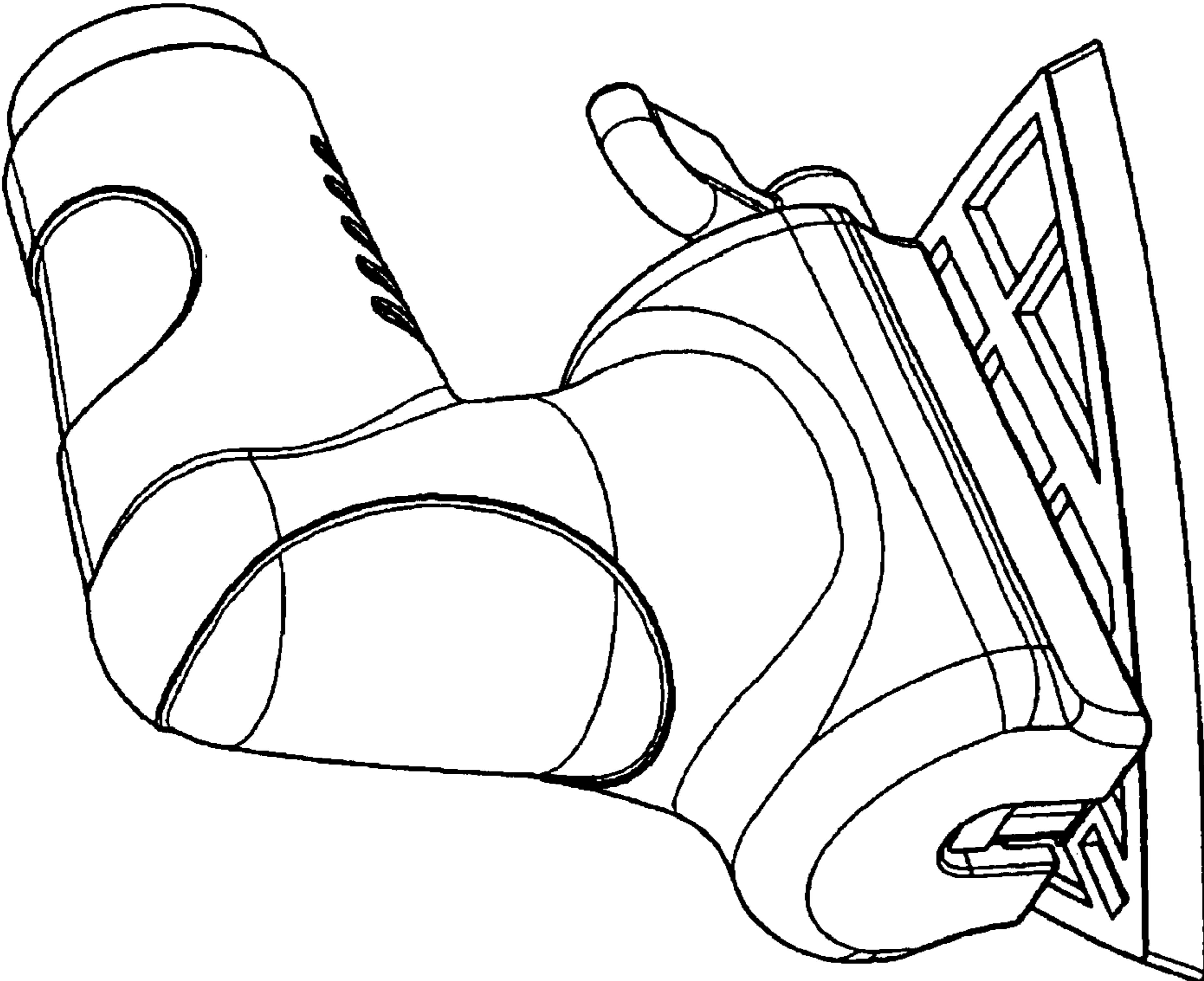


Figure 1

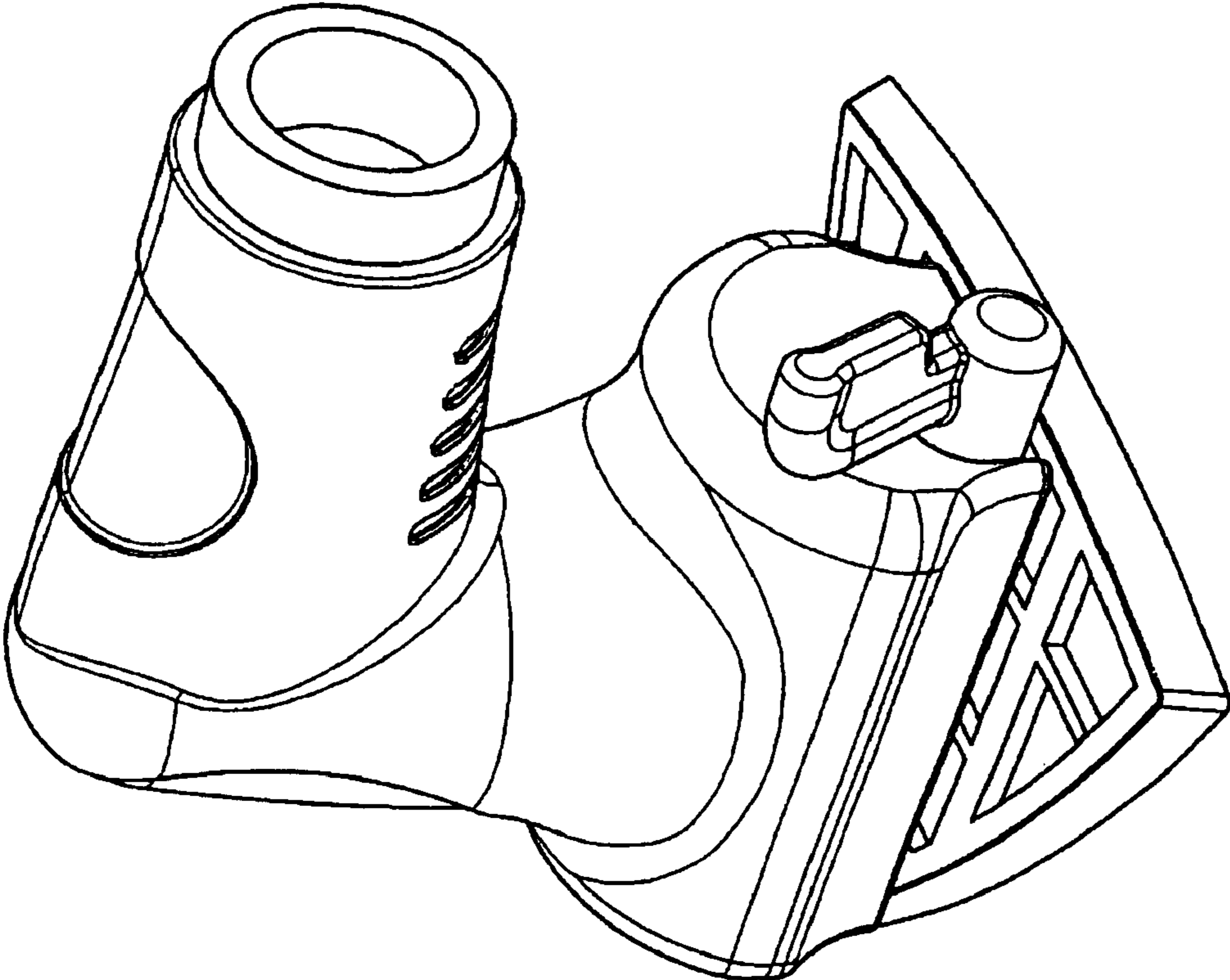


Figure 2

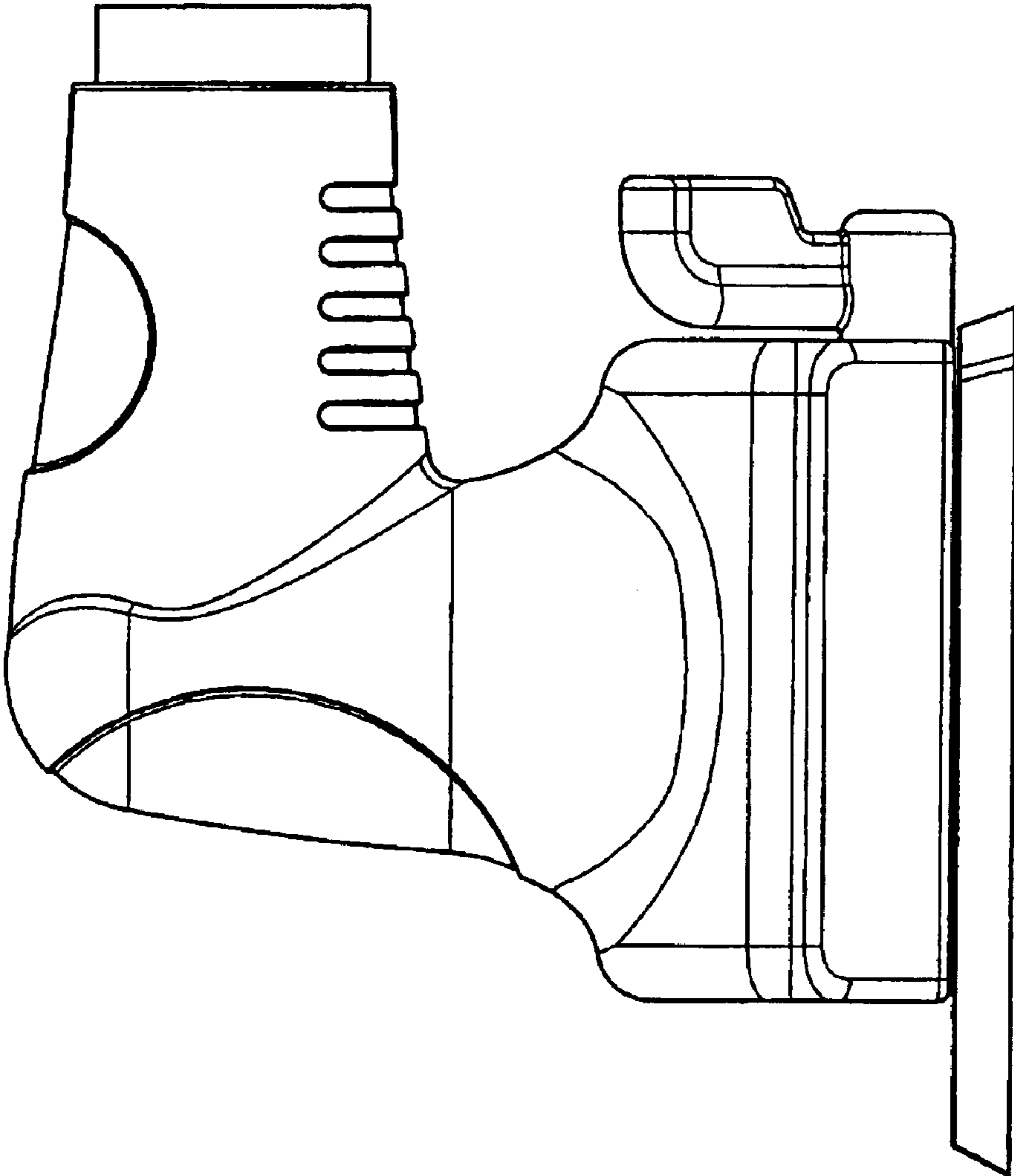


Figure 3

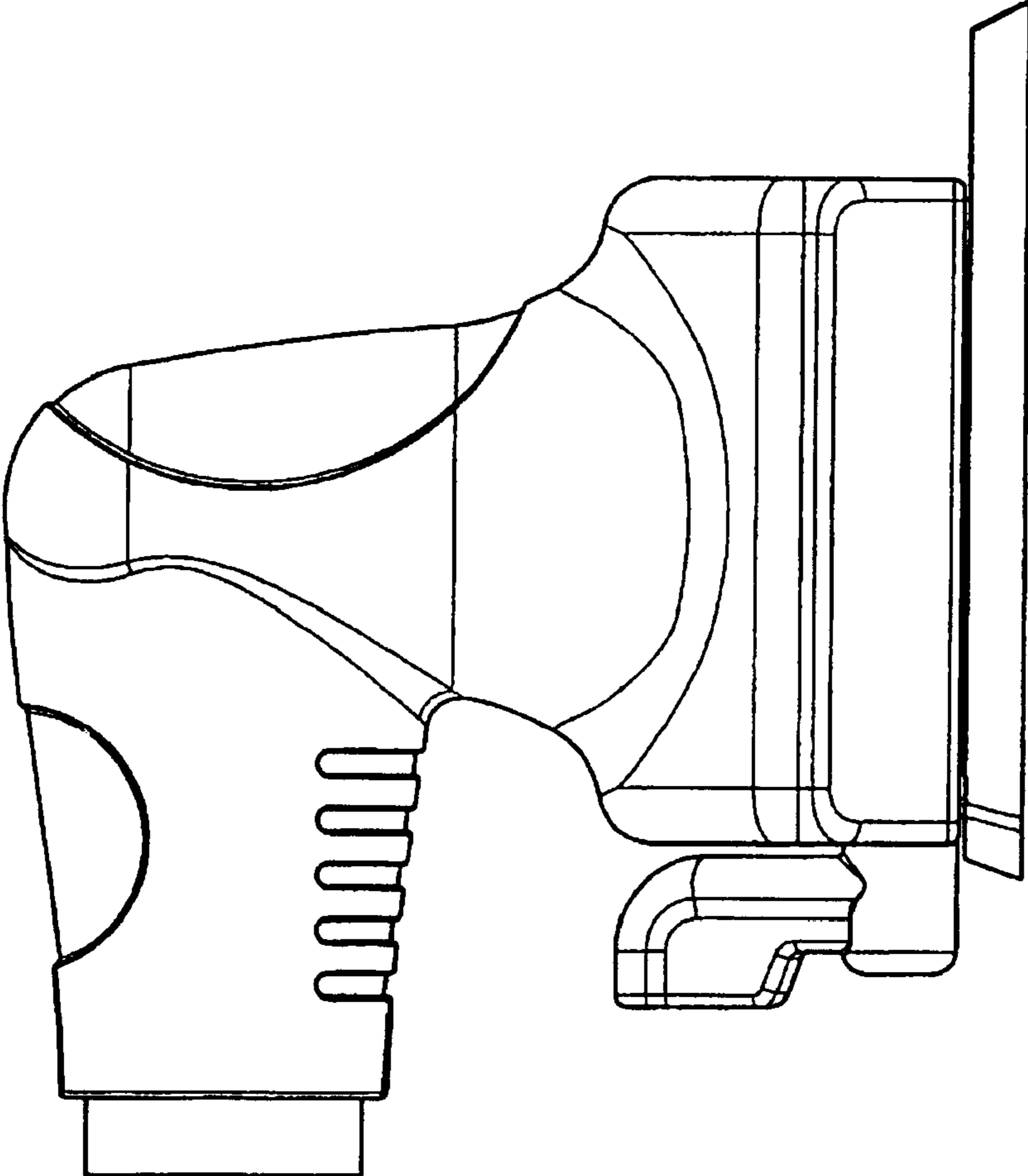


Figure 4

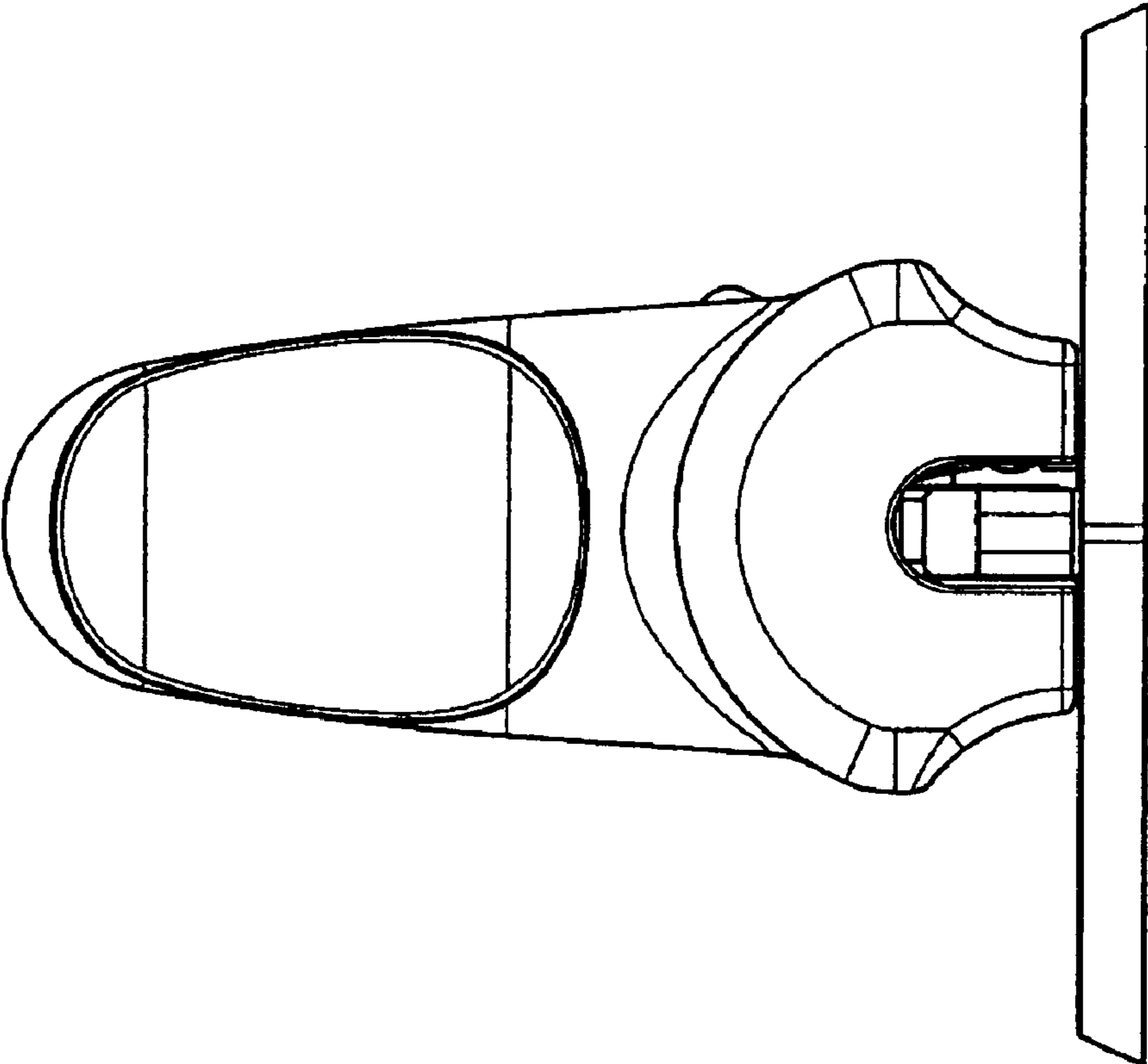


Figure 5

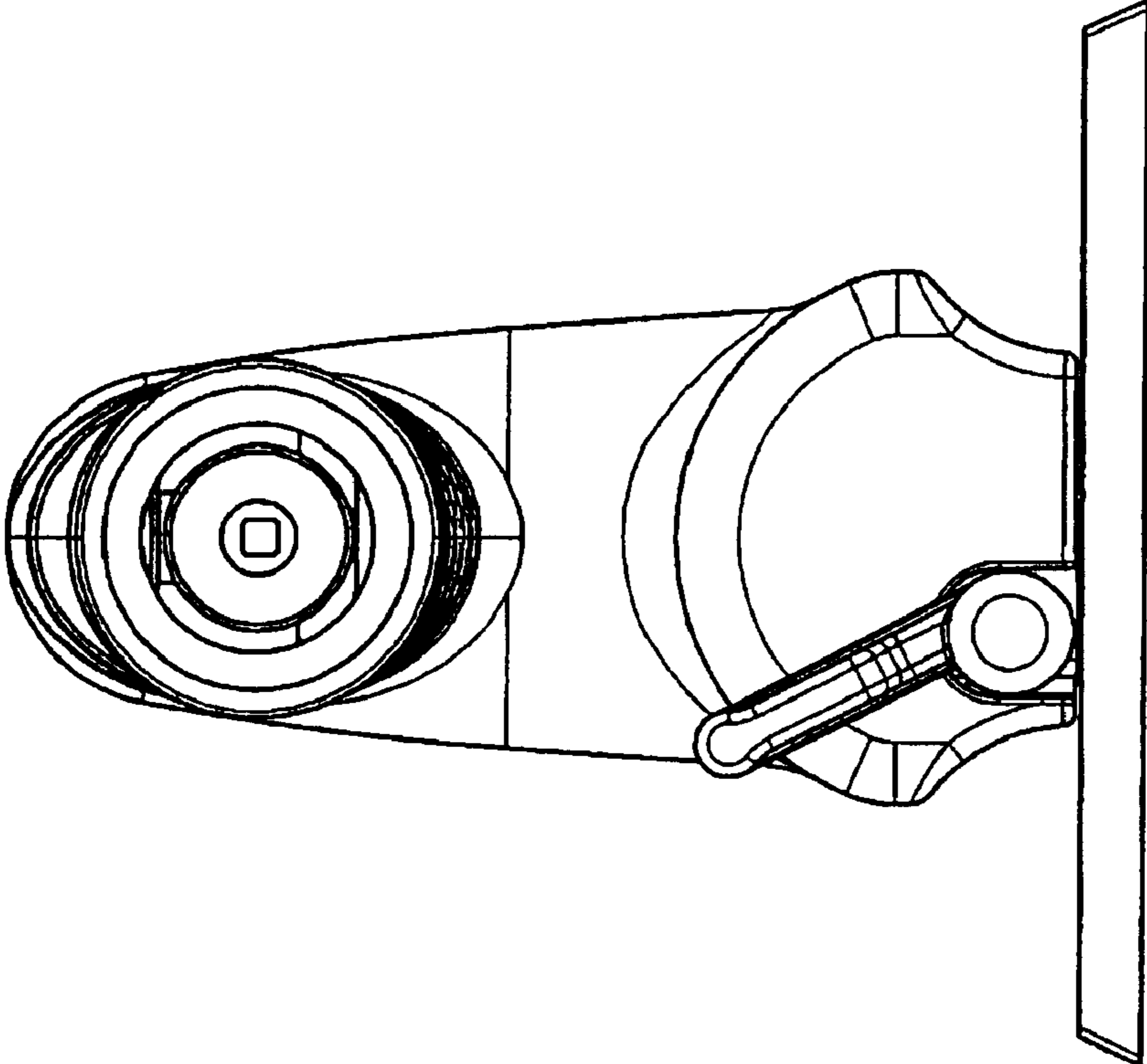


Figure 6

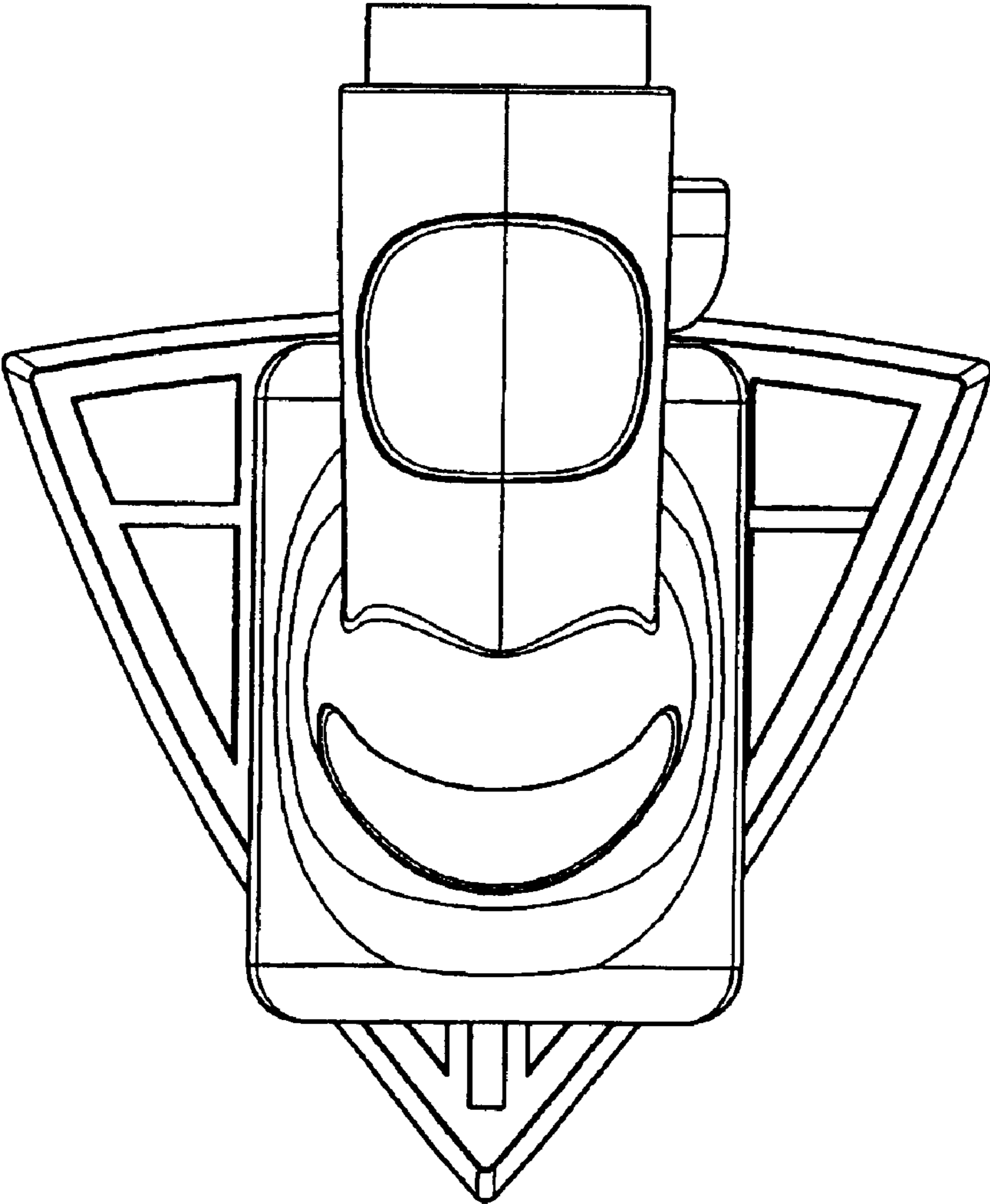


Figure 7



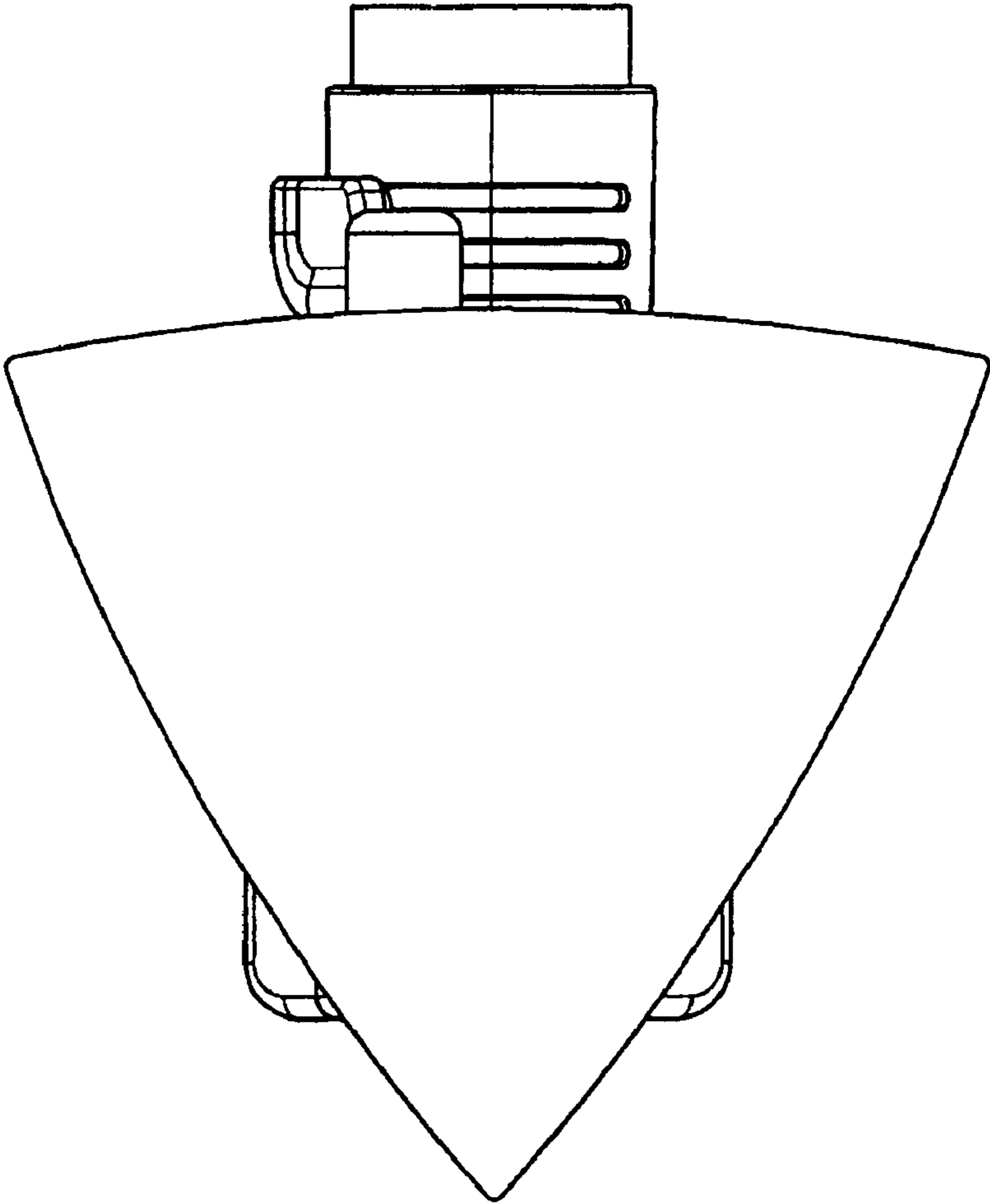


Figure 8