



US00D539106S

(12) **United States Design Patent**
Sandy

(10) **Patent No.:** **US D539,106 S**

(45) **Date of Patent:** **** Mar. 27, 2007**

(54) **STAPLER DESK SET**

(75) **Inventor:** **Bonni Shevin Sandy**, Morton Grove, IL (US)

(73) **Assignee:** **Dard Products, Inc.**, Evanston, IL (US)

(**) **Term:** **14 Years**

(21) **Appl. No.:** **29/246,898**

(22) **Filed:** **May 19, 2006**

(51) **LOC (8) Cl.** **08-01**

(52) **U.S. Cl.** **D8/50**

(58) **Field of Classification Search** D8/49,
D8/50, 105, 61; D19/65, 72, 95; 227/127,
227/128, 131, 132, 134, 156, 120
See application file for complete search history.

(56) **References Cited**

U.S. PATENT DOCUMENTS

D414,999 S	*	10/1999	Wilson et al.	D8/50
D422,862 S	*	4/2000	Wilson et al.	D8/50
D472,437 S	*	4/2003	Scola et al.	D8/50
D478,799 S	*	8/2003	Chi Kuo	D8/50
6,601,747 B1	*	8/2003	Chi Kuo	227/76
D482,584 S	*	11/2003	Racamier	D8/50
D482,729 S	*	11/2003	Chi Kuo	D19/72

D505,606 S	*	5/2005	Sinisi	D8/50
D514,905 S	*	2/2006	Bhavnani	D8/50
D515,374 S	*	2/2006	Sinisi	D8/50
D516,397 S	*	3/2006	Kent et al.	D8/50
D529,095 S	*	9/2006	Tou	D19/72
2003/0178464 A1	*	9/2003	Sinisi et al.	227/134

* cited by examiner

Primary Examiner—Cathron C. Brooks

Assistant Examiner—Austin Murphy

(74) *Attorney, Agent, or Firm*—Perkins Coie LLP

(57) **CLAIM**

The ornamental design for a stapler desk set, as shown in the drawings and described.

DESCRIPTION

FIG. 1 is a front, top and right side perspective view.

FIG. 2 is a front view.

FIG. 3 is a back view.

FIG. 4 is a right side view.

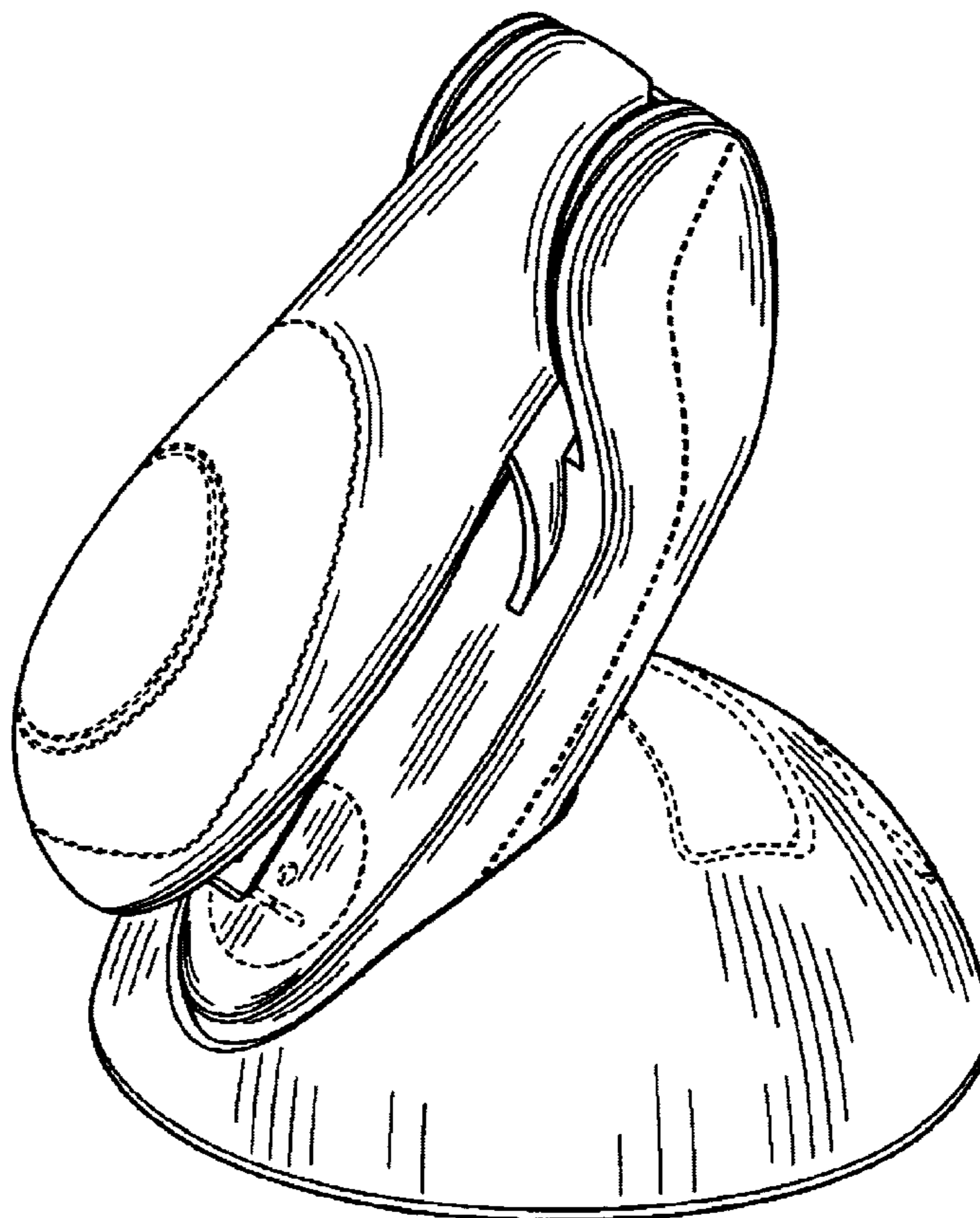
FIG. 5 is a left side view;

FIG. 6 is a top view; and,

FIG. 7 is a bottom view.

The broken lines shown in the drawings form no part of the claimed design.

1 Claim, 4 Drawing Sheets



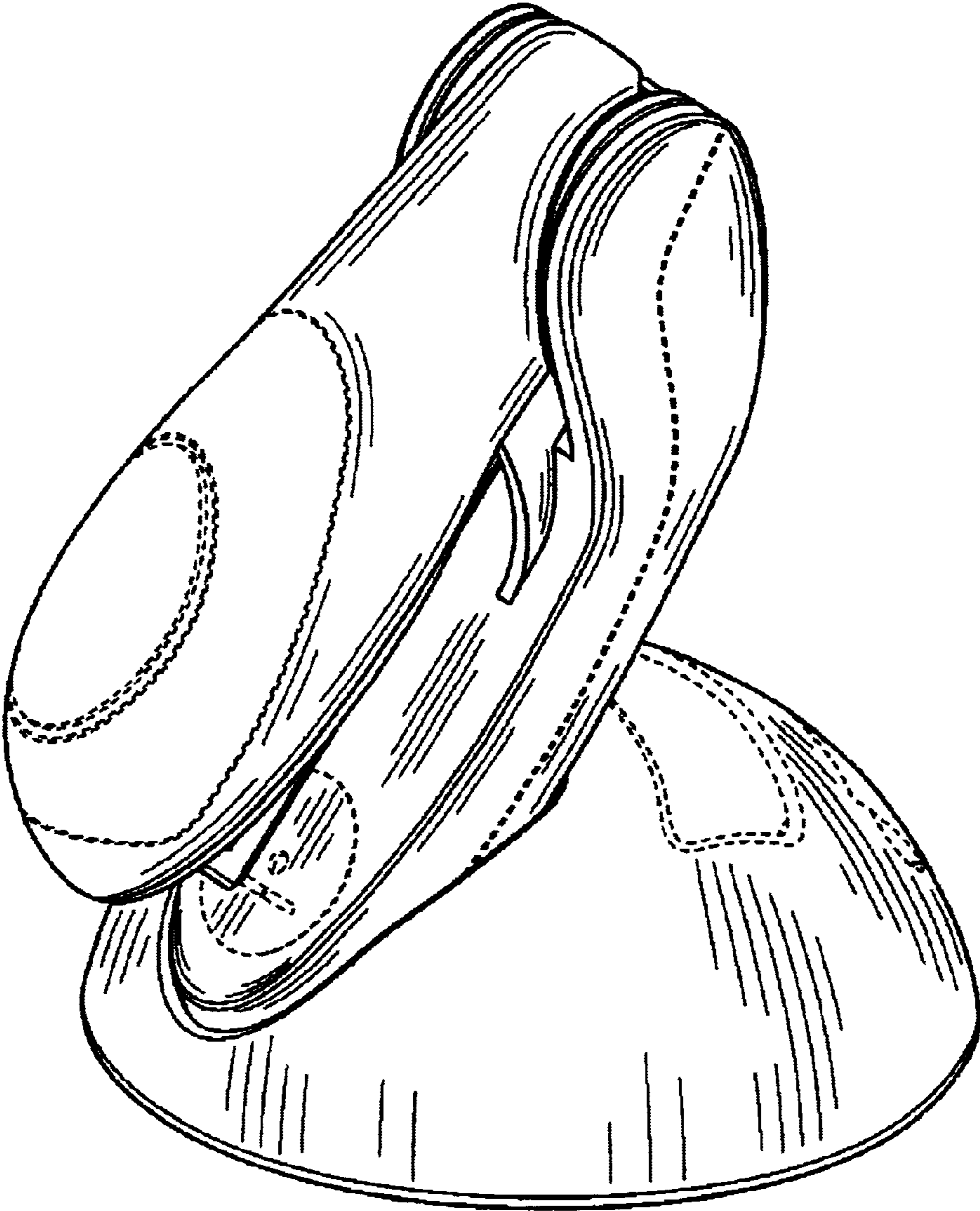


FIG. 1

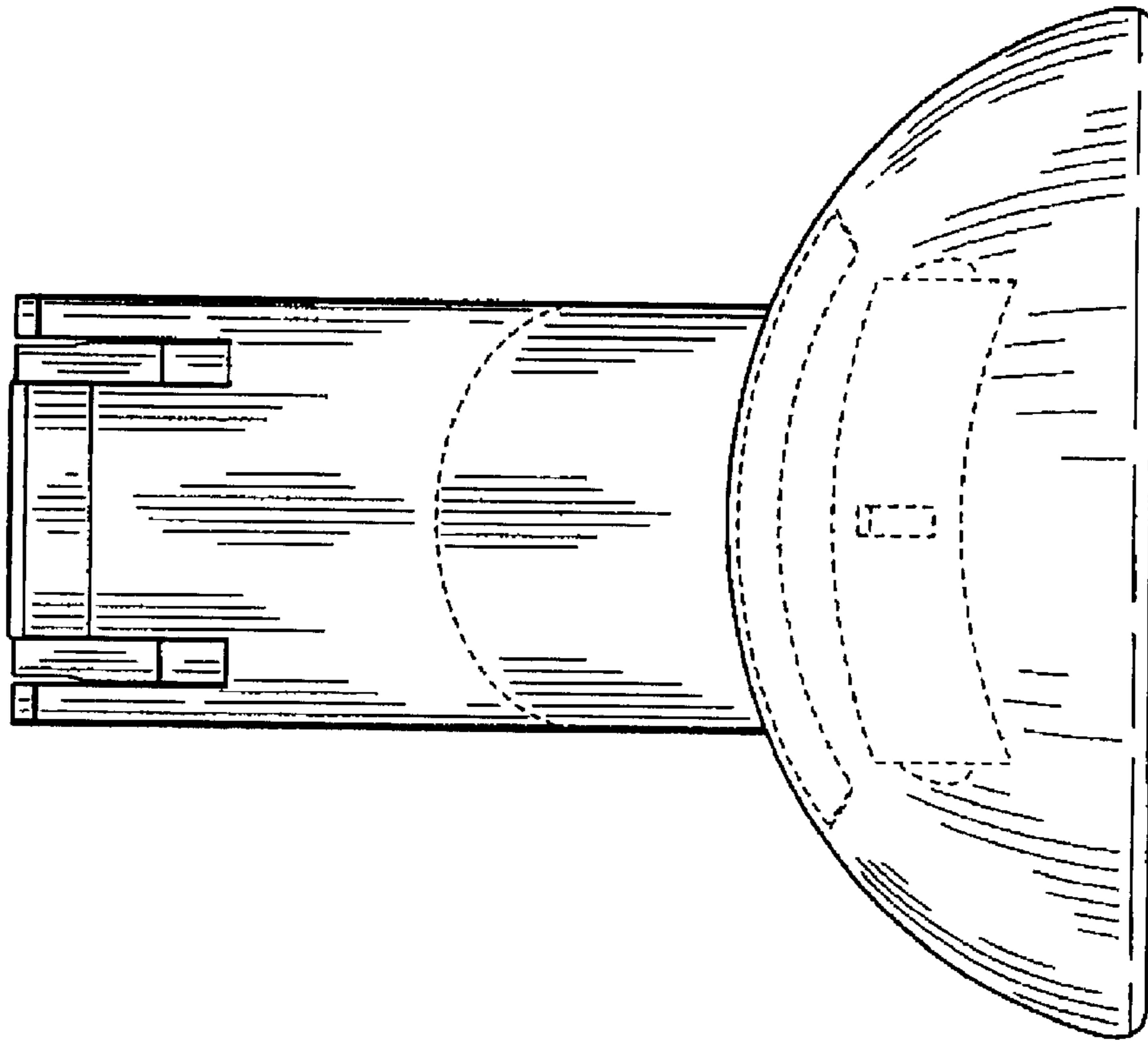


FIG. 3

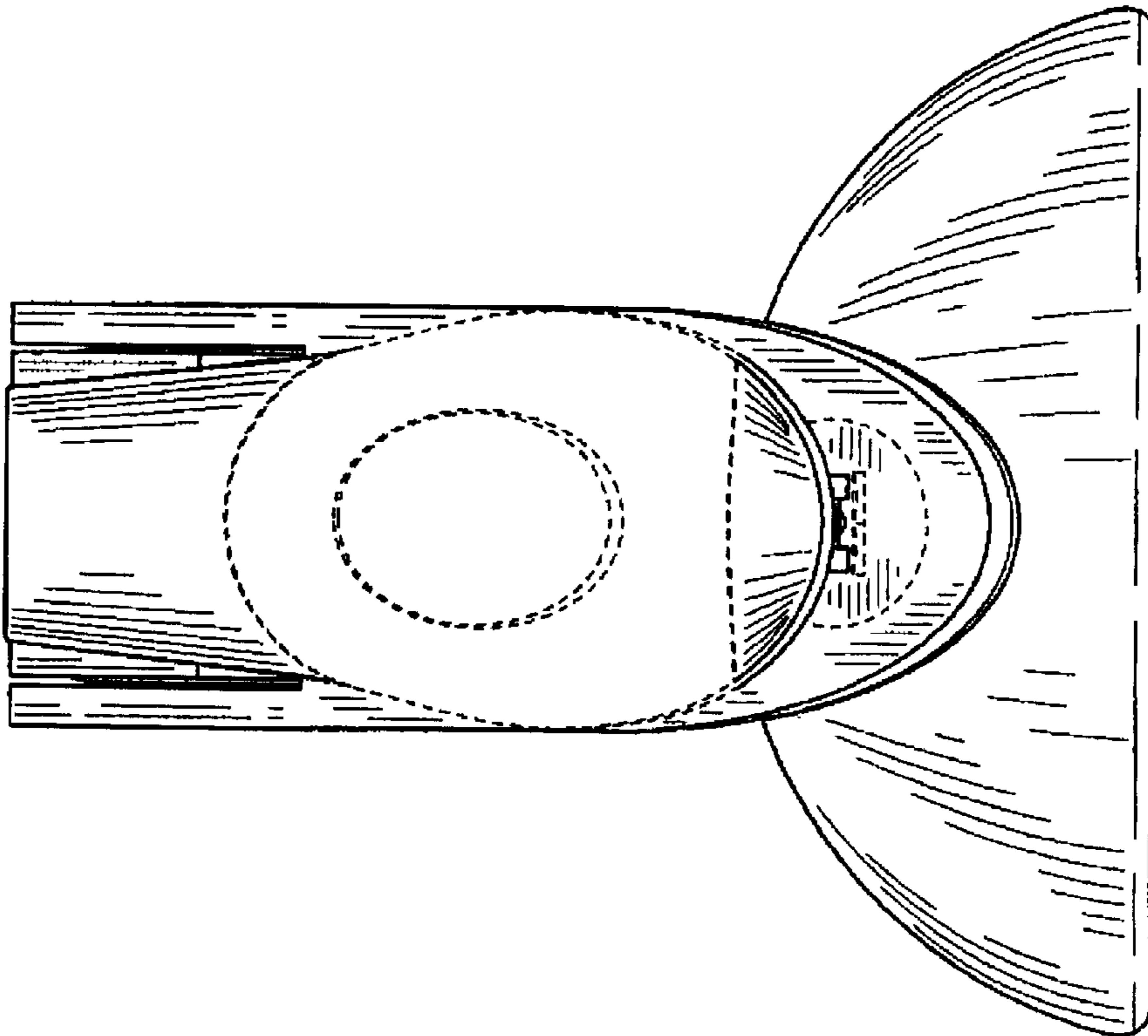


FIG. 2

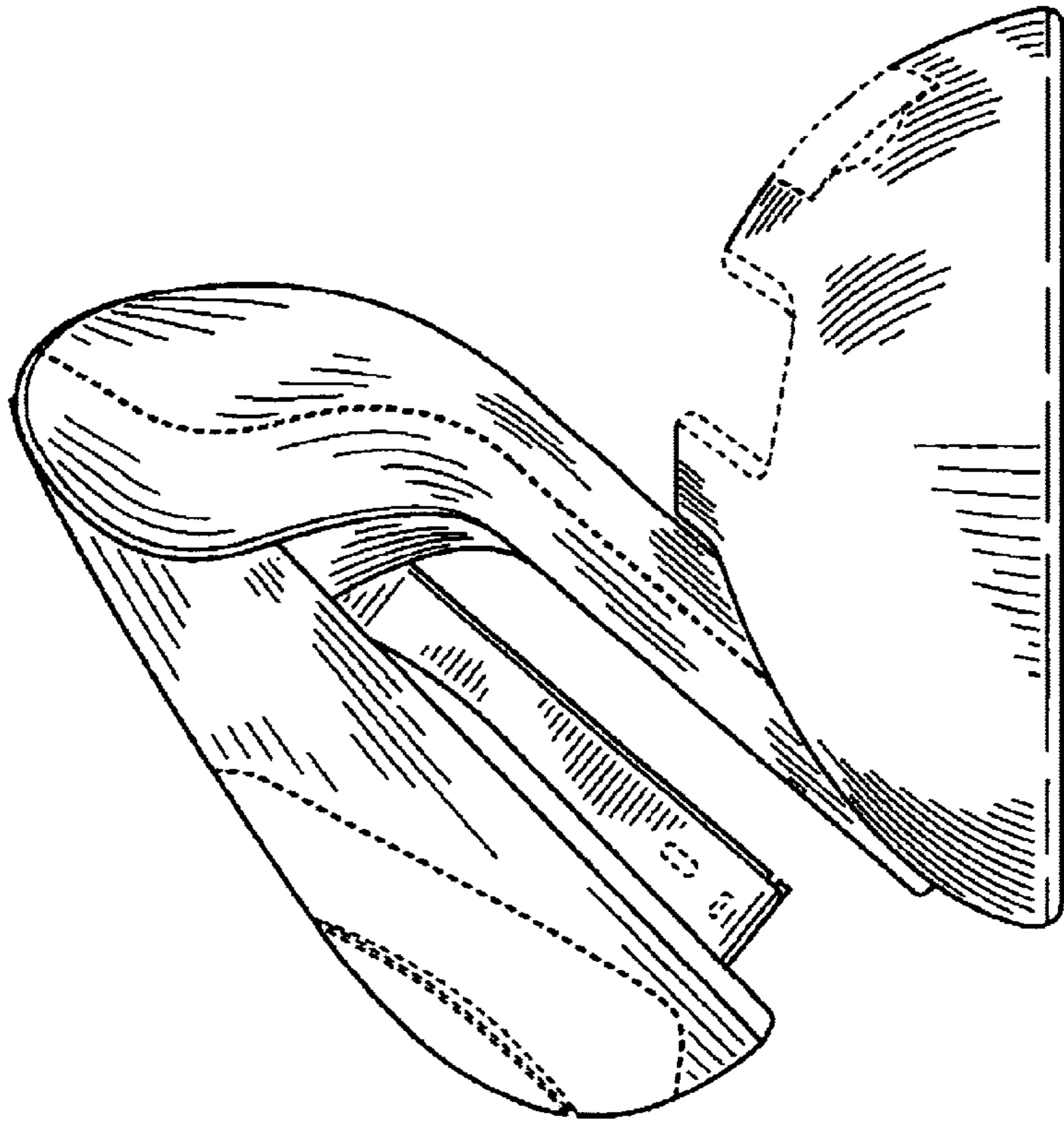


FIG. 4

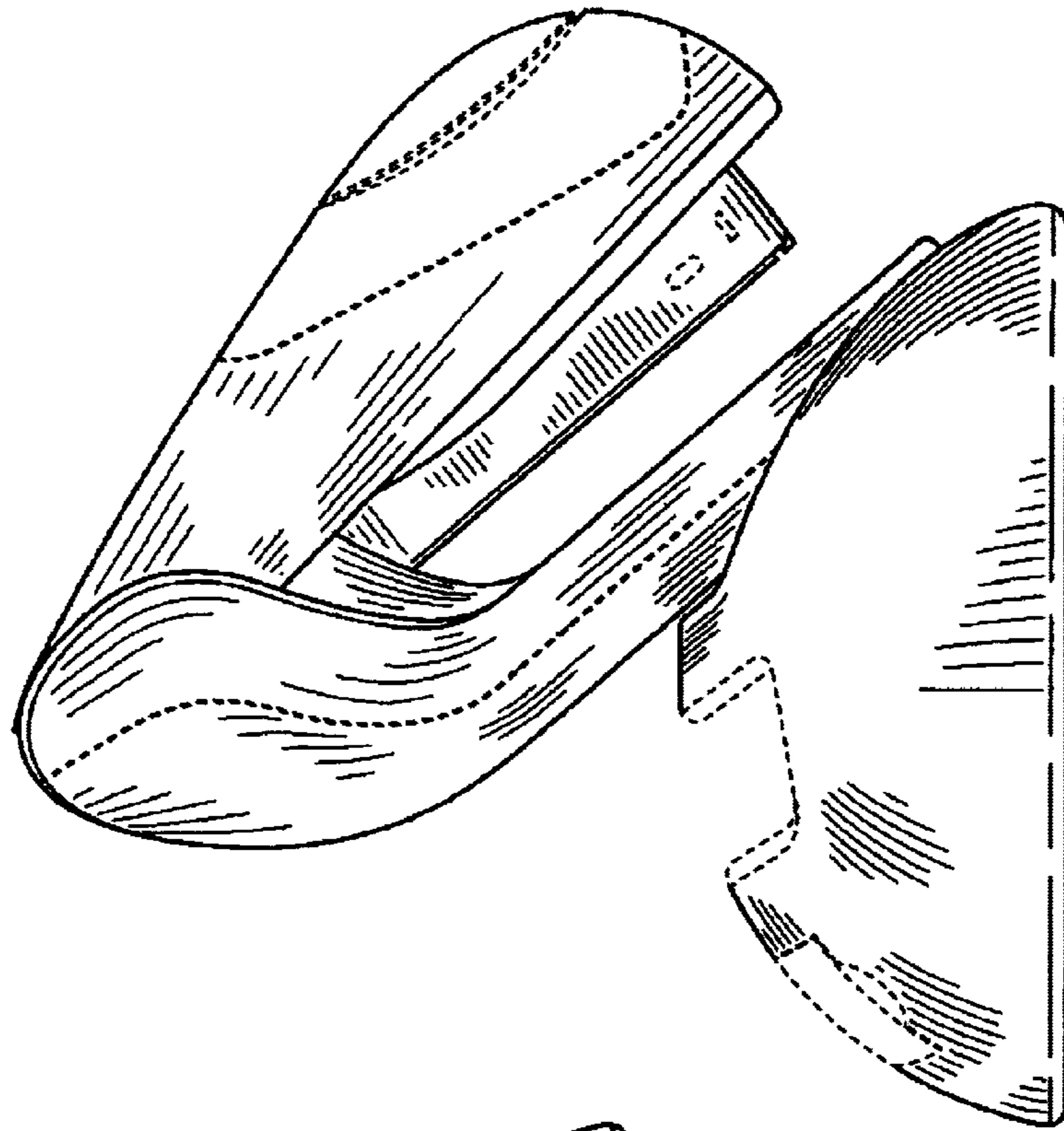


FIG. 5

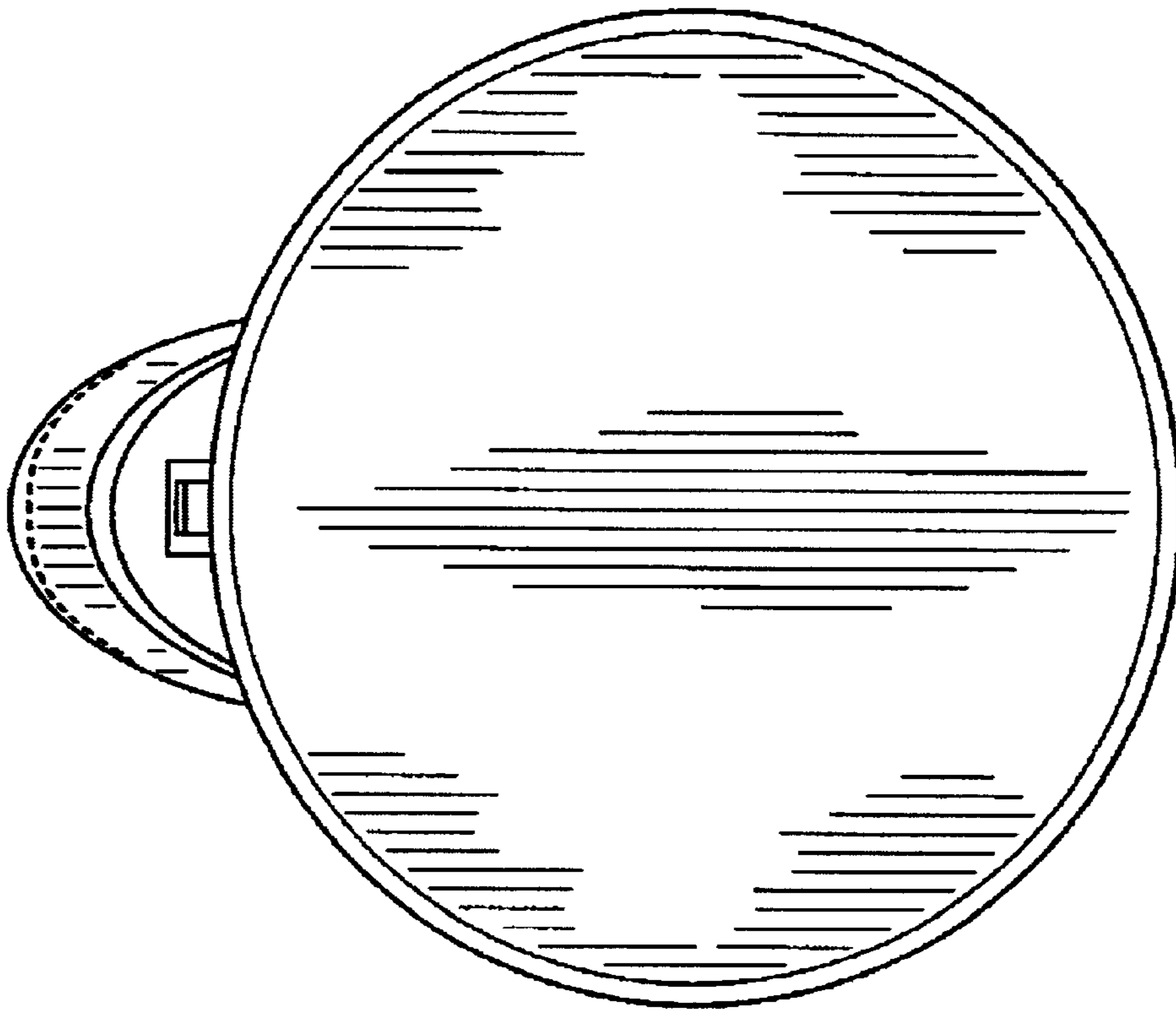


FIG. 7

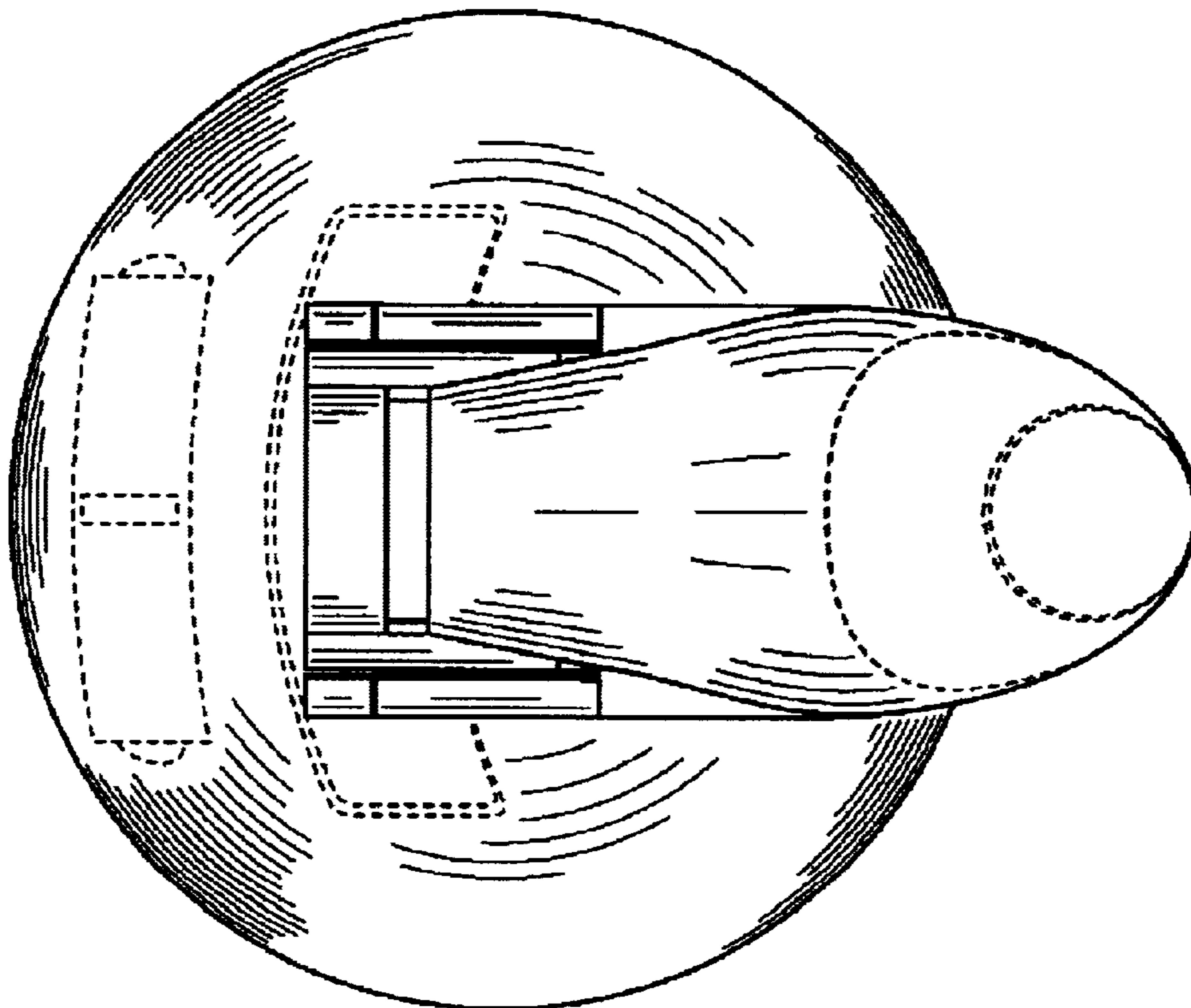


FIG. 6