



US00D539105S

(12) **United States Design Patent**
Bennett

(10) **Patent No.:** **US D539,105 S**

(45) **Date of Patent:** **** Mar. 27, 2007**

(54) **POP-TOP CAN OPENER**

(76) Inventor: **Kenneth Gene Bennett**, 502 Skamania
Landing Rd., Skamania, WA (US)
98648

(**) Term: **14 Years**

(21) Appl. No.: **29/251,454**

(22) Filed: **Jan. 9, 2006**

(51) **LOC (8) Cl.** **07-99**

(52) **U.S. Cl.** **D8/18; D8/33**

(58) **Field of Classification Search** D8/16-19,
D8/21, 27, 33-43, 88, 105; D7/665, 666,
D7/680; 7/113, 151-156; 81/3.07, 3.09, 3.27,
81/3.4, 3.55

See application file for complete search history.

(56) **References Cited**

U.S. PATENT DOCUMENTS

4,253,352 A 3/1981 O'Neal
4,257,287 A 3/1981 Dawson

(Continued)

Primary Examiner—Robert M. Spear

Assistant Examiner—Garth Rademaker

(74) *Attorney, Agent, or Firm*—W. Scott Carson

(57) **CLAIM**

The ornamental design for a pop-top can opener, as shown.

DESCRIPTION

FIG. 1 is a perspective view of a pop-top can opener showing my new design.

FIG. 2 is a front view thereof, the rear view being a mirror image thereof;

FIG. 3 is a left side elevational view thereof, the right side view being a mirror image thereof;

FIG. 4 is a top plan view thereof;

FIG. 5 is a bottom plan view thereof;

FIG. 6 is cross-sectional view taken along line 6—6 of FIG. 2.

FIG. 7 is a perspective view of a pop-top can opener showing a second embodiment of my new design.

FIG. 8 is a front view thereof, the rear view being a mirror image thereof;

FIG. 9 is a left side elevational view thereof, the right side view being a mirror image thereof;

FIG. 10 is a top plan view thereof;

FIG. 11 is a bottom plan view thereof;

FIG. 12 is cross-sectional view taken along line 12—12 of FIG. 8.

FIG. 13 is a perspective view of a pop-top can opener showing a third embodiment of my new design.

FIG. 14 is a front view thereof;

FIG. 15 is a left side elevational view thereof, the right side view being a mirror image thereof;

FIG. 16 is a top plan view thereof;

FIG. 17 is a bottom plan view thereof;

FIG. 18 is cross-sectional view taken along line 18—18 of FIG. 14;

FIG. 19 is a rear view thereof.

FIG. 20 is a perspective view of a pop-top can opener showing a fourth embodiment of my new design.

FIG. 21 is a front view thereof;

FIG. 22 is a left side elevational view thereof, the right side view being a mirror image thereof;

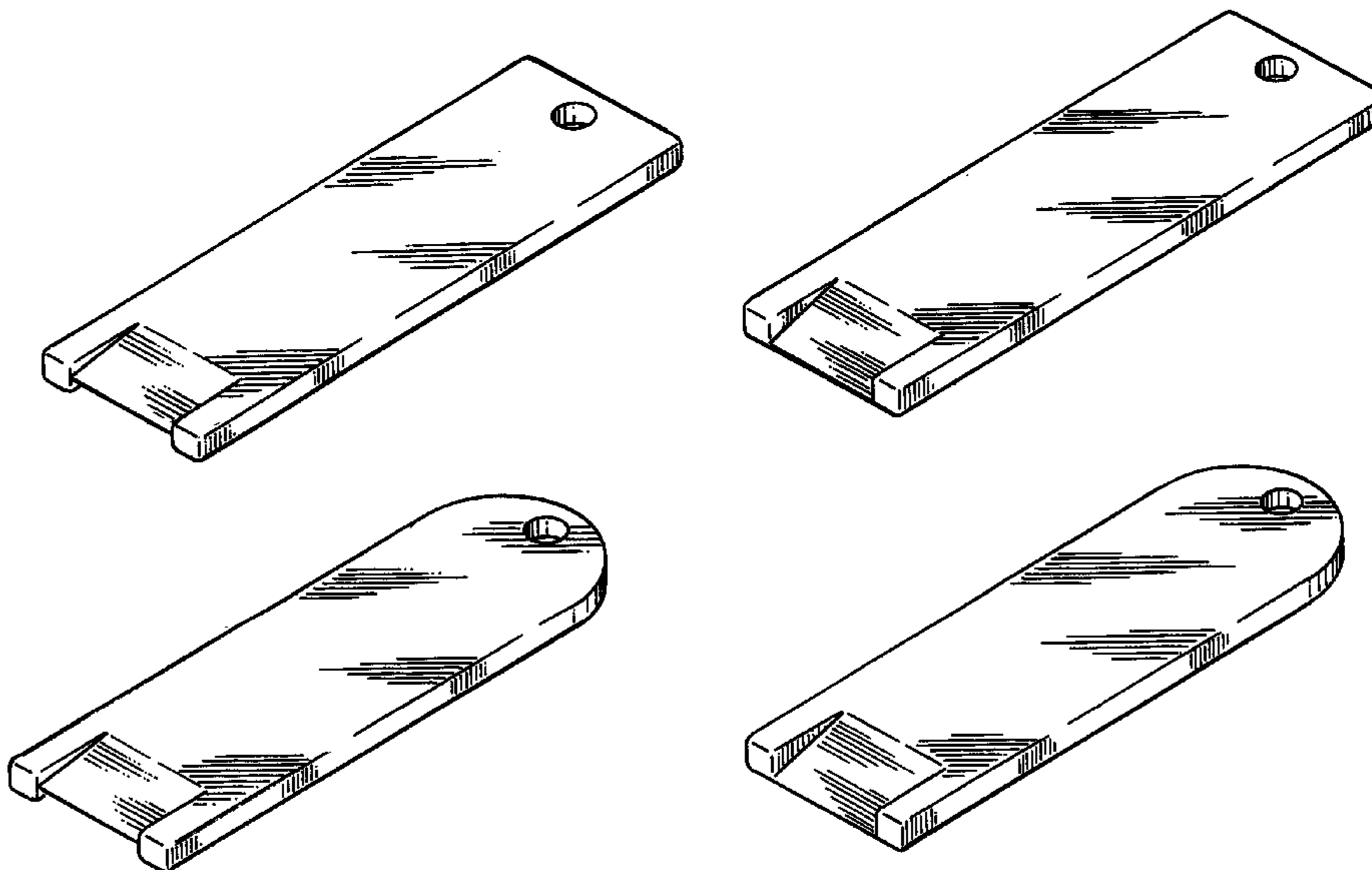
FIG. 23 is a top plan view thereof;

FIG. 24 is a bottom plan view thereof;

FIG. 25 is cross-sectional view taken along line 25—25 of FIG. 21; and,

FIG. 26 is a rear view thereof.

1 Claim, 4 Drawing Sheets



US D539,105 S

Page 2

U.S. PATENT DOCUMENTS			
4,416,171	A	11/1983	Chmela et al.
4,455,894	A	6/1984	Roberts
4,455,895	A	6/1984	Christensen
4,474,087	A	10/1984	Widman
D281,389	S	11/1985	Summers
D281,760	S	12/1985	Doring et al.
4,563,919	A	1/1986	Sellars
D284,161	S	6/1986	DeLano
4,607,407	A	8/1986	Bergmeister
D287,093	S	* 12/1986	Ryan D8/34
4,660,446	A	4/1987	Soltis
D292,479	S	* 10/1987	Beauchan D8/40
D296,754	S	7/1988	Ahumada
D297,204	S	8/1988	Duerst, Jr.
D298,407	S	* 11/1988	Vowell, Jr. D8/16
D301,827	S	6/1989	Schulze
4,864,898	A	9/1989	Tricinella
D334,693	S	* 4/1993	Burke D8/17
5,277,083	A	1/1994	Madonia
D363,863	S	* 11/1995	Tipp D8/40
D379,256	S	* 5/1997	Tipp D8/16
5,911,794	A	6/1999	Nordhoff
D445,655	S	* 7/2001	Maddox D8/17
D488,969	S	* 4/2004	Castro et al. D8/33

* cited by examiner

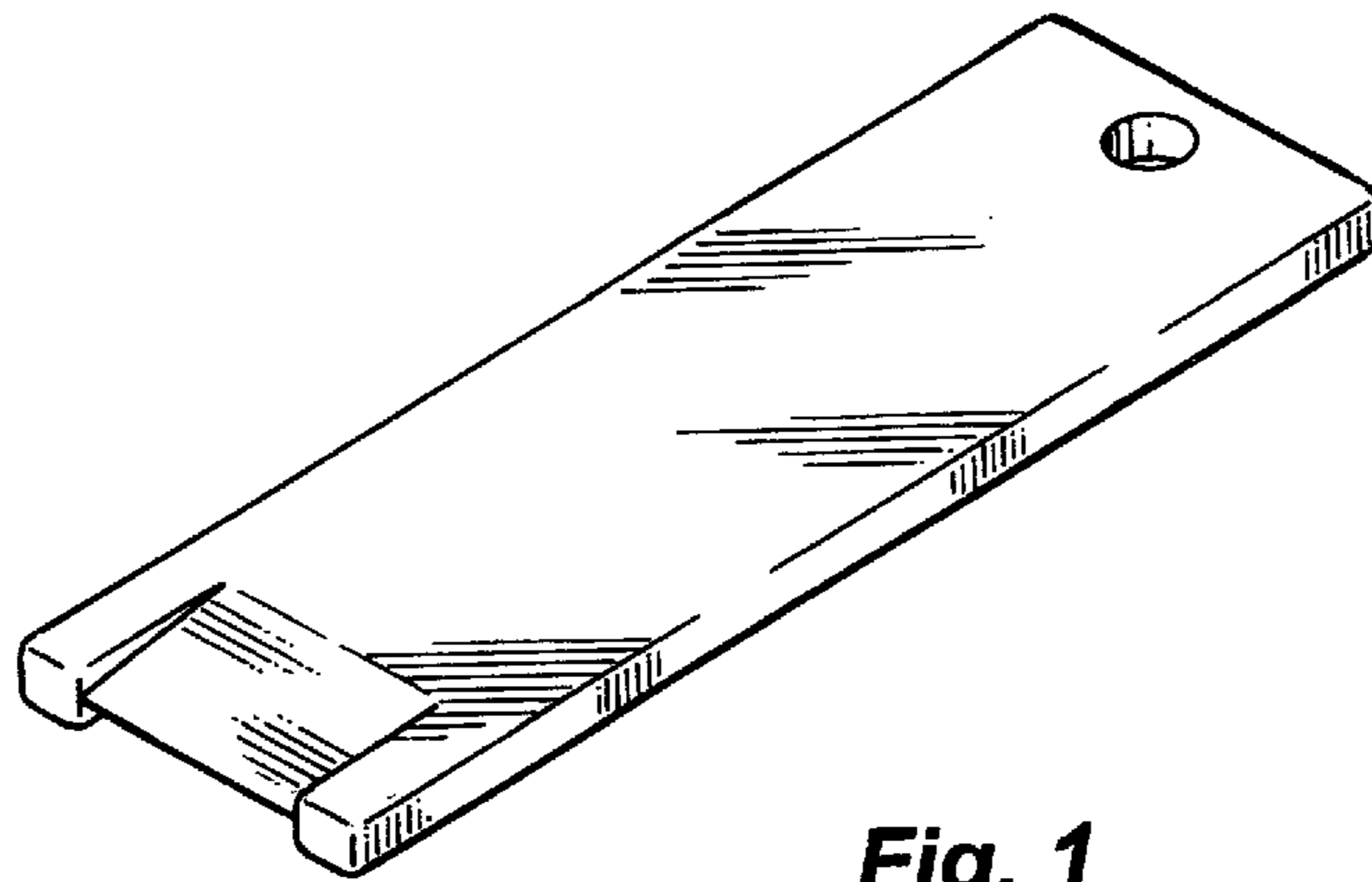


Fig. 1



Fig. 4

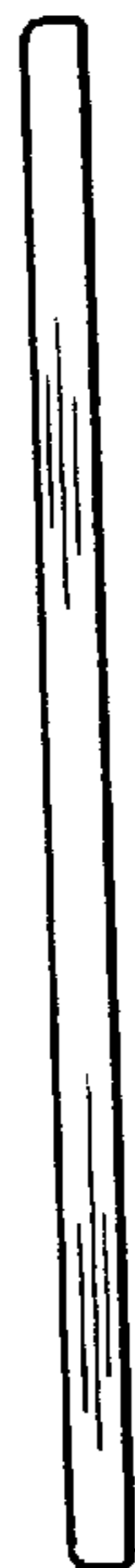


Fig. 3

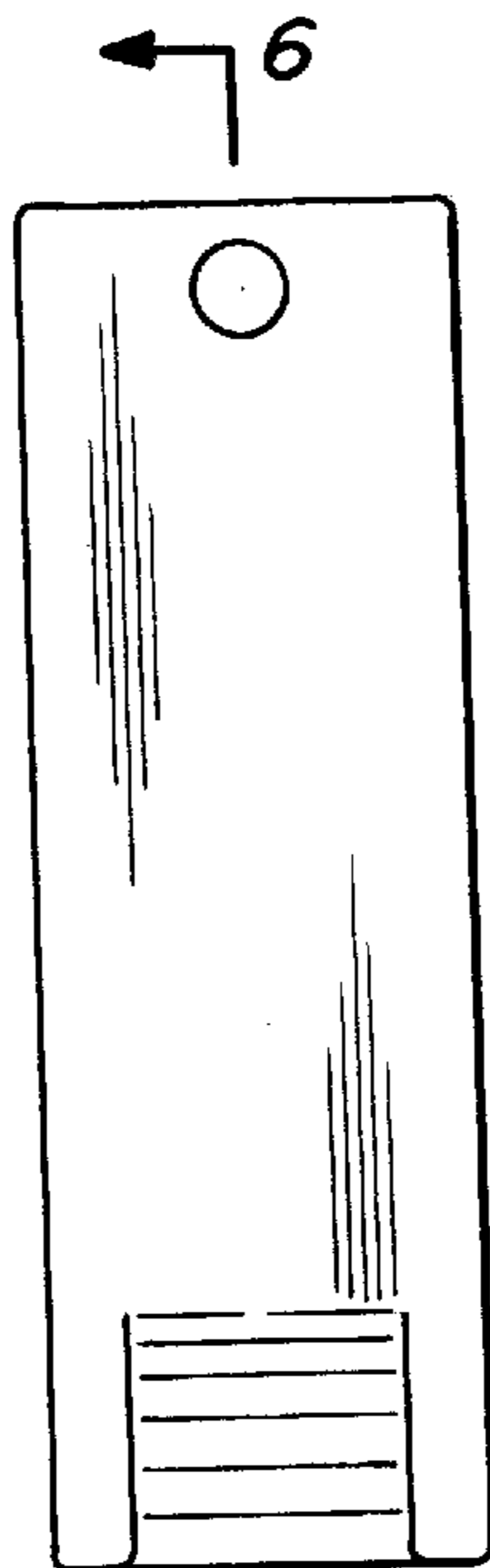


Fig. 2



Fig. 6



Fig. 5

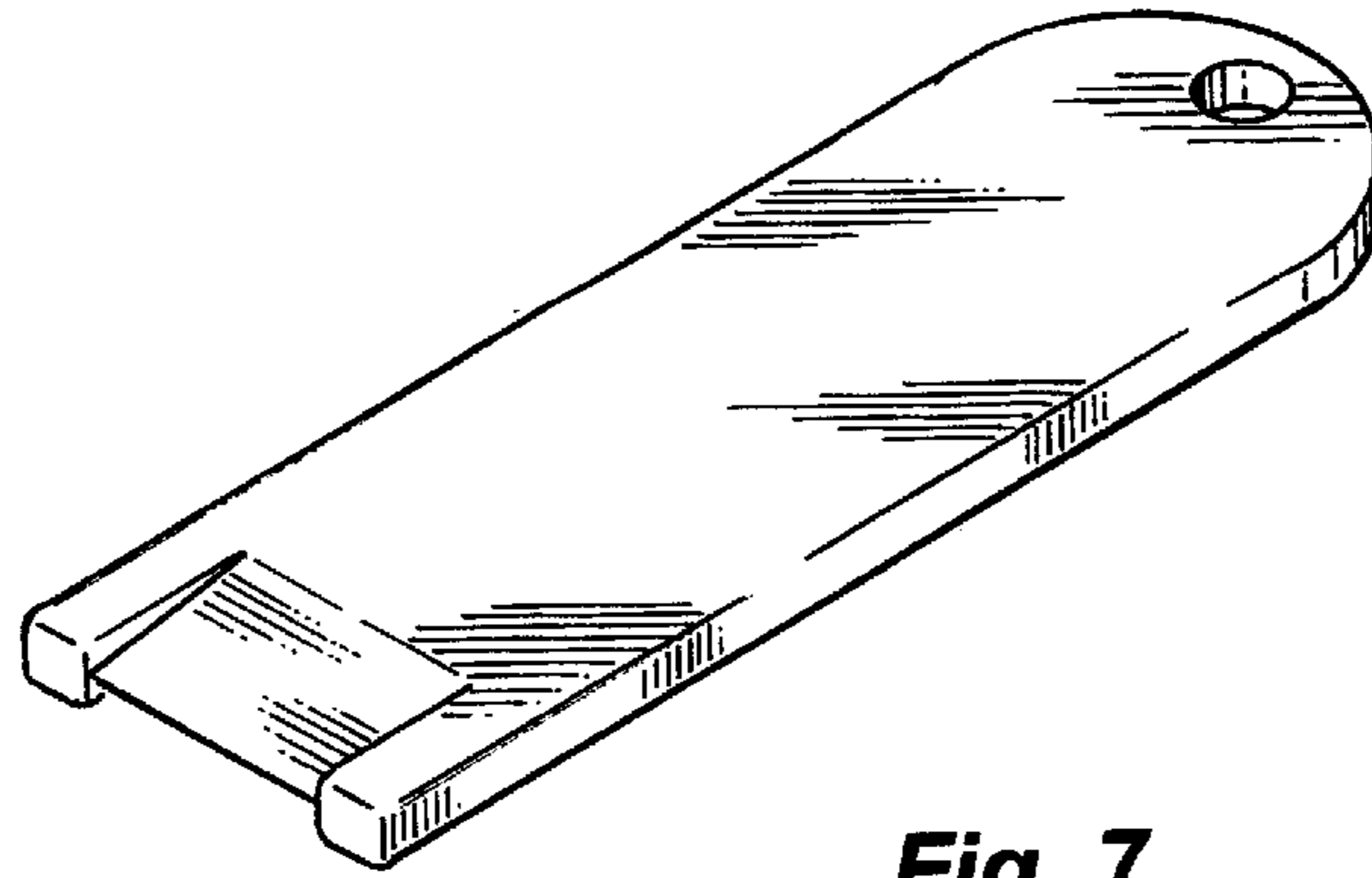


Fig. 7



Fig. 10

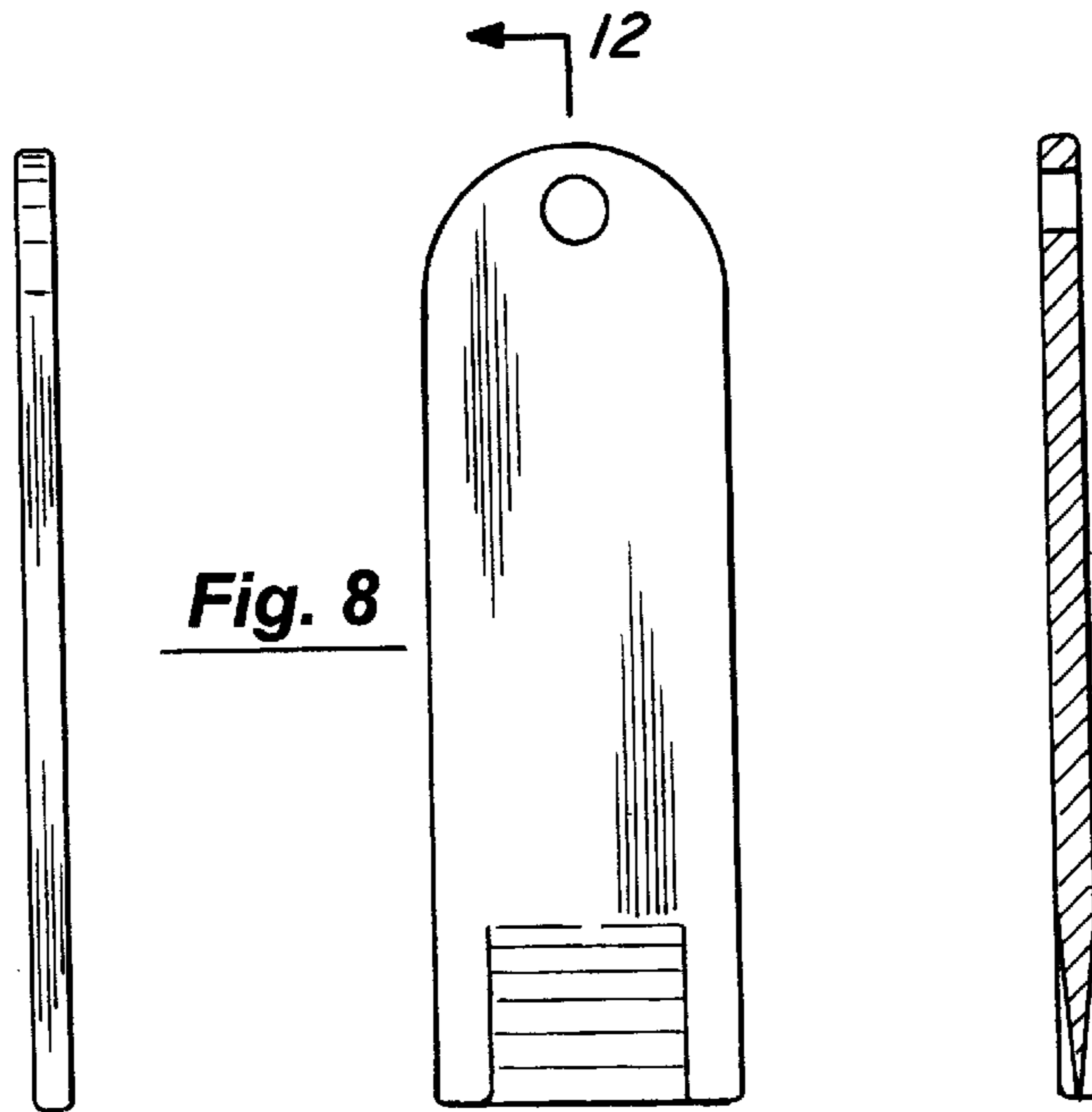


Fig. 8

Fig. 12

Fig. 9



Fig. 11

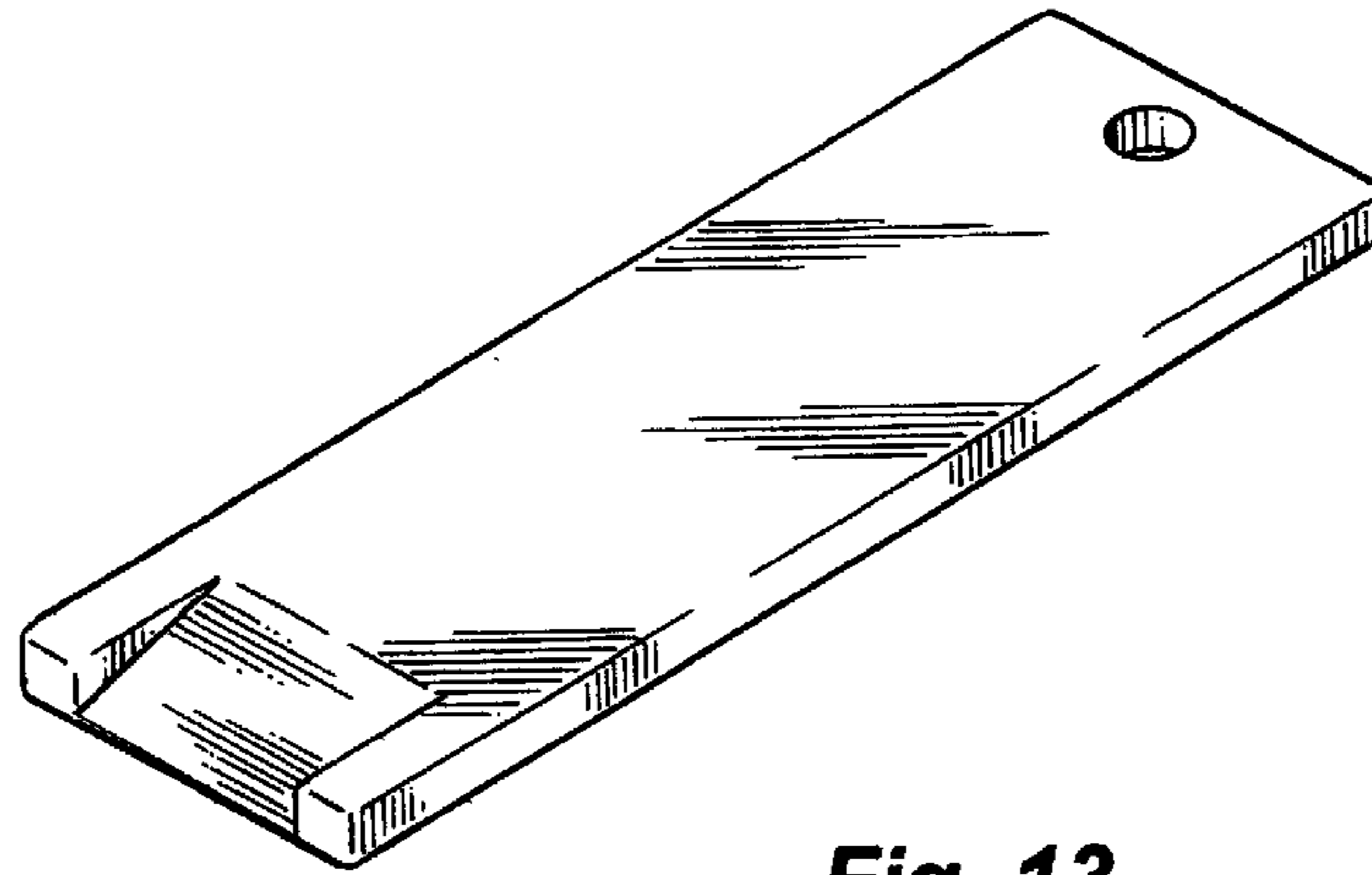


Fig. 13

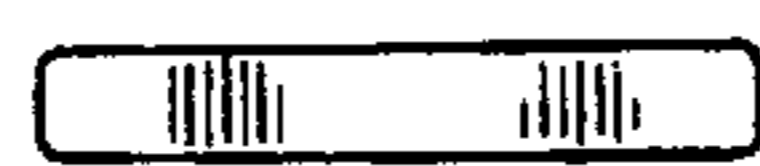


Fig. 16

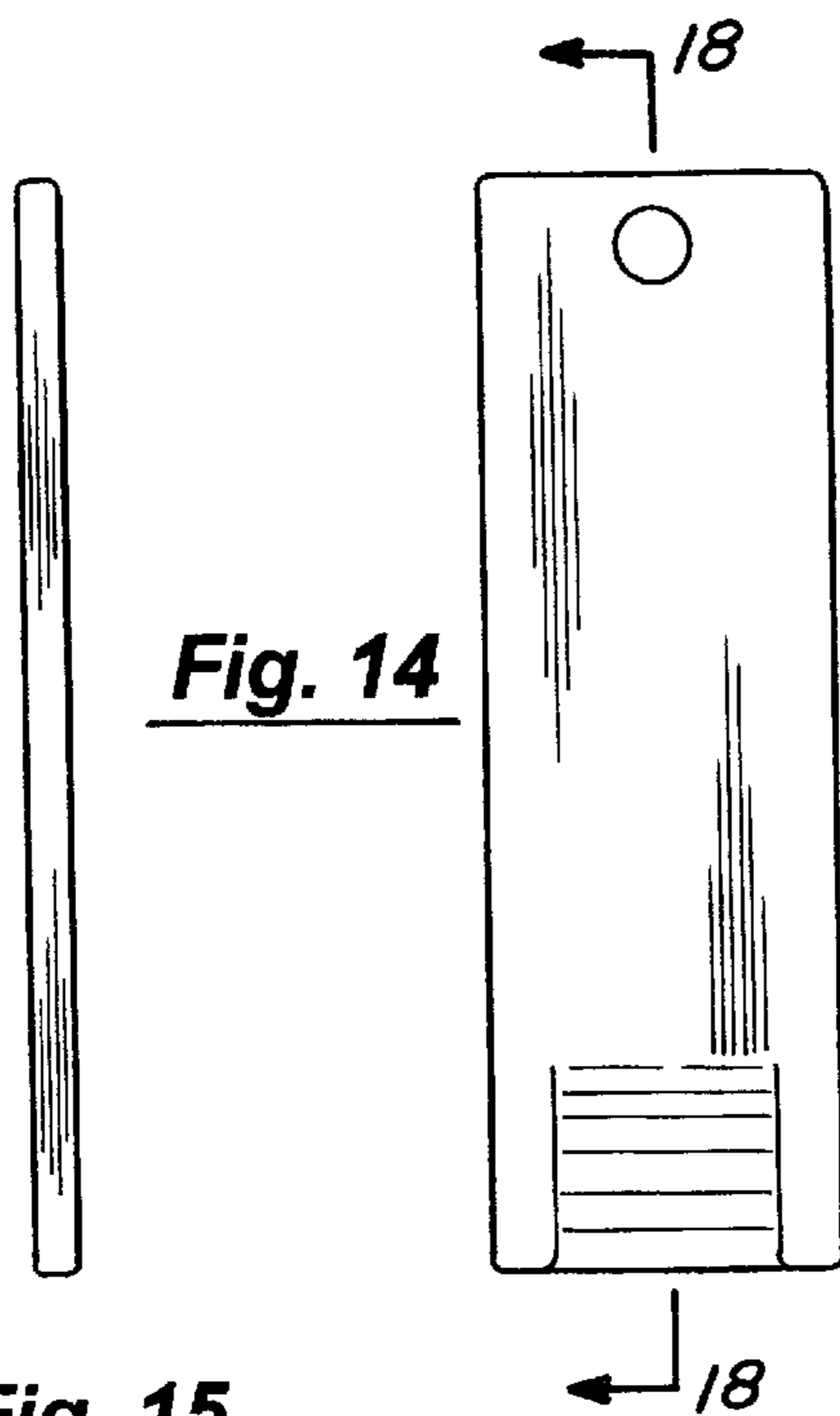


Fig. 14

Fig. 15



Fig. 18

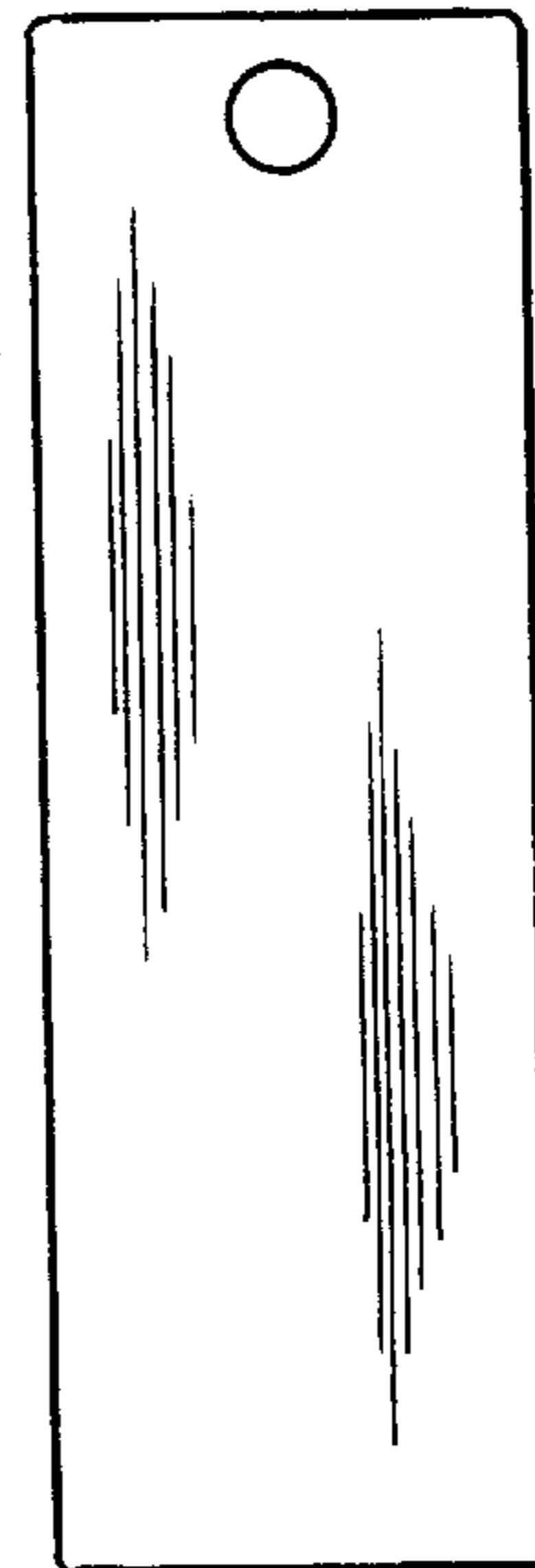


Fig. 19

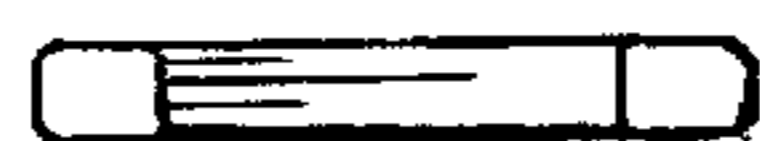


Fig. 17

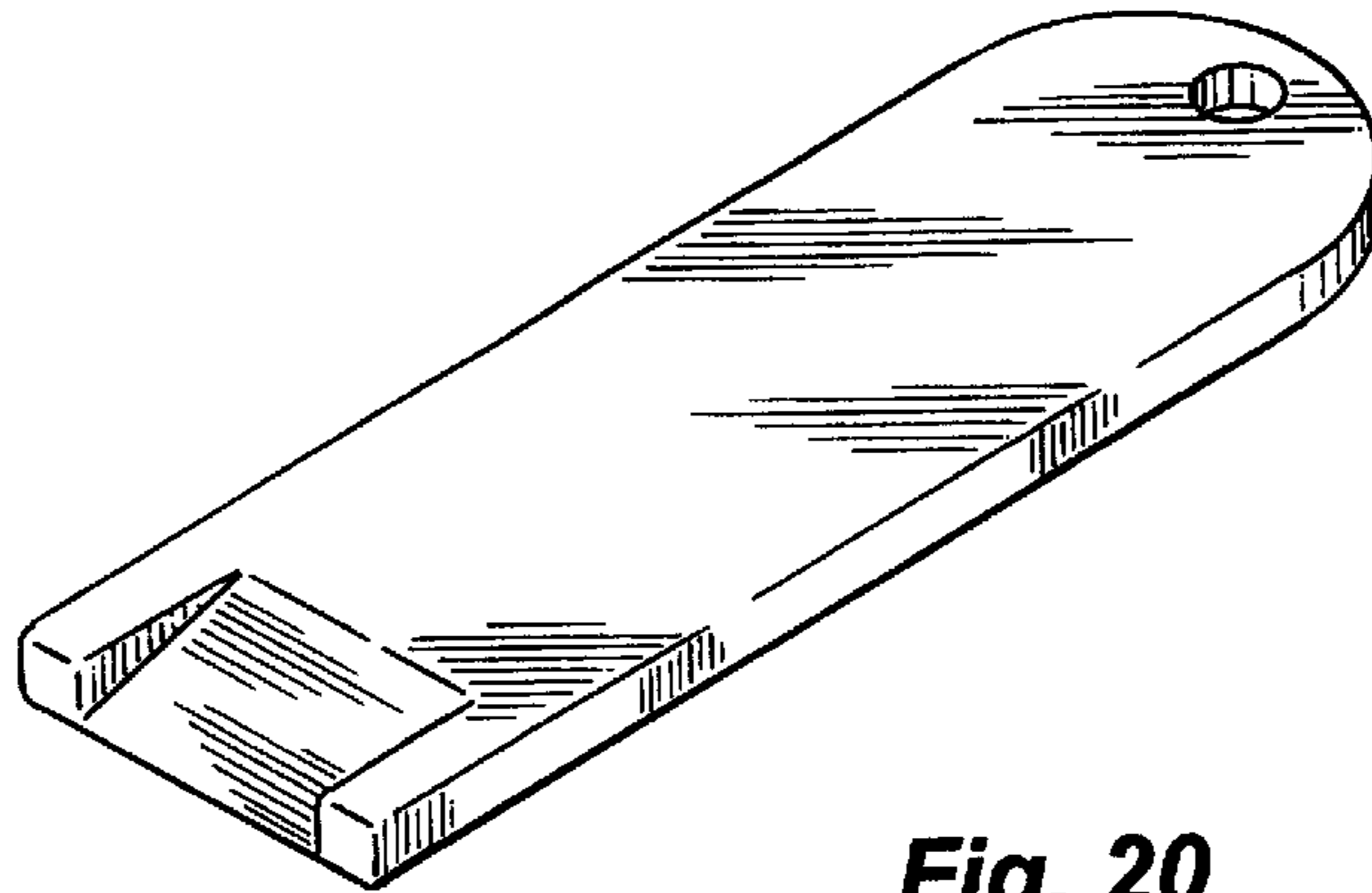


Fig. 20

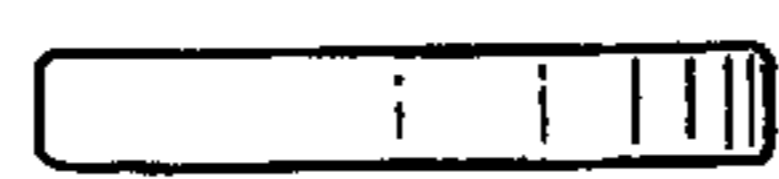


Fig. 23



Fig. 22

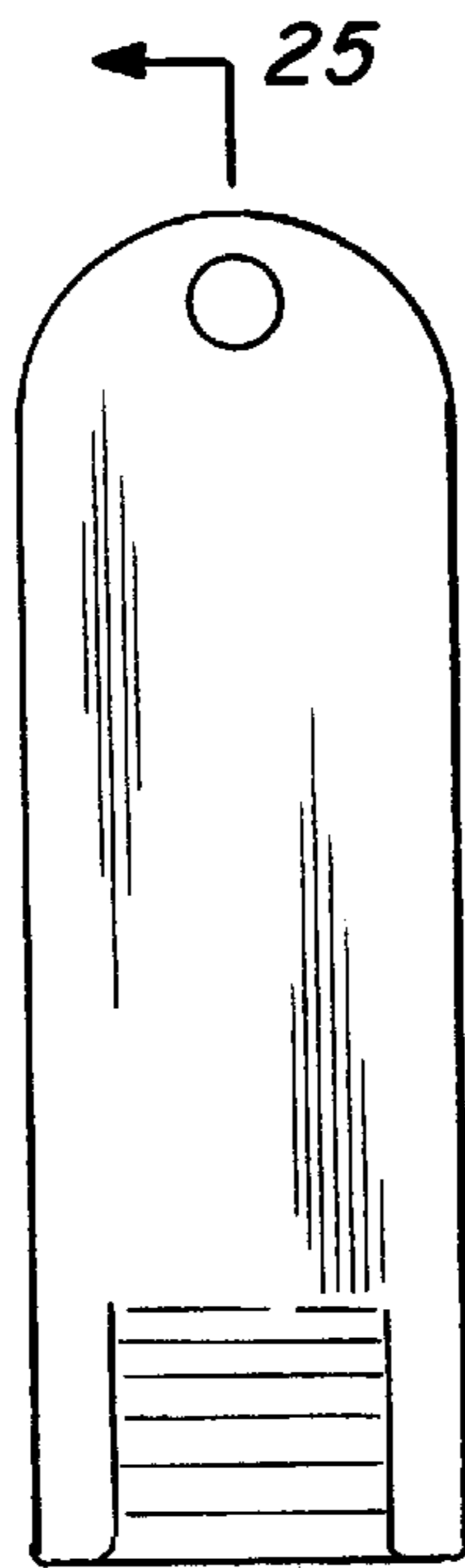


Fig. 21



Fig. 25

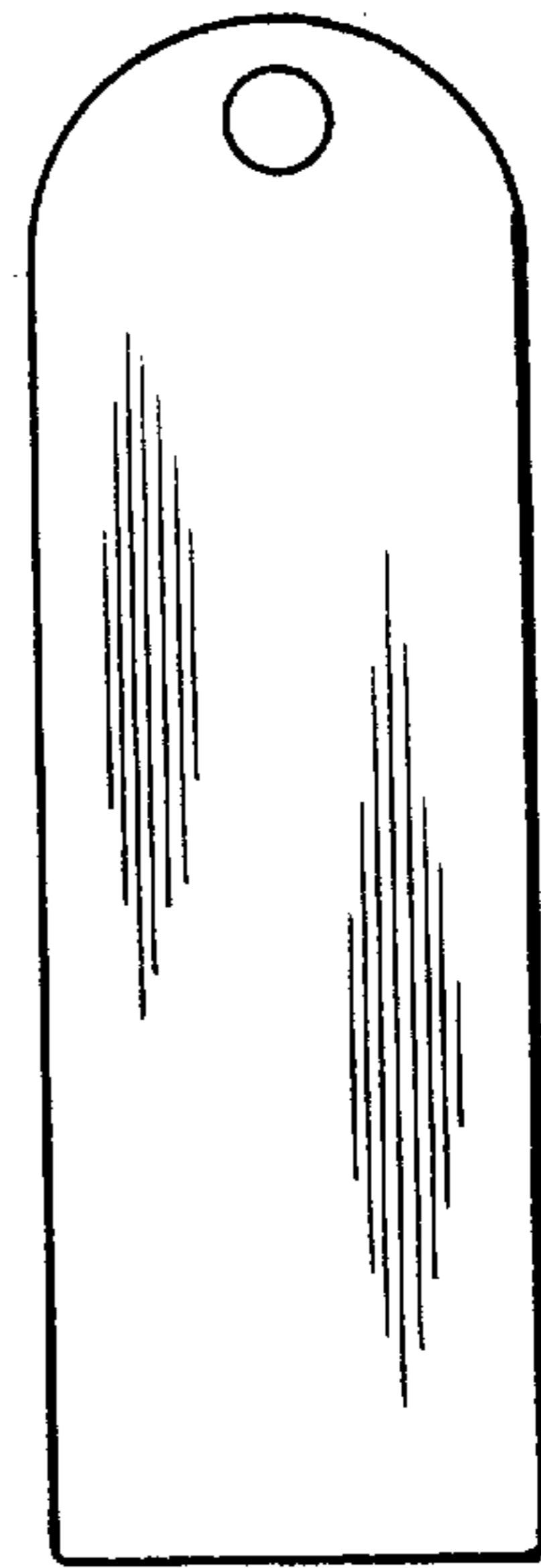


Fig. 26



Fig. 24