



US00D539104S

(12) **United States Design Patent**
Goodman et al.

(10) **Patent No.:** **US D539,104 S**
(45) **Date of Patent:** **** Mar. 27, 2007**

(54) **MUG HOLDER**

(75) Inventors: **Sheldon H. Goodman**, Solon, OH
(US); **Robert L. Blackadar**, Media,
OH (US)

(73) Assignee: **Spectrum Diversified Designs, Inc.**,
Streetsboro, OH (US)

(**) Term: **14 Years**

(21) Appl. No.: **29/258,193**

(22) Filed: **Apr. 18, 2006**

Related U.S. Application Data

(63) Continuation-in-part of application No. 29/238,938, filed on
Sep. 23, 2005, now Pat. No. Des. 529,348.

(51) **LOC (8) Cl.** **07-06**

(52) **U.S. Cl.** **D7/704; D6/457**

(58) **Field of Classification Search** D7/701-708,
D7/600.1-600.4; D6/405, 411, 457, 458,
D6/462, 465; 211/13.1, 30, 33, 71.01, 70.6,
211/70.7, 74, 77, 78

See application file for complete search history.

(56) **References Cited**

U.S. PATENT DOCUMENTS

2,010,093 A * 8/1935 Lazarus 211/30

D352,870 S * 11/1994 Eriksen D7/708
D385,758 S * 11/1997 Hollinger D7/704
D393,783 S * 4/1998 Goodman D7/704
D404,980 S * 2/1999 Goodman D7/704
D447,393 S * 9/2001 Bodum D7/707
D496,191 S * 9/2004 Johnson D6/465

* cited by examiner

Primary Examiner—Terry A. Wallace

(74) *Attorney, Agent, or Firm*—Pearne & Gordon LLP

(57) **CLAIM**

The ornamental design for a mug holder, as shown and
described.

DESCRIPTION

FIG. 1 is a perspective view of a mug holder, showing our
new design;

FIG. 2 is a side elevational view thereof;

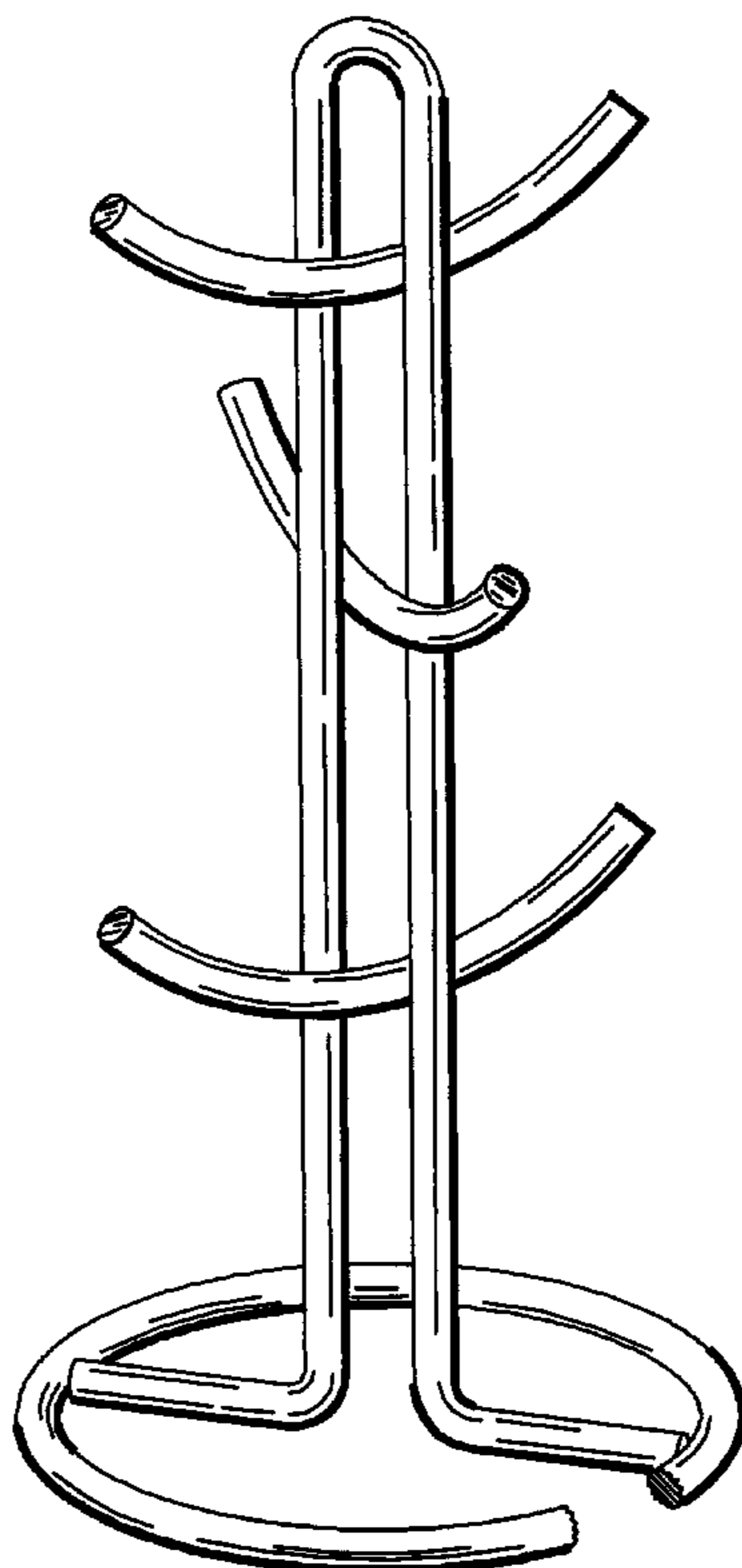
FIG. 3 is a rear elevational view thereof; and,

FIG. 4 is a top plan view thereof.

The portion of the peripheral member that is shown broken
away indicates that the space between the two ends may
vary.

The cross-hatching does not indicate a type of material, but
only identifies the section break.

1 Claim, 2 Drawing Sheets



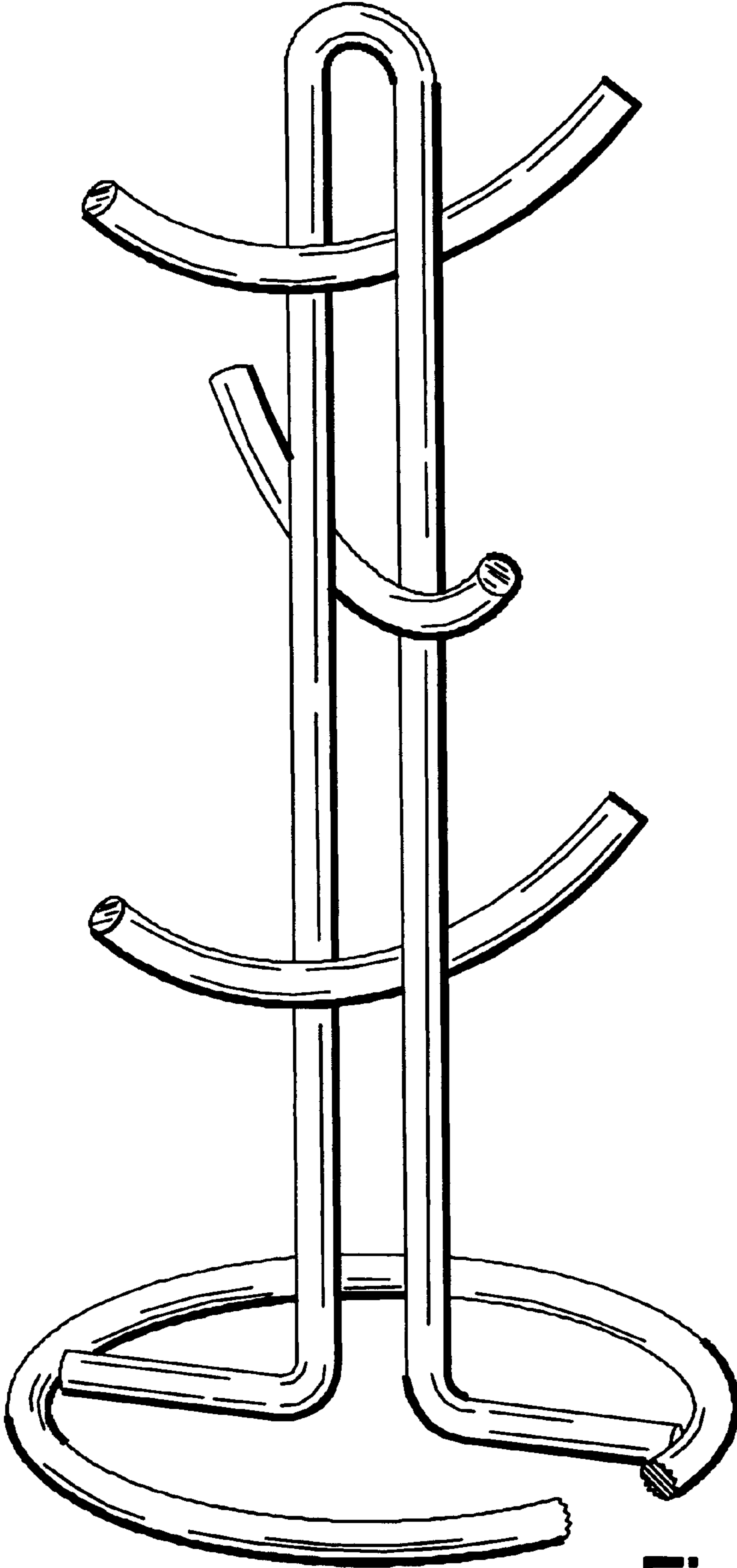


Fig. 1

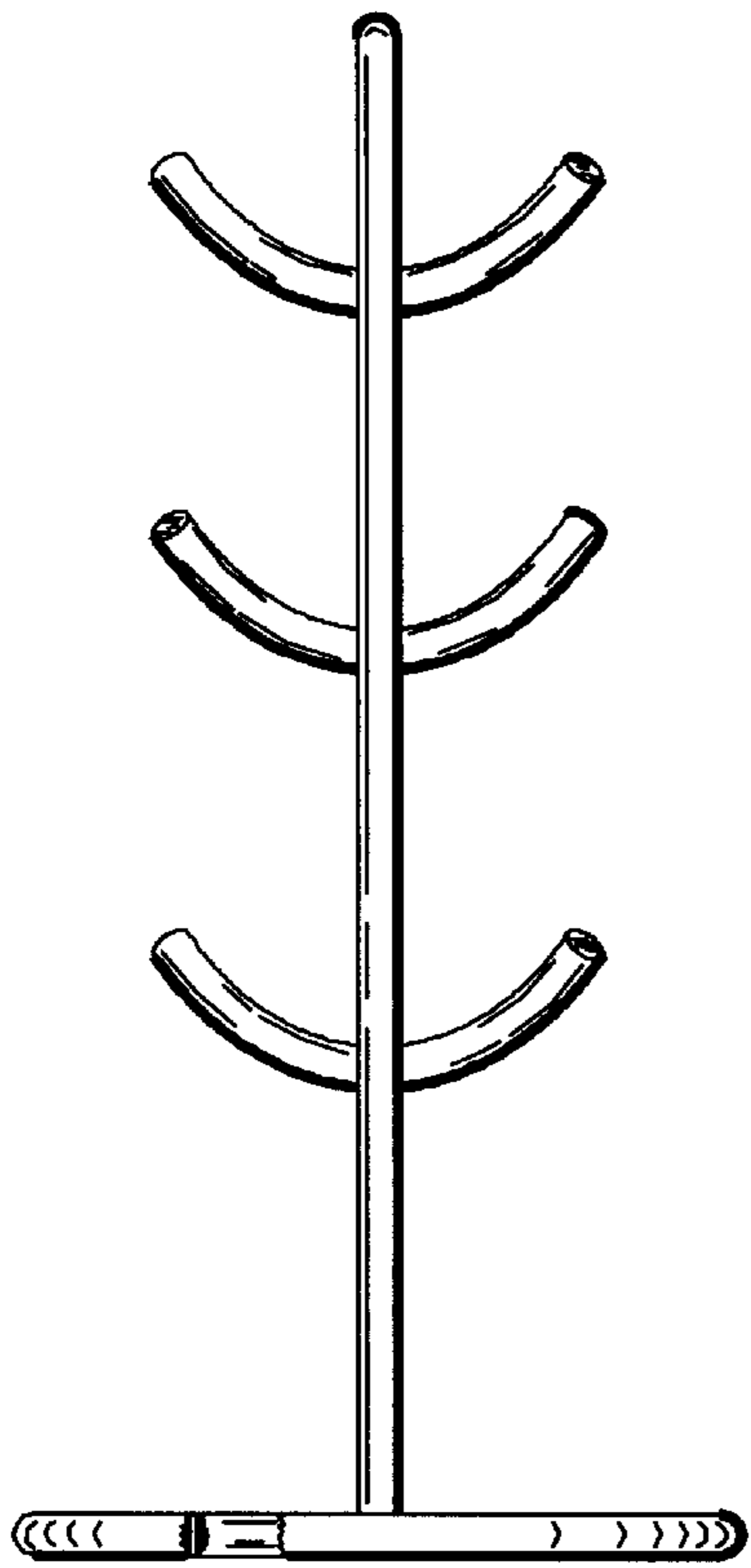


Fig. 2

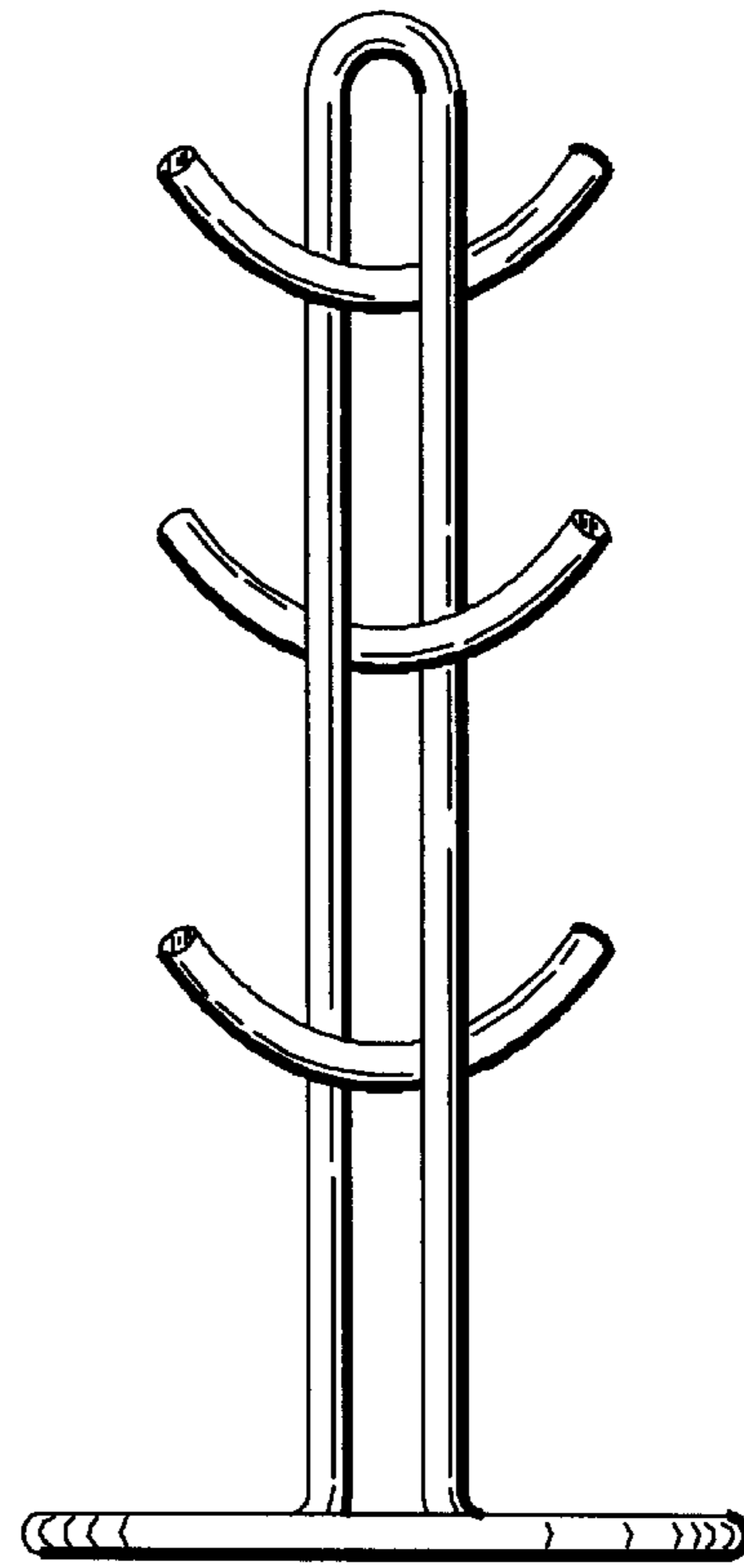


Fig. 3

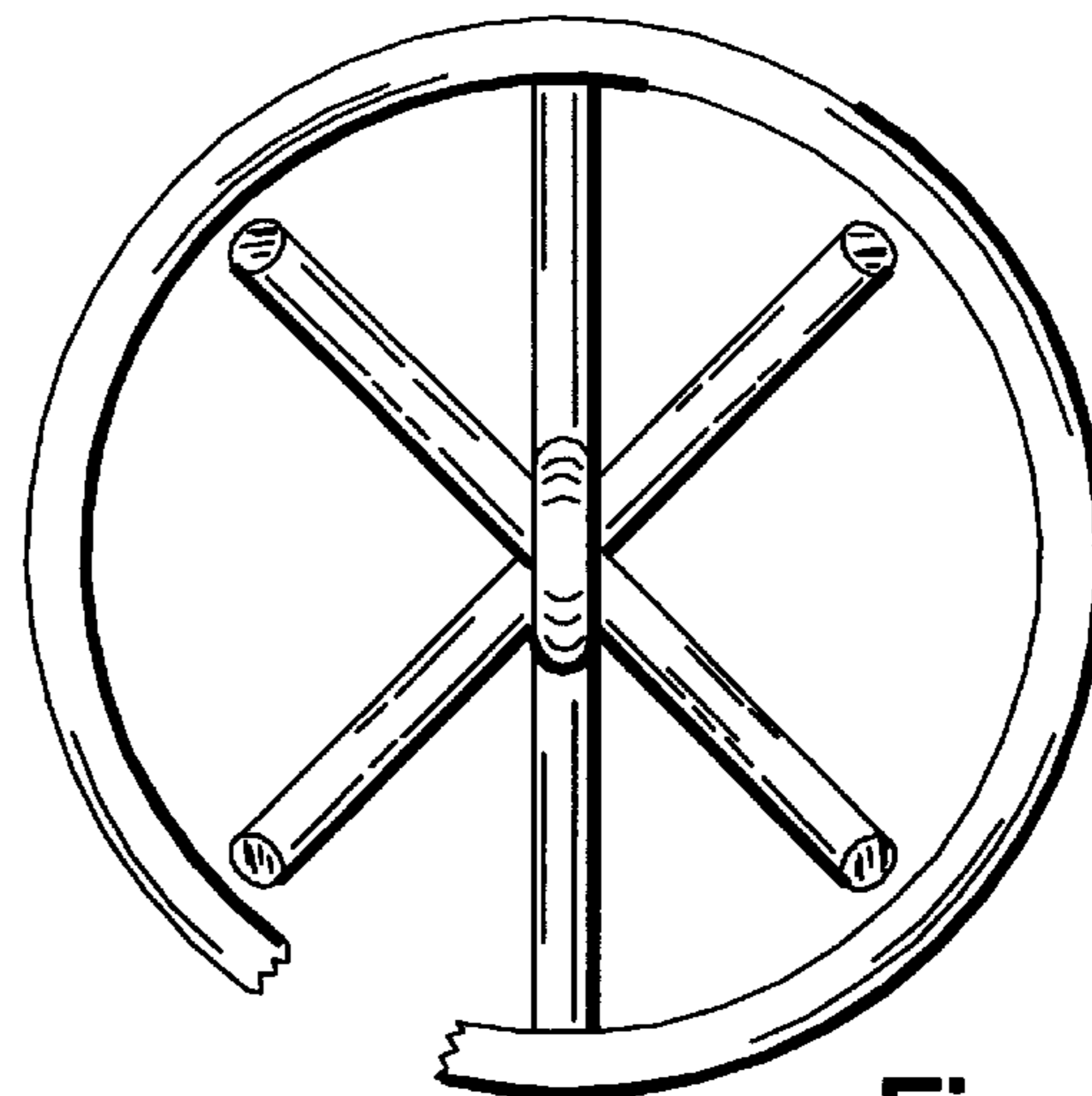


Fig. 4

UNITED STATES PATENT AND TRADEMARK OFFICE
CERTIFICATE OF CORRECTION

PATENT NO. : Des. 539,104 S
APPLICATION NO. : 29/258193
DATED : March 27, 2007
INVENTOR(S) : Sheldon H. Goodman et al.

Page 1 of 1

It is certified that error appears in the above-identified patent and that said Letters Patent is hereby corrected as shown below:

Title page, item [75] inventor: delete "Media" and insert -- Medina --.

Signed and Sealed this

Fifth Day of June, 2007

A handwritten signature in black ink on a light gray dotted background. The signature reads "Jon W. Dudas" in a cursive style.

JON W. DUDAS

Director of the United States Patent and Trademark Office