



US00D539102S

(12) **United States Design Patent**
Goodman et al.

(10) **Patent No.:** **US D539,102 S**
(45) **Date of Patent:** **** Mar. 27, 2007**

(54) **SPOON REST**

6,505,746 B1 * 1/2003 Johnson 211/70.7

(75) Inventors: **Sheldon H. Goodman**, Solon, OH
(US); **Robert L. Blackadar**, Media,
OH (US)

* cited by examiner

Primary Examiner—Terry A. Wallace
(74) *Attorney, Agent, or Firm*—Pearne & Gordon LLP

(73) Assignee: **Spectrum Diversified Designs, Inc.**,
Streetsboro, OH (US)

(57) **CLAIM**

(**) Term: **14 Years**

The ornamental design for a spoon rest, as shown and described.

(21) Appl. No.: **29/258,205**

DESCRIPTION

(22) Filed: **Apr. 18, 2006**

Related U.S. Application Data

FIG. 1 is a perspective view of a spoon rest showing our new design;

(63) Continuation-in-part of application No. 29/239,043, filed on Sep. 23, 2005.

FIG. 2 is a front elevational view thereof;

(51) **LOC (8) Cl.** **07-07**

FIG. 3 is a top plan view thereof; and,

(52) **U.S. Cl.** **D7/637; D7/601**

FIG. 4 is side elevational view thereof.

(58) **Field of Classification Search** D7/601,
D7/637-641; 211/60.1, 70.6, 70.7, 74; 248/37.3,
248/37.6, 311.2, 309.1, 126

The broken-line disclosure of elements in the views is for illustrative purposes only and forms no part of the claimed design.

See application file for complete search history.

The portion of the peripheral member that is shown broken away indicates that the space between the two ends may vary.

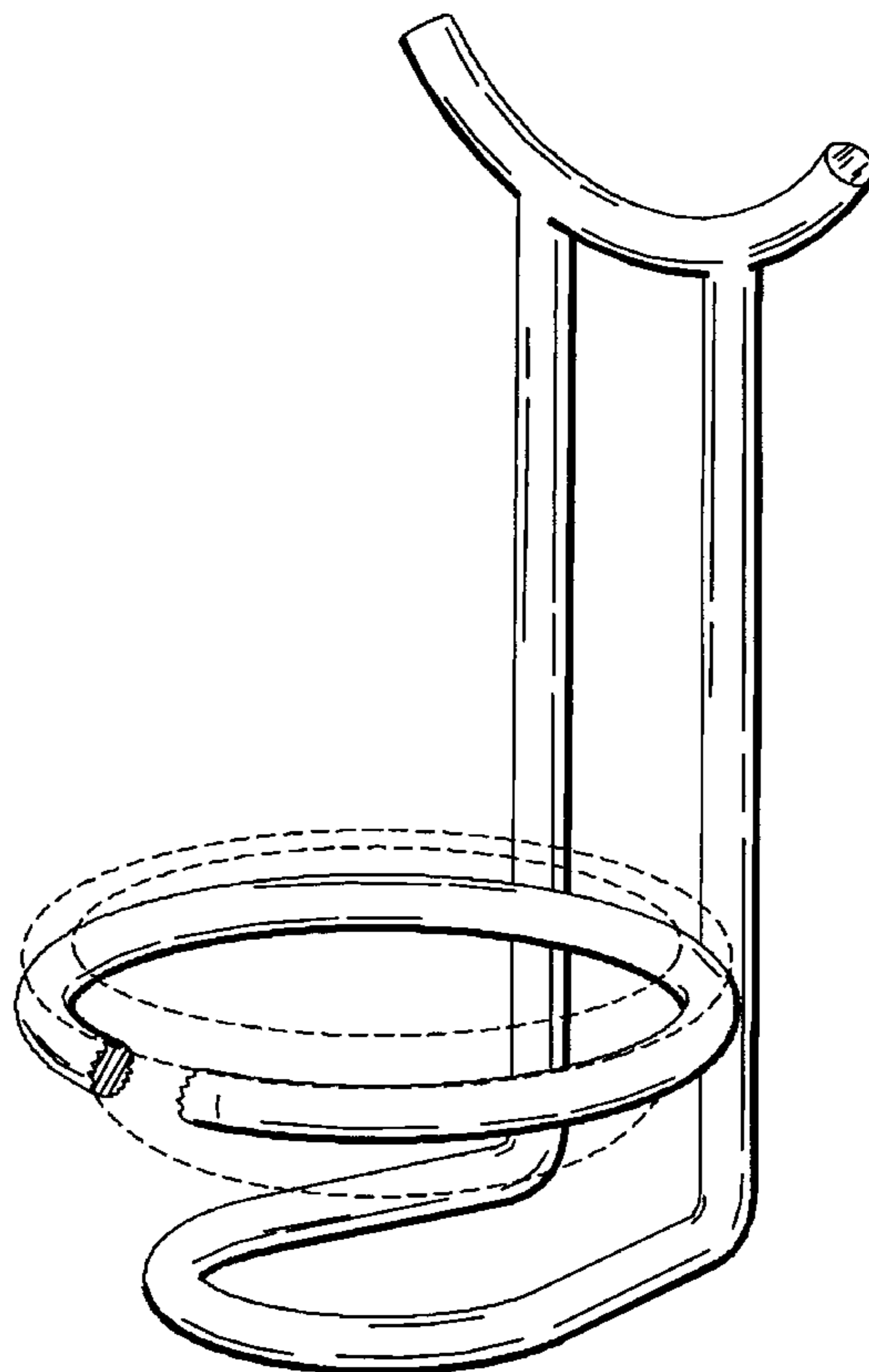
(56) **References Cited**

The cross-hatching does not indicate a type of material, but only identifies the section break.

U.S. PATENT DOCUMENTS

2,286,012 A * 6/1942 Rochow 248/37.6

1 Claim, 2 Drawing Sheets



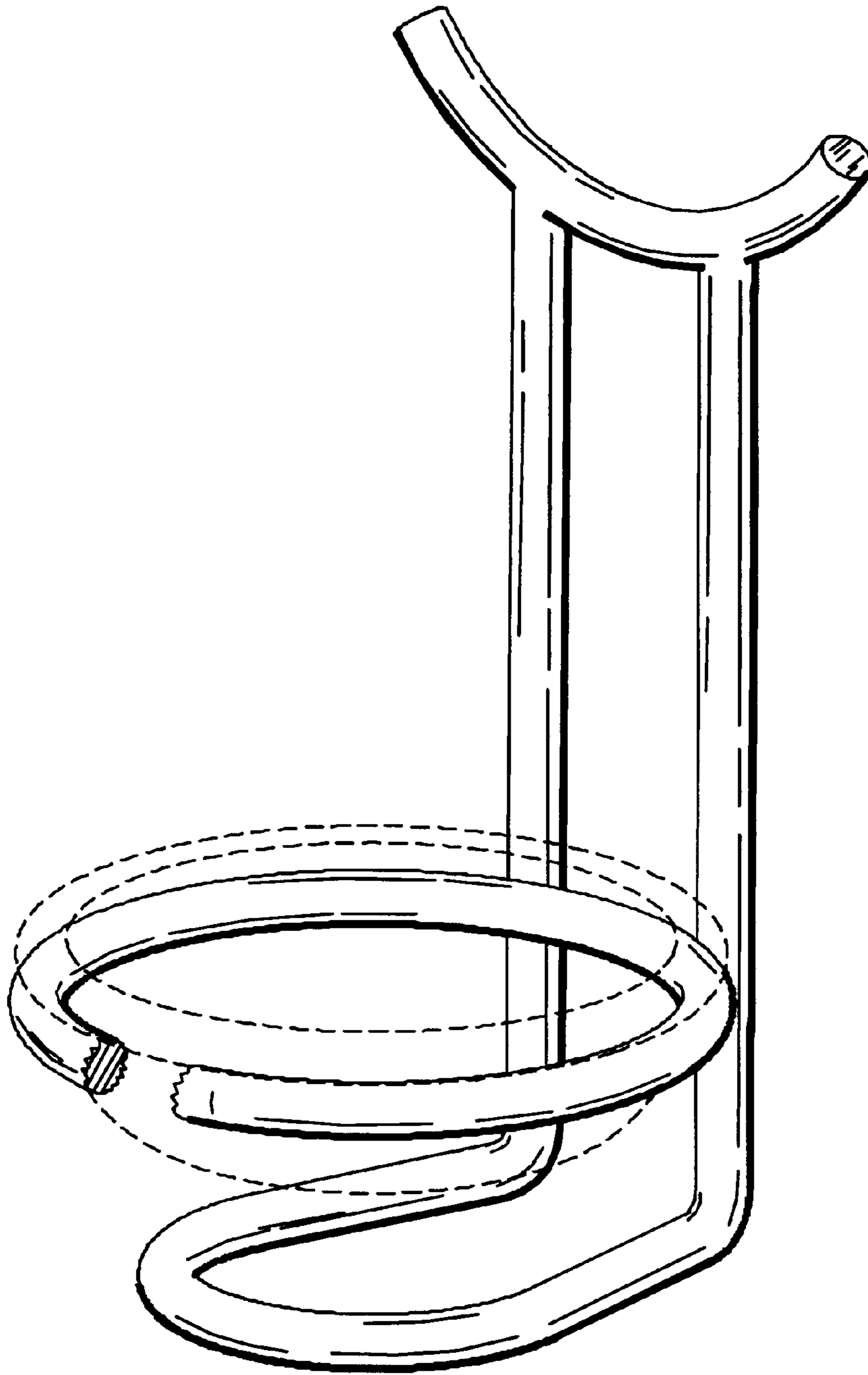


Fig. 1

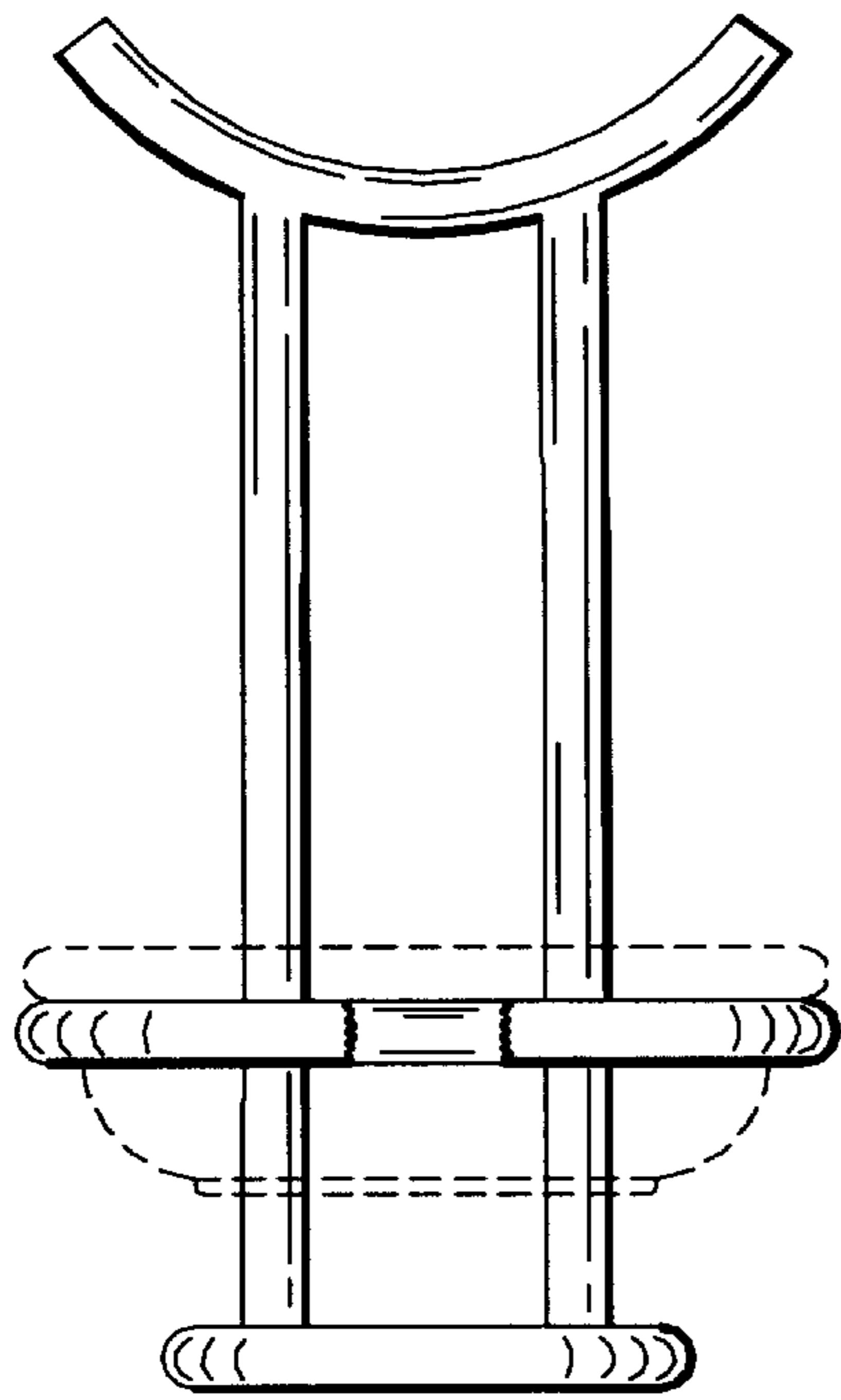


Fig. 2

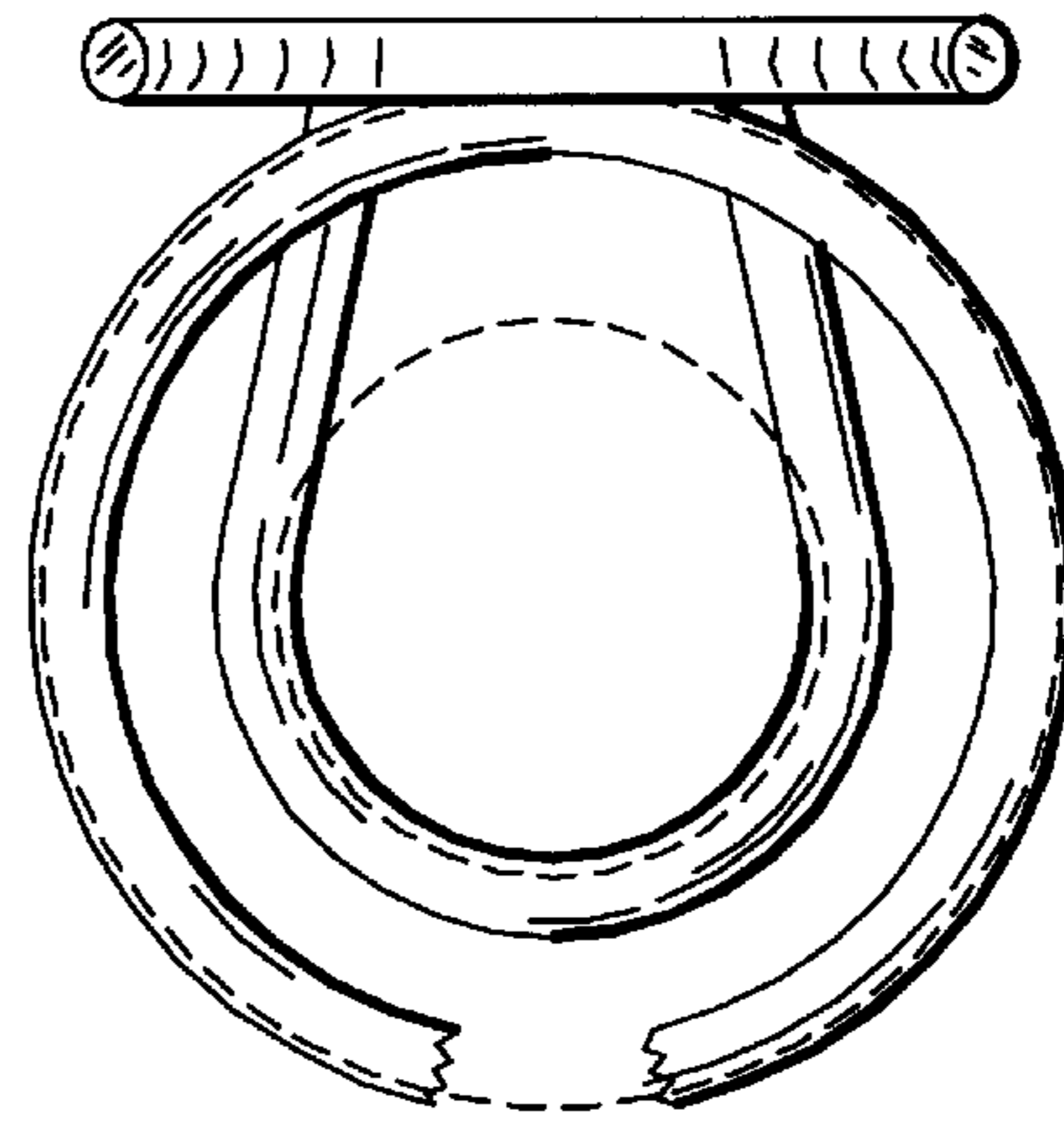


Fig. 3

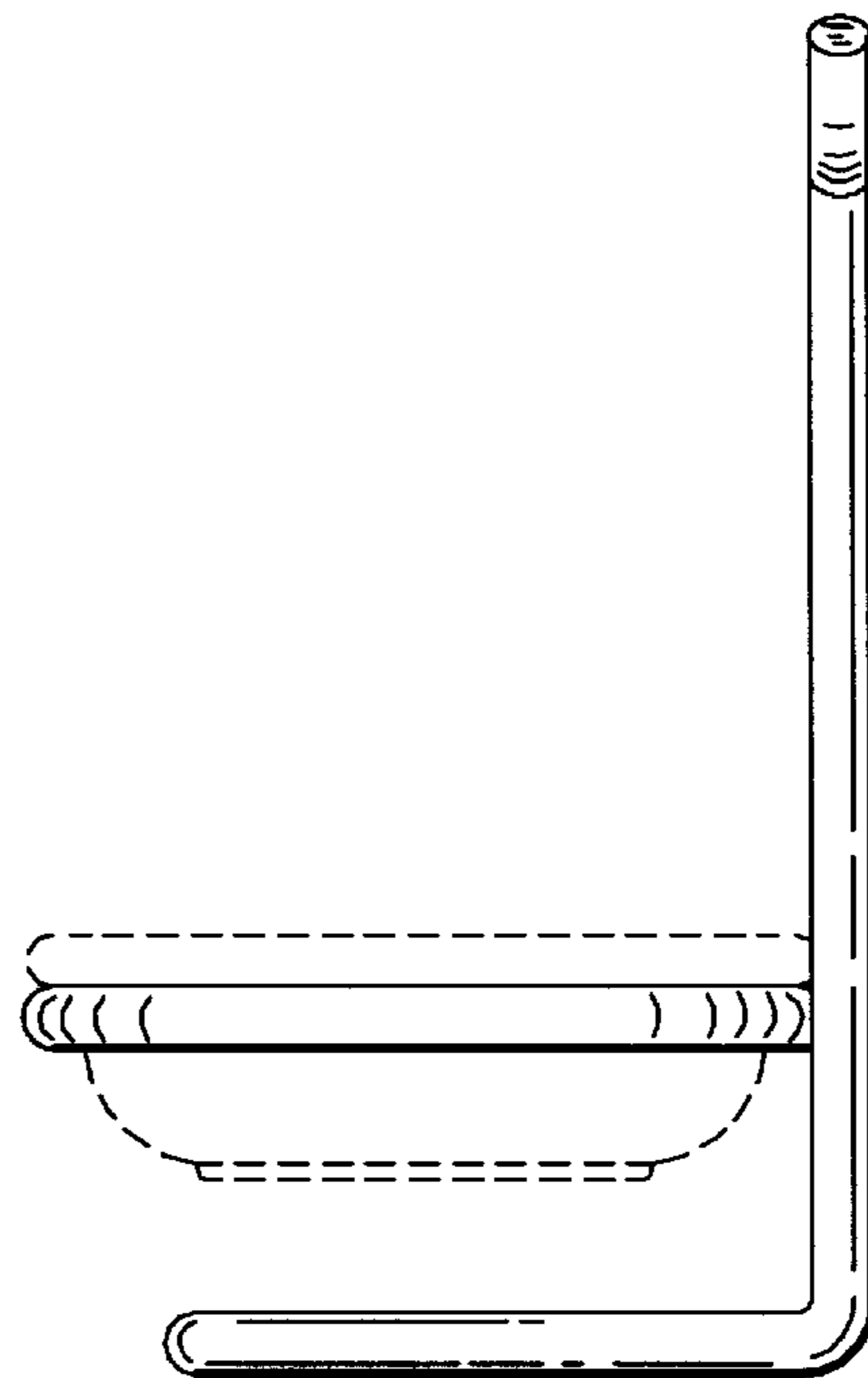


Fig. 4