



US00D539099S

(12) **United States Design Patent**  
**Tucker et al.**

(10) **Patent No.:** **US D539,099 S**  
(45) **Date of Patent:** **\*\* Mar. 27, 2007**

(54) **CONTAINER FOR FOOD**

(75) Inventors: **Edward B. Tucker**, Yorkville, IL (US);  
**Anand Ramanujam**, Arlington Heights,  
IL (US); **Lawrence John Racana**,  
Willowbrook, IL (US); **Ares**  
**Marasligiller**, Cincinnati, OH (US);  
**Jason Phillips**, Cincinnati, OH (US);  
**Yashodhan Dhuru**, Cincinnati, OH  
(US); **Gordon D. Thomas**, Mason, OH  
(US); **Scott Zieker**, Cincinnati, OH  
(US)

(73) Assignee: **The Glad Products Company**,  
Oakland, CA (US)

(\*\*) Term: **14 Years**

(21) Appl. No.: **29/254,065**

(22) Filed: **Feb. 15, 2006**

(51) **LOC (8) Cl.** ..... **07-07**

(52) **U.S. Cl.** ..... **D7/629; D7/542**

(58) **Field of Classification Search** ..... D7/602,  
D7/629, 601, 612-615, 538-542; D9/424-432;  
220/360, 4.21, 366, 574, 780-806, 912, 913  
See application file for complete search history.

(56) **References Cited**

**U.S. PATENT DOCUMENTS**

4,412,630 A	*	11/1983	Daenen	.....	220/792
D411,741 S	*	6/1999	Wilson et al.	.....	D9/425
6,142,332 A	*	11/2000	Ferrara	.....	220/796
6,305,546 B1	*	10/2001	Saunders et al.	.....	220/367.1
D462,880 S	*	9/2002	Maxwell et al.	.....	D7/629
D502,060 S	*	2/2005	Dais et al.	.....	D7/629

\* cited by examiner

*Primary Examiner*—Terry A. Wallace

(74) *Attorney, Agent, or Firm*—Thomas C. Feix

(57) **CLAIM**

The ornamental design for a container for food, as shown and described.

**DESCRIPTION**

FIG. 1 is a front perspective view of a container for food showing our new design;

FIG. 2 is a top plan view thereof;

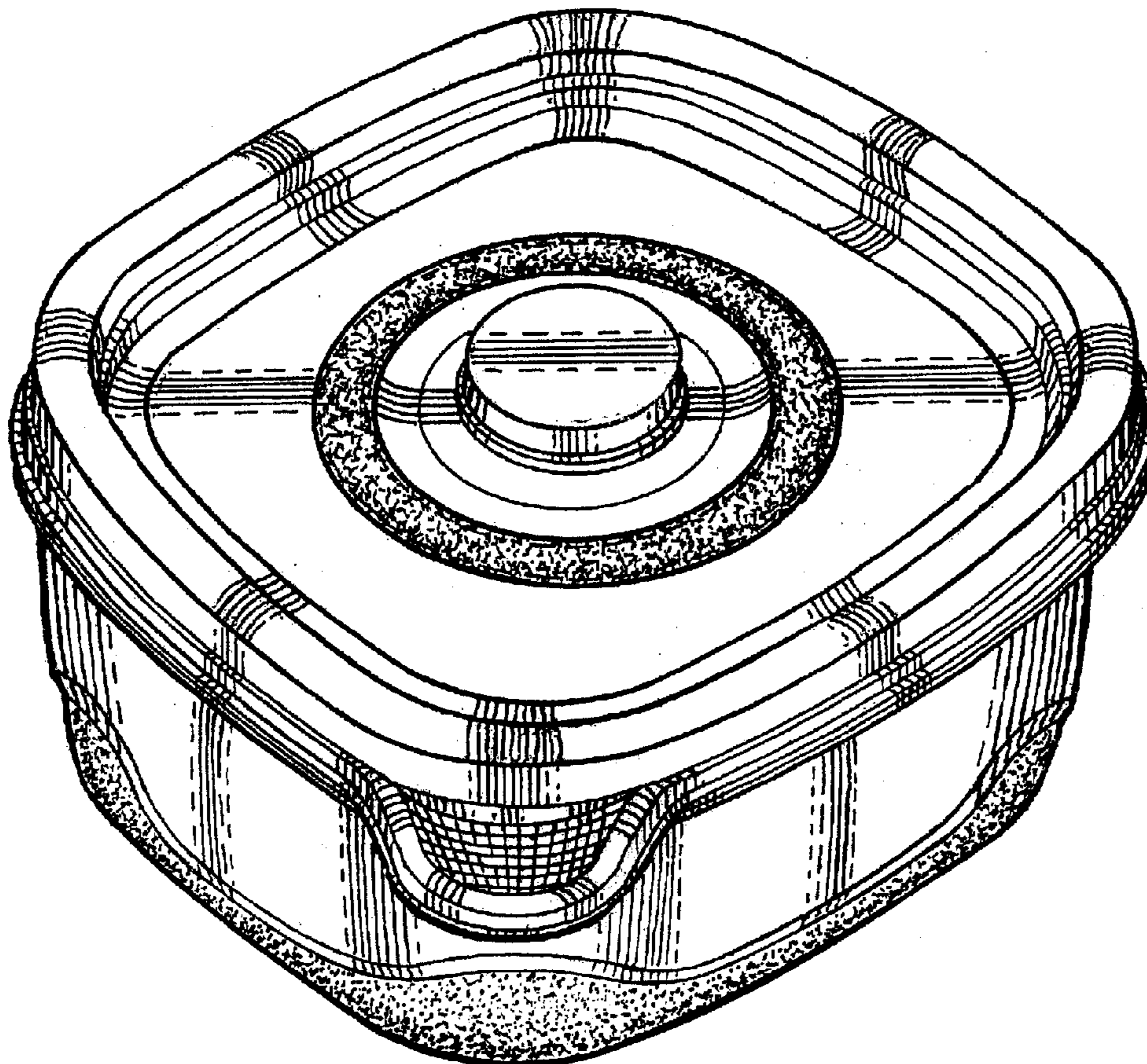
FIG. 3 is a bottom plan view thereof;

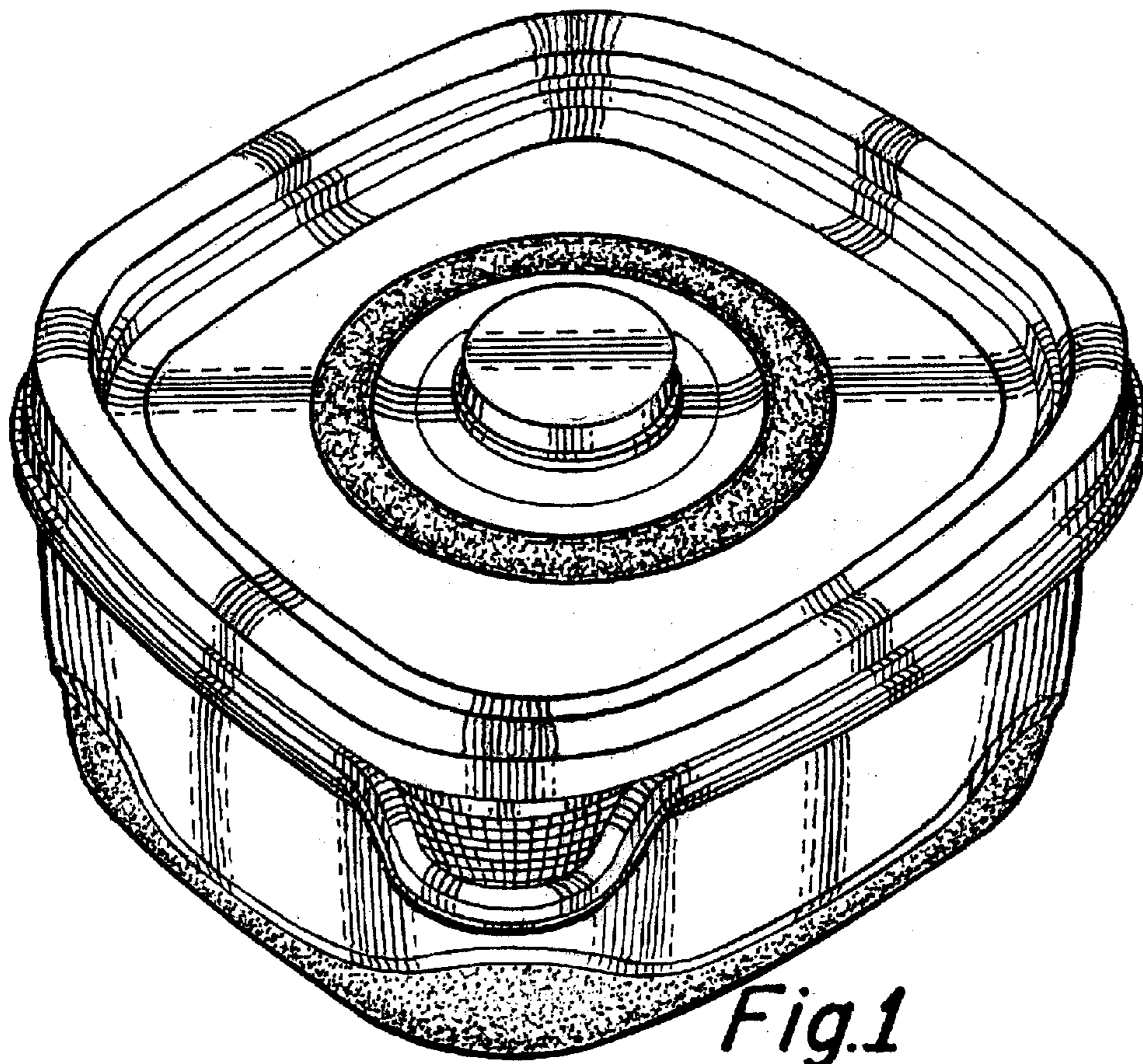
FIG. 4 is a left side elevational view thereof;

FIG. 5 is a front elevational view thereof; and,

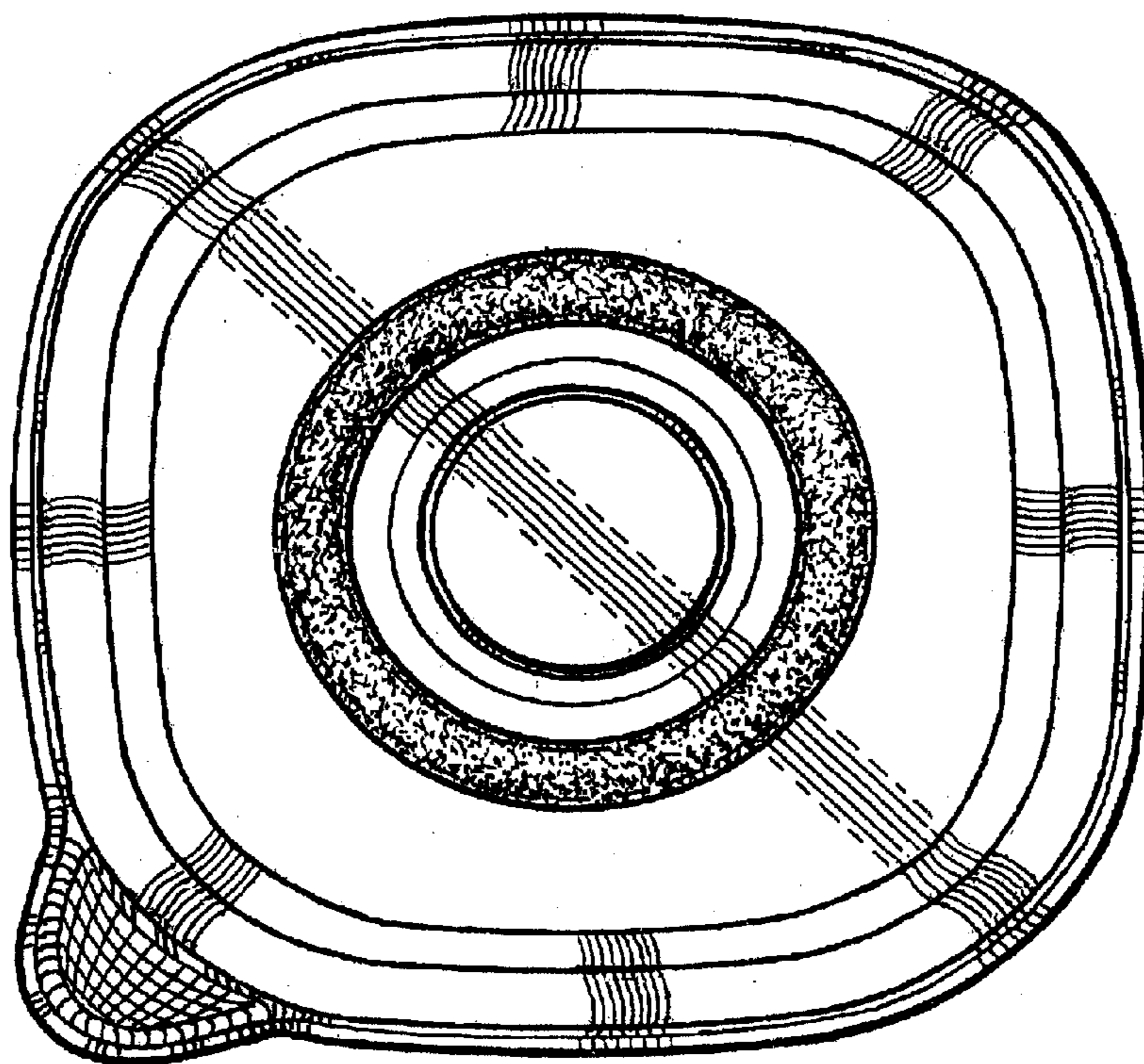
FIG. 6 is a right side elevational view thereof, the rear elevational view being a mirror image thereof.

**1 Claim, 2 Drawing Sheets**

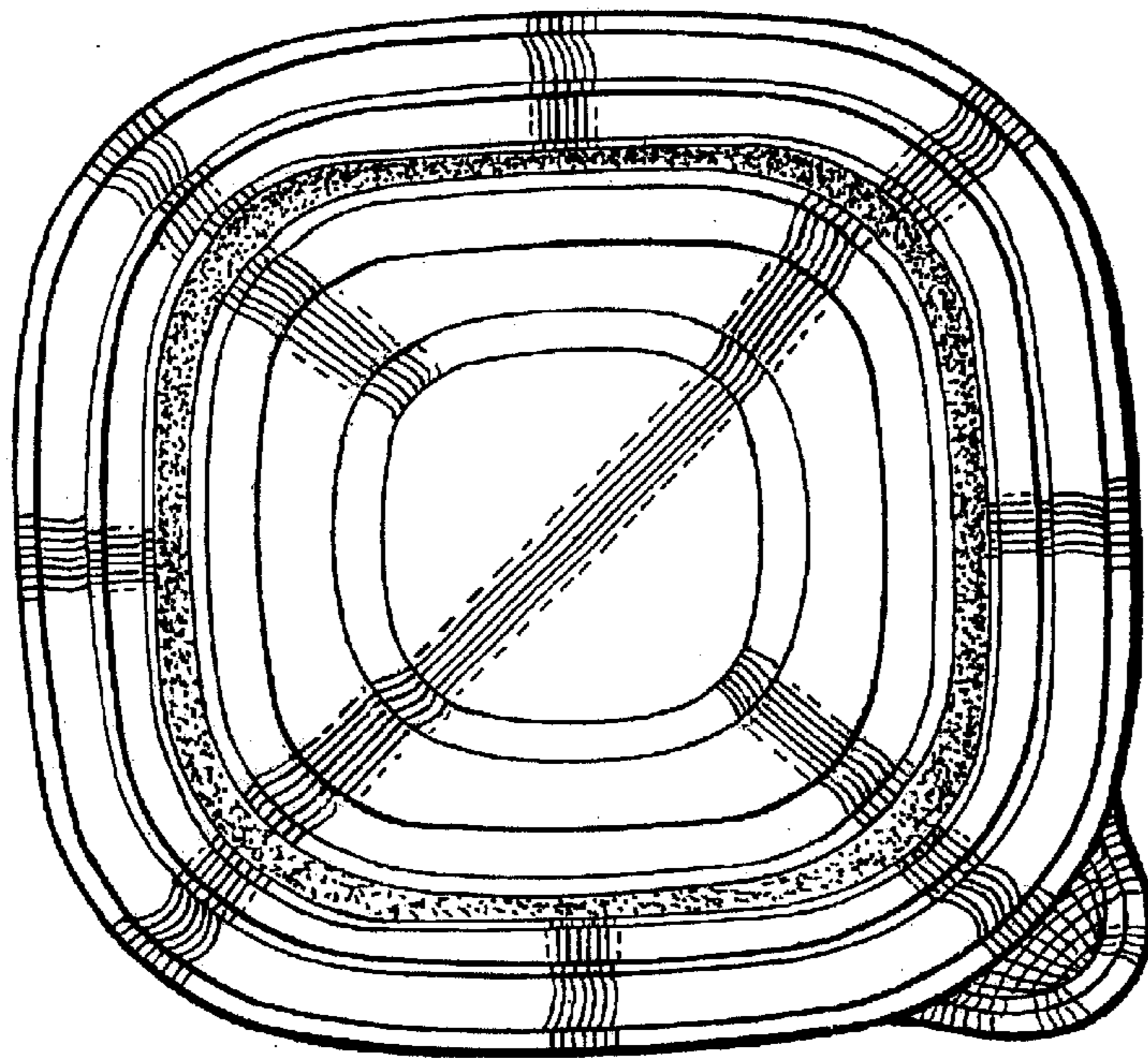




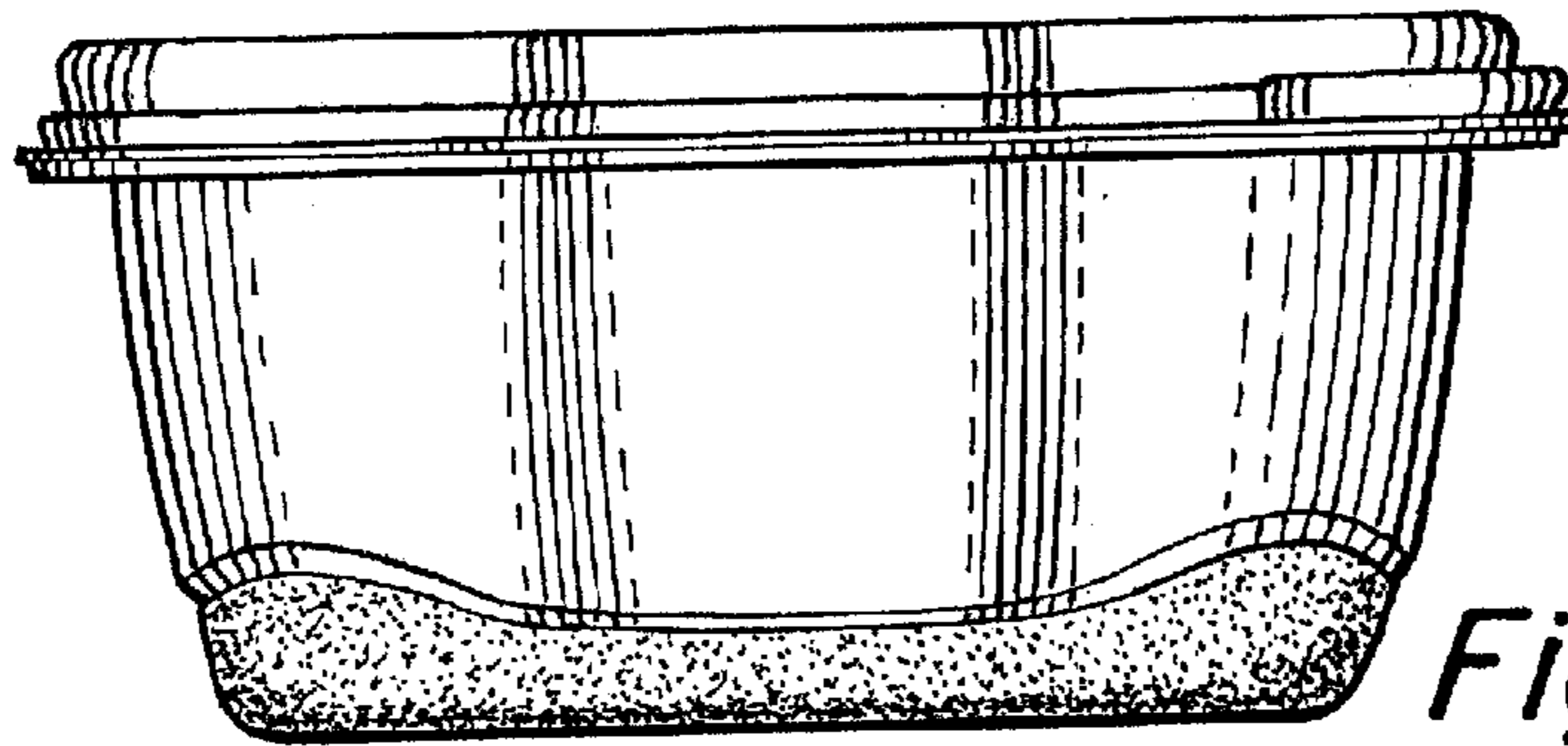
*Fig.1*



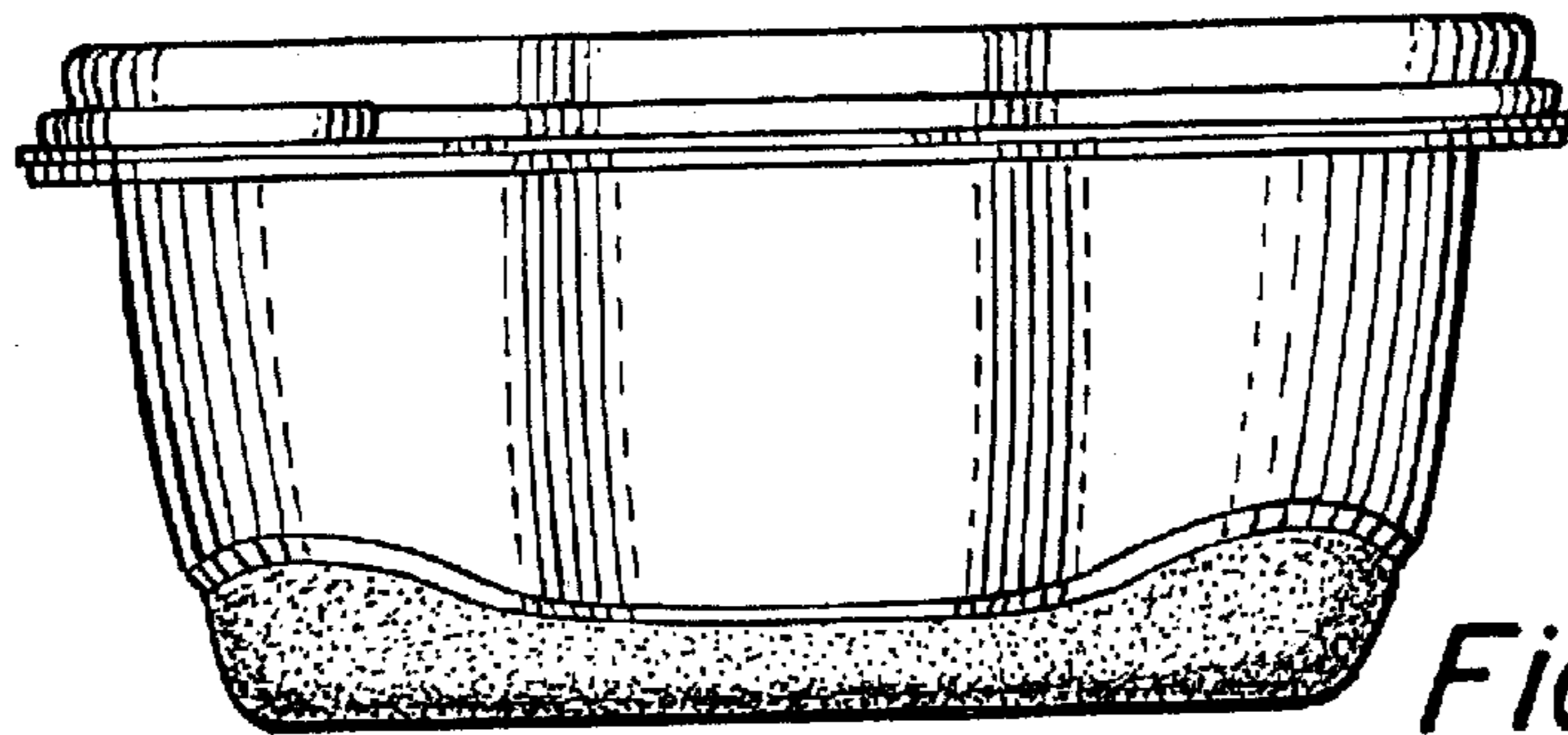
*Fig.2*



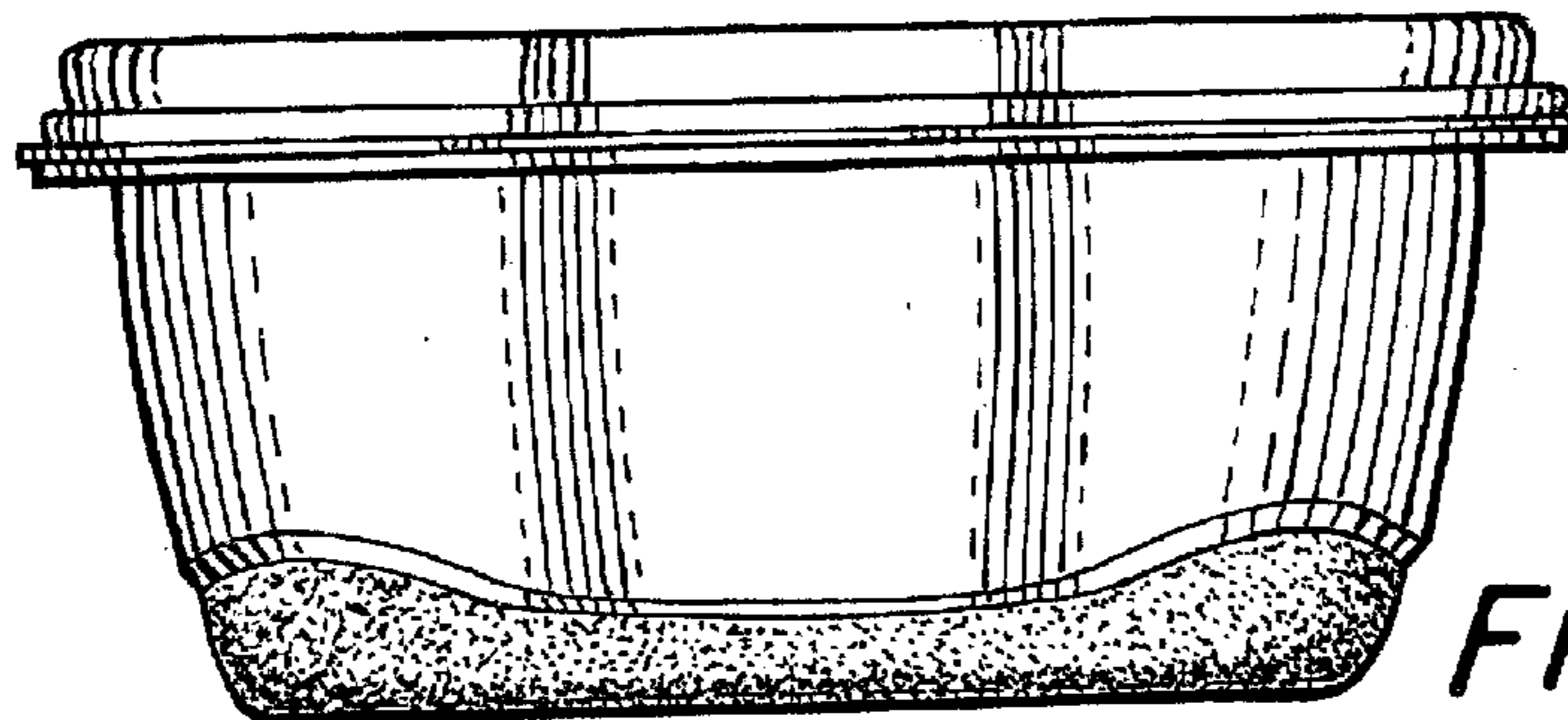
*Fig.3*



*Fig.4*



*Fig.5*



*Fig.6*