



US00D539098S

(12) **United States Design Patent**  
**Tucker et al.**

(10) **Patent No.: US D539,098 S**  
(45) **Date of Patent: \*\* Mar. 27, 2007**

(54) **CONTAINER FOR FOOD**

(75) Inventors: **Edward B. Tucker**, Yorkville, IL (US);  
**Anand Ramanujam**, Arlington Heights,  
IL (US); **Lawrence John Racana**,  
Willowbrook, IL (US); **Ares**  
**Marasligiller**, Cincinnati, OH (US);  
**Jason Phillips**, Cincinnati, OH (US);  
**Yashodhan Dhuru**, Cincinnati, OH  
(US); **Gordon D. Thomas**, Mason, OH  
(US); **Scott Zieker**, Cincinnati, OH  
(US)

(73) Assignee: **The Glad Products Company**,  
Oakland, CA (US)

(\*\*) Term: **14 Years**

(21) Appl. No.: **29/254,062**

(22) Filed: **Feb. 15, 2006**

(51) **LOC (8) Cl.** ..... **07-07**

(52) **U.S. Cl.** ..... **D7/629; D7/542**

(58) **Field of Classification Search** ..... D7/602,  
D7/629, 601, 612-615, 538-542; D9/424-432;  
220/360, 4.21, 366, 574, 780-806, 912, 913  
See application file for complete search history.

(56) **References Cited**

U.S. PATENT DOCUMENTS

2,816,589 A \* 12/1957 Tupper ..... 220/780

4,471,880 A \* 9/1984 Taylor et al. .... 220/792  
4,809,868 A \* 3/1989 Pomroy ..... 220/260  
D336,596 S \* 6/1993 Osgood et al. .... D7/608  
D344,210 S \* 2/1994 Cousins et al. .... D7/538  
D398,485 S \* 9/1998 Landauer et al. .... D7/629  
5,894,953 A \* 4/1999 Ramirez ..... 220/785  
D419,394 S \* 1/2000 Wilson et al. .... D7/629  
D476,861 S \* 7/2003 Zettle et al. .... D7/629

\* cited by examiner

*Primary Examiner*—Terry A. Wallace

(74) *Attorney, Agent, or Firm*—Thomas C. Feix

(57) **CLAIM**

The ornamental design for a container for food, as shown  
and described.

**DESCRIPTION**

FIG. 1 is a front perspective view of a container for food  
showing our new design;

FIG. 2 is a top plan view thereof;

FIG. 3 is a bottom plan view thereof;

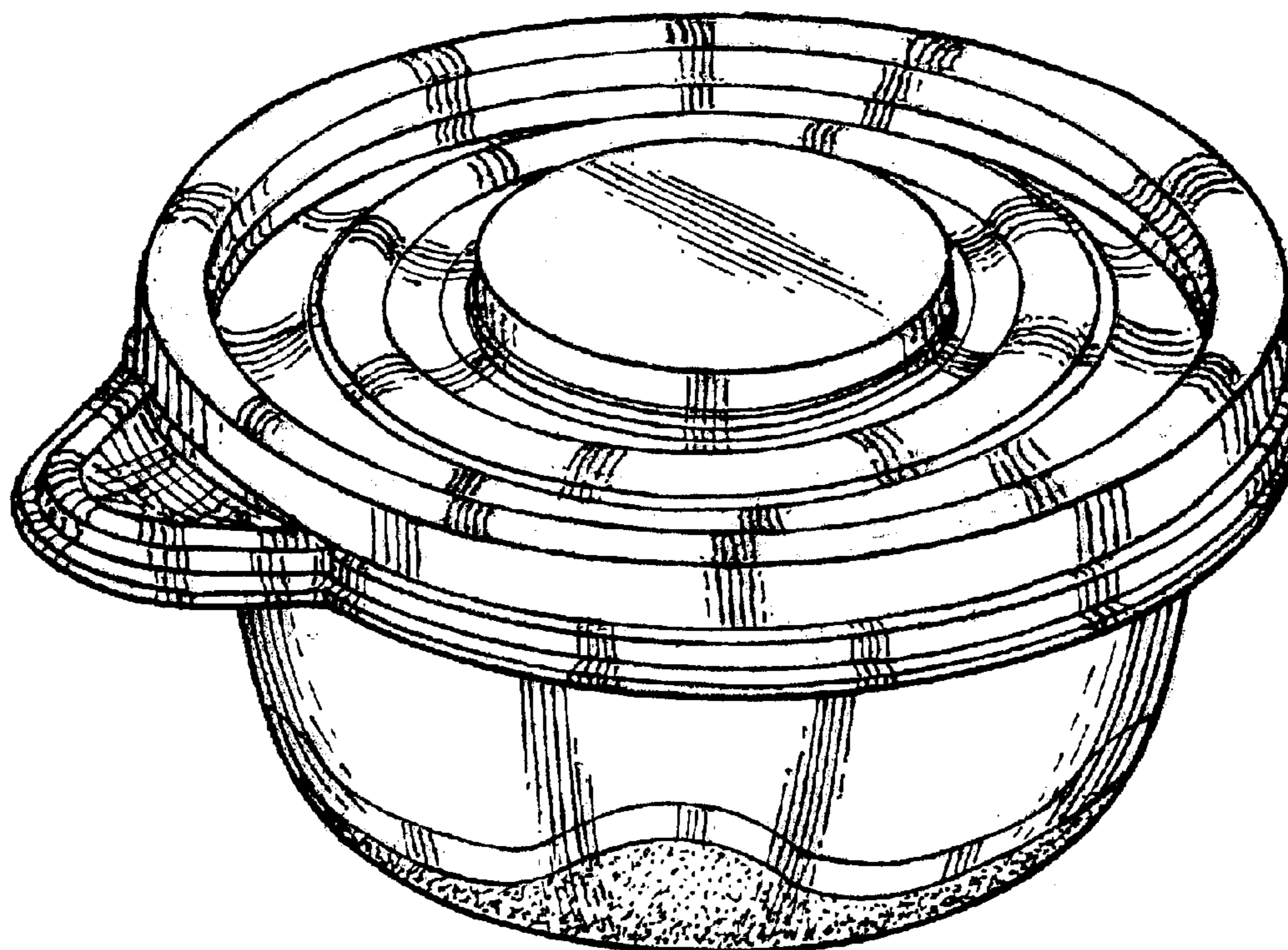
FIG. 4 is a front elevational view thereof;

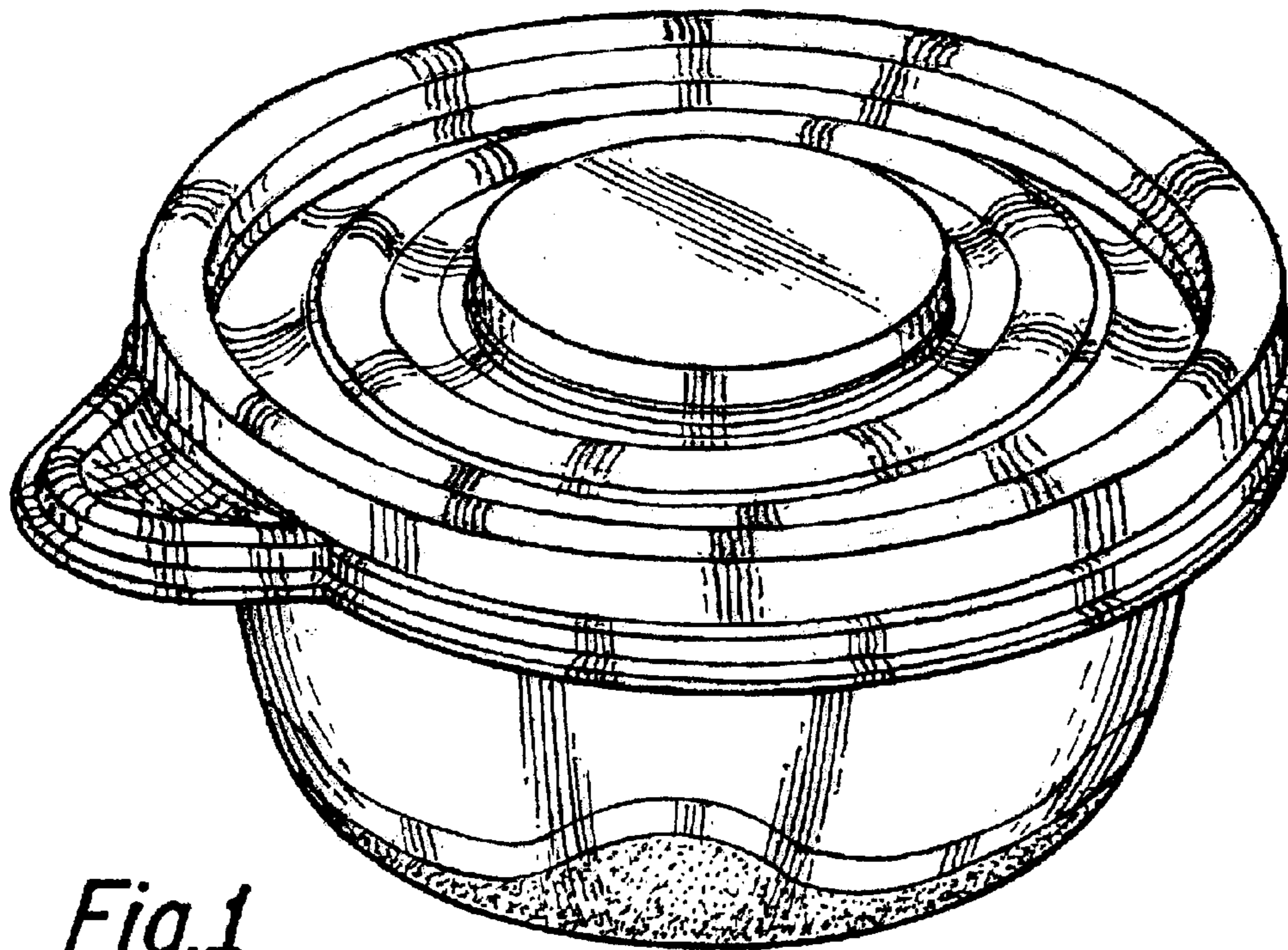
FIG. 5; is a rear elevational view thereof;

FIG. 6 is a left side elevational view thereof; and,

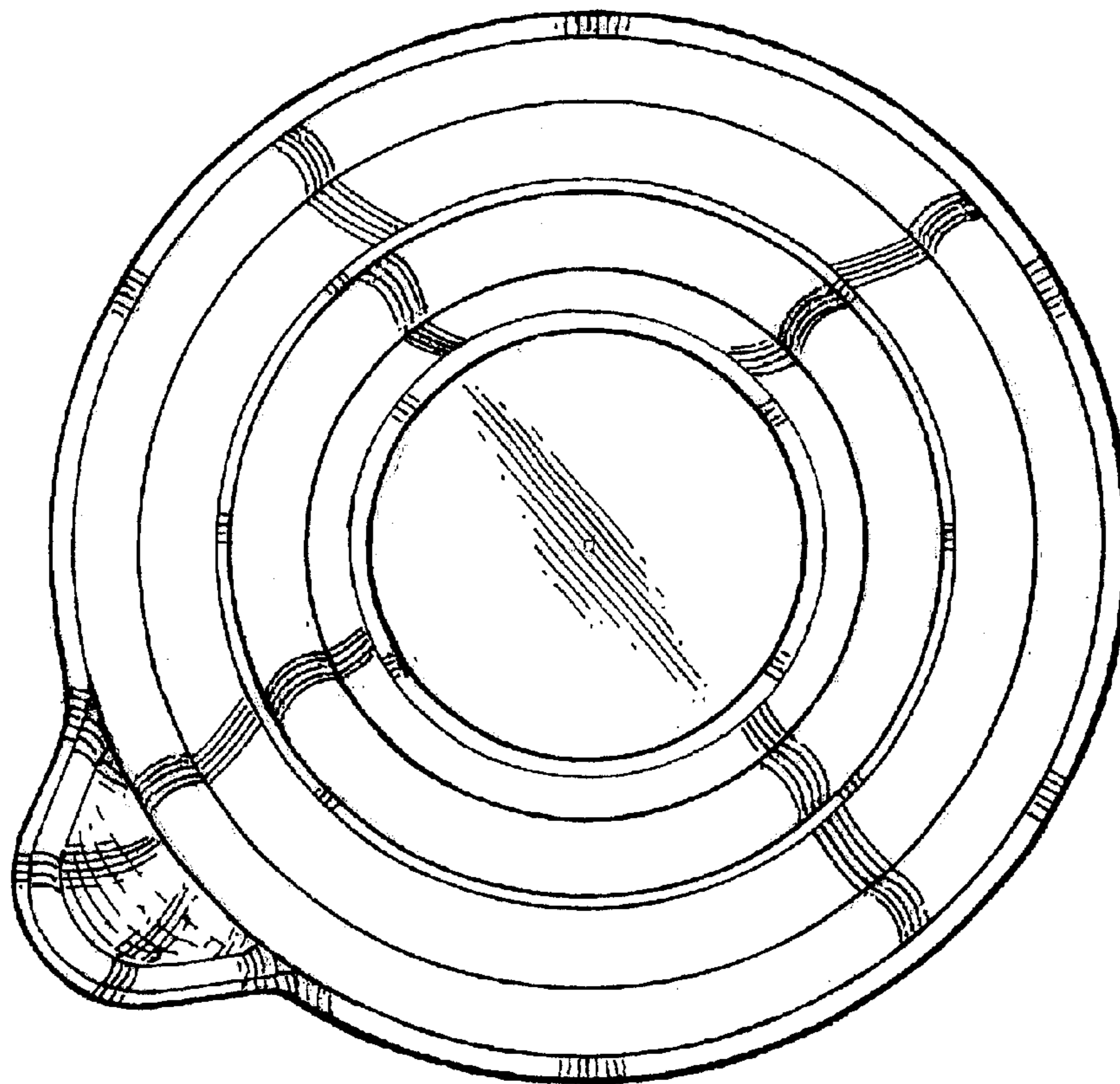
FIG. 7 is a right side elevational view thereof.

**1 Claim, 3 Drawing Sheets**

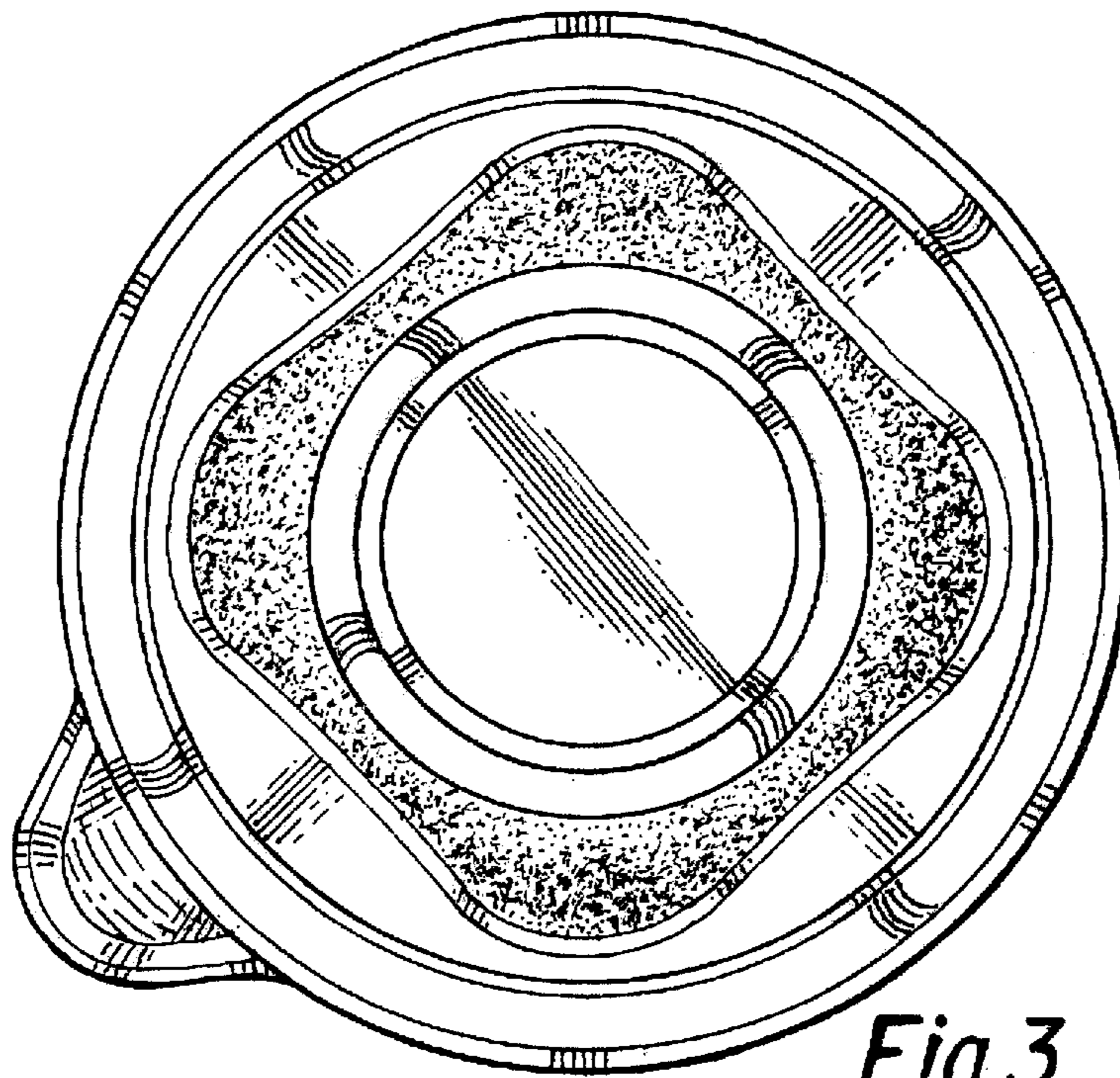




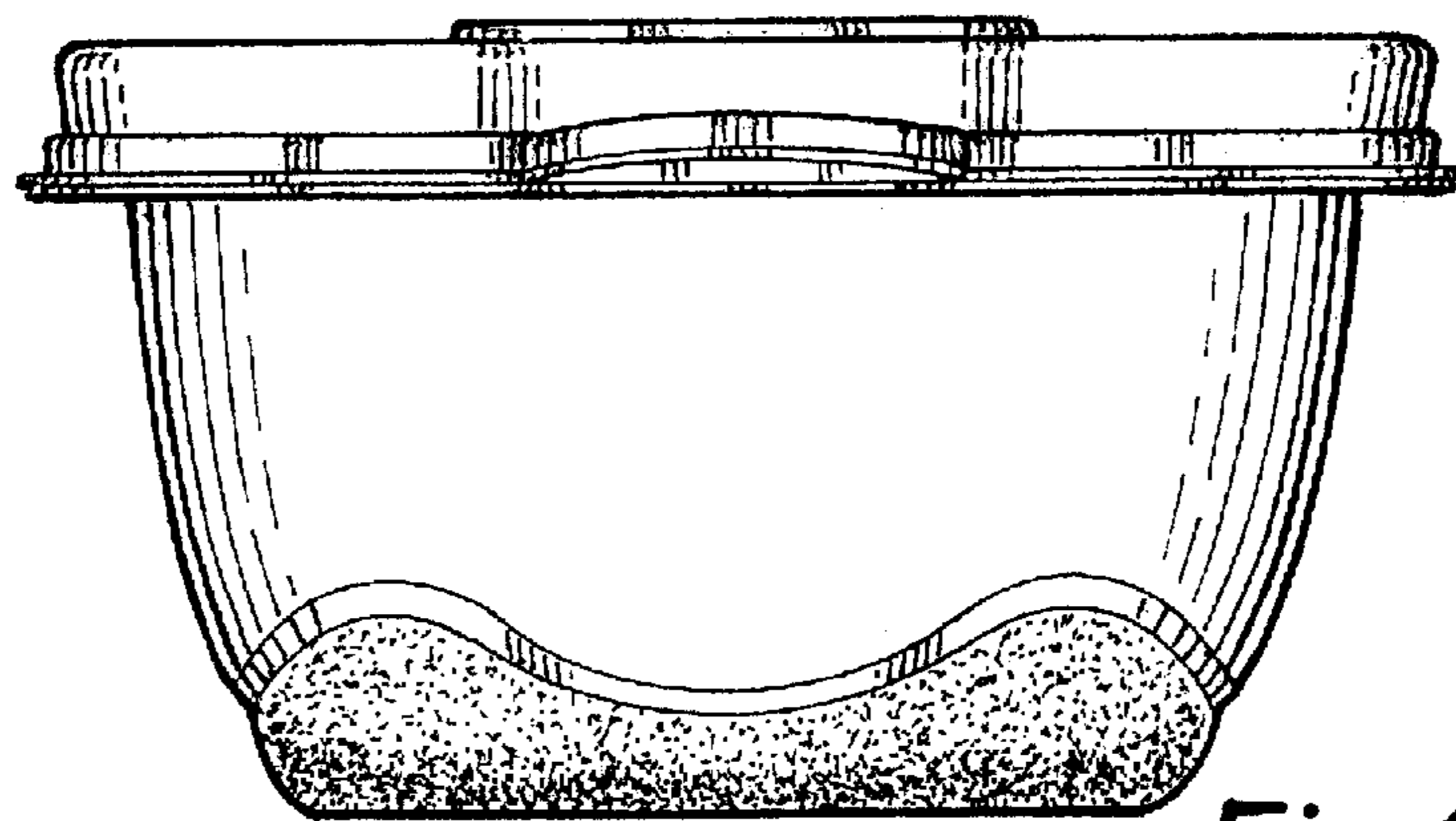
*Fig.1*



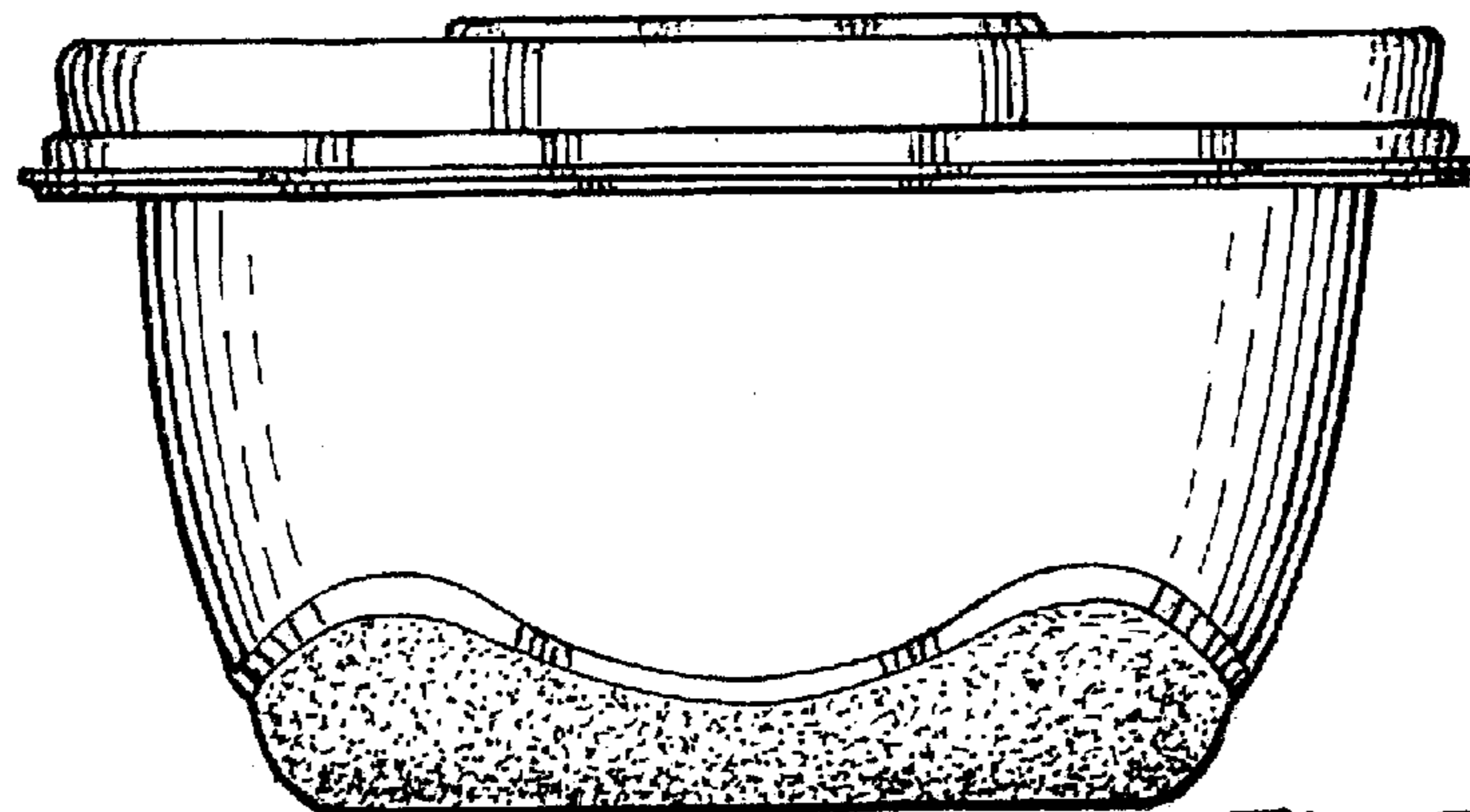
*Fig.2*



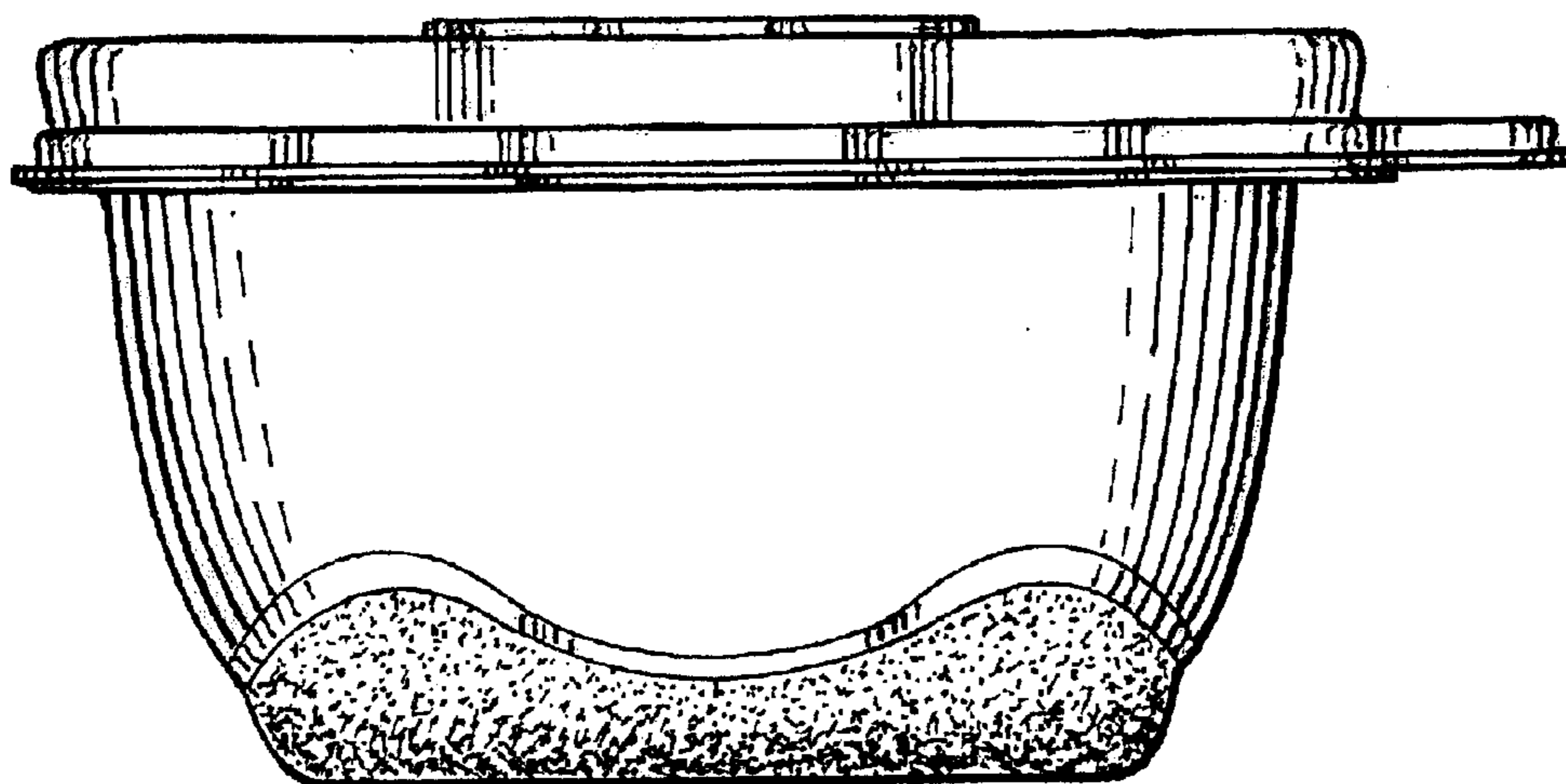
*Fig.3*



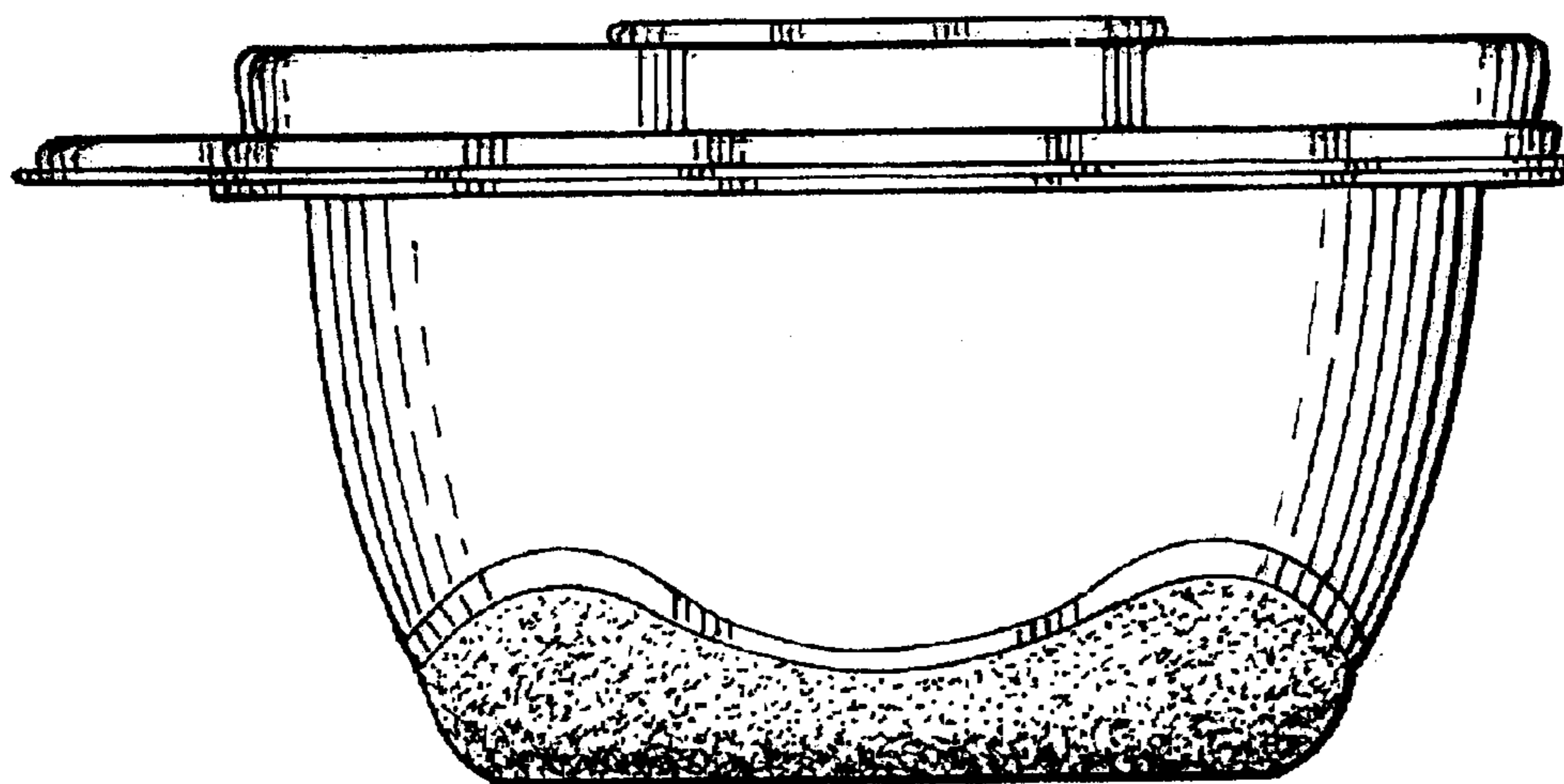
*Fig.4*



*Fig.5*



*Fig. 6*



*Fig. 7*