



US00D539096S

(12) **United States Design Patent**
Hart et al.

(10) **Patent No.:** **US D539,096 S**

(45) **Date of Patent:** **** Mar. 27, 2007**

(54) **CONTAINER FOR HOLDING FOODSTUFFS**

(75) Inventors: **Lawrence Basil Hart**, Auckland (NZ);
Timothy Paul Woods, Wellington (NZ)

(73) Assignee: **Durapod Systems Limited**, Mount
Wellington (NZ)

(**) Term: **14 Years**

(21) Appl. No.: **29/199,430**

(22) Filed: **Feb. 12, 2004**

(30) **Foreign Application Priority Data**

Aug. 14, 2003 (NZ) 403794

(51) **LOC (8) Cl.** **07-01**

(52) **U.S. Cl.** **D7/612; D6/475**

(58) **Field of Classification Search** D6/396,
D6/397, 472, 475, 476, 510; D3/273, 294;
D7/589, 612; 220/602, 810, 827, 843
See application file for complete search history.

(56) **References Cited**

U.S. PATENT DOCUMENTS

D168,287 S * 12/1952 Burgess D3/294
D280,477 S * 9/1985 Petrick, V D6/472
D304,120 S * 10/1989 Buchanan et al. D3/294

D311,799 S * 10/1990 Embree et al. D3/294
D347,554 S * 6/1994 Wingate et al. D7/612
D378,873 S * 4/1997 Gregerson et al. D3/273
D423,214 S * 4/2000 Hawkins et al. D3/294
D429,882 S * 8/2000 Lee et al. D3/294
D430,779 S * 9/2000 Saunders D7/612
D441,530 S * 5/2001 Elmore D6/510
D472,071 S * 3/2003 Peota D6/475

* cited by examiner

Primary Examiner—Cathron C. Brooks

(74) *Attorney, Agent, or Firm*—Medlen & Carroll LLP

(57) **CLAIM**

We claim the ornamental design for a container for holding foodstuffs, substantially as shown.

DESCRIPTION

FIG. 1 is a first perspective view of the container for holding foodstuffs, showing its new design;
FIG. 2 is a second perspective view thereof;
FIG. 3 is a top view thereof;
FIG. 4 is a rear view thereof;
FIG. 5 is a side view thereof;
FIG. 6 is a front view thereof; and,
FIG. 7 is an opposite side view thereof.

1 Claim, 3 Drawing Sheets

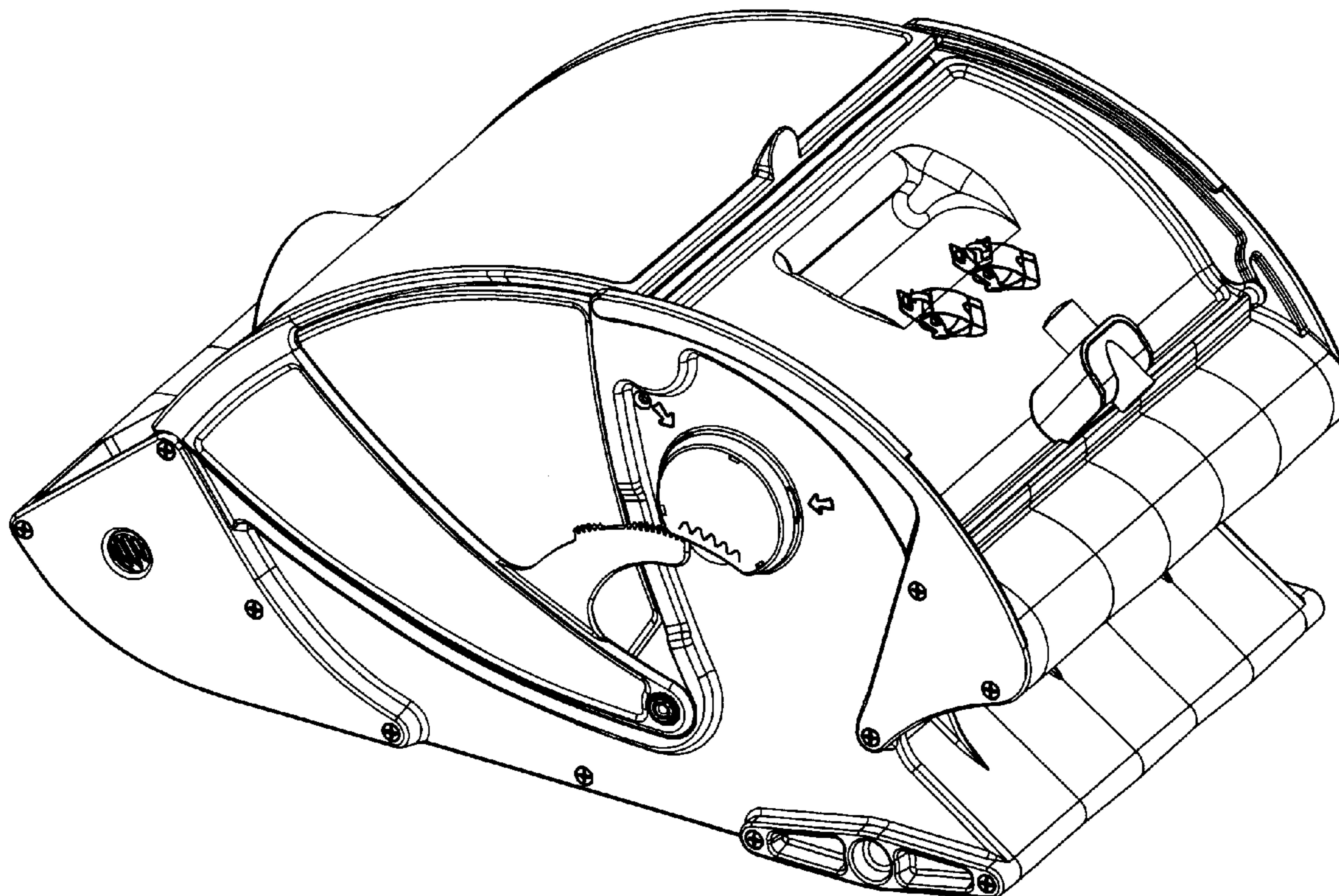


Fig. 1

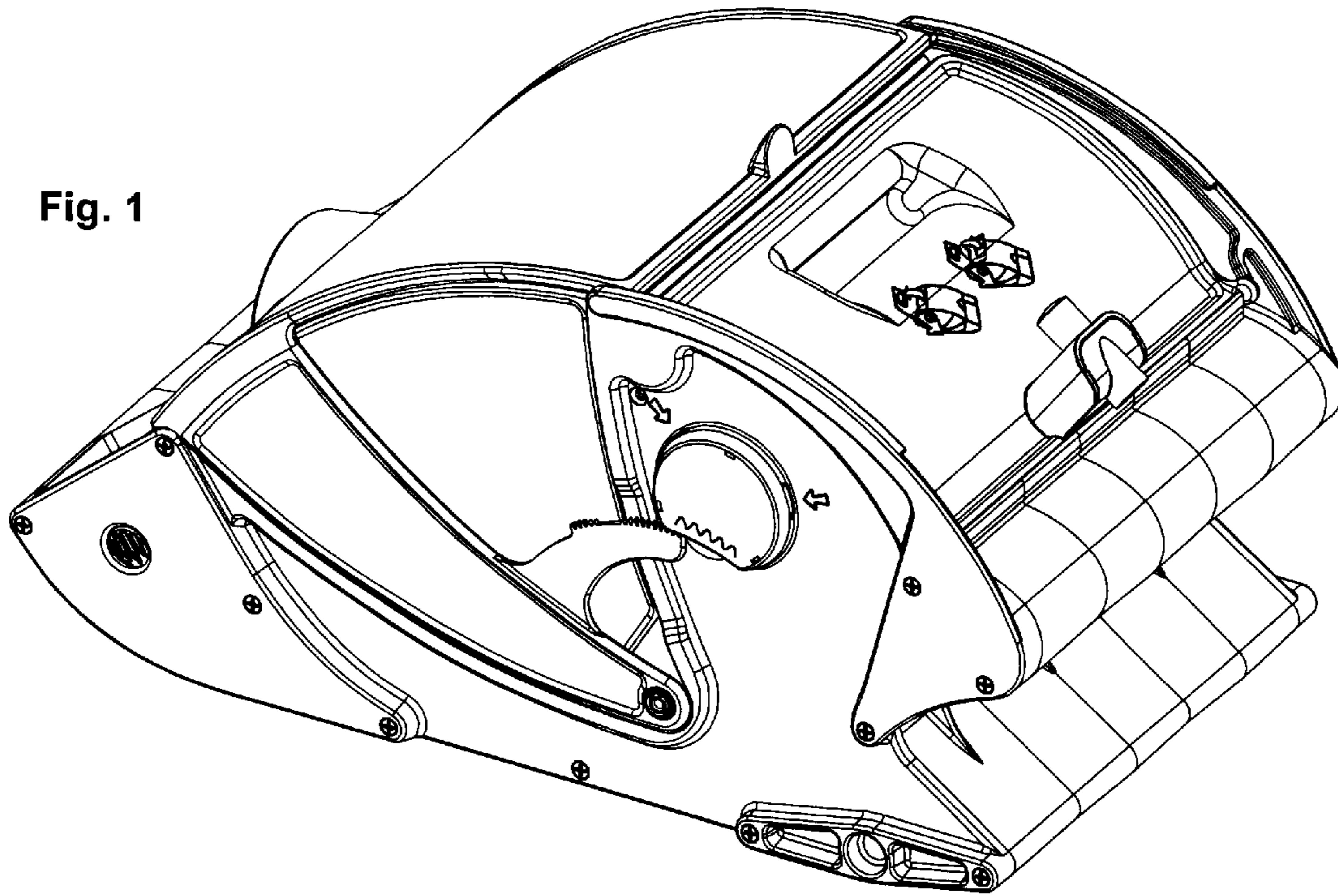


Fig. 2

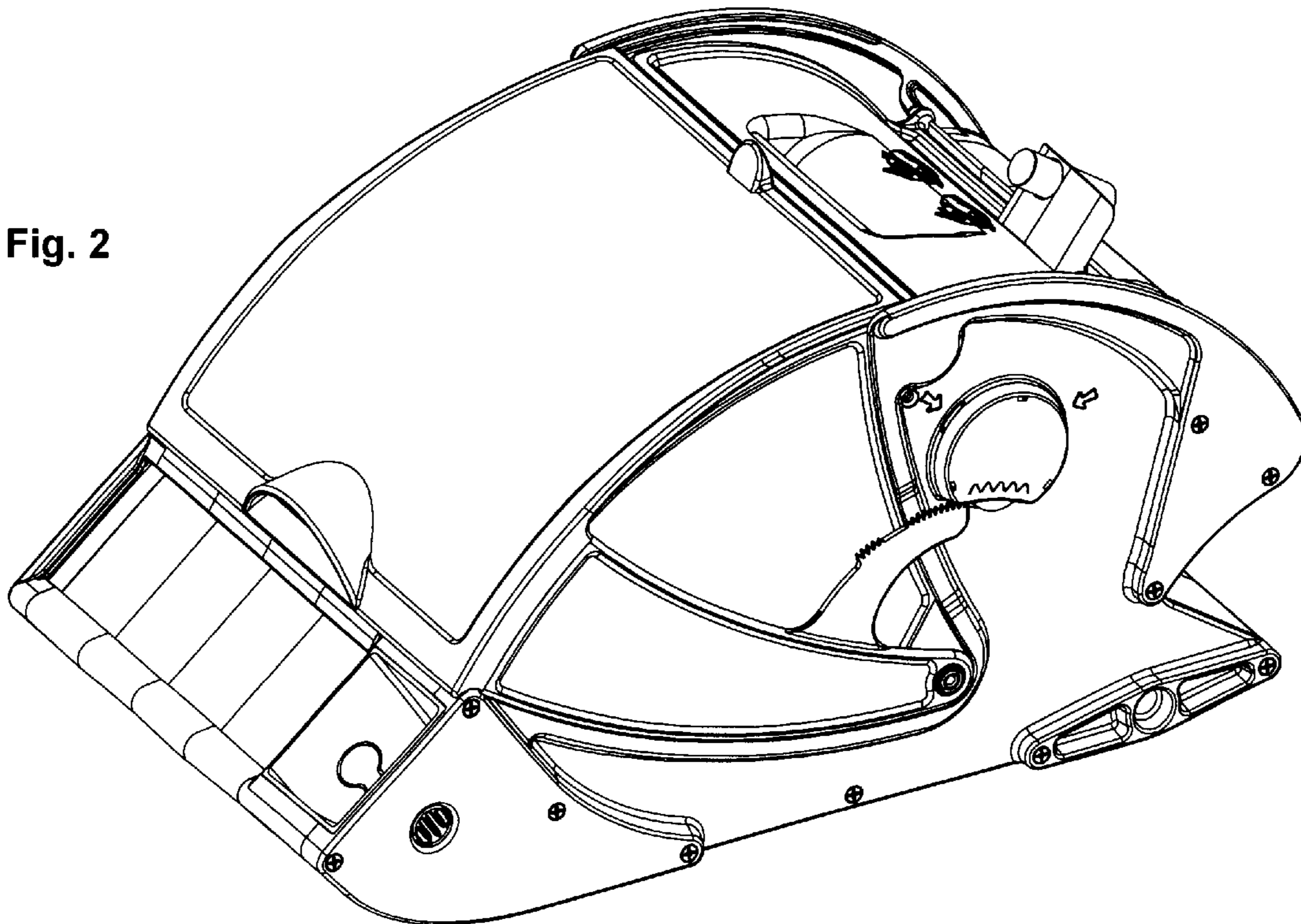


Fig. 3

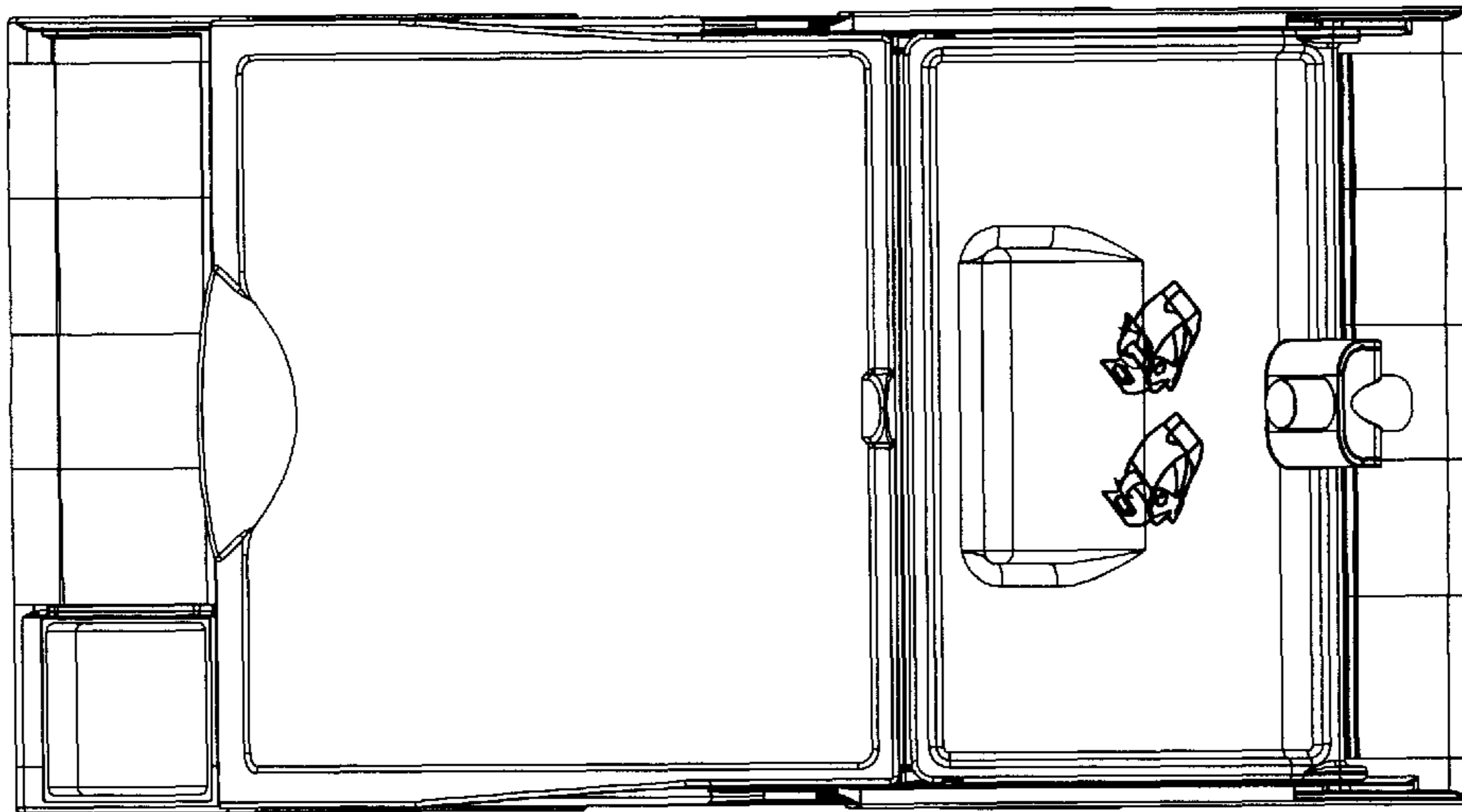


Fig. 4

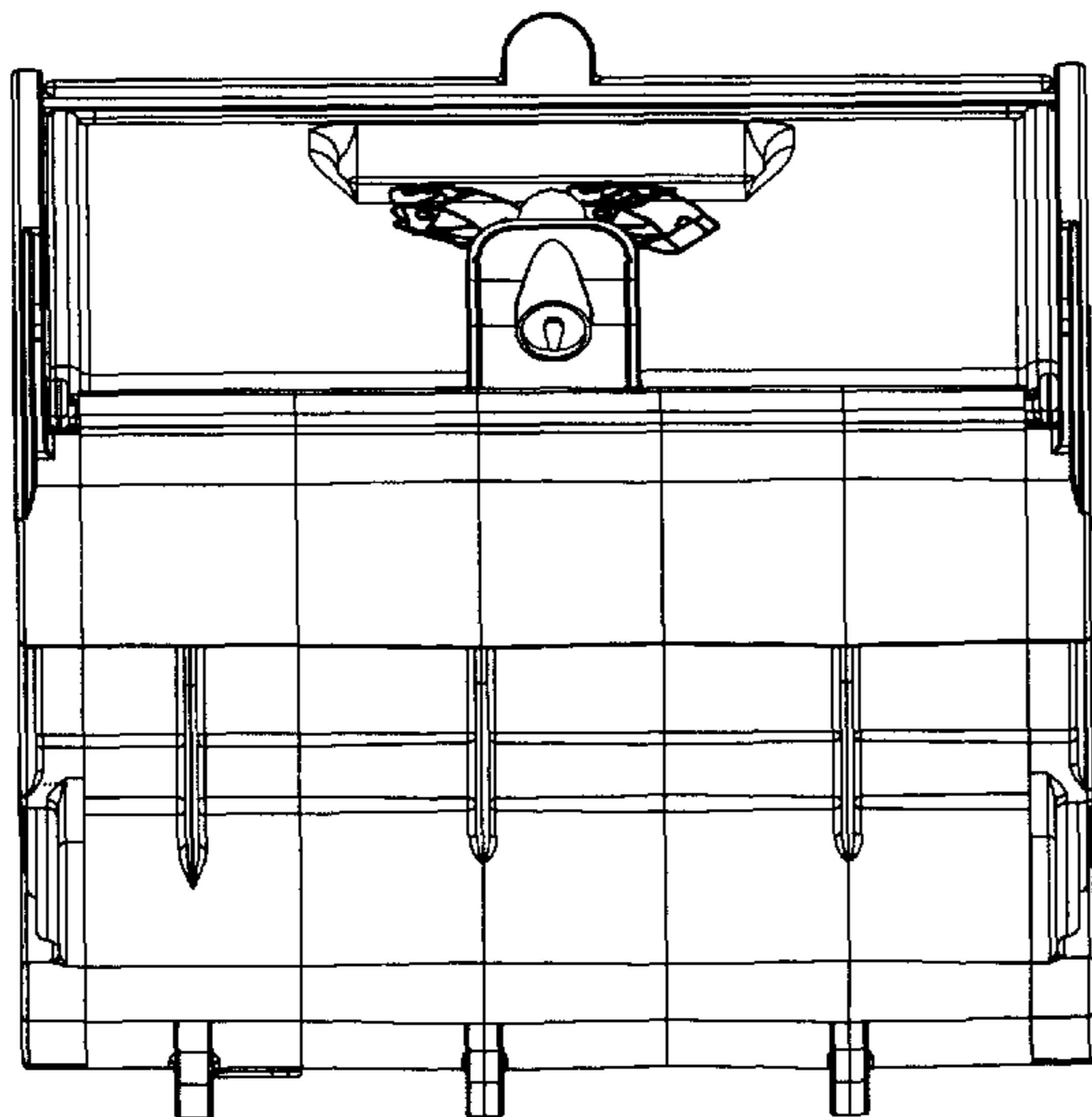


Fig. 6

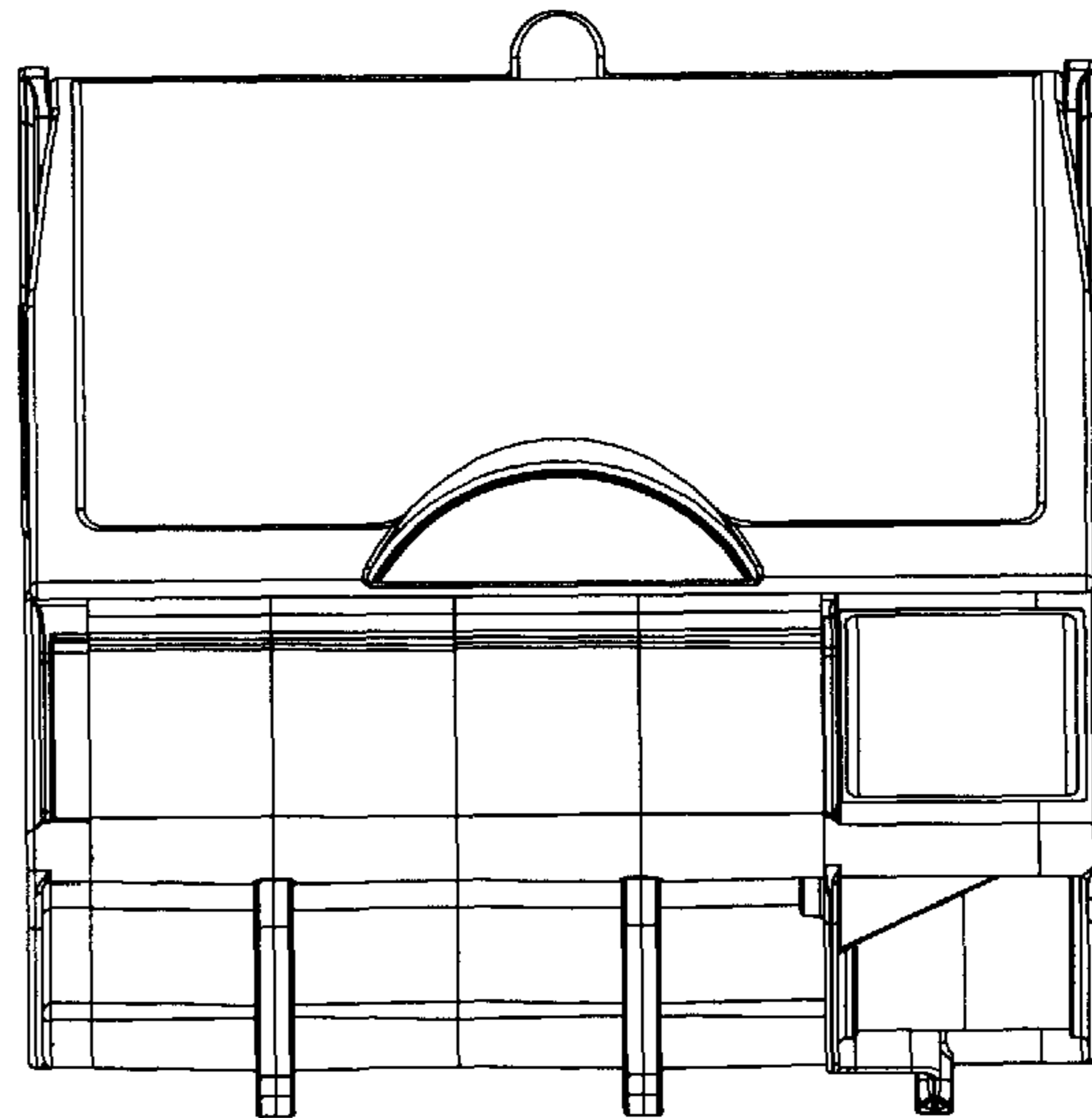


Fig. 5

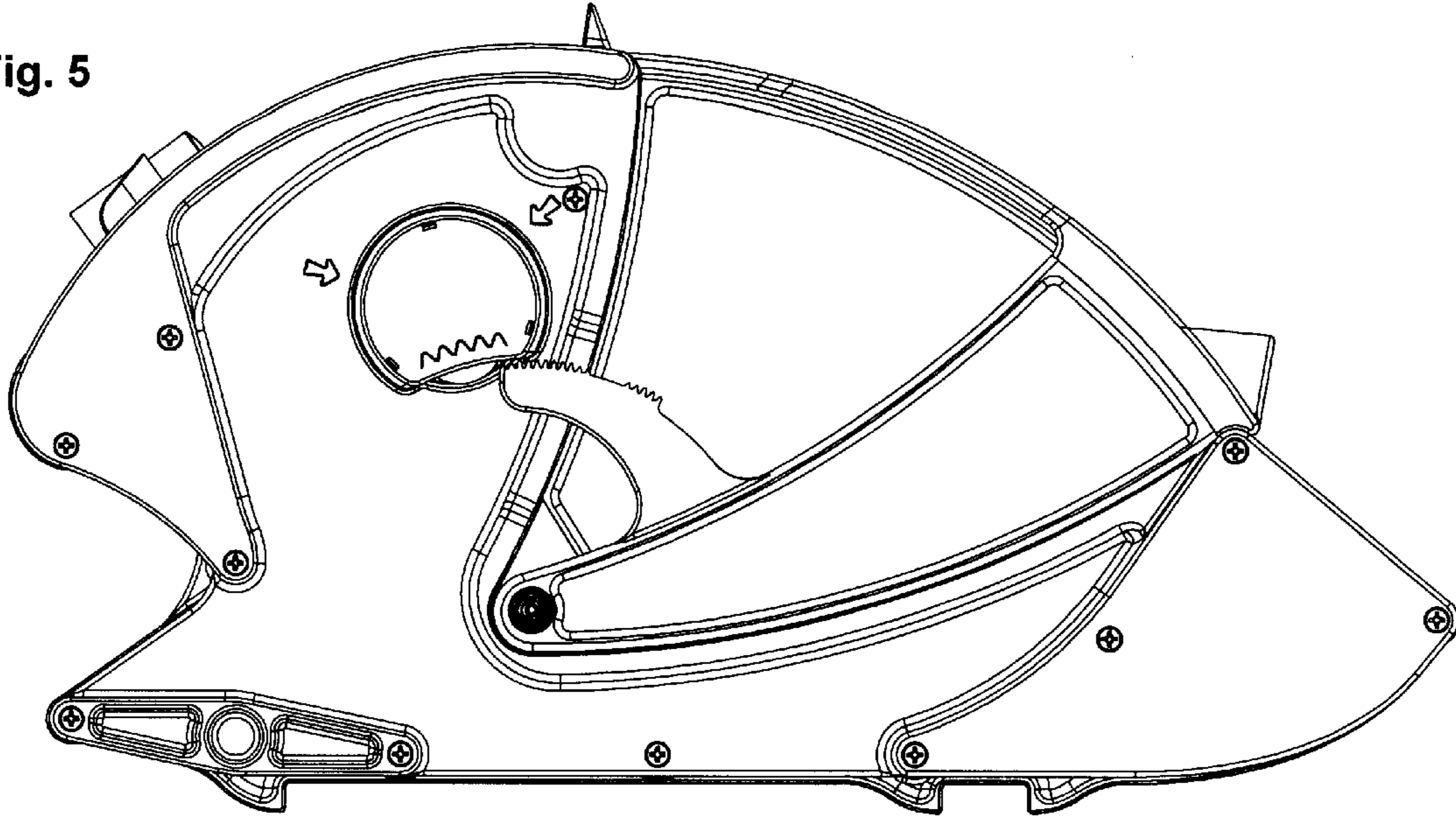
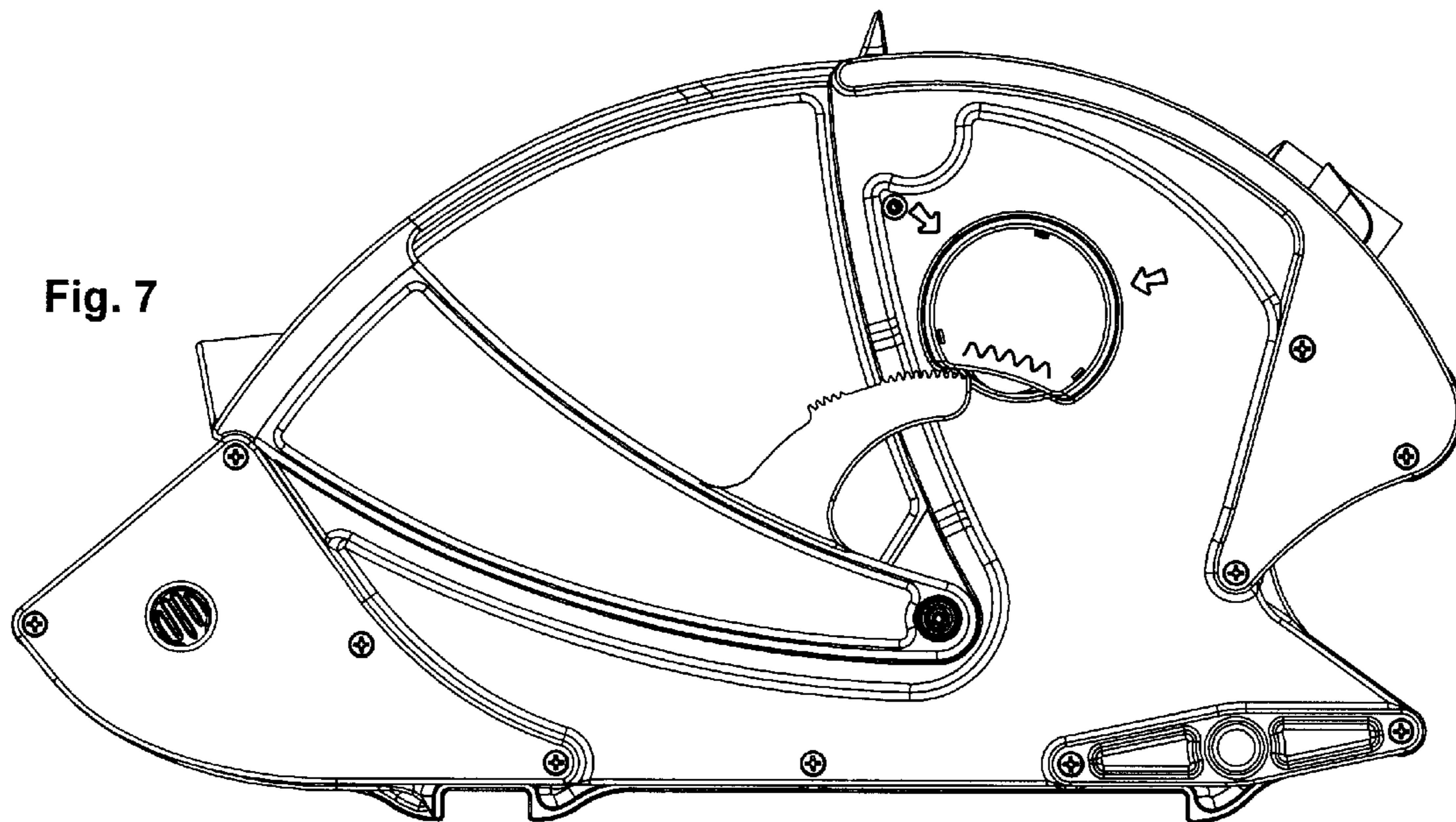


Fig. 7



UNITED STATES PATENT AND TRADEMARK OFFICE
CERTIFICATE OF CORRECTION

PATENT NO. : Des. 539,096 S
APPLICATION NO. : 29/199430
DATED : March 27, 2007
INVENTOR(S) : Lawrence Basil Hart et al.

Page 1 of 1

It is certified that error appears in the above-identified patent and that said Letters Patent is hereby corrected as shown below:

Title Page Item (73) Assignee, please replace "Durapod Systems Limited" with --Durapod System Limited--.

Signed and Sealed this

Sixth Day of November, 2007

A handwritten signature in black ink on a light gray dotted background. The signature reads "Jon W. Dudas" in a cursive style.

JON W. DUDAS

Director of the United States Patent and Trademark Office