



US00D539092S

(12) **United States Design Patent**  
**Norris et al.**

(10) **Patent No.:** **US D539,092 S**  
(45) **Date of Patent:** **\*\* Mar. 27, 2007**

(54) **BEVERAGEWARE**  
(75) Inventors: **Daniel A. Norris**, Williamsville, NY  
(US); **Ron Lapsker**, Maple (CA)  
(73) Assignee: **Prosoft International, Inc.**, Bridgetown  
(BB)  
(\*\*) Term: **14 Years**  
(21) Appl. No.: **29/222,185**  
(22) Filed: **Jan. 26, 2005**  
(51) **LOC (8) Cl.** ..... **07-01**  
(52) **U.S. Cl.** ..... **D7/531; D7/523; D7/536**  
(58) **Field of Classification Search** ..... D7/509,  
D7/510, 511, 532, 531, 523, 533, 536, 624.1;  
220/705, 703, 737, 713, 715, 719, 293, 23.83,  
220/23.84; 206/519, 520; D9/520; 215/388,  
215/387  
See application file for complete search history.

D475,578 S \* 6/2003 Hurlbut et al. .... D7/533  
D479,095 S \* 9/2003 Webb ..... D7/531  
D479,669 S \* 9/2003 Norris et al. .... D7/532  
D479,670 S \* 9/2003 Webb ..... D7/532  
D482,933 S \* 12/2003 Norris et al. .... D7/533  
D485,123 S \* 1/2004 Gullickson et al. .... D7/510  
D491,021 S \* 6/2004 Webb ..... D7/531  
D494,011 S \* 8/2004 Janky et al. .... D7/533  
D494,418 S \* 8/2004 Bodum ..... D7/533  
D503,072 S \* 3/2005 Norris et al. .... D7/532  
D503,074 S \* 3/2005 Norris et al. .... D7/532  
D506,643 S \* 6/2005 Norris et al. .... D7/536  
D507,152 S \* 7/2005 Trombly ..... D7/536  
D518,333 S \* 4/2006 Gluck ..... D7/523  
D521,803 S \* 5/2006 Bieger ..... D7/396.4  
D529,763 S \* 10/2006 Zerillo et al. .... D7/533

\* cited by examiner

*Primary Examiner*—M. N. Pandozzi  
(74) *Attorney, Agent, or Firm*—Hodgson Russ LLP

(57) **CLAIM**

The ornamental design for beverageware, as shown and described.

(56) **References Cited**

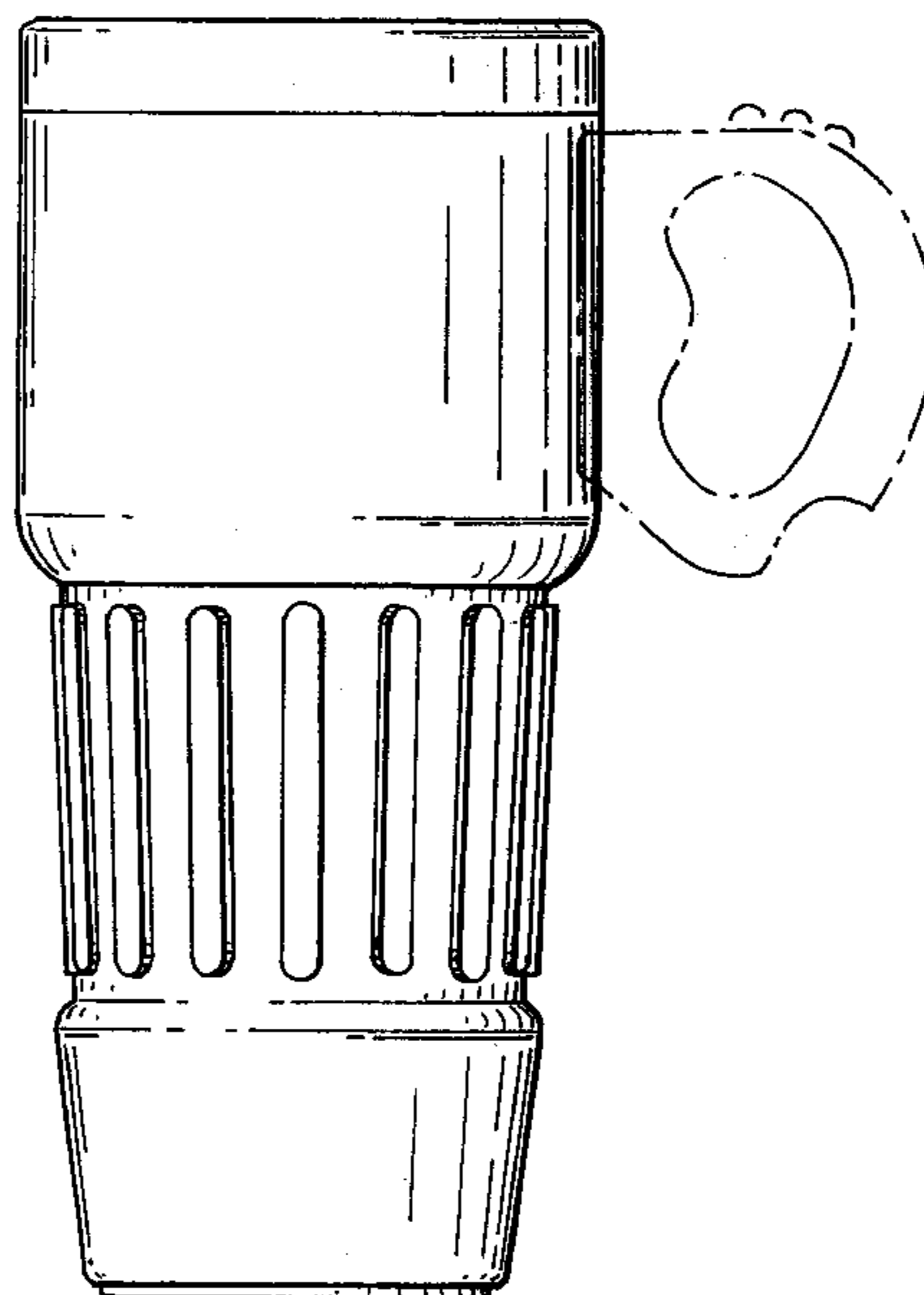
**U.S. PATENT DOCUMENTS**

D114,568 S \* 5/1939 Viatour ..... D7/523  
D118,725 S \* 1/1940 Myers ..... D7/531  
D202,119 S \* 8/1965 Shelby ..... D7/531  
D241,801 S \* 10/1976 Colato ..... D7/531  
D264,537 S \* 5/1982 Myodo ..... D7/536  
D266,550 S \* 10/1982 Myodo ..... D7/536  
D369,063 S \* 4/1996 Meisner ..... D7/533  
D421,364 S \* 3/2000 Kristiansen et al. .... D7/531  
D437,185 S \* 2/2001 Freed ..... D7/510  
D438,757 S \* 3/2001 Joergensen ..... D7/510  
D460,324 S \* 7/2002 Norris et al. .... D7/533  
D464,849 S \* 10/2002 Norris et al. .... D7/523  
D468,588 S \* 1/2003 Norris et al. .... D7/532  
D472,100 S \* 3/2003 Gullickson et al. .... D7/510

**DESCRIPTION**

FIG. 1 is a perspective view of beverageware showing our new design;  
FIG. 2 is a right-hand side elevational view thereof, the left-hand side view thereof being a mirror image of the side shown;  
FIG. 3 is a front elevational view thereof;  
FIG. 4 is a rear elevational view thereof;  
FIG. 5 is a top plan view thereof; and,  
FIG. 6 is a bottom plan view thereof.  
The broken lines in the drawings are for illustrative purposes only and form no part of the claimed design.

**1 Claim, 2 Drawing Sheets**



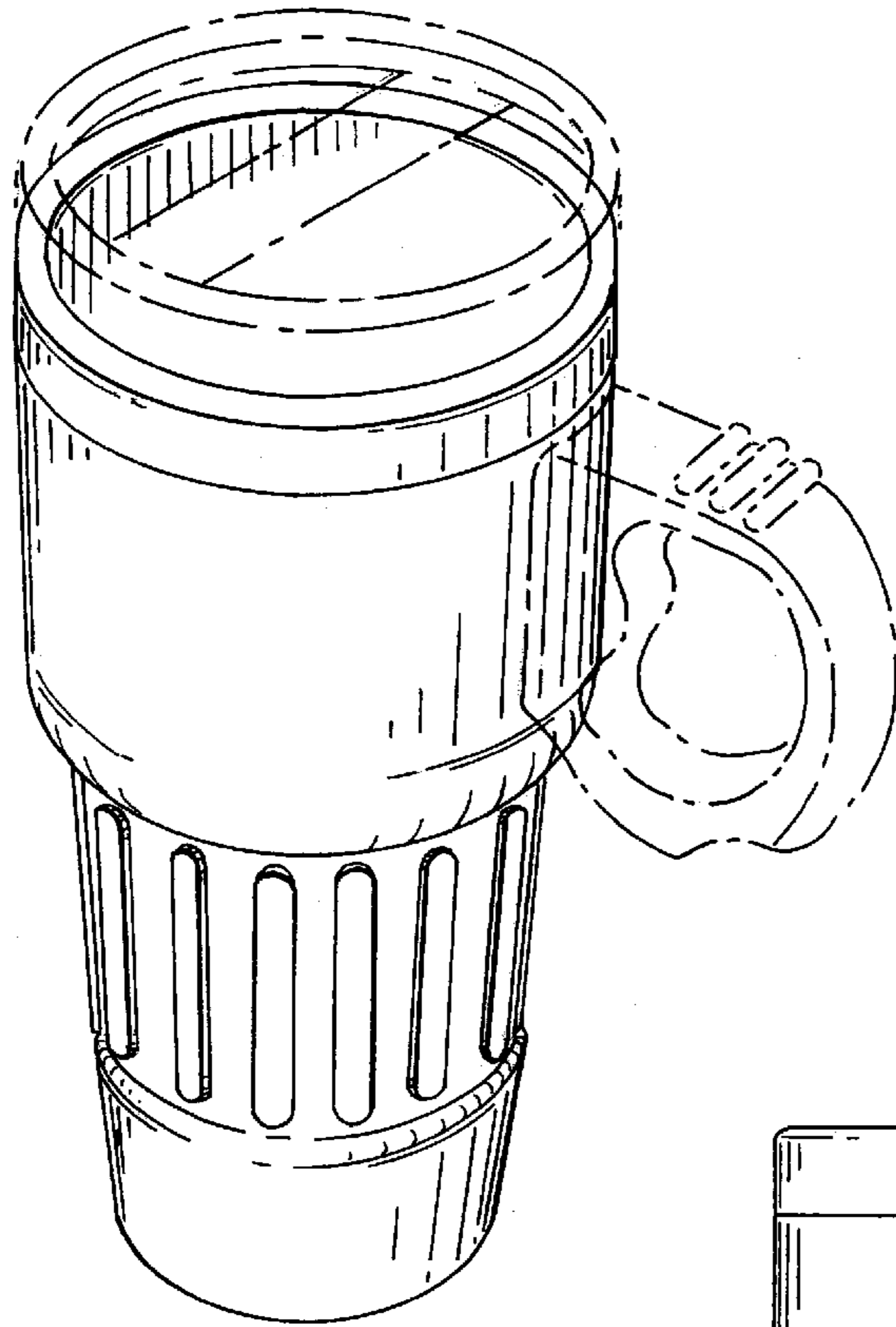


FIG. 1

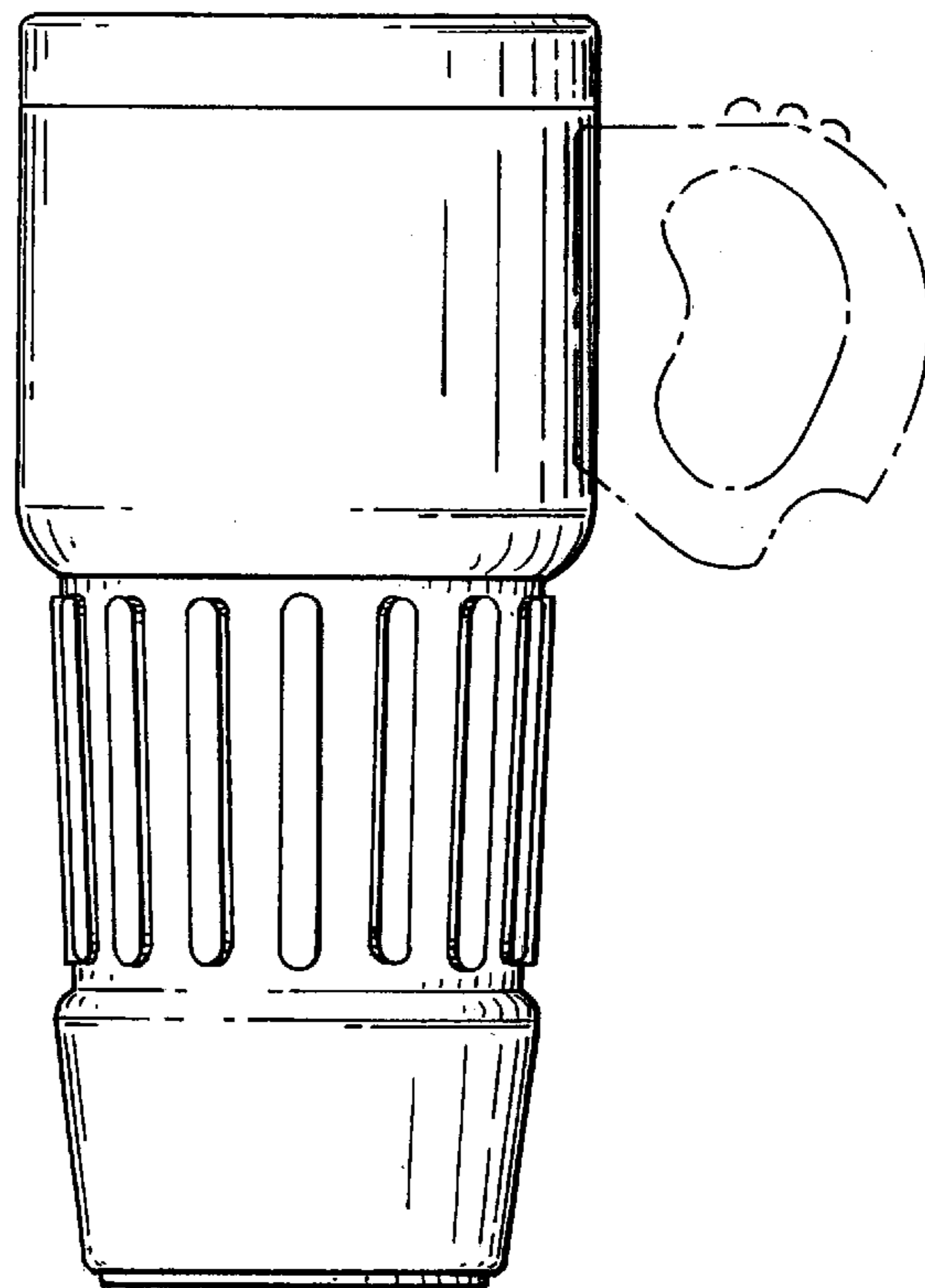


FIG. 2

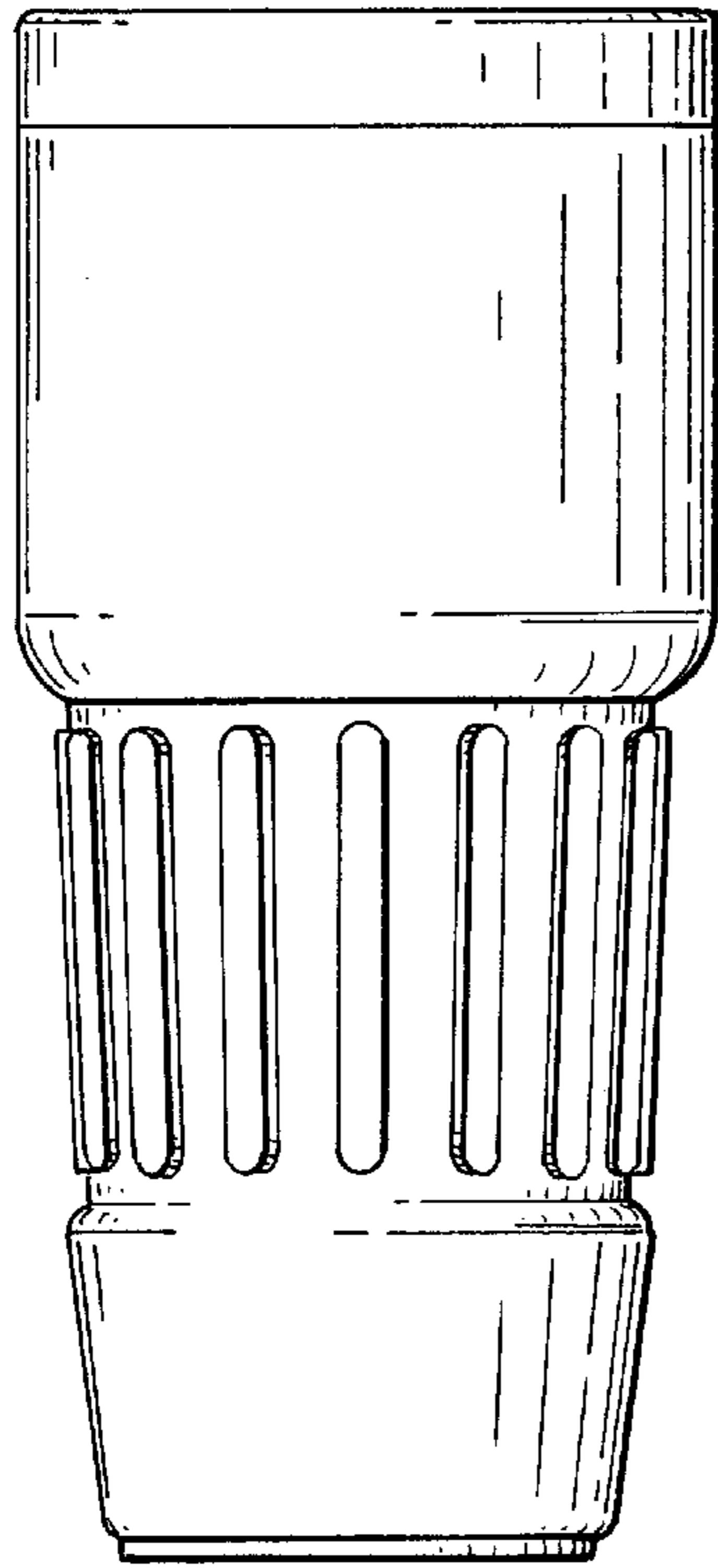


FIG. 3

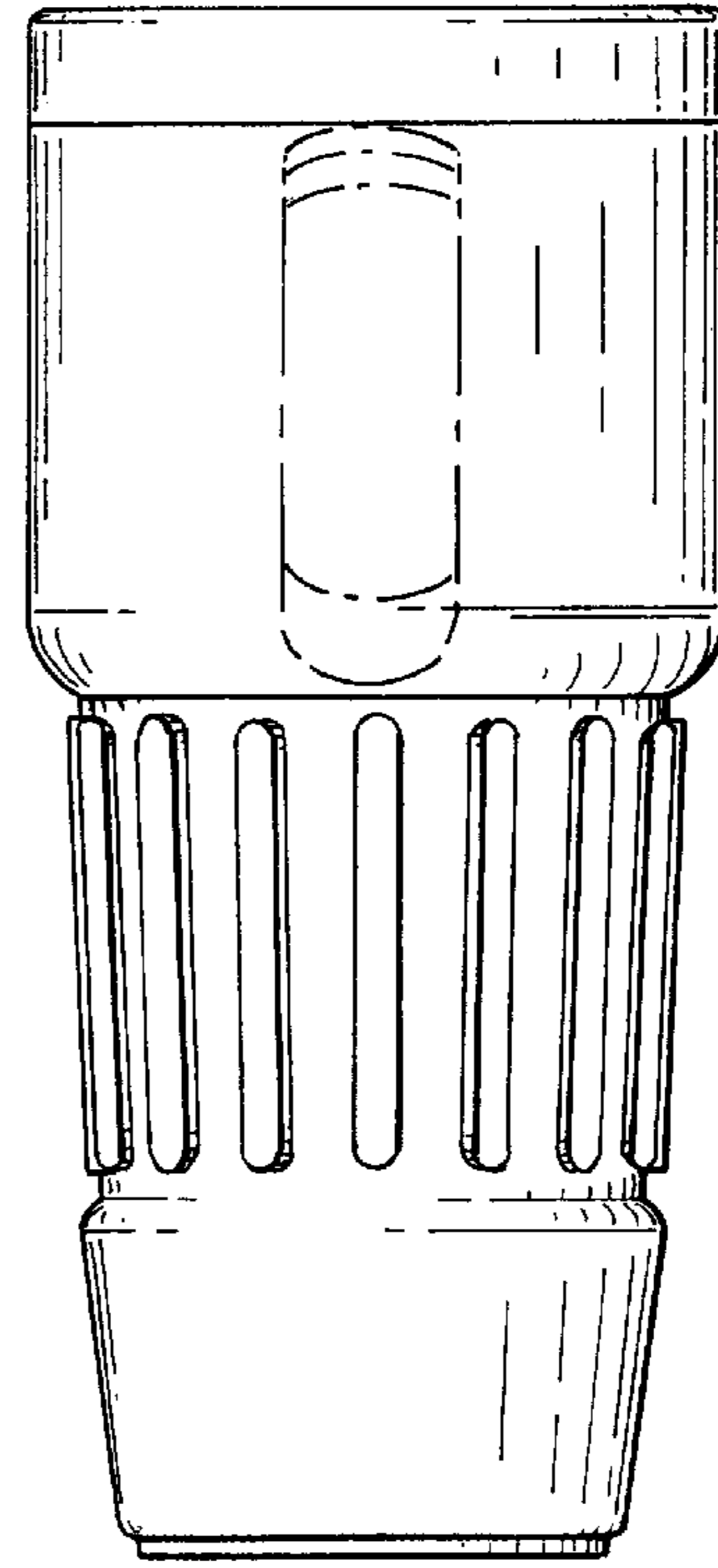


FIG. 4

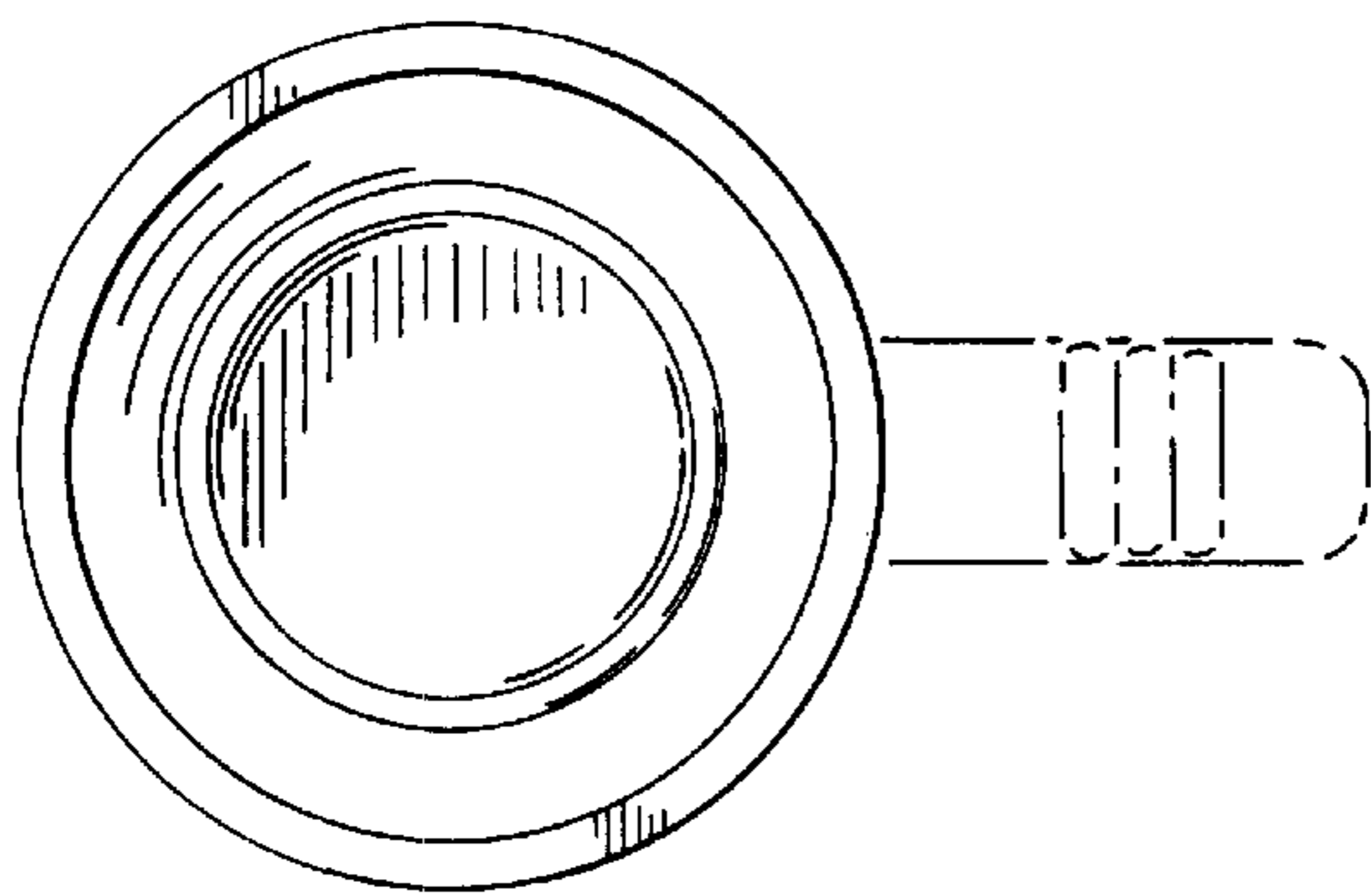


FIG. 5

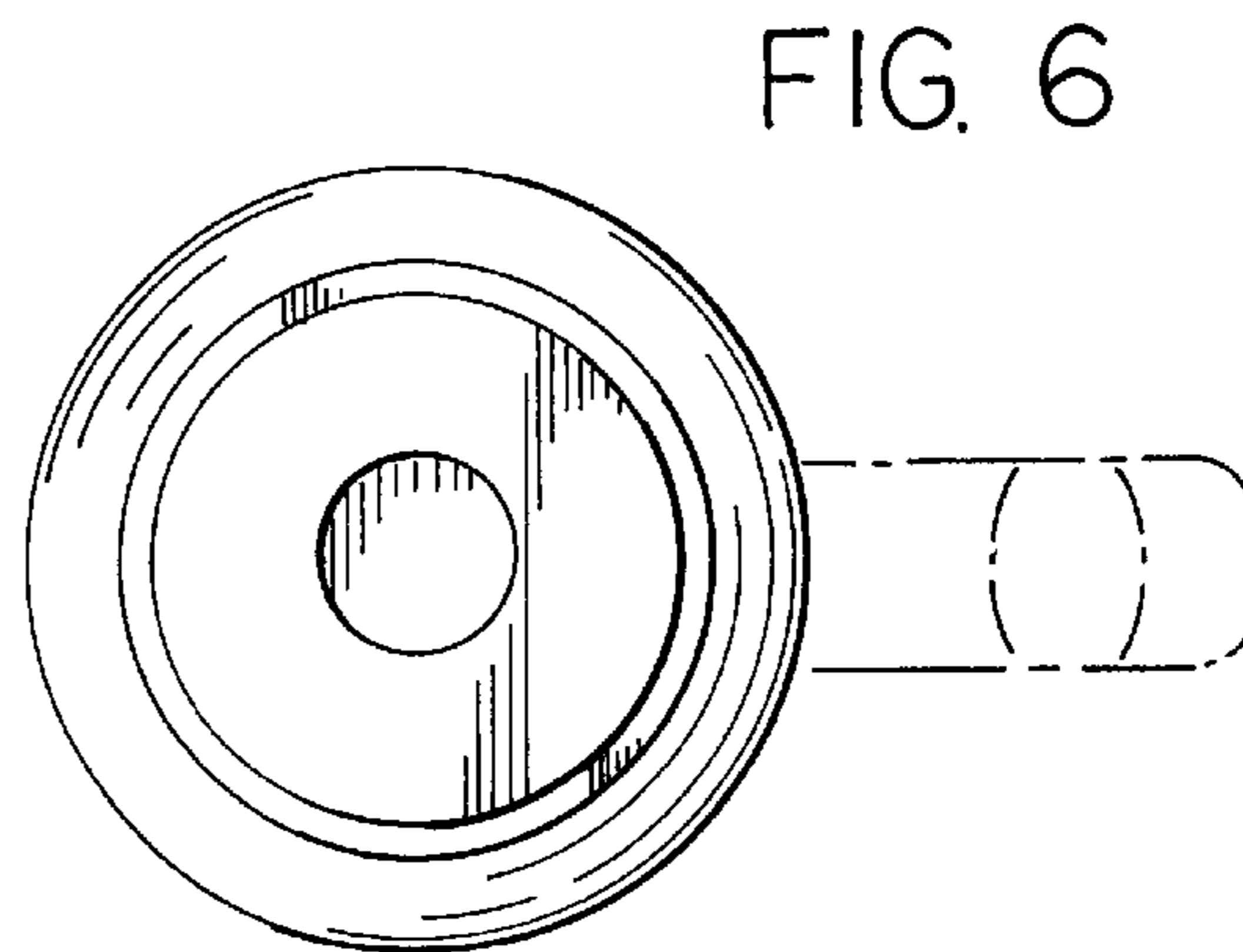


FIG. 6