



US00D539091S

(12) **United States Design Patent**  
**Mansfield**

(10) **Patent No.:** **US D539,091 S**

(45) **Date of Patent:** **\*\* Mar. 27, 2007**

(54) **DRINKING CUP**

(75) Inventor: **Bryan D. Mansfield**, Myakka City, FL (US)

(73) Assignee: **Hurricane Shooters, LLC**, Bradenton, FL (US)

(\*\*) Term: **14 Years**

(21) Appl. No.: **29/244,075**

(22) Filed: **Dec. 5, 2005**

**Related U.S. Application Data**

(63) Continuation-in-part of application No. 11/255,572, filed on Oct. 21, 2005.

(51) **LOC (8) Cl.** ..... **07-01**

(52) **U.S. Cl.** ..... **D7/513; D7/509; D7/523**

(58) **Field of Classification Search** ..... D7/507, D7/509, 503, 523, 513, 555, 557; D11/144; 215/12.1; 220/575, 573.2, 573.1, 662, 676, 220/DIG. 13, 506, 231, 719, 675, 707, 705, 220/737, 703, 704; 206/118, 103, 519, 520, 206/217; 229/409, 400, 103.1; 249/66.1, 249/11.5

See application file for complete search history.

(56) **References Cited**

**U.S. PATENT DOCUMENTS**

962,641 A 6/1910 Kaufman  
1,168,027 A 1/1916 Nirdlinger  
1,476,910 A \* 12/1923 Naugle ..... 249/122

1,832,585 A \* 11/1931 Sample ..... 206/103  
D101,721 S 4/1936 Spinelli  
D99,531 S \* 5/1936 Sterling ..... D7/513

(Continued)

**OTHER PUBLICATIONS**

Hurricane Shooters, LLC, Nightclub & Bar Magazine, Mar. 2005, p. 84, Available to the public about Feb. 10, 2005. Exhibited at show Mar. 1, 2005.

Bombshell Datasheet [online] Bombshell [retrieved on Nov. 16, 2005], Retrieved from the Internet: <URL: http://bombshells.info/advantages.html> 3 pages, Domain registered Feb. 25, 2005.

(Continued)

*Primary Examiner*—M. N. Pandozzi

(74) *Attorney, Agent, or Firm*—Mark Douma

(57) **CLAIM**

I claim the ornamental design for a drinking cup, as shown and described.

**DESCRIPTION**

FIG. 1 is a top and side perspective view of a drinking cup showing my new design;

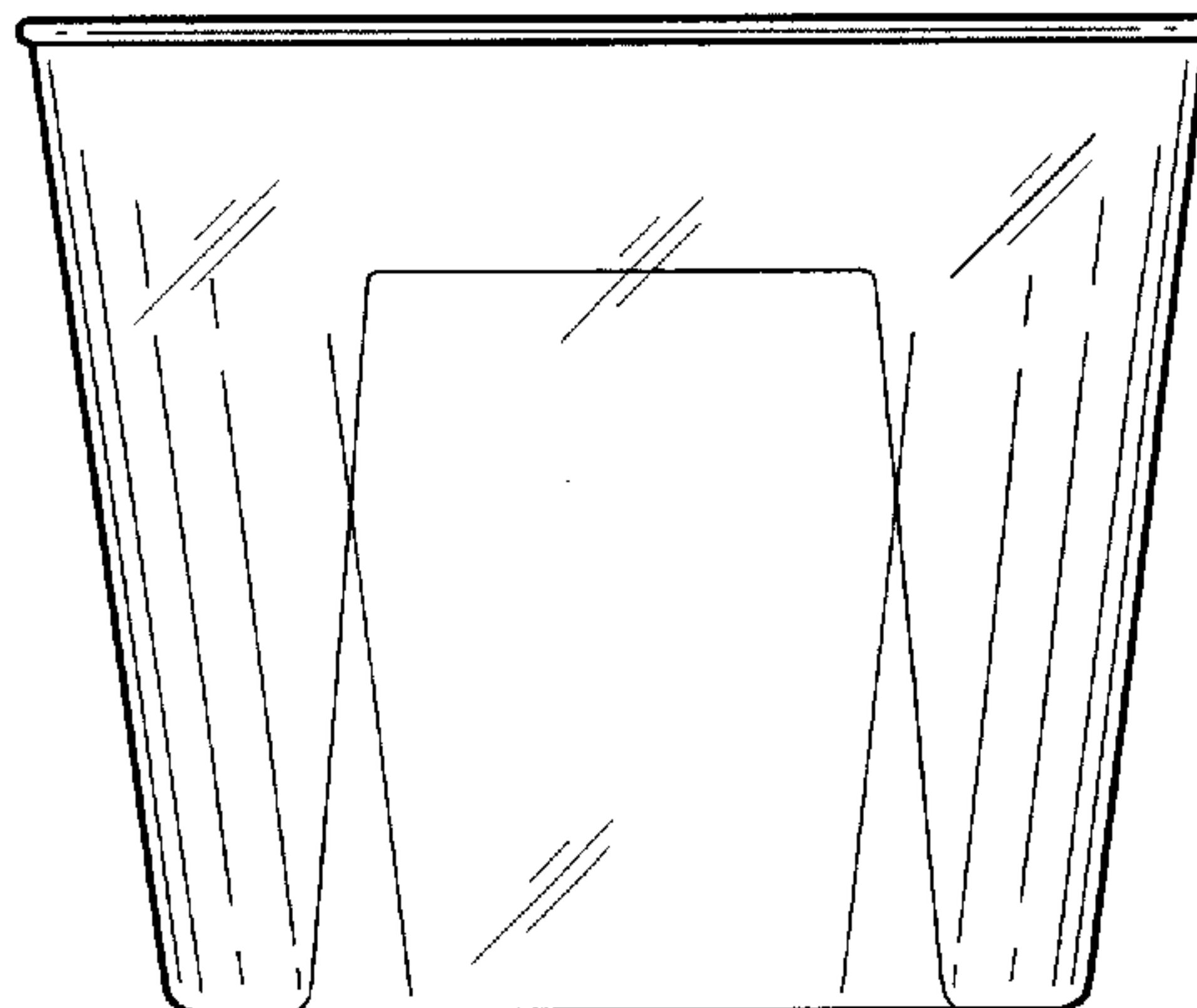
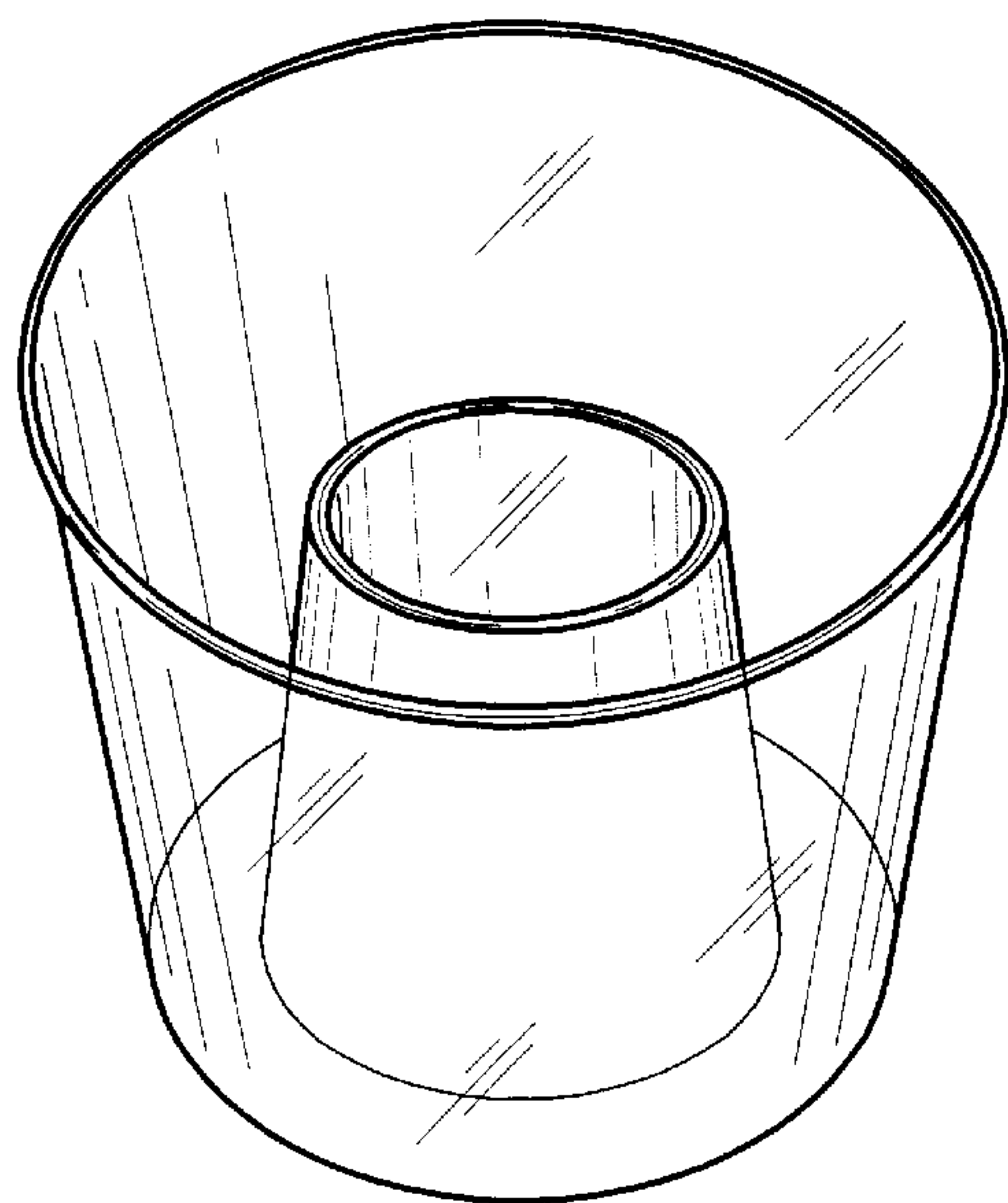
FIG. 2 is a front side elevation view thereof, the back side elevation view being the same;

FIG. 3 is a right side elevation view thereof, the left side elevation view being the same;

FIG. 4 is a top view thereof; and,

FIG. 5 is a bottom view thereof.

**1 Claim, 3 Drawing Sheets**



U.S. PATENT DOCUMENTS

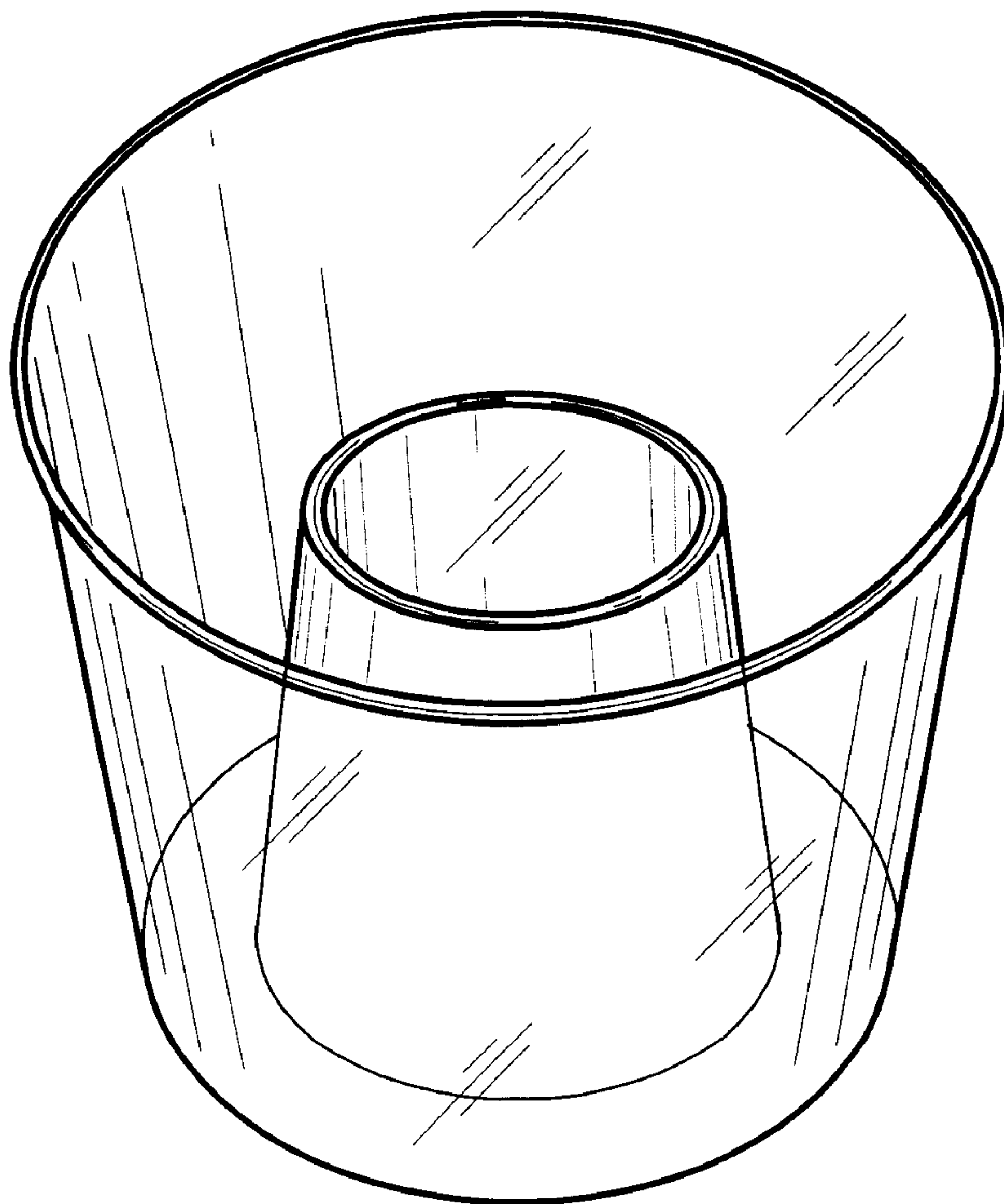
2,288,044 A 6/1942 Stemme  
 2,493,633 A 1/1950 Mart  
 D167,667 S 9/1952 Babany  
 3,379,338 A 4/1968 Marks  
 3,603,485 A 9/1971 Vivier  
 D222,375 S 10/1971 Bencik  
 3,674,512 A 7/1972 Andros  
 3,784,052 A 1/1974 Edwards  
 3,804,281 A 4/1974 Eckdahl  
 3,971,471 A 7/1976 Ludder  
 4,395,015 A \* 7/1983 Reardon ..... 249/115  
 4,410,085 A 10/1983 Beneziat  
 D287,885 S 1/1987 Bolduc  
 D291,620 S 9/1987 Porchia  
 D304,514 S \* 11/1989 Vezirian et al. .... D7/507  
 4,919,295 A 4/1990 Hitzler  
 D310,941 S \* 10/1990 Carty ..... D28/44.1  
 5,215,214 A \* 6/1993 Lev et al. .... 222/1  
 D343,990 S 2/1994 Maraan, II  
 D356,978 S 4/1995 Rahr  
 5,405,030 A 4/1995 Frazier  
 D363,854 S 11/1995 Katz  
 D369,518 S 5/1996 Wilson  
 D376,071 S 12/1996 Ballin  
 D384,246 S 9/1997 McKnight  
 D397,915 S 9/1998 McNaughton  
 D400,398 S 11/1998 McNaughton  
 D416,443 S 11/1999 Kilpatrick  
 6,138,862 A 10/2000 Tai  
 D459,946 S 7/2002 Willat  
 6,421,890 B1 \* 7/2002 Biggar ..... 27/1  
 6,502,712 B1 1/2003 Weber-Unger  
 6,571,977 B2 6/2003 Goncalez  
 D480,601 S 10/2003 Pettaweebuncha  
 6,644,846 B2 11/2003 Willat  
 D484,361 S 12/2003 Jeung  
 6,814,990 B2 11/2004 Zeng  
 D505,297 S 5/2005 Poeting  
 D508,372 S 8/2005 Martinez-Lopez  
 D510,234 S 10/2005 Schuler

2002/0153344 A1 10/2002 Pola  
 2006/0021986 A1 2/2006 Mansfield

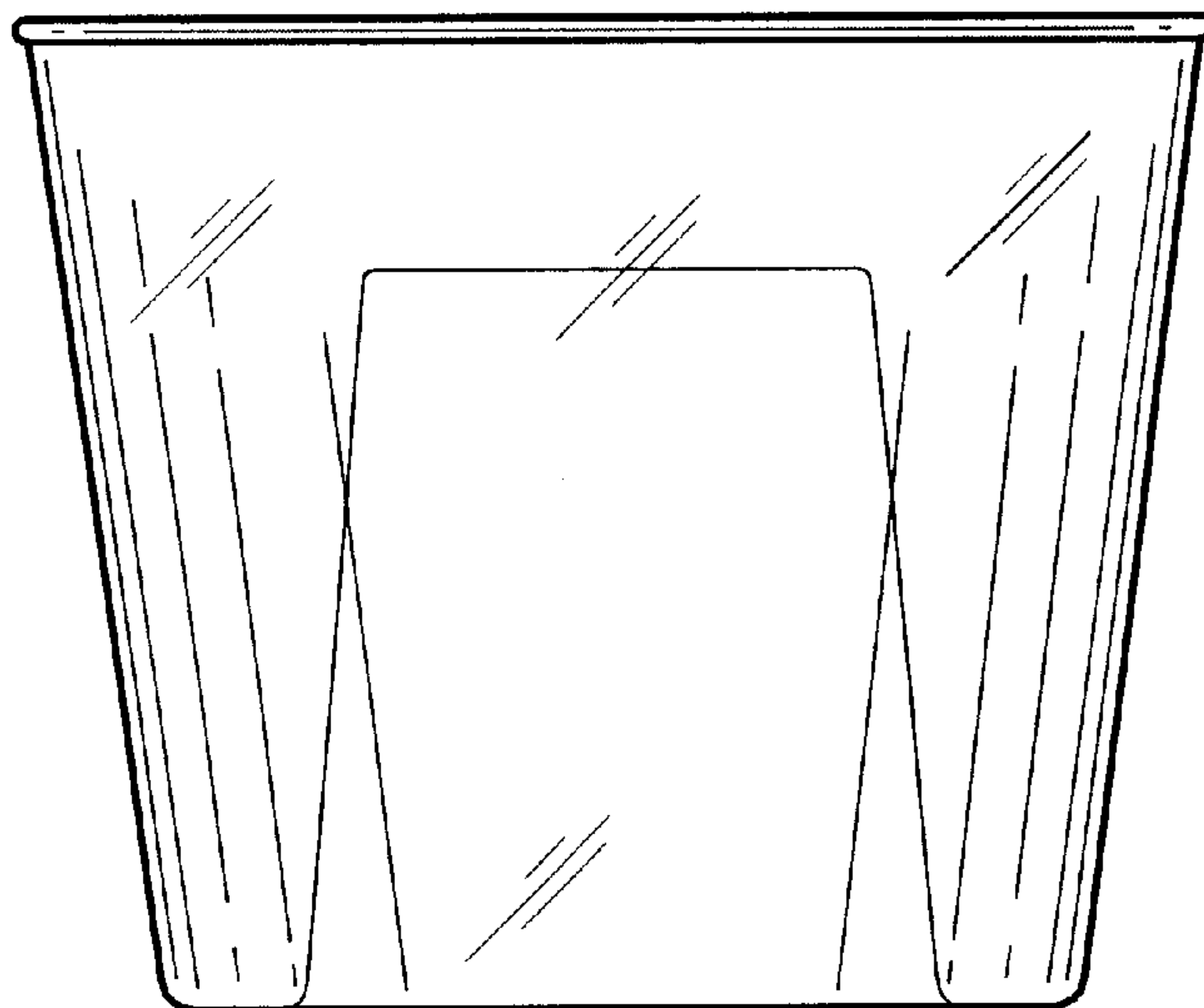
OTHER PUBLICATIONS

Shot Glass Double Barrel Datasheet [online] Lingo, Inc. [Retrieved on Nov. 16, 2005], Retrieved from the Internet: <URL www.tooters.net>, 1 page, Domain registered May 13, 1998.  
 Disposabomb Datasheet [online] By George, LLC [retrieved on Nov. 16, 2005], Retrieved from the Internet: <URL http://www.disposabomb.com/home.htm> 1 page, Domain registered May 13, 2005.  
 Bomber Datasheet [online] Hurricane Shooters, LLC [Retrieved on Nov. 22, 2005], Retrieved from the Internet: <URL www.hurricanshooters.com/products.php> 1 page, Domain registered Nov. 24, 2004.  
 Mansfield, Shot Glass, U.S. Appl. No. 29,241,046, filed Oct. 21, 2005.  
 Mansfield, Shot Glass, U.S. Appl. No. 29/241,047, filed Oct. 21, 2005.  
 Mansfield et al., Drinking Cup, U.S. Appl. No. 11/294,630, filed Dec. 5, 2005.  
 Mansfield et al., Plural Chamber Drinking Cup, U.S. Appl. No. 11/294,640, filed Dec. 5, 2005.  
 Mansfield, Drinking Cup, U.S. Appl. No. 29/244,072, filed Dec. 5, 2005.  
 Mansfield, Drinking Cup, U.S. Appl. 29/244,074, filed Dec. 5, 2005.  
 Mansfield, Drinking Cup, U.S. Appl. No. 29/244,076, filed Dec. 5, 2005.  
 Mansfield et al., Drinking Cup, U.S. Appl. No. 29/244,077, filed Dec. 5, 2005.  
 Mansfield, Drinking Cup, U.S. Appl. No. 29/246,552, filed Apr. 21, 2006.  
 Mansfield et al., Bottle Cover, U.S. Appl. No. 29/246/553, filed Apr. 21, 2006.

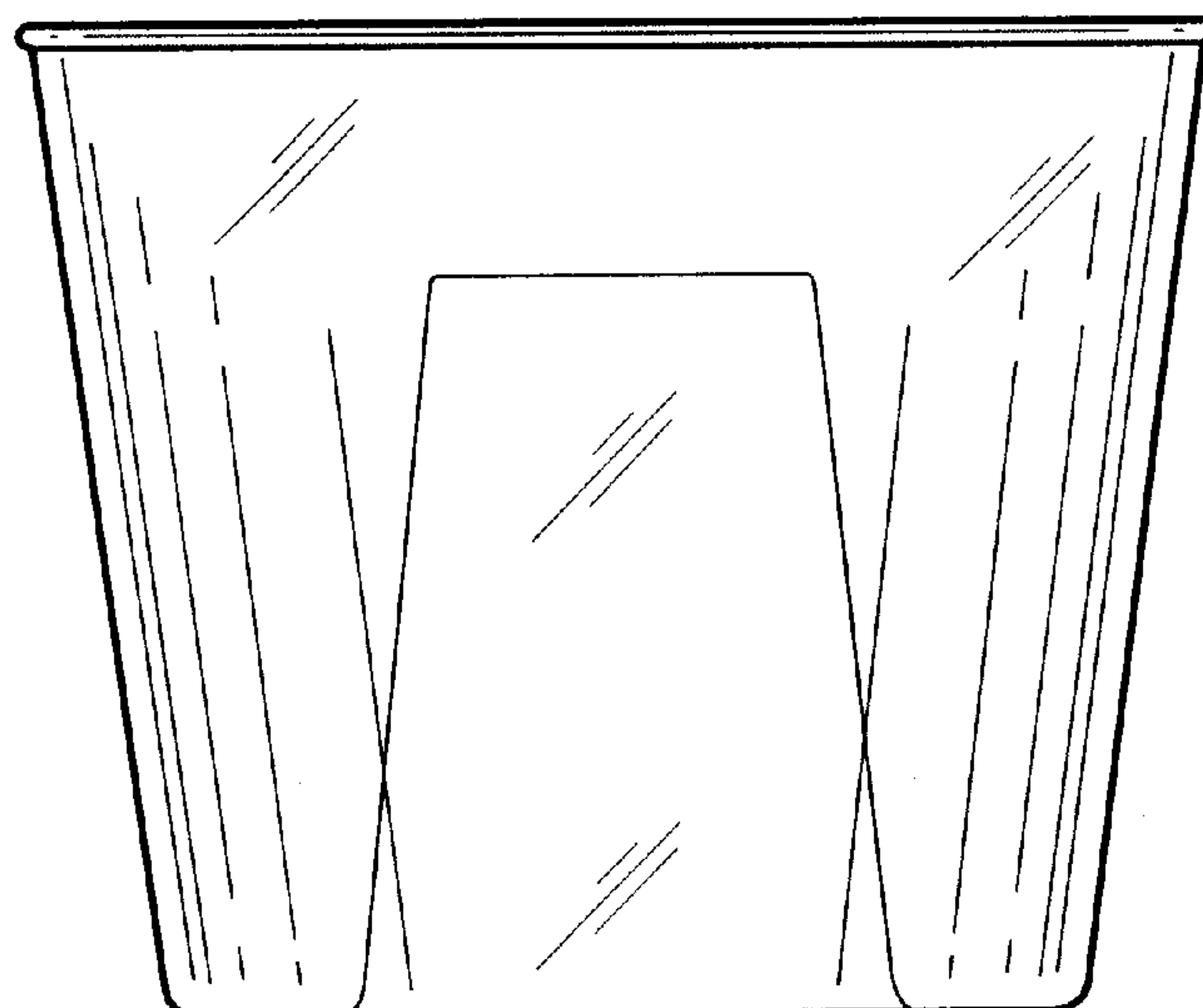
\* cited by examiner



**FIG. 1**

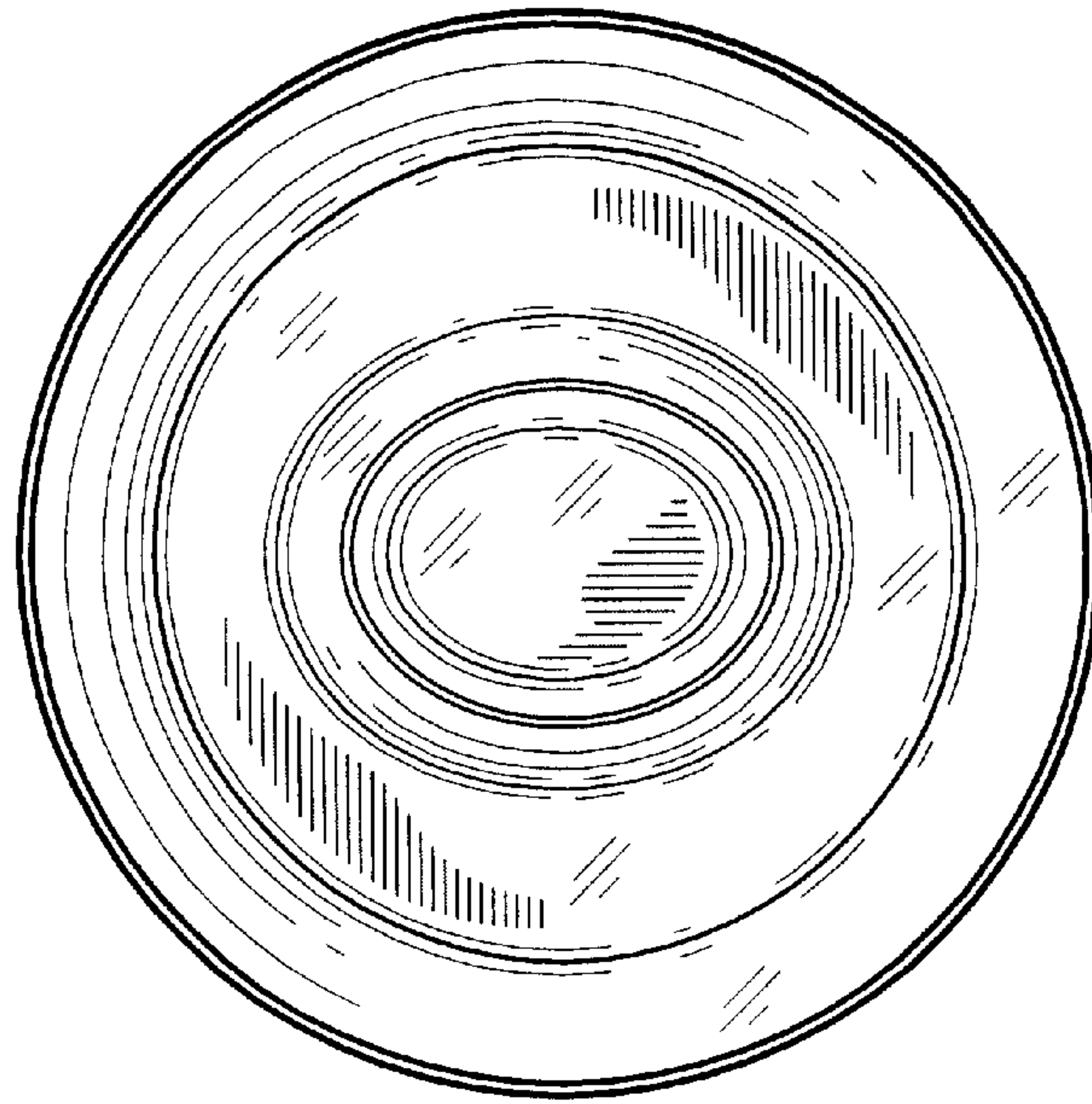


**FIG. 2**

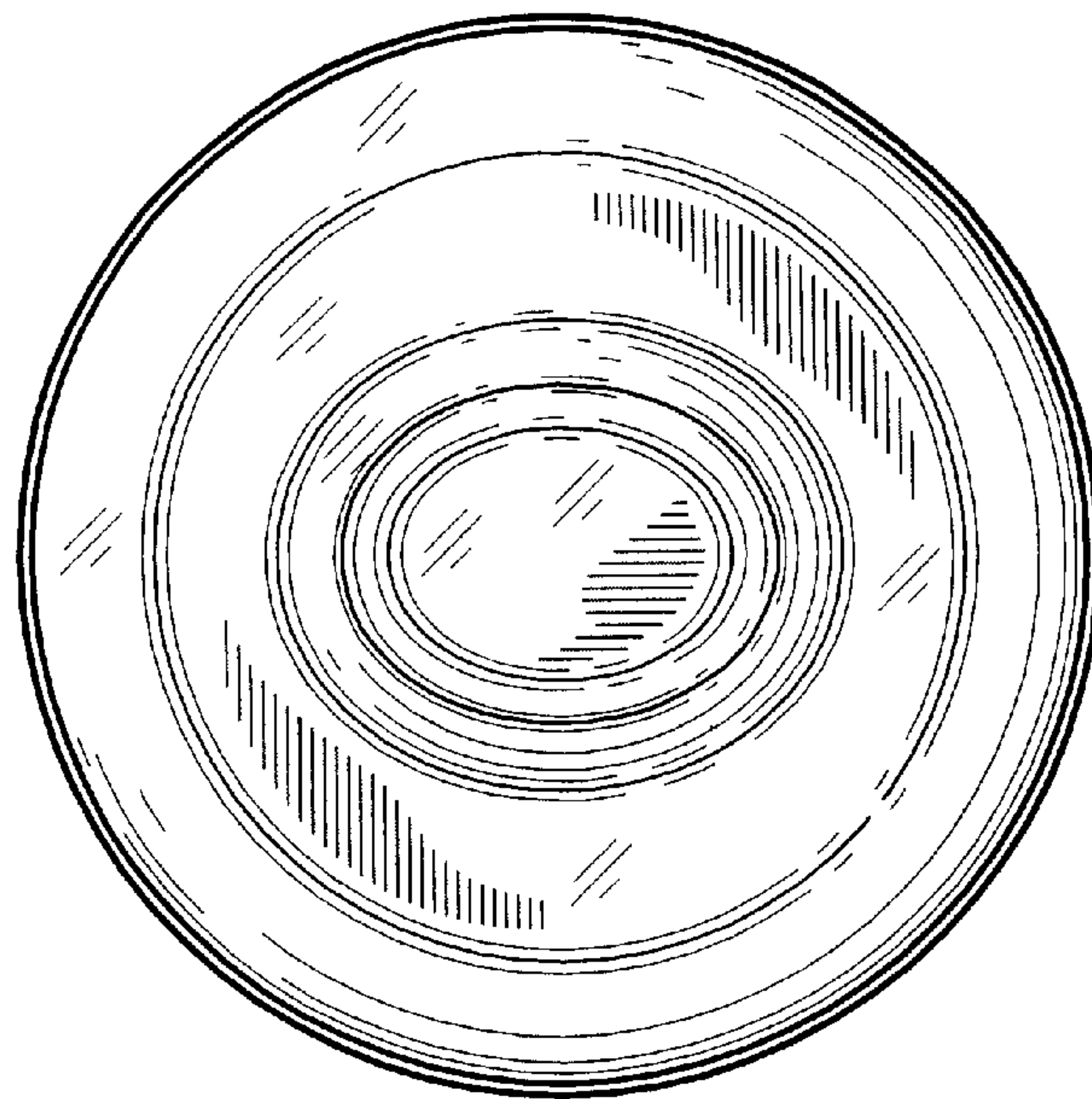


**FIG. 3**





**FIG. 4**



**FIG. 5**