



US00D539089S

(12) **United States Design Patent**
Logan et al.

(10) **Patent No.:** **US D539,089 S**
(45) **Date of Patent:** **** Mar. 27, 2007**

(54) **OPENING FOR A WINDOW FOR AN OVEN DOOR**

(75) Inventors: **Andy Logan**, San Francisco, CA (US);
Cormac Eubanks, San Francisco, CA (US)

(73) Assignee: **Turbochef Technologies, Inc.**, Dallas, TX (US)

(**) Term: **14 Years**

(21) Appl. No.: **29/237,338**

(22) Filed: **Aug. 30, 2005**

(51) **LOC (8) Cl.** **07-02**

(52) **U.S. Cl.** **D7/405**

(58) **Field of Classification Search** D7/339-341,
D7/346-349, 402, 405, 406; 126/21 A, 39 B,
126/39 R; 219/391-392, 400, 449-450
See application file for complete search history.

(56) **References Cited**

U.S. PATENT DOCUMENTS

D175,184 S	*	7/1955	Nelson	D7/405
D379,734 S	*	6/1997	Baldwin	D7/405
D399,390 S	*	10/1998	Baldwin	D7/405
D405,311 S	*	2/1999	Holbrook, Jr.	D7/340

D423,287 S	*	4/2000	Marchand	D7/405
D429,953 S	*	8/2000	Orzel et al.	D7/405
D429,954 S	*	8/2000	Orzel et al.	D7/405
D470,720 S	*	2/2003	Jones et al.	D7/405
D505,825 S	*	6/2005	Vetter	D7/340
D511,925 S	*	11/2005	Baldwin	D7/340

* cited by examiner

Primary Examiner—Louis S. Zarfes

Assistant Examiner—Mark Cavanna

(74) *Attorney, Agent, or Firm*—Dean W. Russell; Kilpatrick Stockton LLP

(57) **CLAIM**

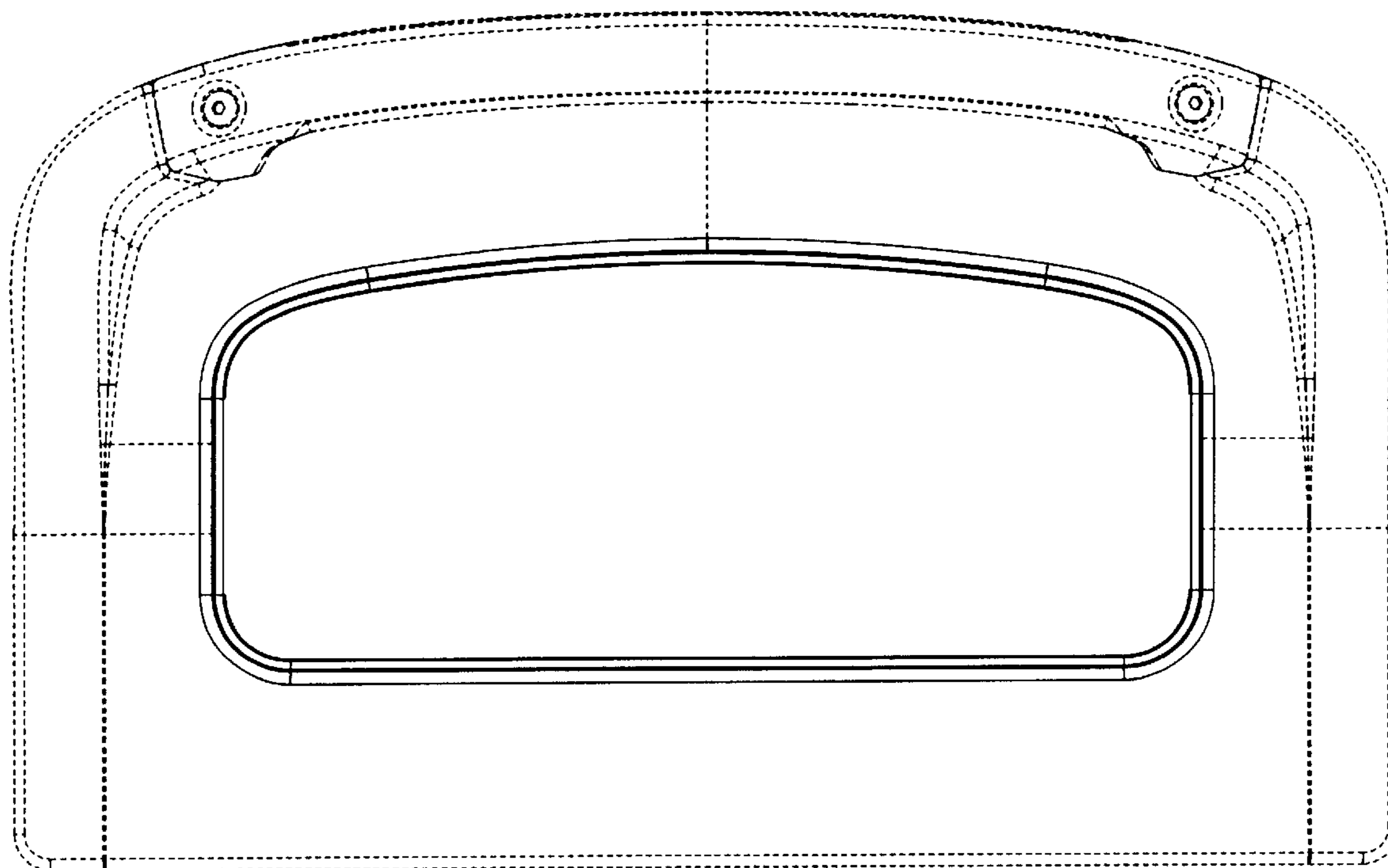
The ornamental design for an opening for a window for an oven door, as shown and described.

DESCRIPTION

FIG. 1 is a front view of an opening for a window for an oven door showing our new design; FIG. 2 is a rear view thereof; FIG. 3 is a left side view thereof; FIG. 4 is a right side view thereof; FIG. 5 is a top view thereof; and, FIG. 6 is a bottom view thereof.

The broken lines showing an oven door are for illustrative purposes only and form no part of the claimed design.

1 Claim, 6 Drawing Sheets



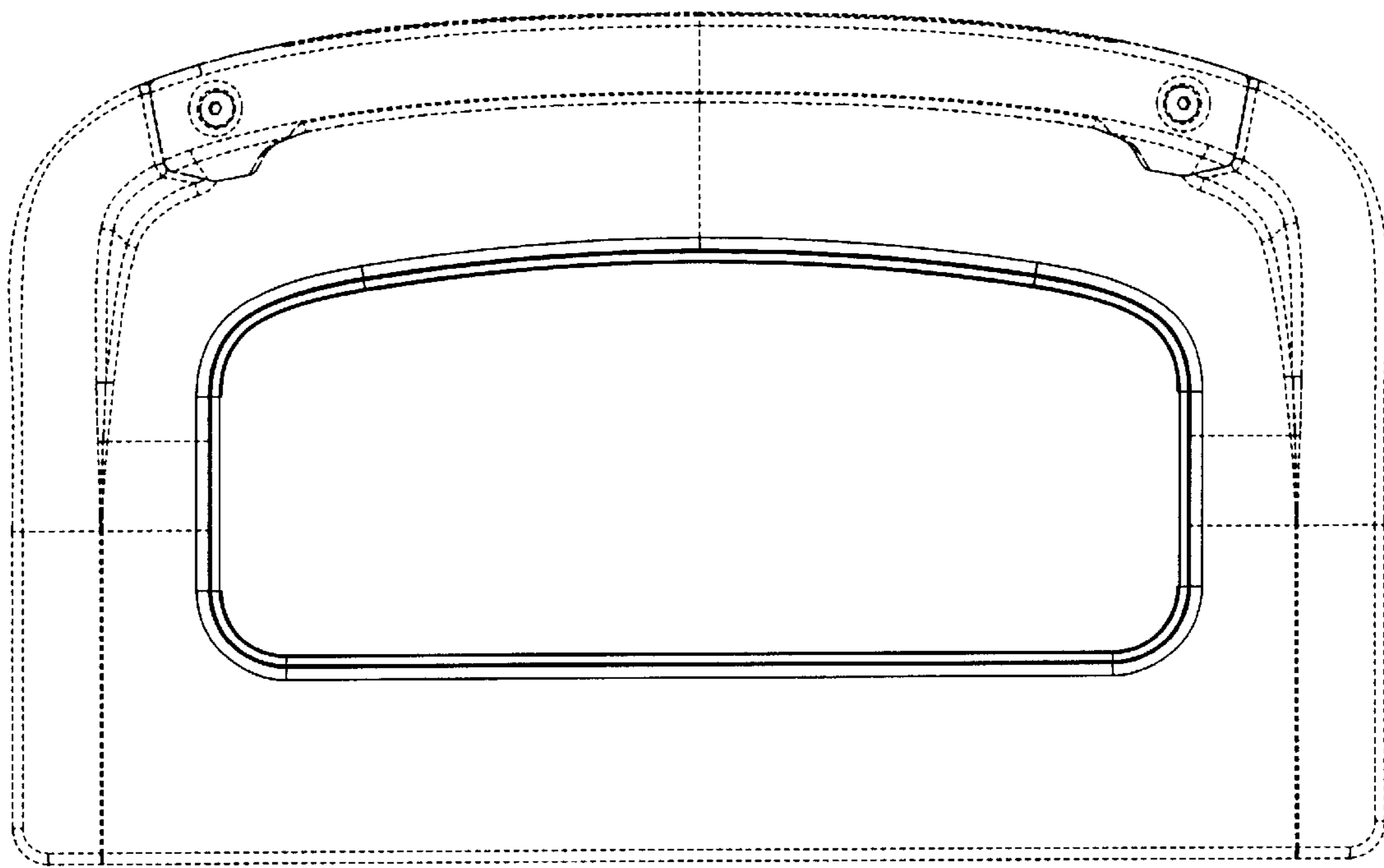


FIG. 1

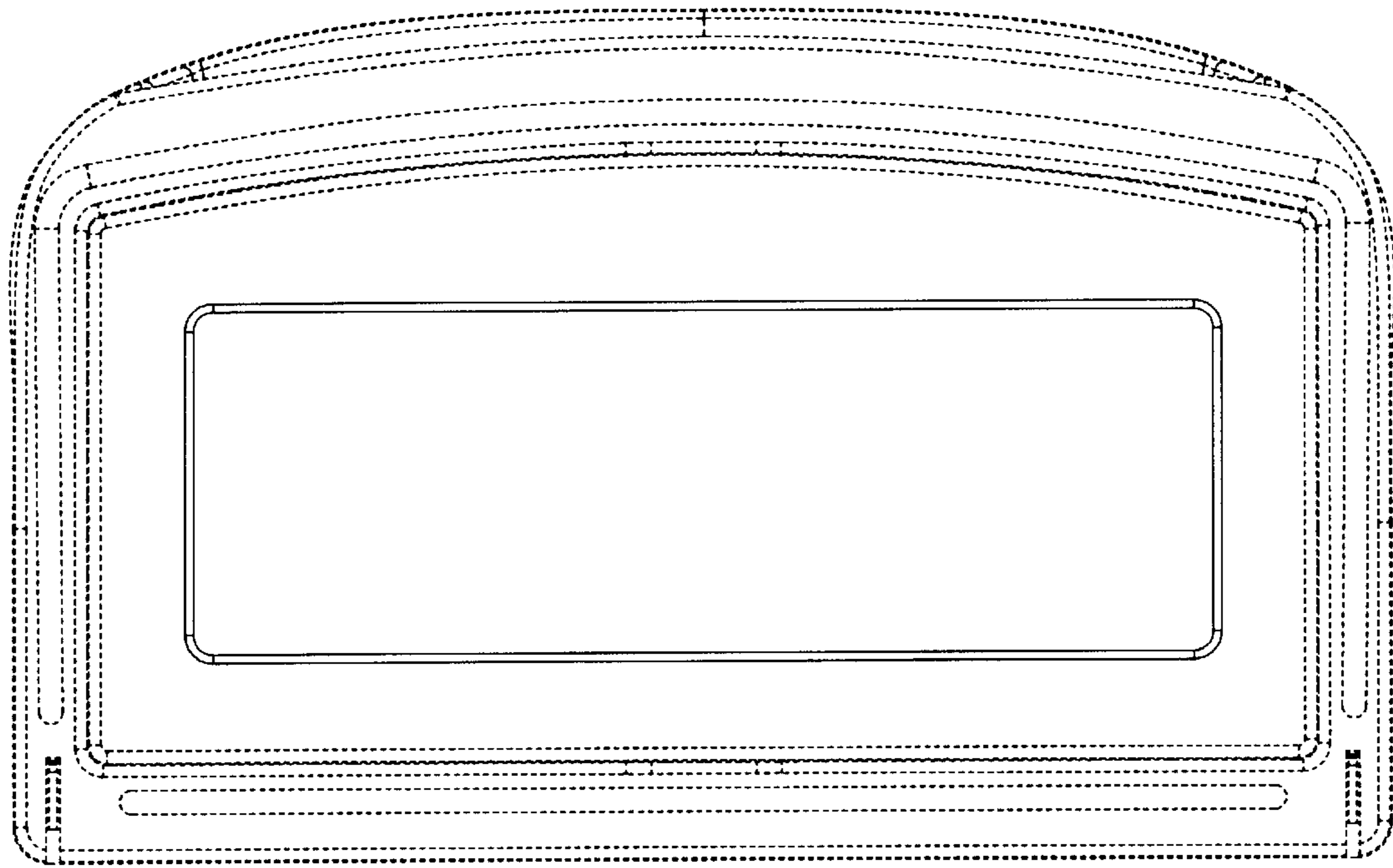


FIG. 2

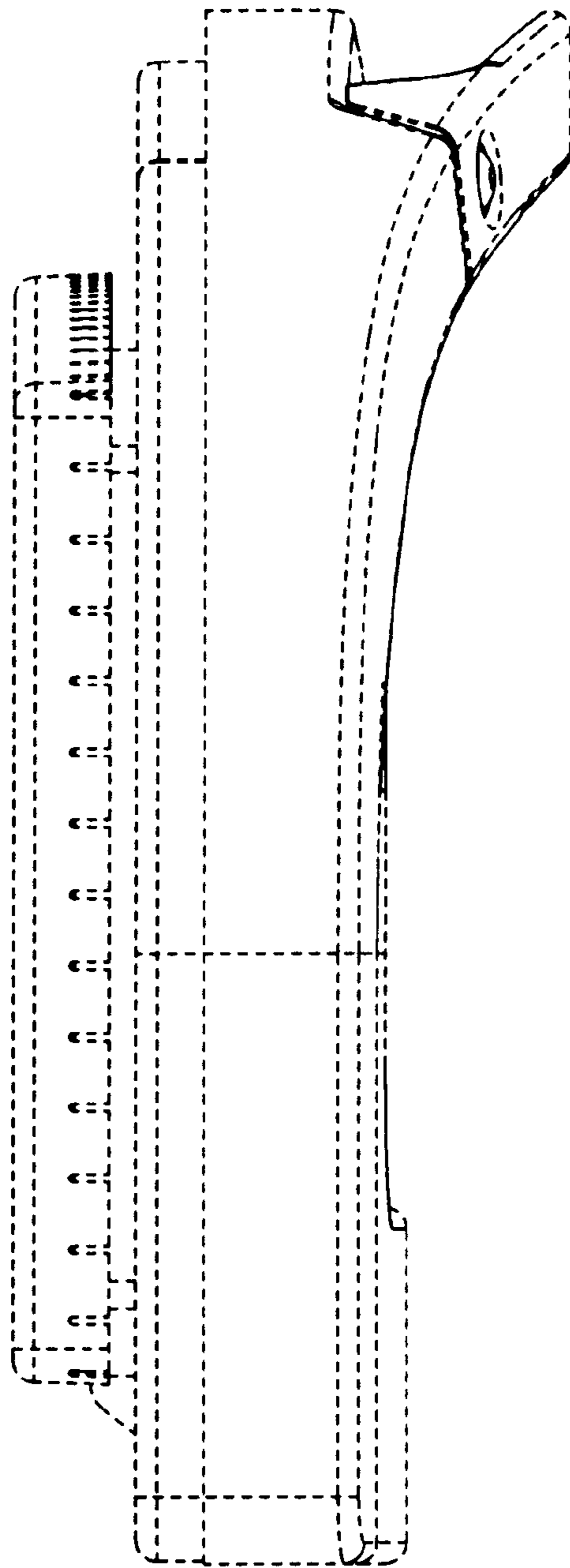


FIG. 3

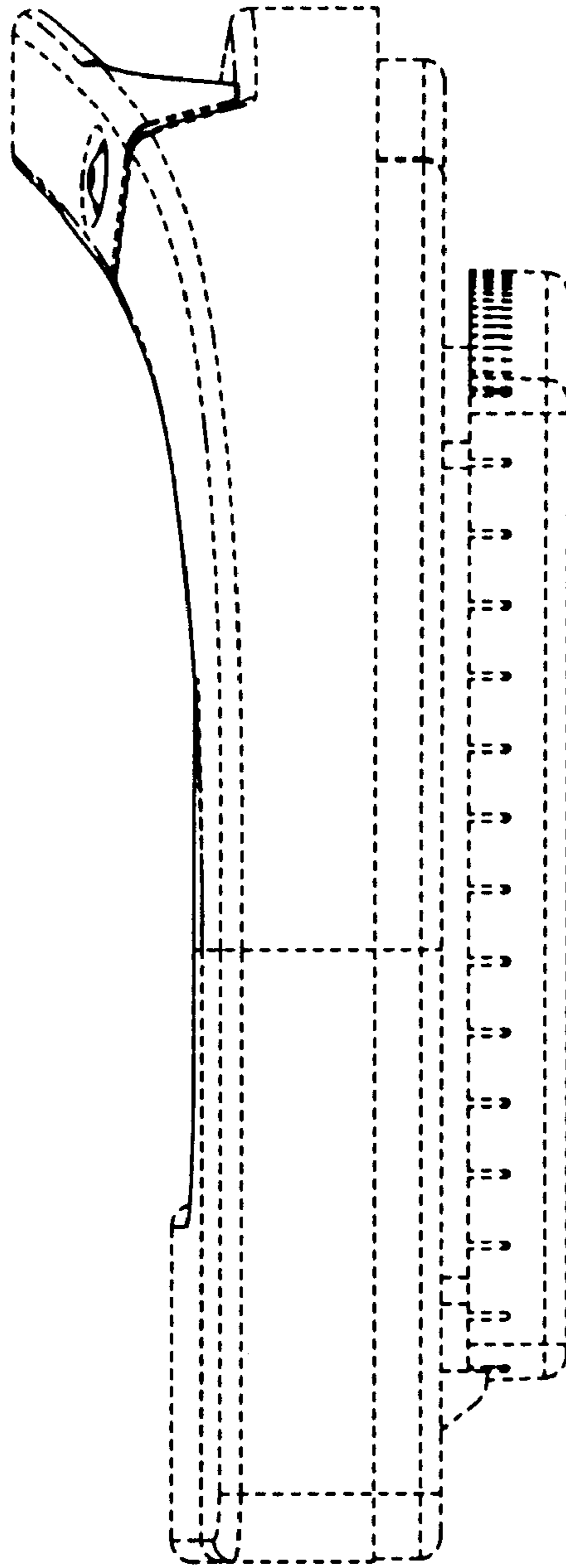


FIG. 4

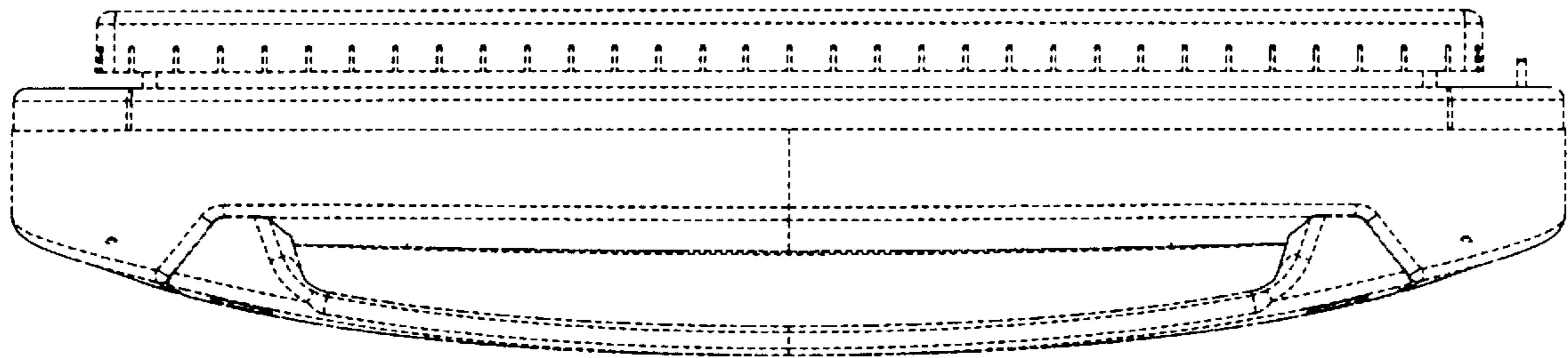


FIG. 5

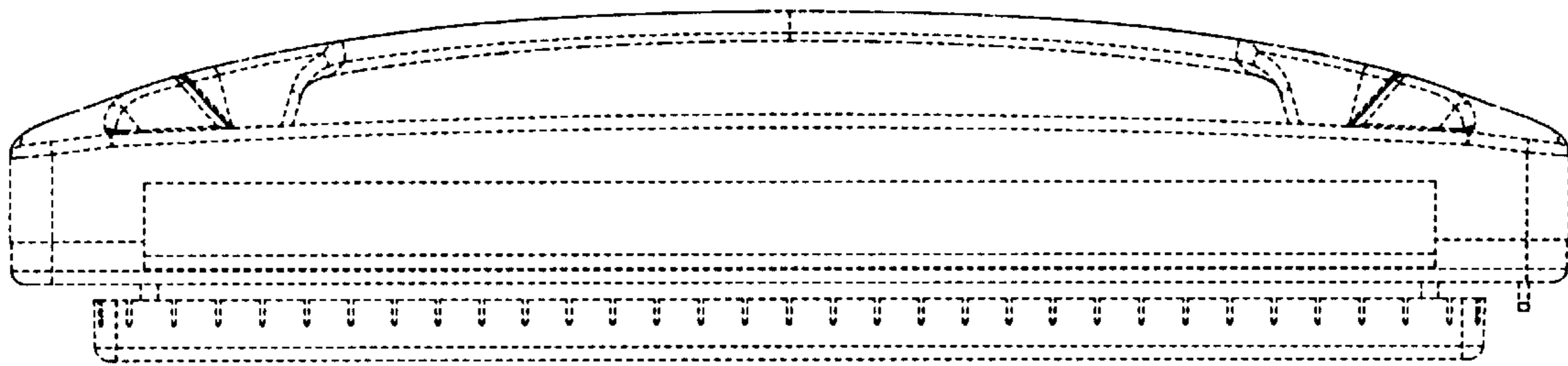


FIG. 6