

US00D539088S

(12) **United States Design Patent**
Logan et al.

(10) **Patent No.:** **US D539,088 S**

(45) **Date of Patent:** **** Mar. 27, 2007**

(54) **OVEN DOOR ASSEMBLY**
(75) Inventors: **Andy Logan**, San Francisco, CA (US);
Cormac Eubanks, San Francisco, CA
(US)

D462,867 S * 9/2002 Resuello et al. D7/349
D468,585 S * 1/2003 Resuello et al. D7/405
D468,962 S * 1/2003 Jones et al. D7/405
D524,095 S * 7/2006 Pino et al. D7/349
D525,476 S * 7/2006 Bengtson et al. D7/349

(73) Assignee: **Turbochef Technologies, Inc.**, Dallas,
TX (US)

* cited by examiner

(**) Term: **14 Years**

Primary Examiner—Louis Zarfes

Assistant Examiner—Mark Cavanna

(21) Appl. No.: **29/237,329**

(74) *Attorney, Agent, or Firm*—Dean W. Russell; Kilpatrick
Stockton LLP

(22) Filed: **Aug. 30, 2005**

(57) **CLAIM**

(51) **LOC (8) Cl.** **07-02**

The ornamental design for an oven door assembly, as shown
and described.

(52) **U.S. Cl.** **D7/405**

(58) **Field of Classification Search** D7/339–341,
D7/346–349, 402, 405, 406; 126/21 A, 39 B,
126/1 R, 273 A; 219/391–394

DESCRIPTION

See application file for complete search history.

FIG. 1 is a front view of an oven door assembly showing our
new design;

FIG. 2 is a rear view thereof;

FIG. 3 is a left side view thereof;

FIG. 4 is a right side view thereof;

FIG. 5 is a top view thereof; and,

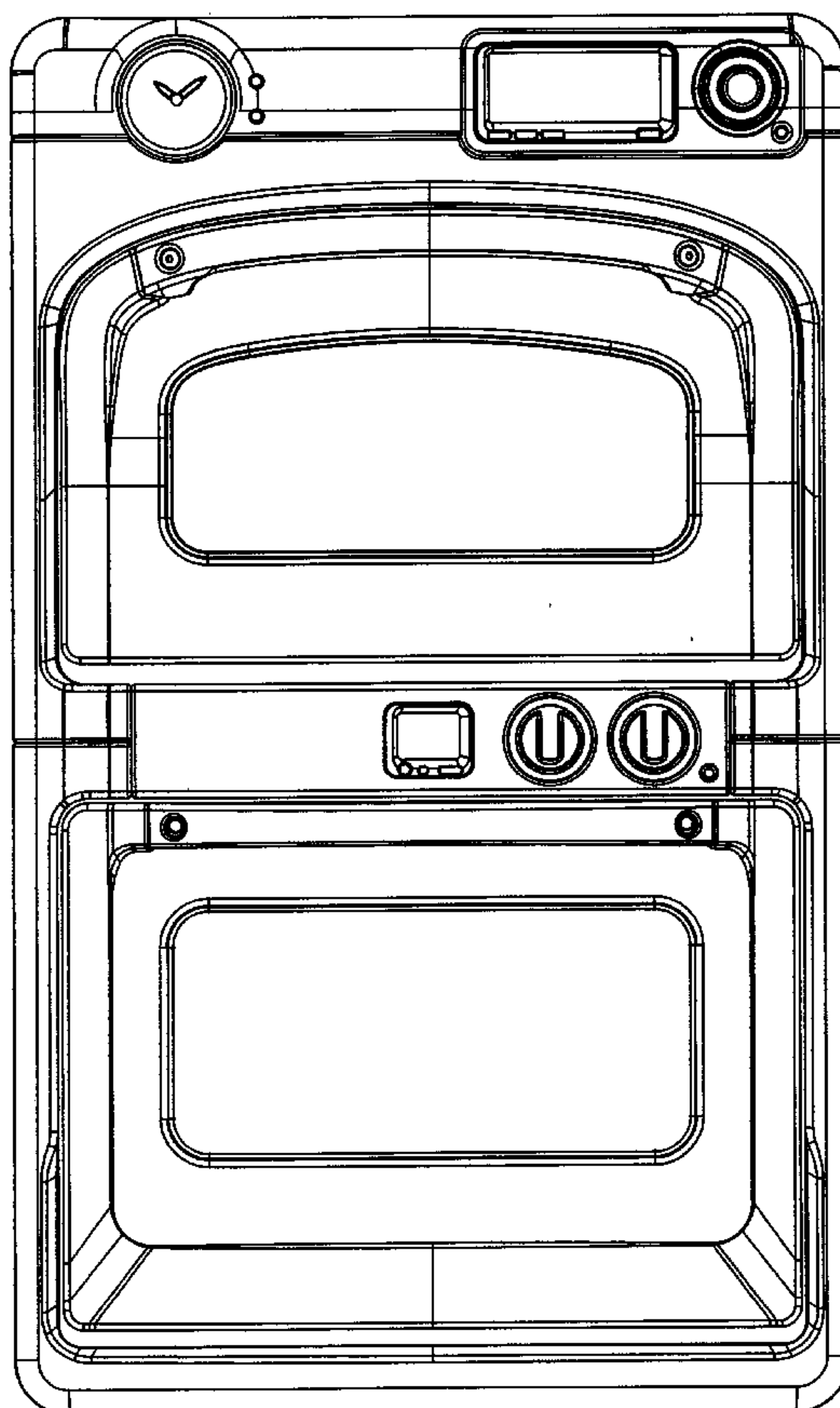
FIG. 6 is a bottom view thereof.

(56) **References Cited**

U.S. PATENT DOCUMENTS

D332,029 S * 12/1992 Carpenter D7/348
D366,983 S * 2/1996 Leukhardt et al. D7/349
D424,862 S * 5/2000 Holbrook D7/349

1 Claim, 6 Drawing Sheets



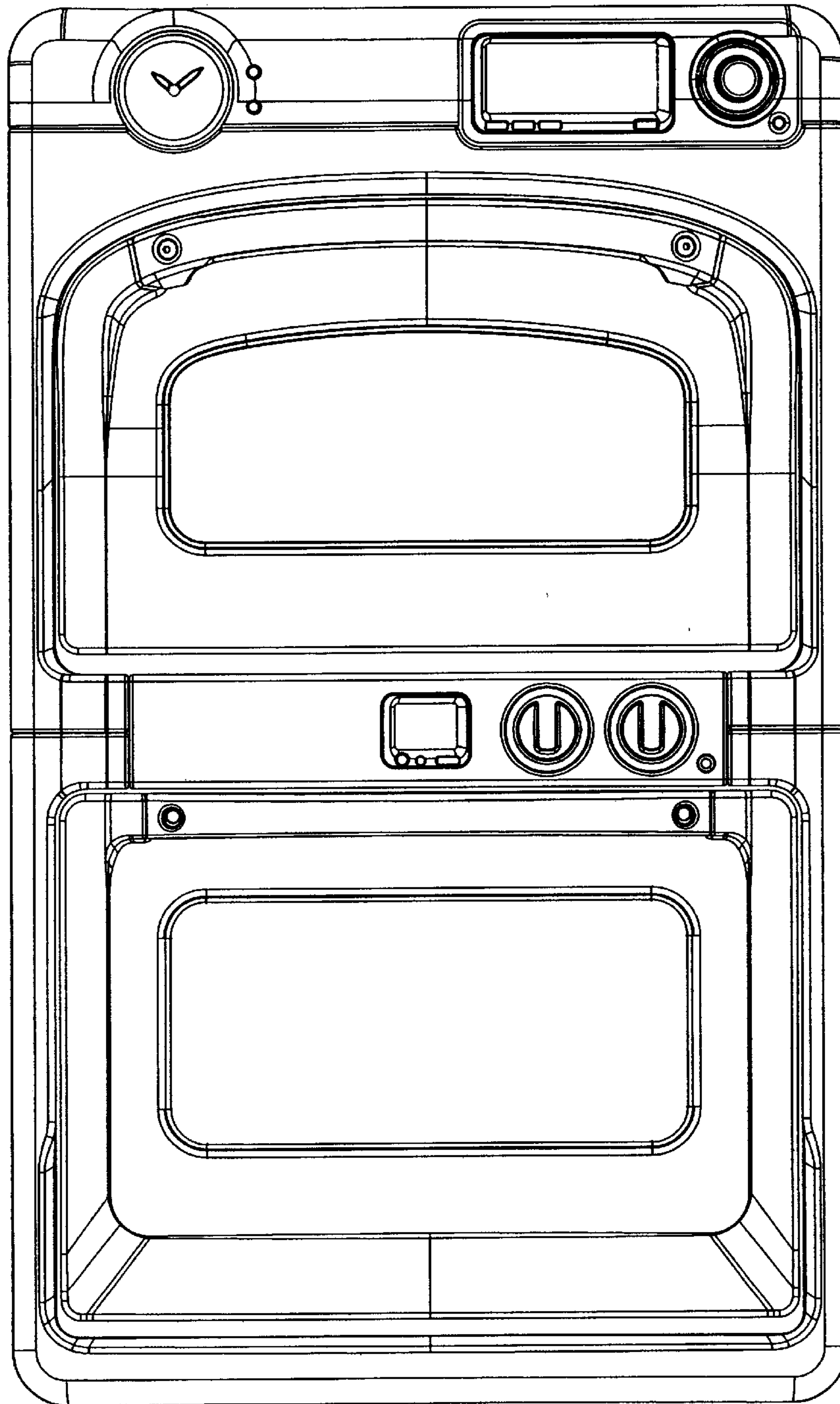


FIG. 1

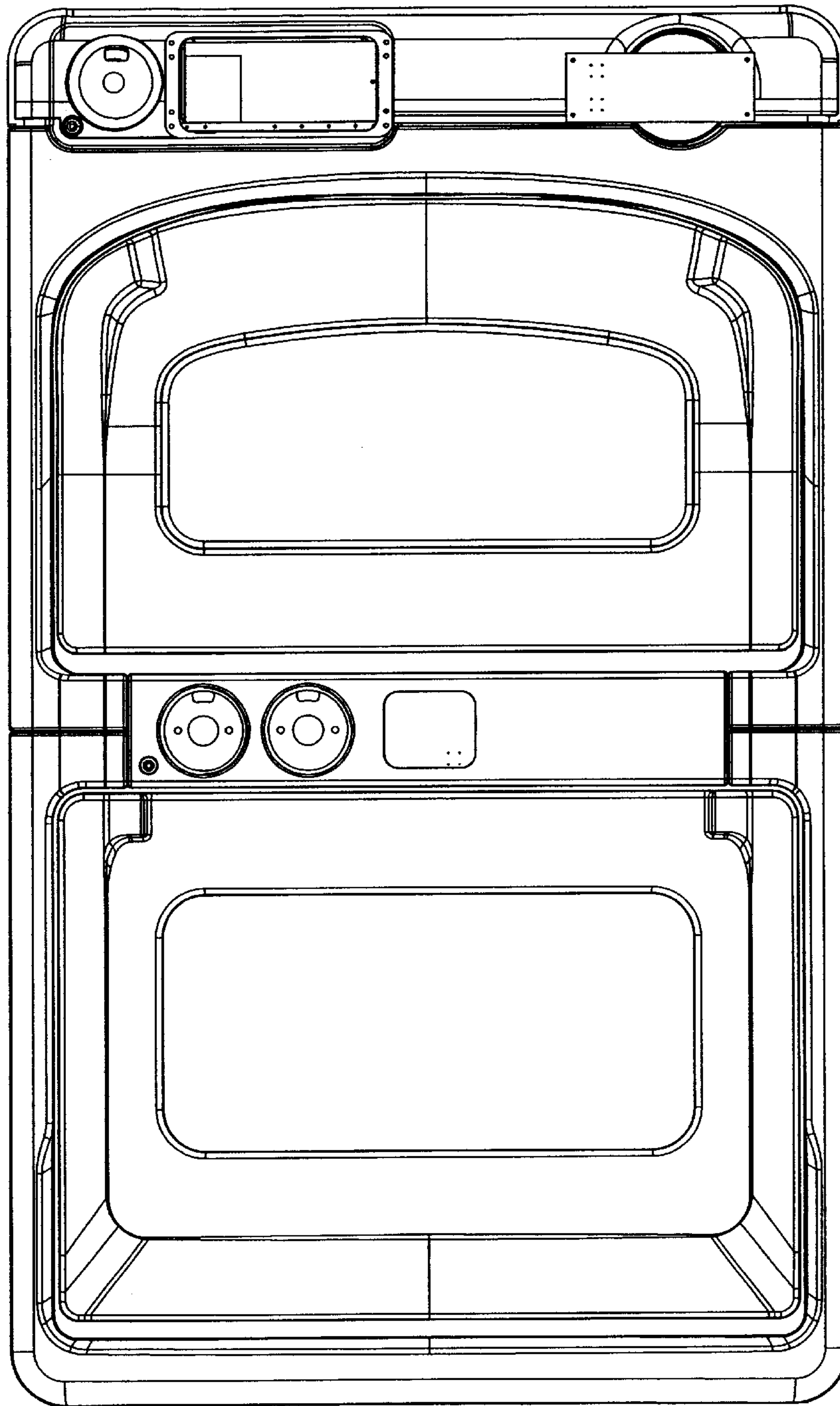


FIG. 2

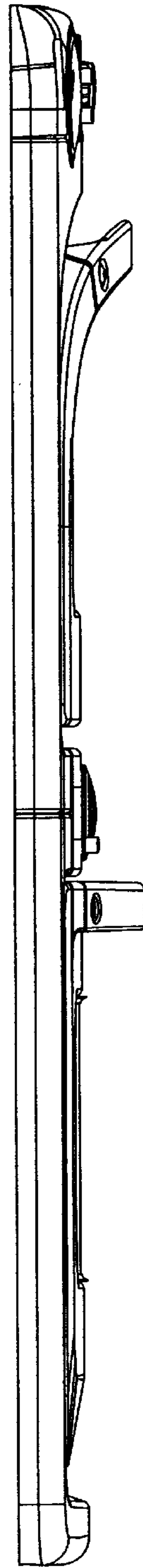


FIG. 3

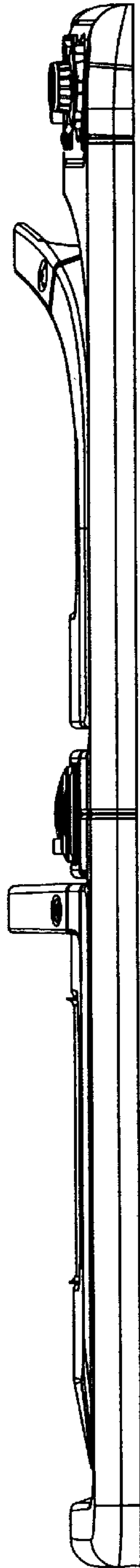


FIG. 4

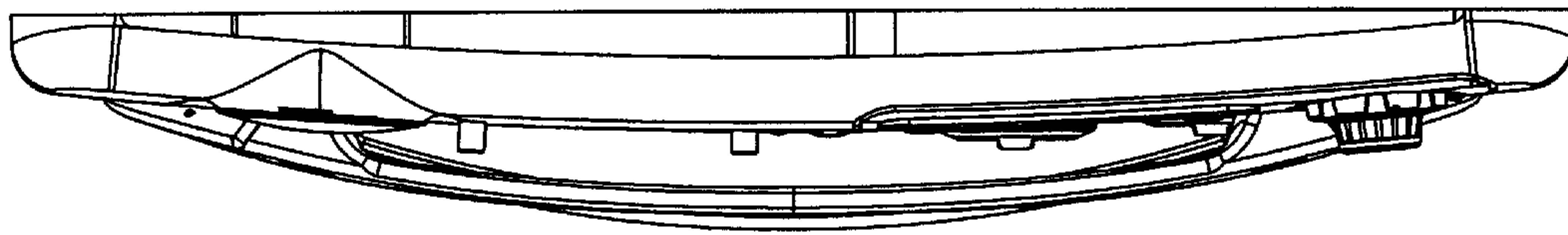


FIG. 5

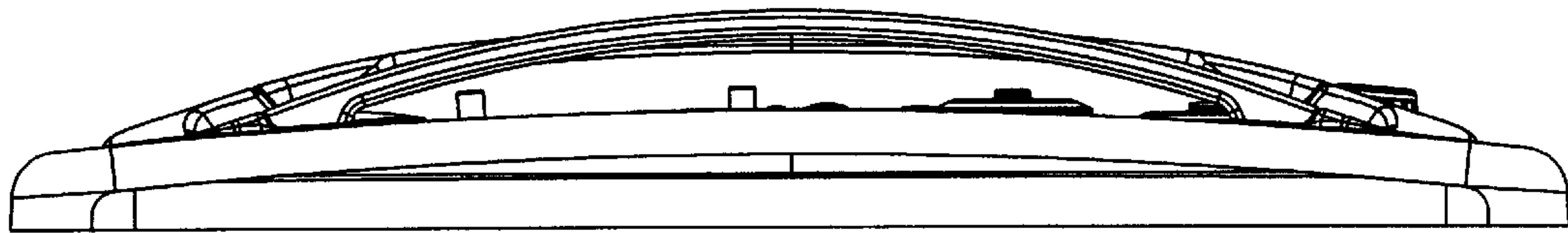


FIG. 6