



US00D539087S

(12) **United States Design Patent**
McKenzie

(10) **Patent No.:** **US D539,087 S**
(45) **Date of Patent:** **** Mar. 27, 2007**

(54) **BARBEQUE CONSOLE KNOBS**
(75) Inventor: **Stuart T. McKenzie, Wyevale (CA)**
(73) Assignee: **Fiesta Barbeques Limited, Brampton (CA)**
(**) Term: **14 Years**
(21) Appl. No.: **29/237,515**
(22) Filed: **Sep. 2, 2005**

6,463,630 B1 * 10/2002 Howie, Jr. 16/441
D467,489 S * 12/2002 Rubinson D8/310
D470,357 S 2/2003 Home
D472,422 S 4/2003 Pai
D472,756 S 4/2003 Pai
6,687,957 B2 * 2/2004 Worrell 16/433
D493,090 S * 7/2004 Chen et al. D8/310
D521,308 S 5/2006 Tseng
2002/0020303 A1 2/2002 Johnson
2002/0020405 A1 2/2002 Coleman et al.
2003/0029436 A1 2/2003 Carden et al.
2003/0154971 A1 * 8/2003 Chapman 126/41 R
2004/0154608 A1 8/2004 Ward et al.

(30) **Foreign Application Priority Data**

Mar. 4, 2005 (CA) 110257
Mar. 4, 2005 (CA) 110258
Aug. 7, 2005 (CA) 111805

(51) **LOC (8) Cl.** **07-02**
(52) **U.S. Cl.** **D7/402**
(58) **Field of Classification Search** D7/332,
D7/334-337, 402-405, 417; 126/25 R, 25 A,
126/25 AA, 25 B, 41 R, 50, 59, 59.5, 37 R,
126/9 R, 9 B, 29-30, 276, 332, 334; 211/215,
211/134-135, 153; 99/340, 481-482, 444;
426/314; 312/236; D8/300, 310
See application file for complete search history.

(56) **References Cited**

U.S. PATENT DOCUMENTS

4,499,630 A * 2/1985 Harris et al. 16/441
5,499,427 A * 3/1996 Bowman 16/417
D377,734 S 2/1997 Bird et al.
D435,396 S 12/2000 Wagner
D436,004 S 1/2001 Wagner
D460,313 S * 7/2002 Crookshanks et al. D7/334
D462,234 S 9/2002 Alden et al.

* cited by examiner

Primary Examiner—Ruth McInroy

(74) *Attorney, Agent, or Firm*—McCarthy Tétrault LLP;
Christopher N. Hunter

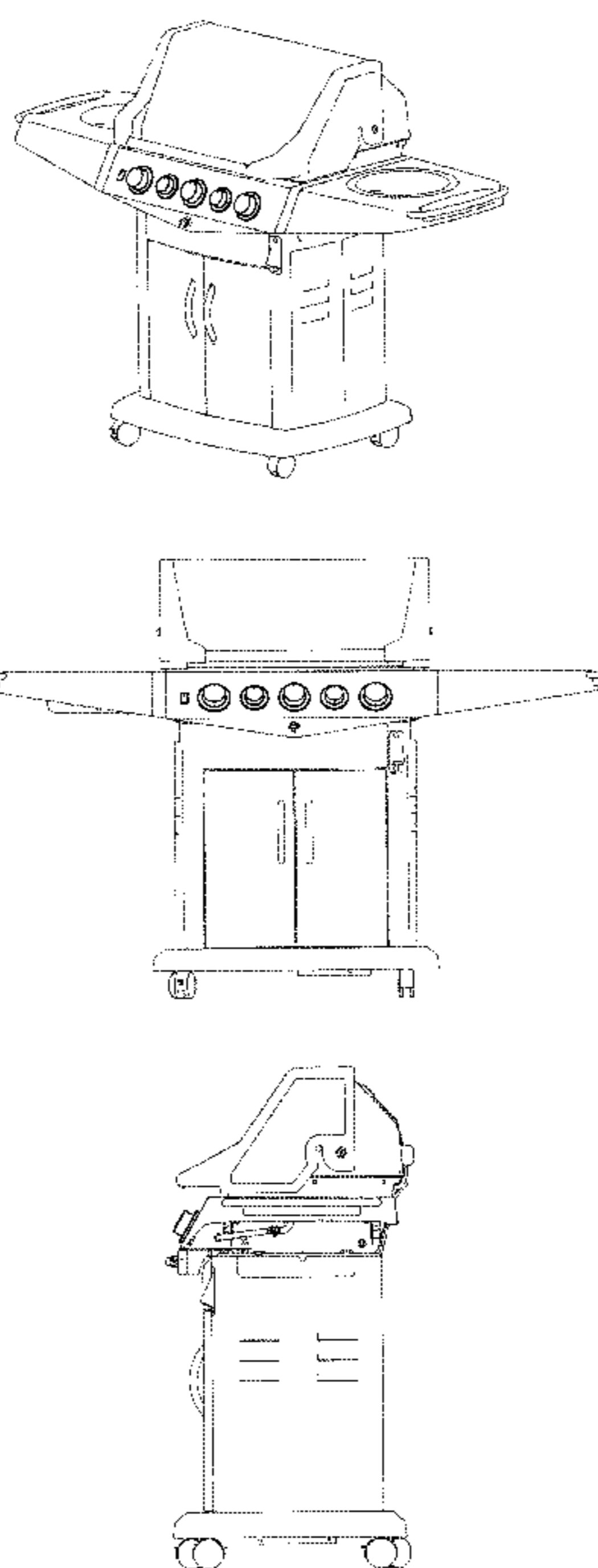
(57) **CLAIM**

The ornamental design for barbeque console knobs, as shown and described.

DESCRIPTION

FIG. 1 is an isometric view of barbeque console knobs showing the new design;
FIG. 2 is a front view of the barbeque console knobs of FIG. 1;
FIG. 3 is a top view of the barbeque console knobs of FIG. 1; and,
FIG. 4 is an end view of the barbeque console knobs of FIG. 1.
The details shown in broken lines form no part of the claimed design.

1 Claim, 4 Drawing Sheets



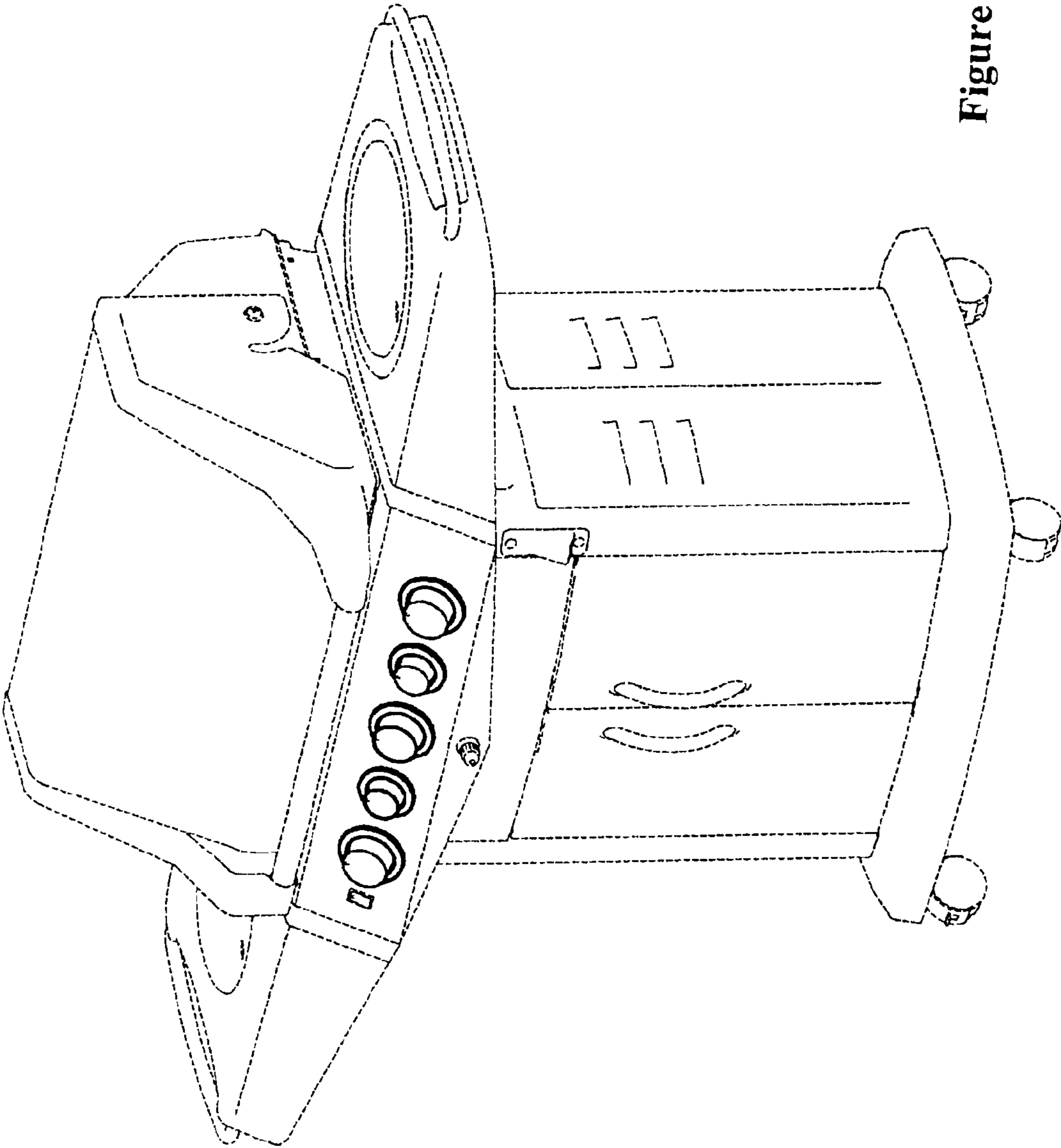


Figure 1

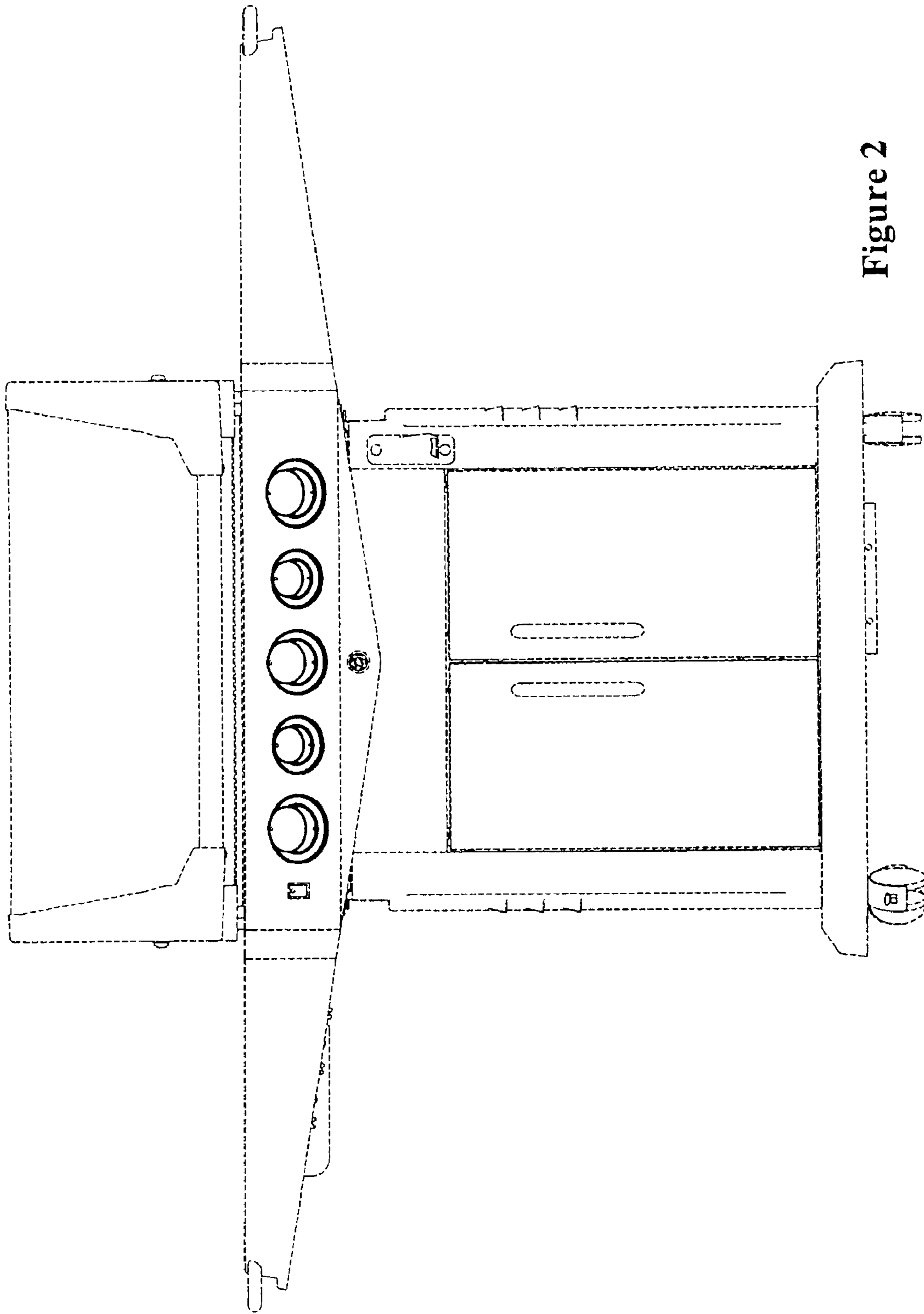


Figure 2

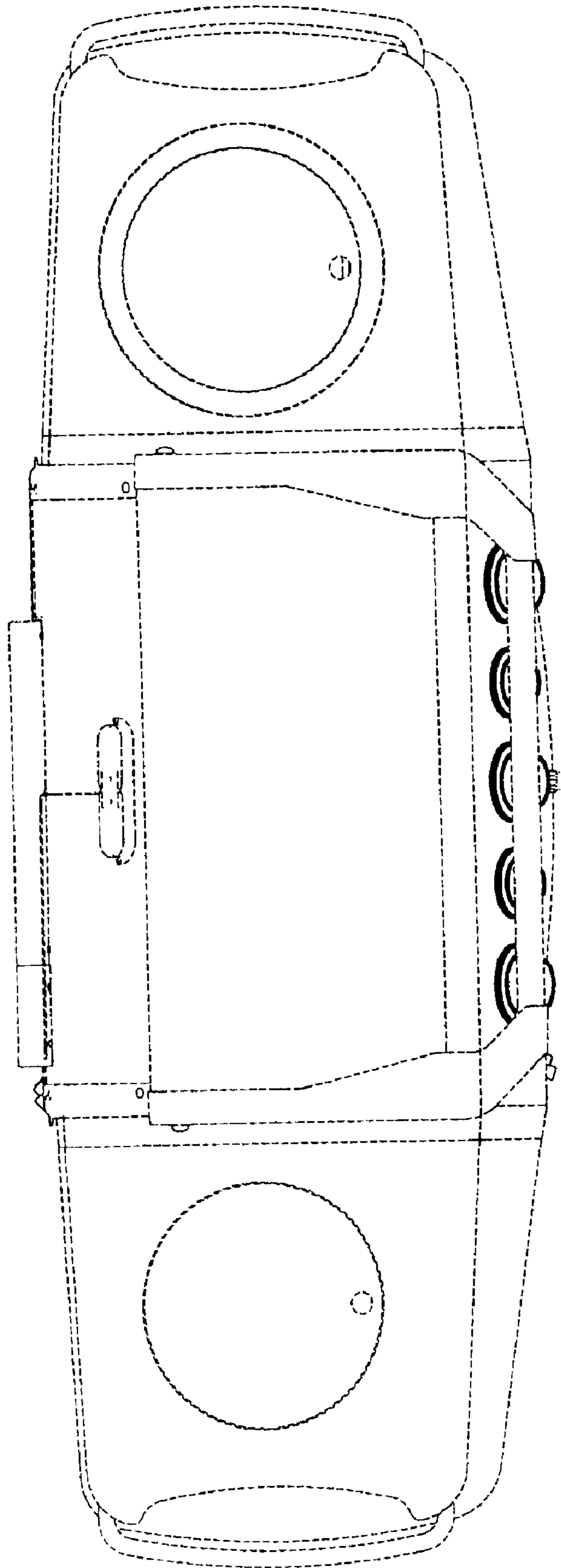


Figure 3

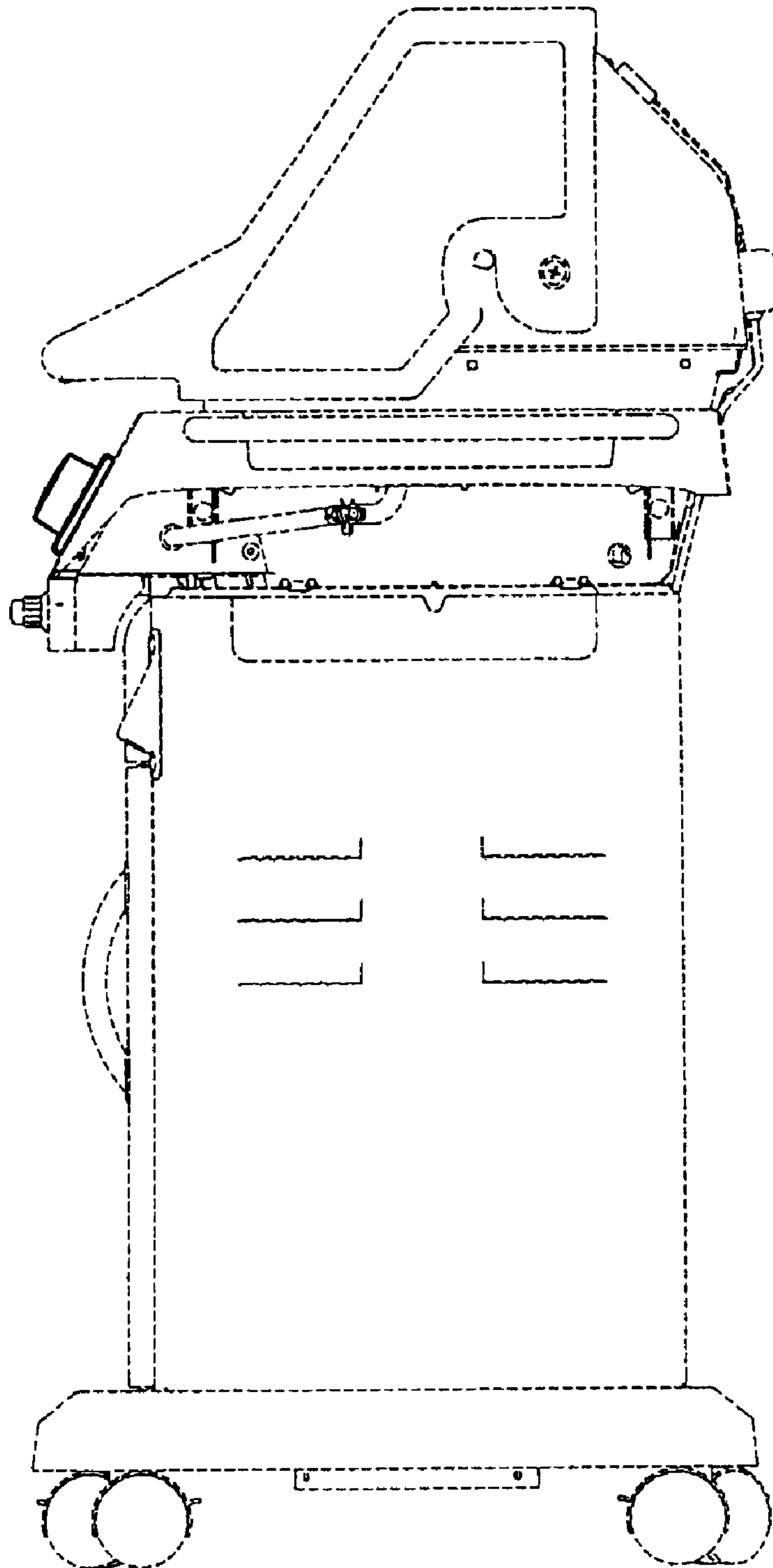


Figure 4

UNITED STATES PATENT AND TRADEMARK OFFICE
CERTIFICATE OF CORRECTION

PATENT NO. : Des. 539,087 S
APPLICATION NO. : 29/237515
DATED : March 27, 2007
INVENTOR(S) : Stuart T. McKenzie

Page 1 of 1

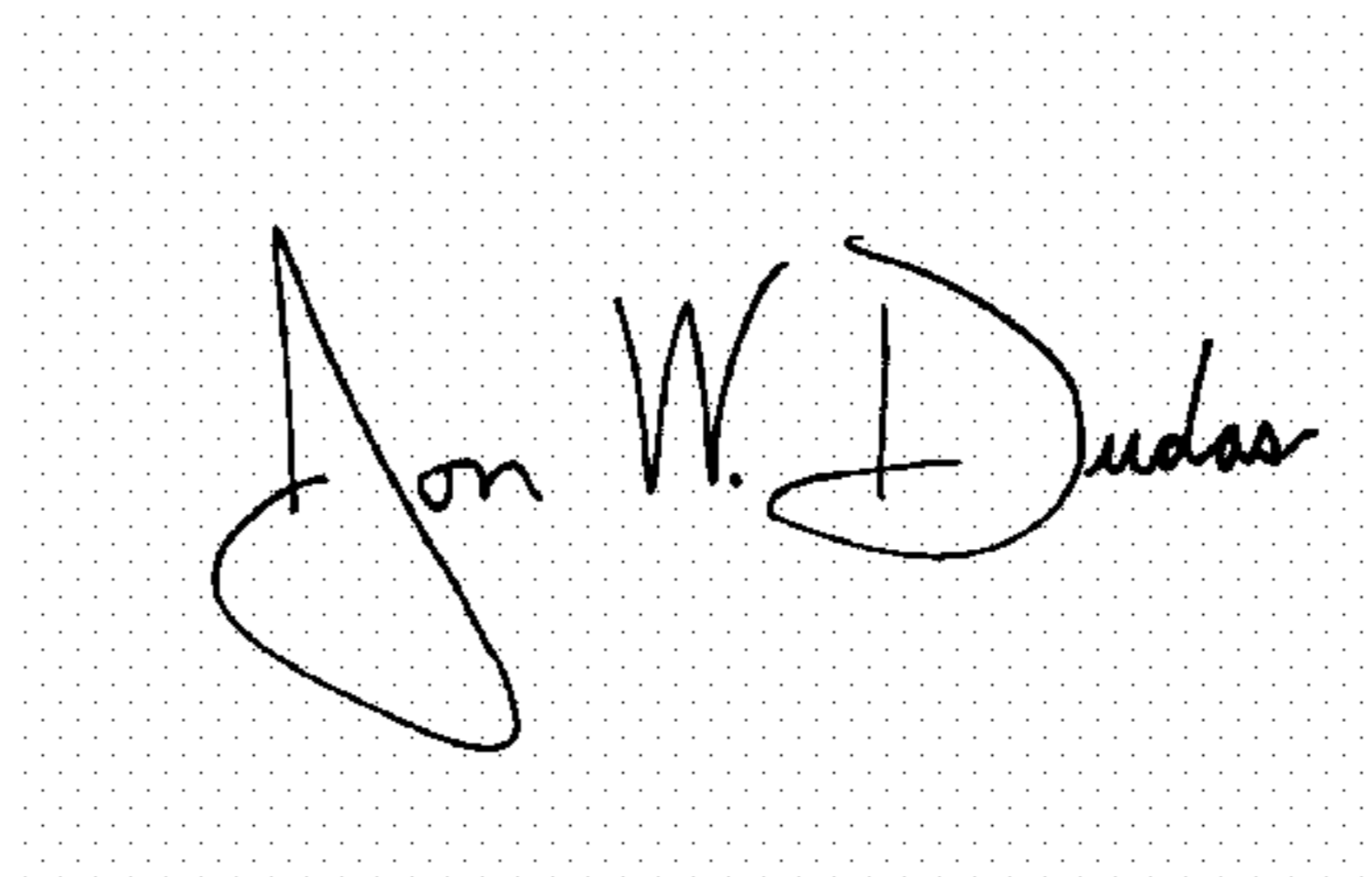
It is certified that error appears in the above-identified patent and that said Letters Patent is hereby corrected as shown below:

On the Title Page, please amend the information under heading (30)
Foreign Application Priority Data as follows:

Mar. 4, 2005 (CA) 110257
Mar. 4, 2005 (CA) 110258
~~Aug. 7, 2005~~ July 8, 2005 (CA) 111805

Signed and Sealed this

Tenth Day of July, 2007

A handwritten signature in black ink on a light gray dotted background. The signature reads "Jon W. Dudas" in a cursive style.

JON W. DUDAS

Director of the United States Patent and Trademark Office