



US00D539086S

(12) **United States Design Patent**
Aston, III

(10) **Patent No.:** **US D539,086 S**
(45) **Date of Patent:** **** Mar. 27, 2007**

(54) **KNIFE BLADE GRIP HAVING LINED PATTERN**

(76) Inventor: **Walter Mathew Aston, III**, 6946 Alcove Ave., North Hollywood, CA (US) 91605

(**) Term: **14 Years**

(21) Appl. No.: **29/242,977**

(22) Filed: **Nov. 16, 2005**

(51) **LOC (8) Cl.** **07-03**

(52) **U.S. Cl.** **D7/401.2; D8/107**

(58) **Field of Classification Search** D7/401.2, D7/649, 650, 652, 693, 695, 696, 381, 393, D7/395, 396.4, 412; D8/98-100, 107; 30/151-160, 30/123.5, 295, 344; D29/113, 114
See application file for complete search history.

(56) **References Cited**

U.S. PATENT DOCUMENTS

492,409 A * 2/1893 May 30/295
649,059 A 5/1900 Kern
673,506 A * 5/1901 Pitts 30/1

(Continued)

FOREIGN PATENT DOCUMENTS

JP 11-347262 12/1999
JP 2003-236265 8/2003

OTHER PUBLICATIONS

“Hold a Knife With a Proper Grip,” 1 page printed from website at www.cutlery.com on Oct. 10, 2005.
“Identify Basic Knife Parts,” 3 pages printed from website at www.cutlery.com on Oct. 10, 2005.

“Chef’sChoice.com Basic Tips,” 2 pages printed from website at www.edgecraft.com Oct. 10, 2005.

Koetke, “Chef Knives—How to really use them,” 2 pages printed from website at www.cheftalk.com on Oct. 10, 2005.

“Basic Knife Techniques,” *Cook’s Illustrated*, Jan./Feb. 1996, pp. 16 and 17.

Primary Examiner—Alan P. Douglas

Assistant Examiner—Barbara Fox

(74) *Attorney, Agent, or Firm*—Fulwider Patton LLP

(57) **CLAIM**

The ornamental design for a knife blade grip having lined pattern, as shown and described.

DESCRIPTION

FIG. 1 is a perspective view of the knife blade grip having lined pattern showing my new design;

FIG. 2 is a right side elevational view, the left side being a mirror image;

FIG. 3 is a front elevational view, the rear being a mirror image;

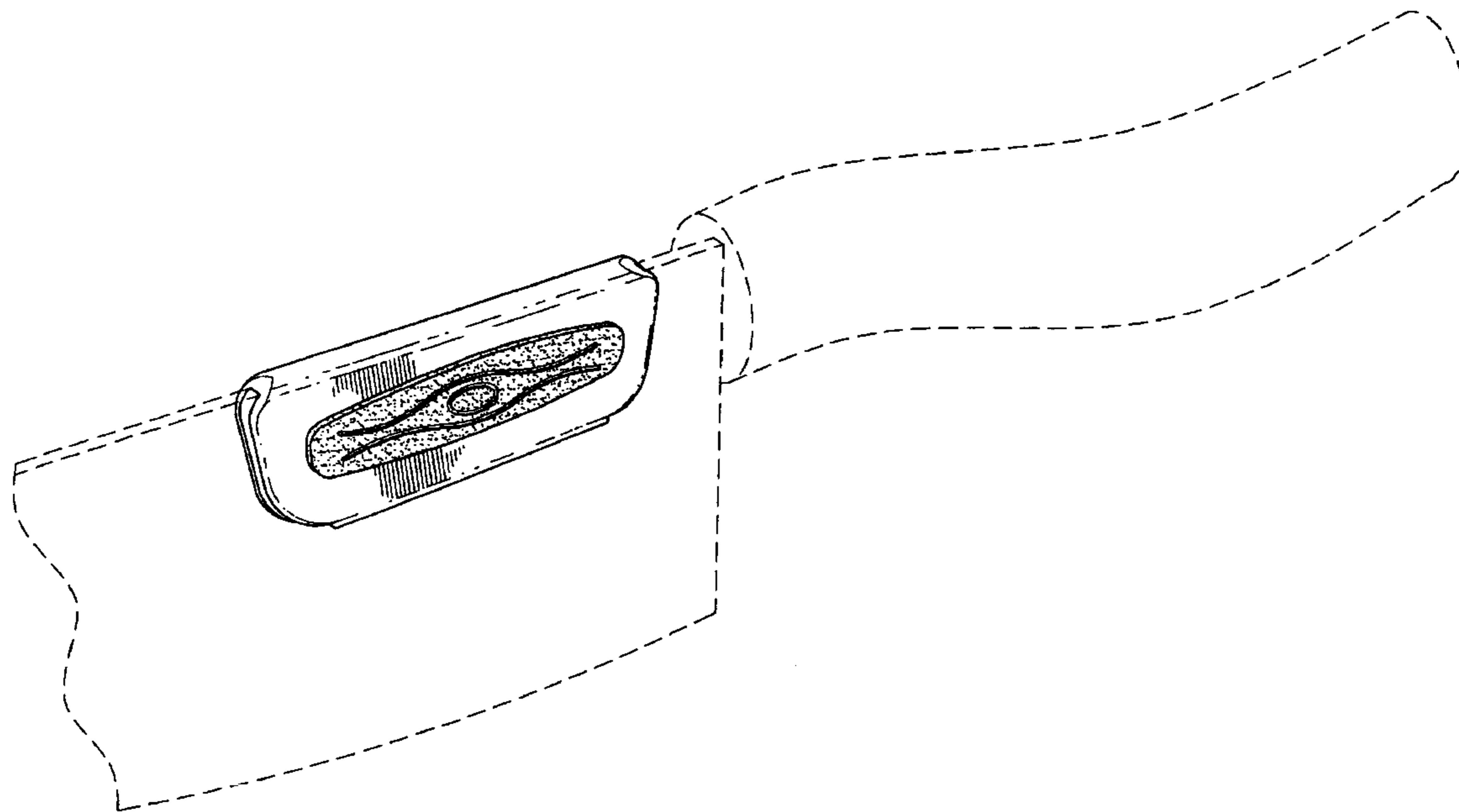
FIG. 4 is a sectional view taken along line 4—4 in FIG. 3;

FIG. 5 is a top plan view; and,

FIG. 6 is a bottom view.

Broken lines appearing in the drawings are intended to be for illustrative purposes only and form no part of the claimed design.

1 Claim, 2 Drawing Sheets



US D539,086 S

Page 2

U.S. PATENT DOCUMENTS							
682,938	A	9/1901	Ingram	D388,695	S * 1/1998	Alcini D8/395	
734,909	A	7/1903	MacLean	D391,115	S	2/1998	Roberton
1,491,623	A	4/1924	Pitchur	D397,282	S	8/1998	Derkatz
1,505,444	A	8/1924	Swanson	5,843,107	A	12/1998	Landis et al.
1,750,577	A	3/1930	De Bracht	D407,749	S *	4/1999	Griffin D19/65
2,168,237	A	8/1939	Polacsek	D445,643	S *	7/2001	Kazaklaris D7/401.2
2,217,100	A	10/1940	Burns	6,381,855	B1	5/2002	Lin
D131,224	S	1/1942	Parisi	D461,681	S *	8/2002	Lothe D7/401.2
2,494,306	A	1/1950	Morvey	D470,806	S *	2/2003	Voves D12/191
2,650,424	A	9/1953	Kalmon	D488,810	S *	4/2004	Lin et al. D14/341
D255,974	S *	7/1980	Jacoby D7/401.2	D496,469	S *	9/2004	Griffith D25/100
4,587,735	A	5/1986	Walters et al.	6,988,296	B1 *	1/2006	McGarity et al. 24/67.3
4,832,604	A	5/1989	Rusk	D514,435	S *	2/2006	Bhavnani D8/395
4,937,941	A	7/1990	Crist	2002/0170184	A1	11/2002	Lothe
D342,829	S *	1/1994	Mitchell D3/253	2004/0123471	A1	7/2004	Onion
							* cited by examiner

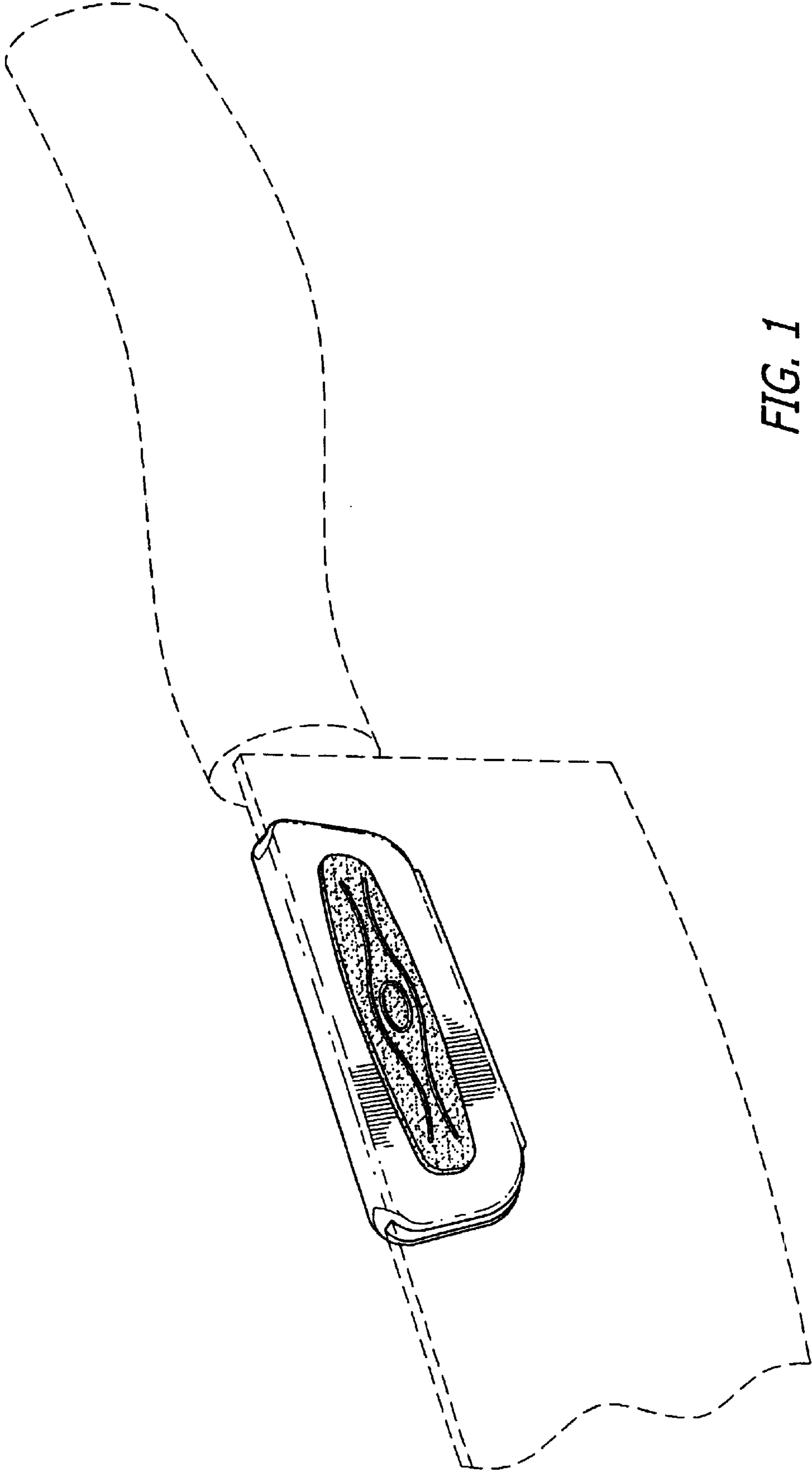


FIG. 1

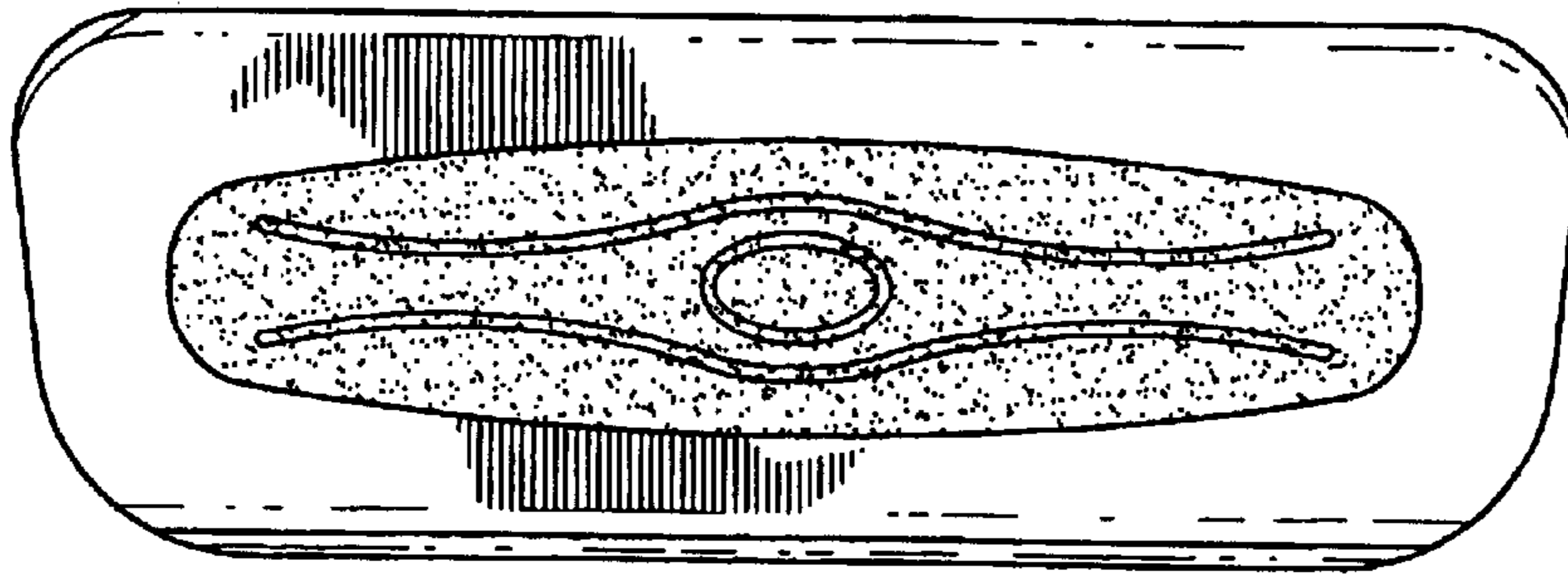


FIG. 2

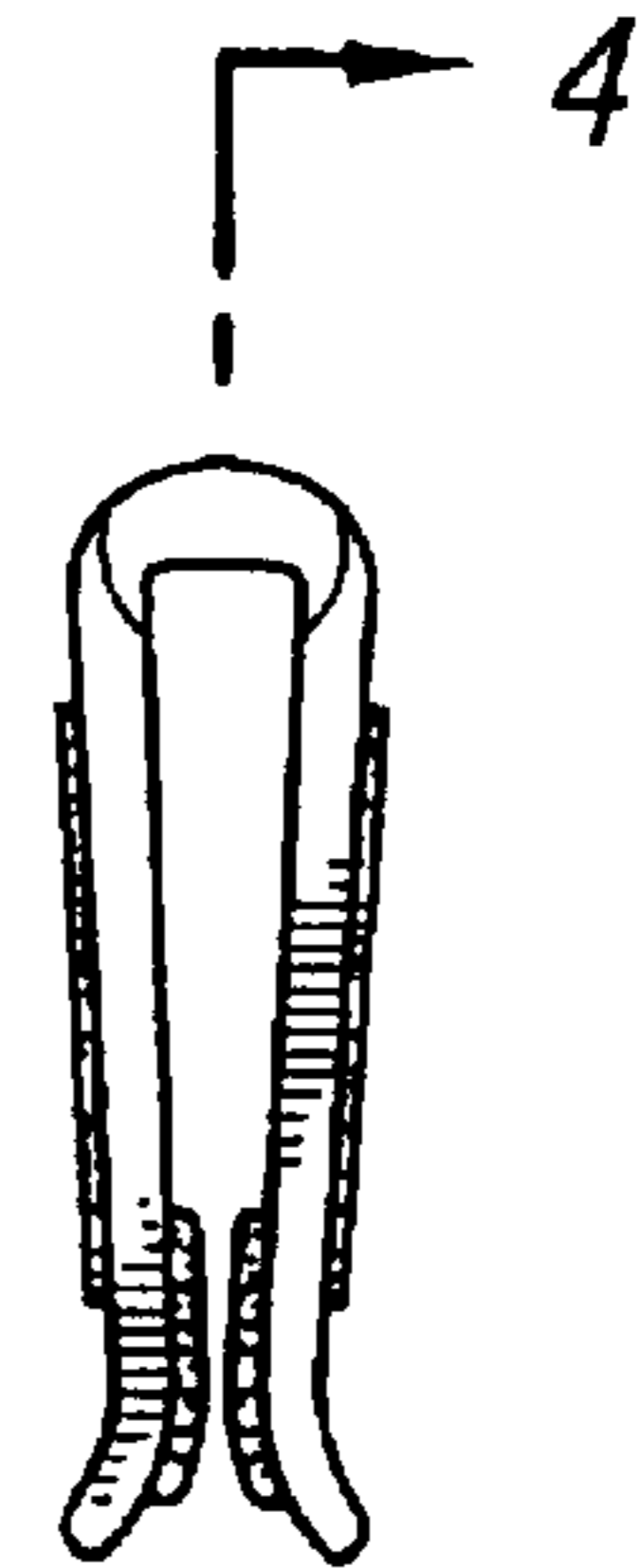


FIG. 3

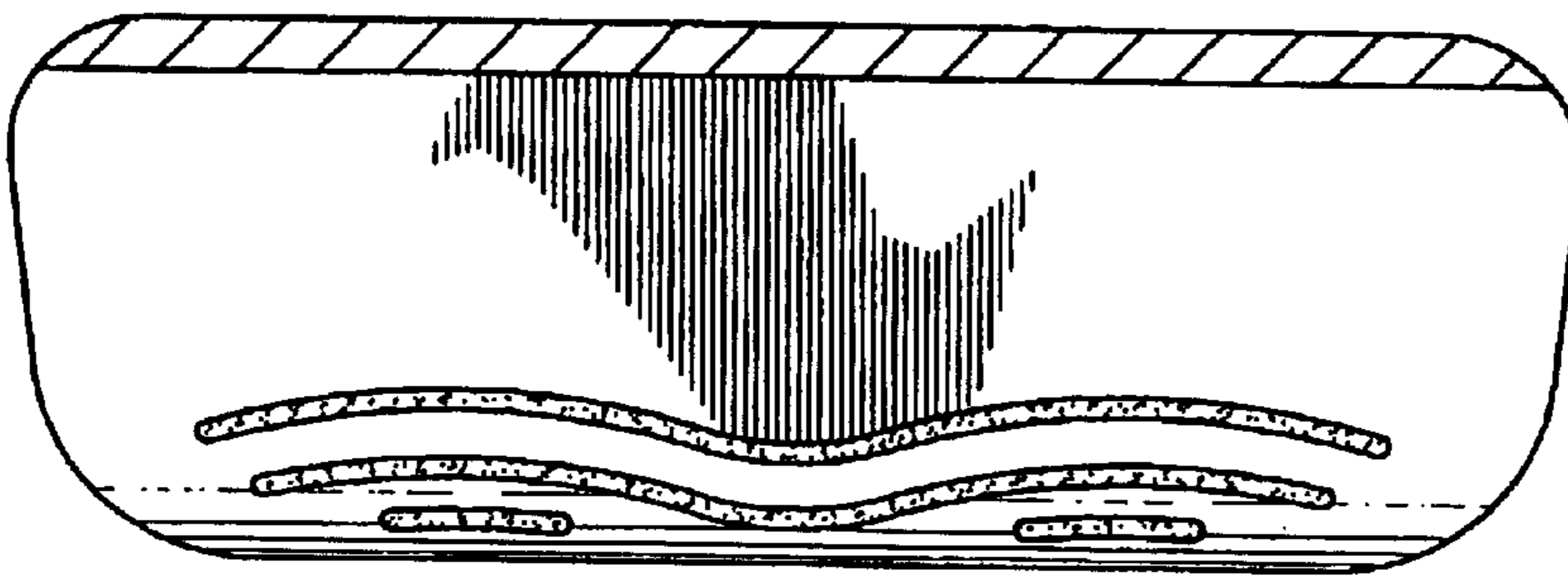


FIG. 4

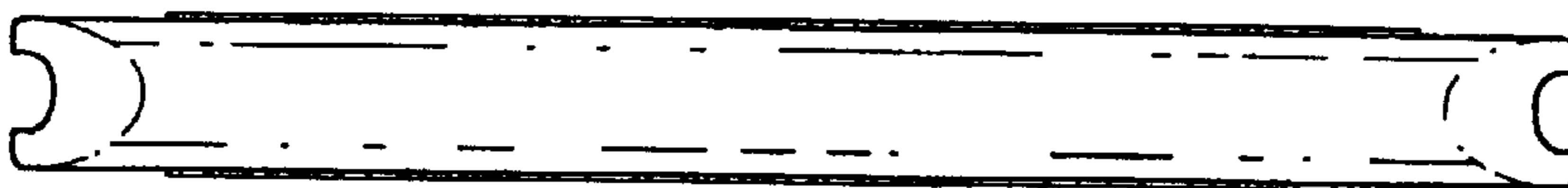


FIG. 5

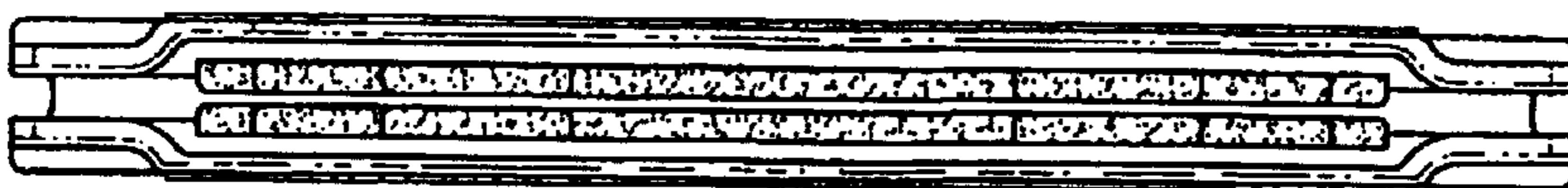


FIG. 6