



US00D539084S

(12) **United States Design Patent**  
**Cundieff**

(10) **Patent No.:** **US D539,084 S**  
(45) **Date of Patent:** **\*\* Mar. 27, 2007**

(54) **CONDIMENT DISPENSER**

**DESCRIPTION**

- (76) Inventor: **Larry Cundieff**, 2539 E. Eightmile Ave., Athol, ID (US) 83801
- (\*\*) Term: **14 Years**
- (21) Appl. No.: **29/259,649**
- (22) Filed: **May 11, 2006**
- (51) **LOC (8) Cl.** ..... **07-06**
- (52) **U.S. Cl.** ..... **D7/401.1**
- (58) **Field of Classification Search** ..... D7/401.1,  
D7/591-599, 679; D9/450, 454, 509-515;  
222/142.1-142.9, 480  
See application file for complete search history.

(56) **References Cited**

**U.S. PATENT DOCUMENTS**

D187,162 S	*	2/1960	Lerner	.....	D7/591
4,193,521 A	*	3/1980	Bounds	.....	222/142.4
D352,899 S	*	11/1994	Molo	.....	D7/401.1
D388,700 S	*	1/1998	Quansah	.....	D7/591

\* cited by examiner

*Primary Examiner*—Terry A. Wallace

(74) *Attorney, Agent, or Firm*—Wells St. John P.S.

(57) **CLAIM**

The ornamental design for a condiment dispenser, as shown and described.

FIG. 1 is a first perspective view of the condiment dispenser of the present invention. The broken lines showing the environment in FIG. 1 are for information purposes only, and form no part of the claimed design.

FIG. 2 is a second perspective view taken from a position opposite to that seen in FIG. 1. Again, the broken lines showing the environment in FIG. 2 are for information purposes only, and form no part of the claimed design.

FIG. 3 is a first side elevation view of the condiment dispenser of the present invention. The broken lines showing the environment in FIG. 3 are for information purposes only, and form no part of the claimed design.

FIG. 4 is a second side elevation view taken from a position opposite to that shown in FIG. 3. Again, the broken lines showing the environment in FIG. 4 are for information purposes only, and form no part of the claimed design.

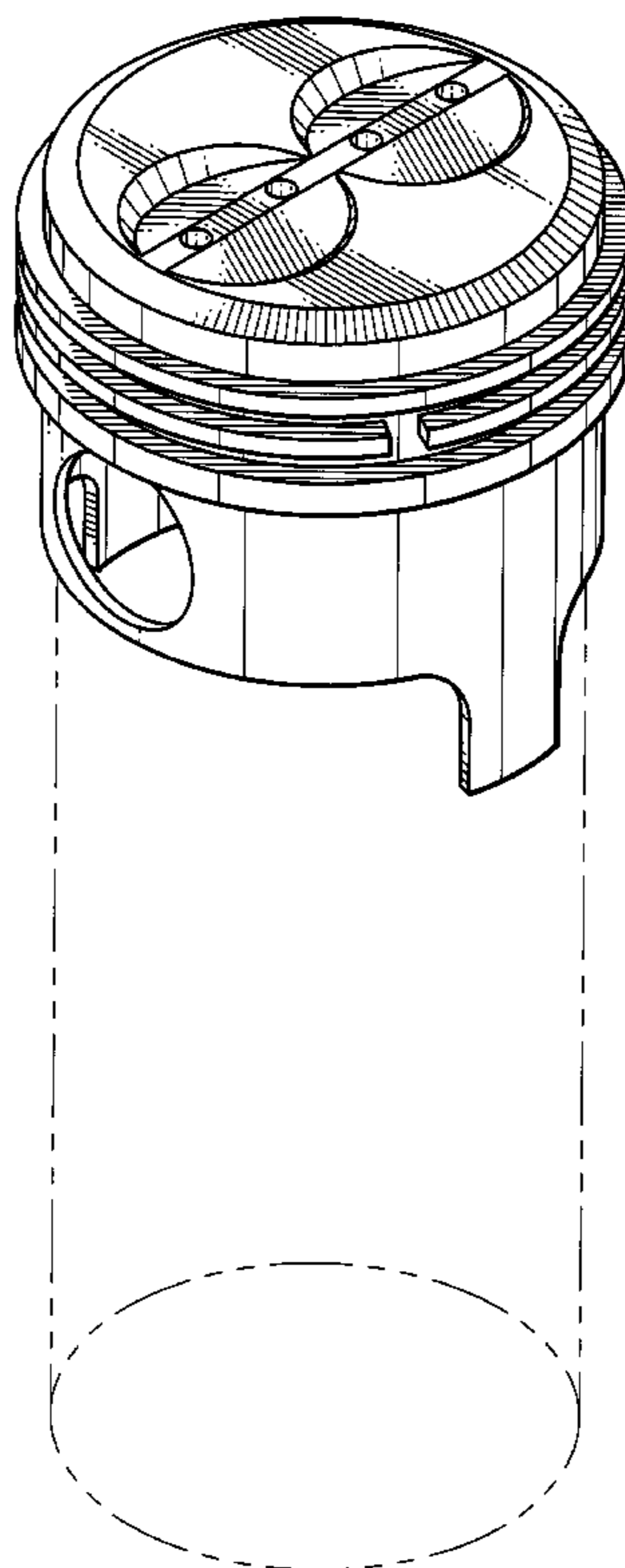
FIG. 5 is a third side elevation view taken from a position about 90 degrees offset from that shown in FIG. 4. The broken lines showing the environment in FIG. 5 are for information purposes only, and form no part of the claimed design.

FIG. 6 is a fourth side elevation view taken from a position opposite to that shown in FIG. 5. The broken lines showing the environment in FIG. 6 are for information purposes only, and form no part of the claimed design.

FIG. 7 is a bottom plan view of the condiment dispenser of the present invention; and,

FIG. 8 is a top plan view of the condiment dispenser of the present invention.

**1 Claim, 7 Drawing Sheets**



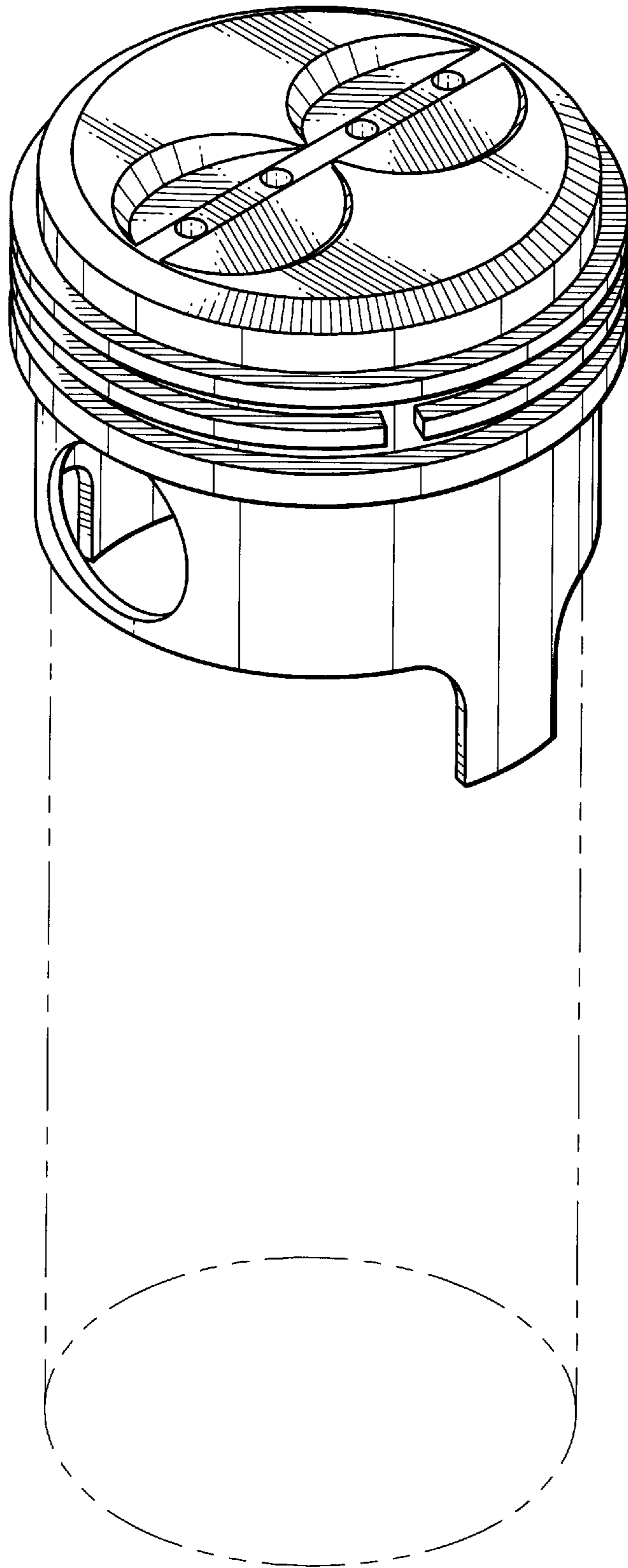


FIG. 1

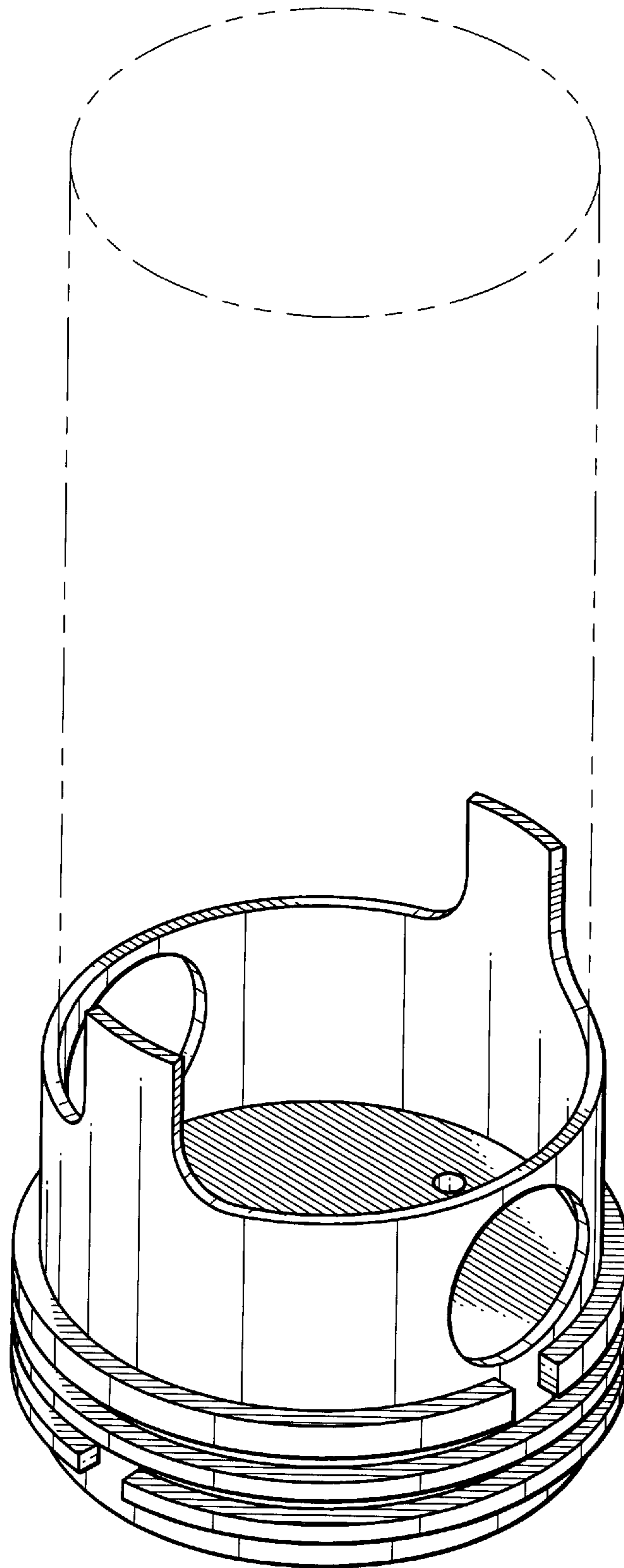
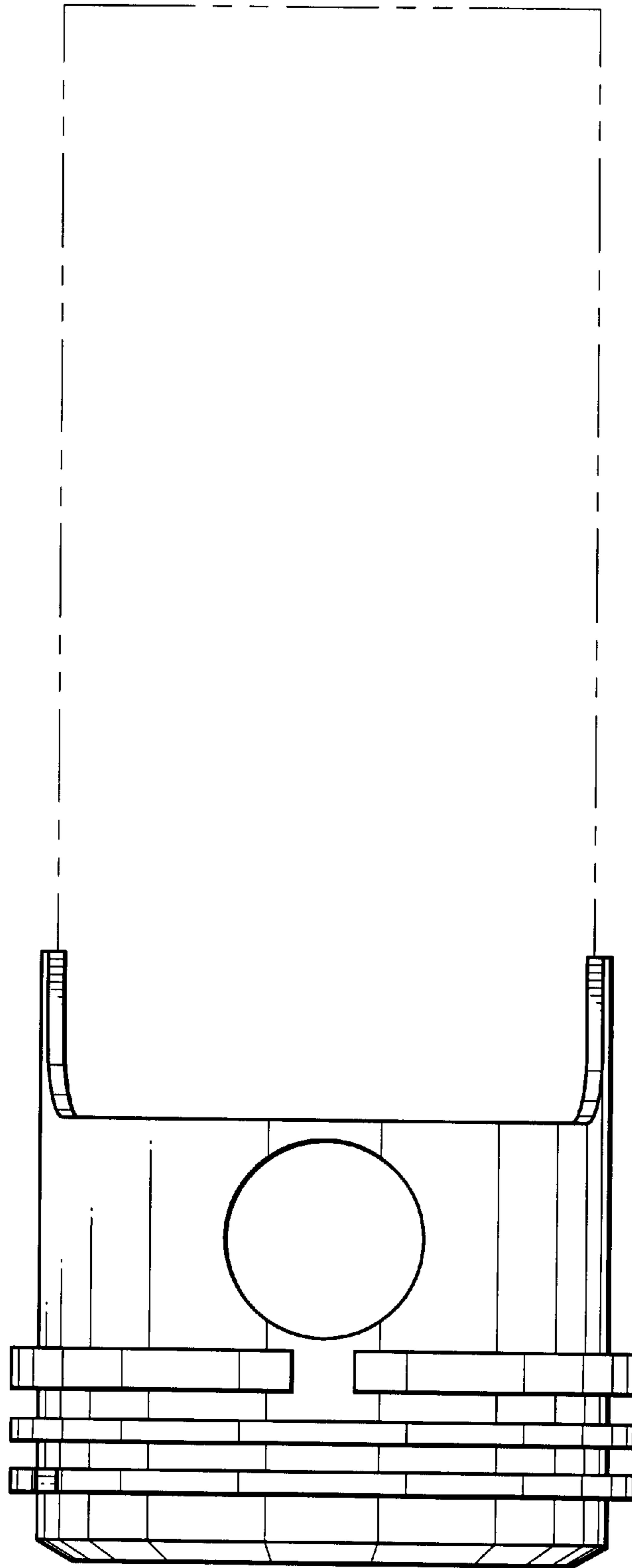
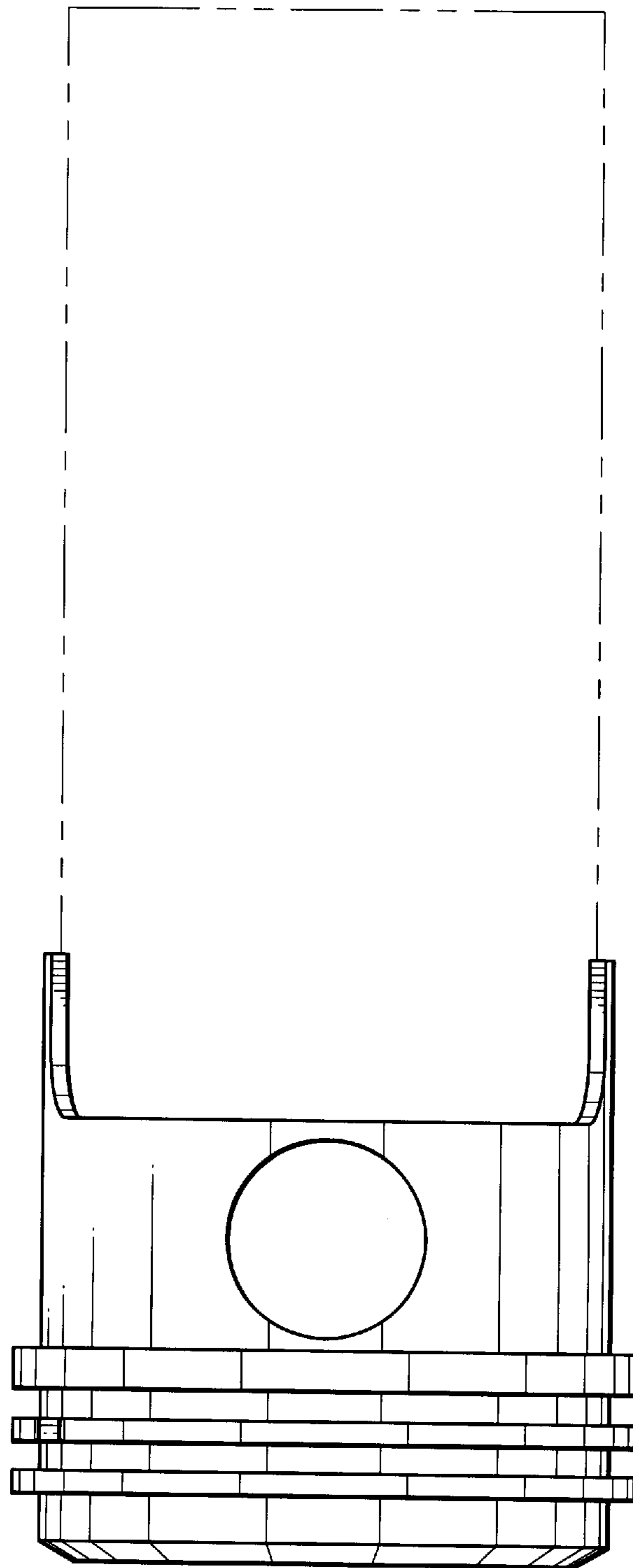


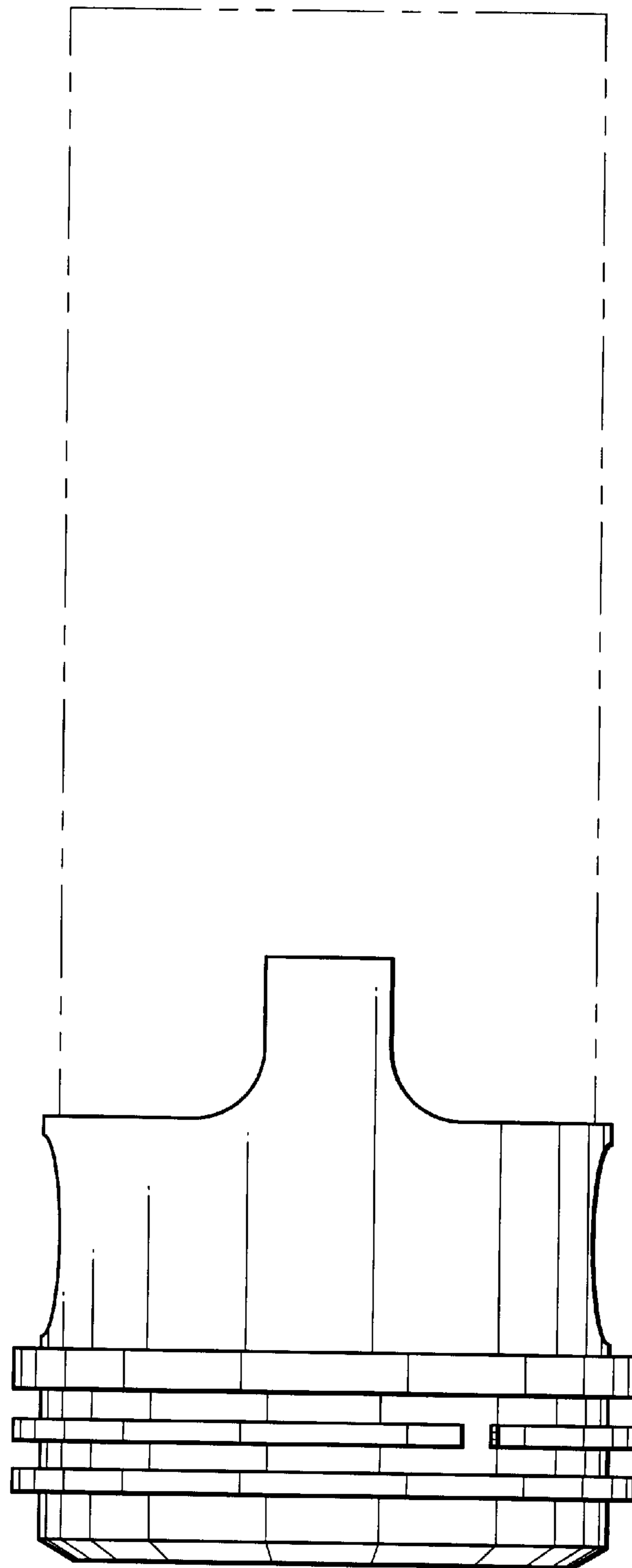
FIG. 2



*FIG. 3*



*FIG. 4*



*FIG. 5*

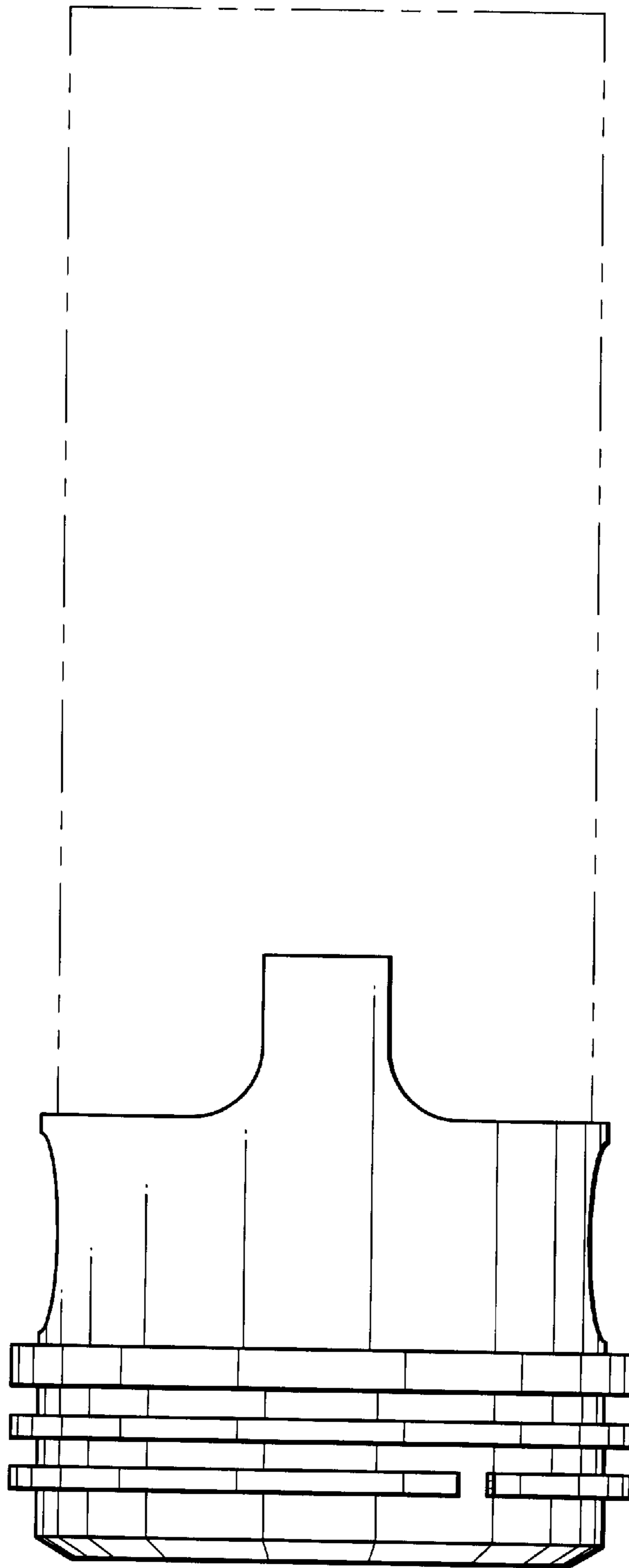


FIG. 6

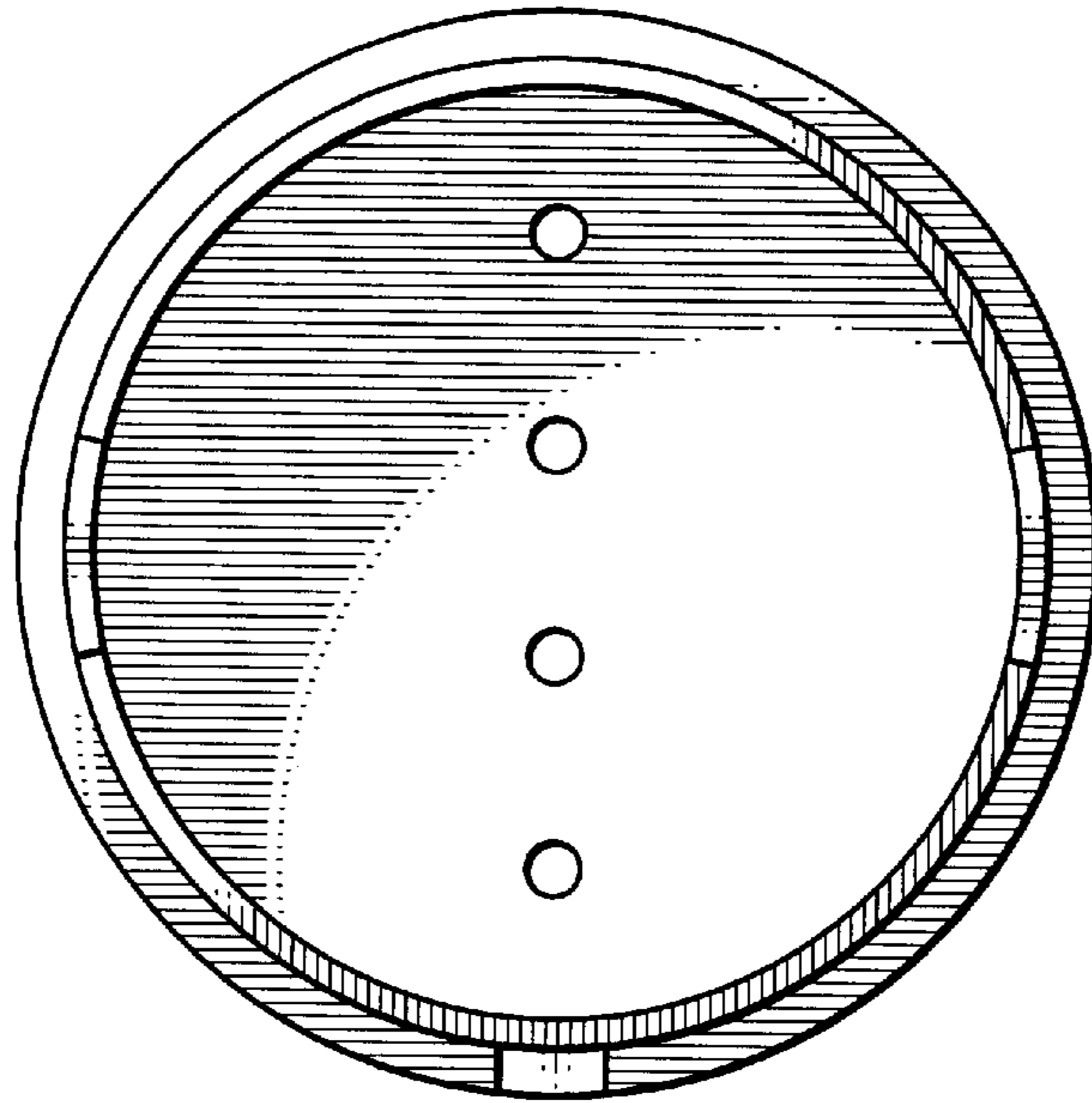


FIG. 7

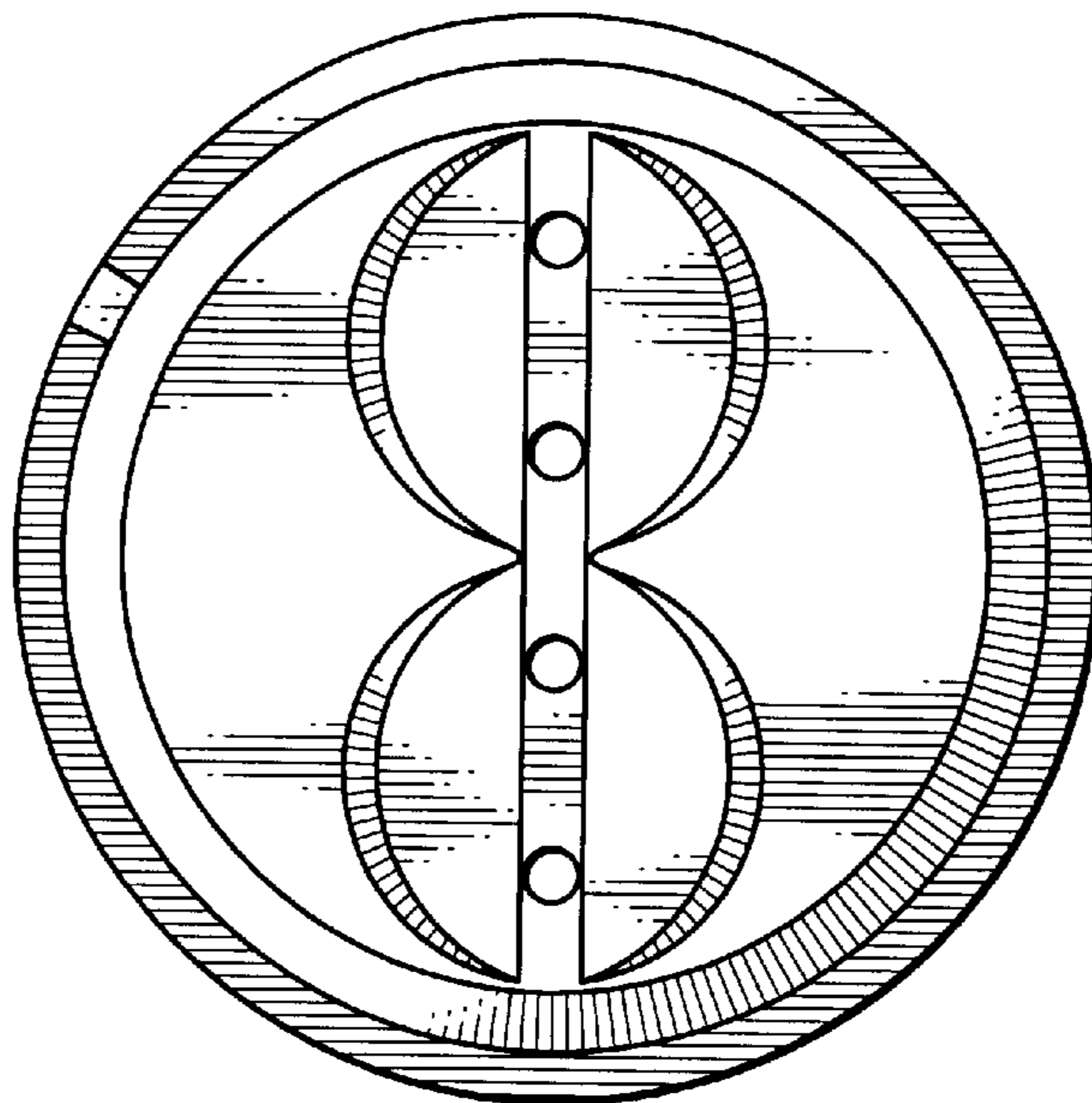


FIG. 8