



US00D539078S

(12) **United States Design Patent**
Anderson et al.

(10) **Patent No.:** **US D539,078 S**

(45) **Date of Patent:** **** Mar. 27, 2007**

(54) **VENTED BAFFLE FOR FOOD WASTE
DISPOSER**

3,432,108 A * 3/1969 Enright 241/46.016
3,524,596 A * 8/1970 Smith 241/46.016
6,719,228 B2 4/2004 Berger et al.
7,100,850 B2 9/2006 Farmerie

(75) Inventors: **Scott W Anderson**, Racine, WI (US);
Steven P Hanson, Racine, WI (US)

* cited by examiner

(73) Assignee: **Emerson Electric Co.**, St. Louis, MO
(US)

Primary Examiner—Catherine R. Oliver

(74) *Attorney, Agent, or Firm*—Locke Liddell & Sapp LLP

(**) Term: **14 Years**

(57) **CLAIM**

(21) Appl. No.: **29/251,338**

The ornamental design for a vented baffle for a food waste
disposer, as shown and described.

(22) Filed: **Jan. 6, 2006**

DESCRIPTION

(51) **LOC (8) Cl.** **31-00**

(52) **U.S. Cl.** **D7/375**

(58) **Field of Classification Search** D7/375,
D7/372; 4/DIG. 4, 629, 292, 652; D15/21;
241/46.016, 81, 46.013, 46.014, 46.015,
241/46.018

FIG. 1 is a top perspective view of the vented baffle for food
waste disposal showing our new design;

FIG. 2 is a top perspective view with the baffle rotated about
a quarter-turn from the view shown in FIG. 1.

FIG. 3 is a bottom perspective view.

FIG. 4 a top view.

FIG. 5 is a bottom view; and,

FIG. 6 is a side view.

See application file for complete search history.

(56) **References Cited**

U.S. PATENT DOCUMENTS

2,980,351 A * 4/1961 Greene 241/46.016

1 Claim, 3 Drawing Sheets

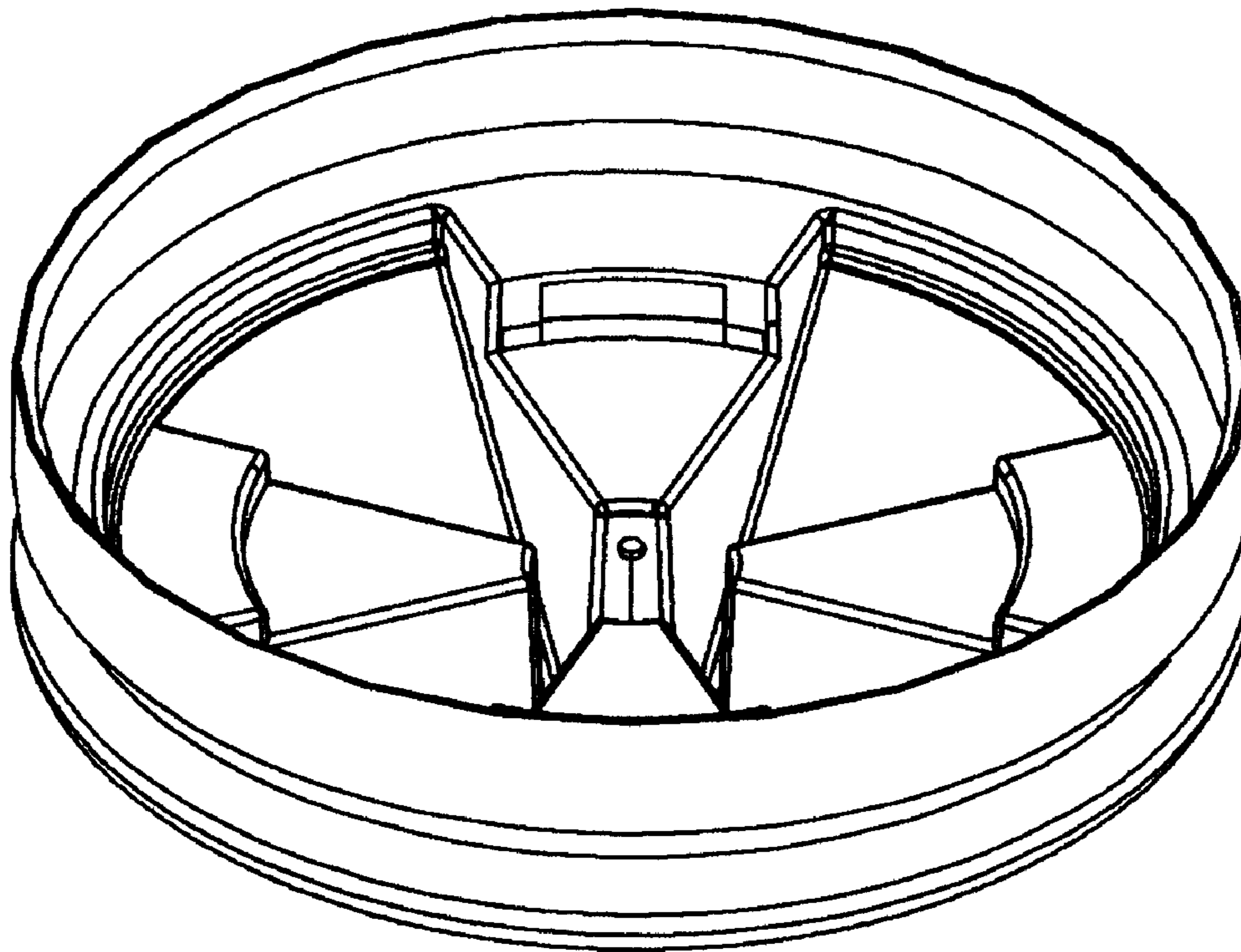


FIG. 1

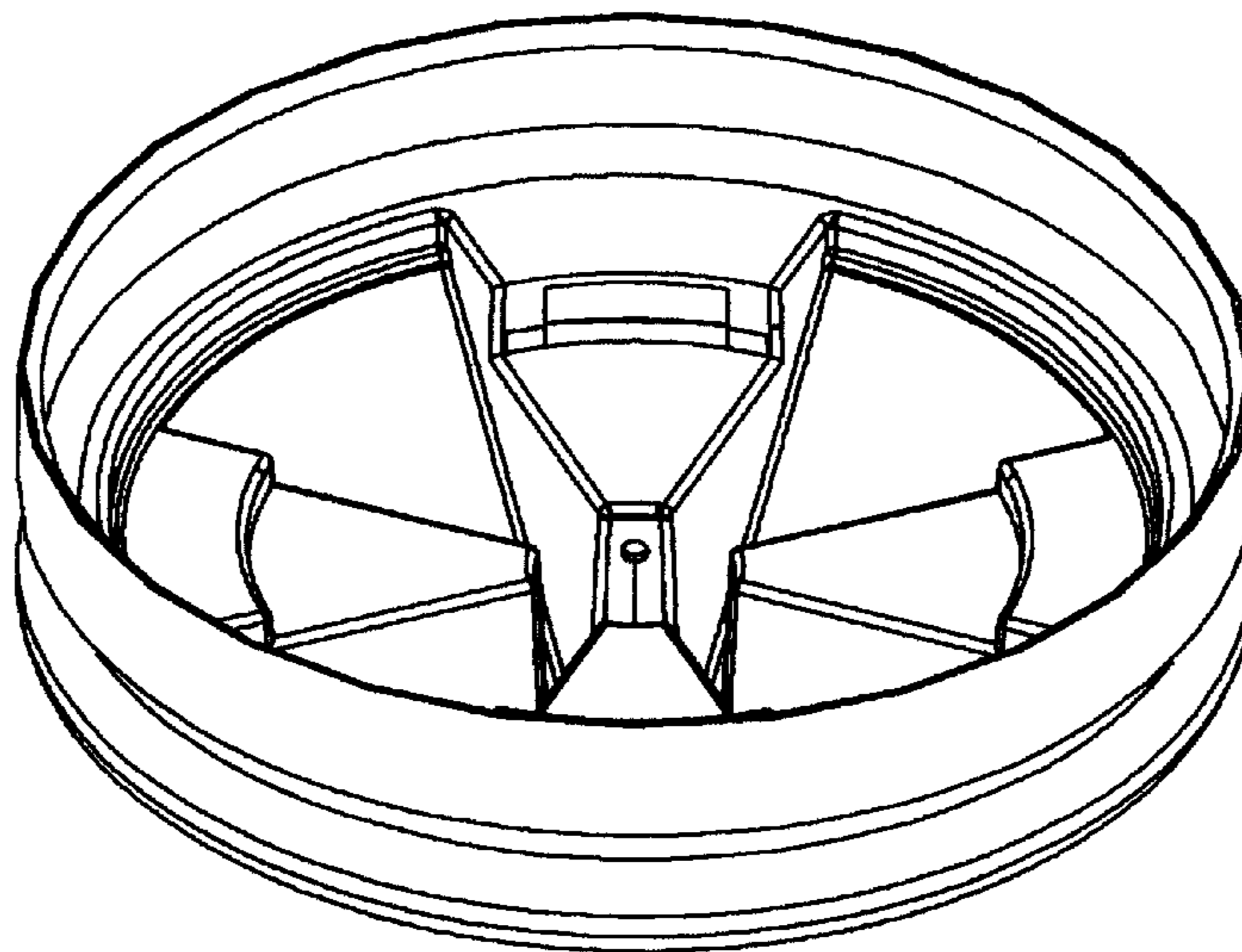


FIG. 2

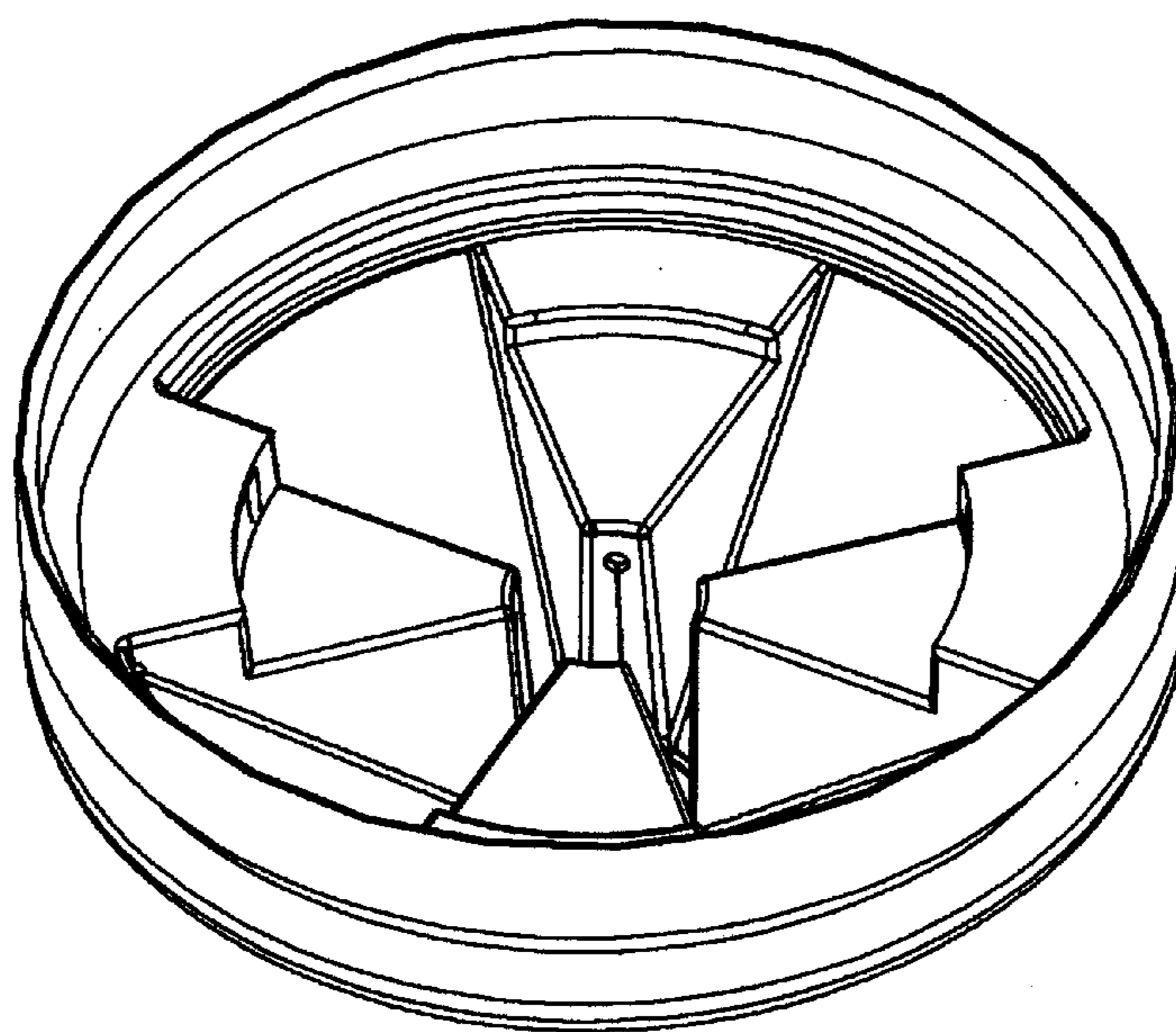


FIG. 3

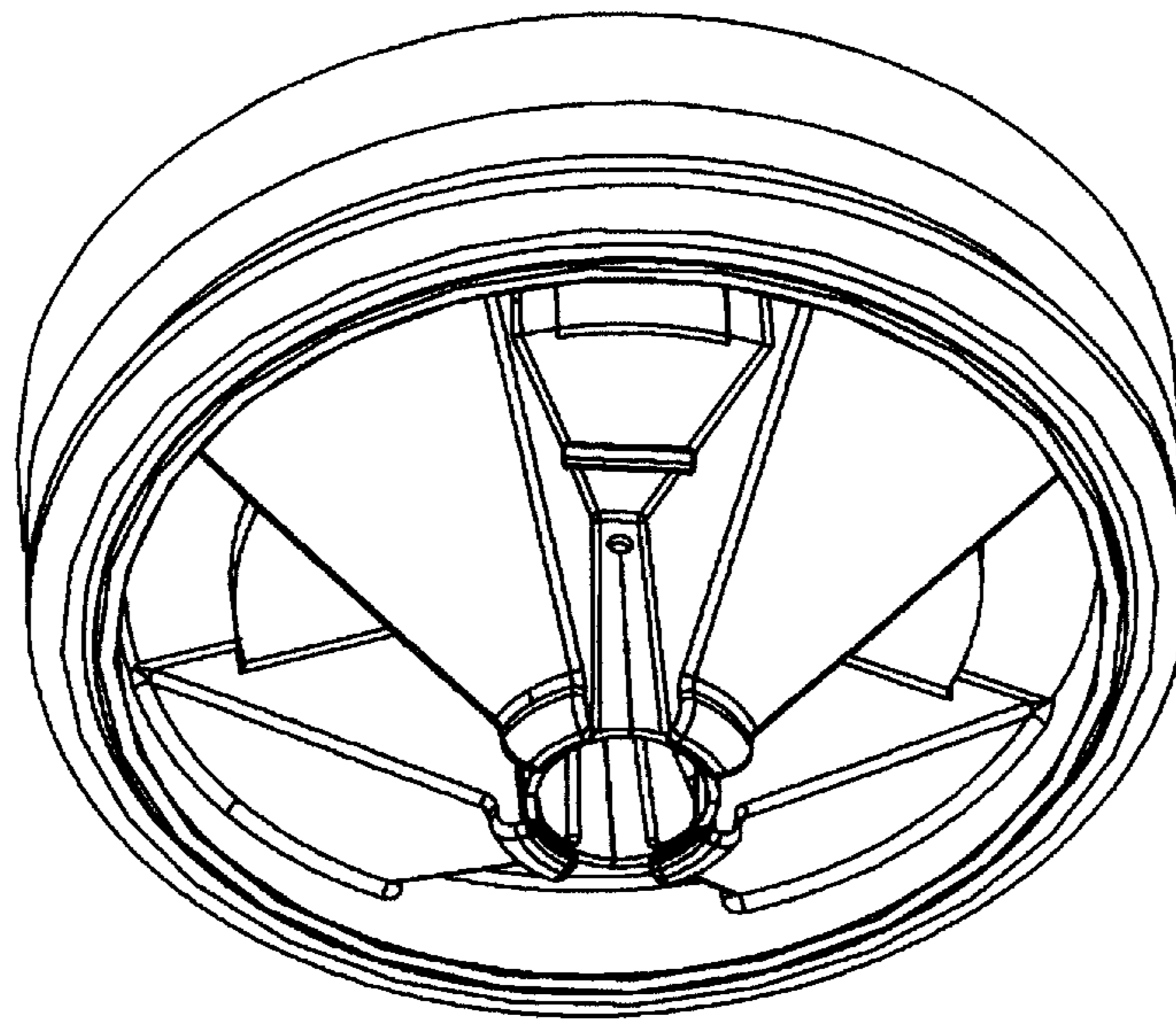


FIG. 4

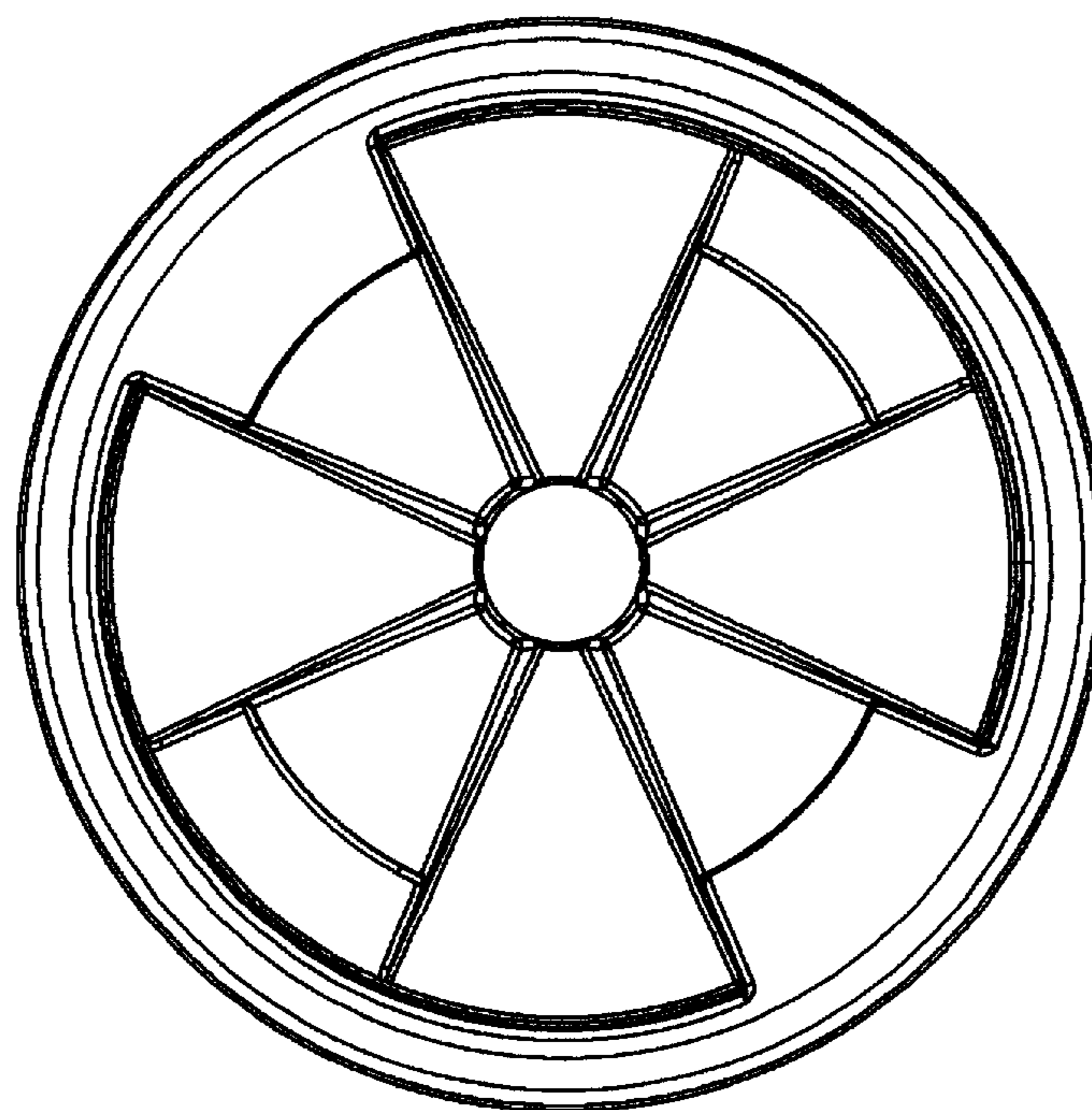


FIG. 5

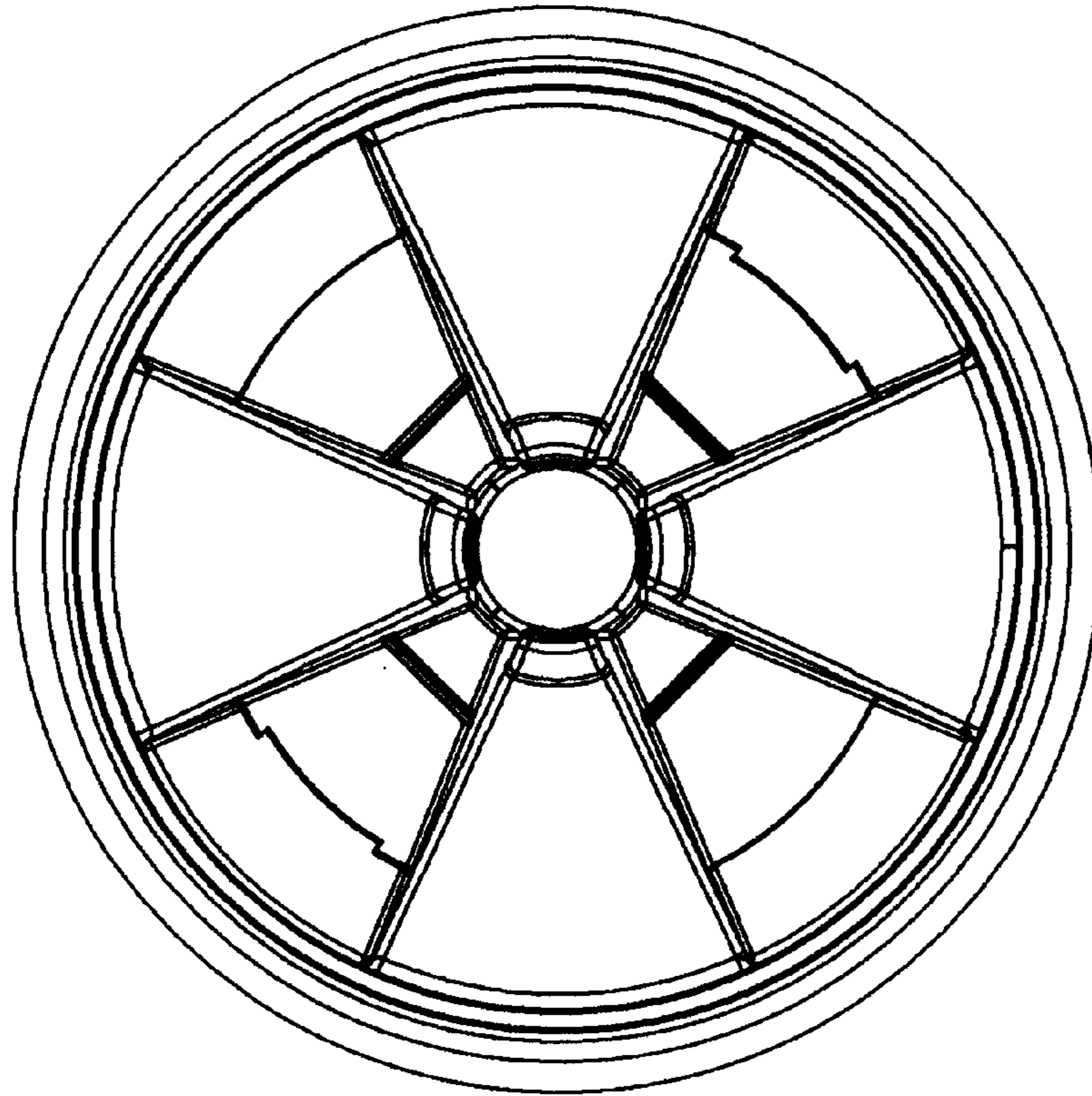


FIG. 6

