



US00D539077S

(12) **United States Design Patent**
Roussard

(10) **Patent No.:** **US D539,077 S**
(45) **Date of Patent:** **** Mar. 27, 2007**

- (54) **PRESSURE COOKER**
- (75) Inventor: **Philippe Roussard**, Is-sur-Tille (FR)
- (73) Assignee: **SEB**, Selongey (FR)
- (**) Term: **14 Years**
- (21) Appl. No.: **29/265,075**
- (22) Filed: **Aug. 25, 2006**

Related U.S. Application Data

- (62) Division of application No. 29/206,060, filed on May 26, 2004.

(30) **Foreign Application Priority Data**

Nov. 28, 2003 (FR) 03 5861

- (51) **LOC (8) Cl.** **07-02**
- (52) **U.S. Cl.** **D7/358**
- (58) **Field of Classification Search** D7/323,
D7/354-361; 99/324-330, 337-340, 357,
99/403, 413; 220/203.01, 203.07, 208, 303,
220/316, 573.1, 573.2, 573.3, 573.4, 573.5,
220/366.1, 912

See application file for complete search history.

(56) **References Cited**

U.S. PATENT DOCUMENTS

- D156,298 S * 11/1949 Wagner D7/358
- 2,599,072 A 6/1952 Schweiso
- D253,388 S 11/1979 Boldt et al.
- D256,759 S 9/1980 Johnson
- D263,782 S * 4/1982 Jackson et al. D7/358
- D303,064 S * 8/1989 Vasudeva D7/358
- D329,570 S 9/1992 Gerlach
- D347,963 S 6/1994 Pretzsch
- 5,370,259 A 12/1994 Cartigny
- D365,494 S * 12/1995 Roussard D7/358
- D370,381 S * 6/1996 Roussard D7/358

- D370,382 S * 6/1996 Combe D7/360
- D384,547 S * 10/1997 Roussard et al. D7/358
- D413,483 S * 9/1999 Roussard D7/358
- 6,105,810 A 8/2000 Daenen et al.
- D432,349 S * 10/2000 Jo D7/358
- D433,273 S * 11/2000 Roussard D7/358
- D448,965 S 10/2001 Jang-Won
- D448,972 S 10/2001 Knorr
- D452,631 S 1/2002 Knorr
- D455,600 S * 4/2002 Barrena D7/358
- D463,201 S 9/2002 Mendelson et al.
- 6,450,361 B1 9/2002 Mendelson et al.
- D465,126 S 11/2002 Mendelson et al.
- 6,523,459 B1 2/2003 Chameroy et al.
- D476,191 S * 6/2003 Josancy D7/358
- D486,352 S * 2/2004 Park D7/358

FOREIGN PATENT DOCUMENTS

FR	DM/062306	12/2002
GB	3004750	6/2002

* cited by examiner

Primary Examiner—Cathron C. Brooks
Assistant Examiner—Ricky Pham

(74) *Attorney, Agent, or Firm*—Browdy and Neimark, PLLC

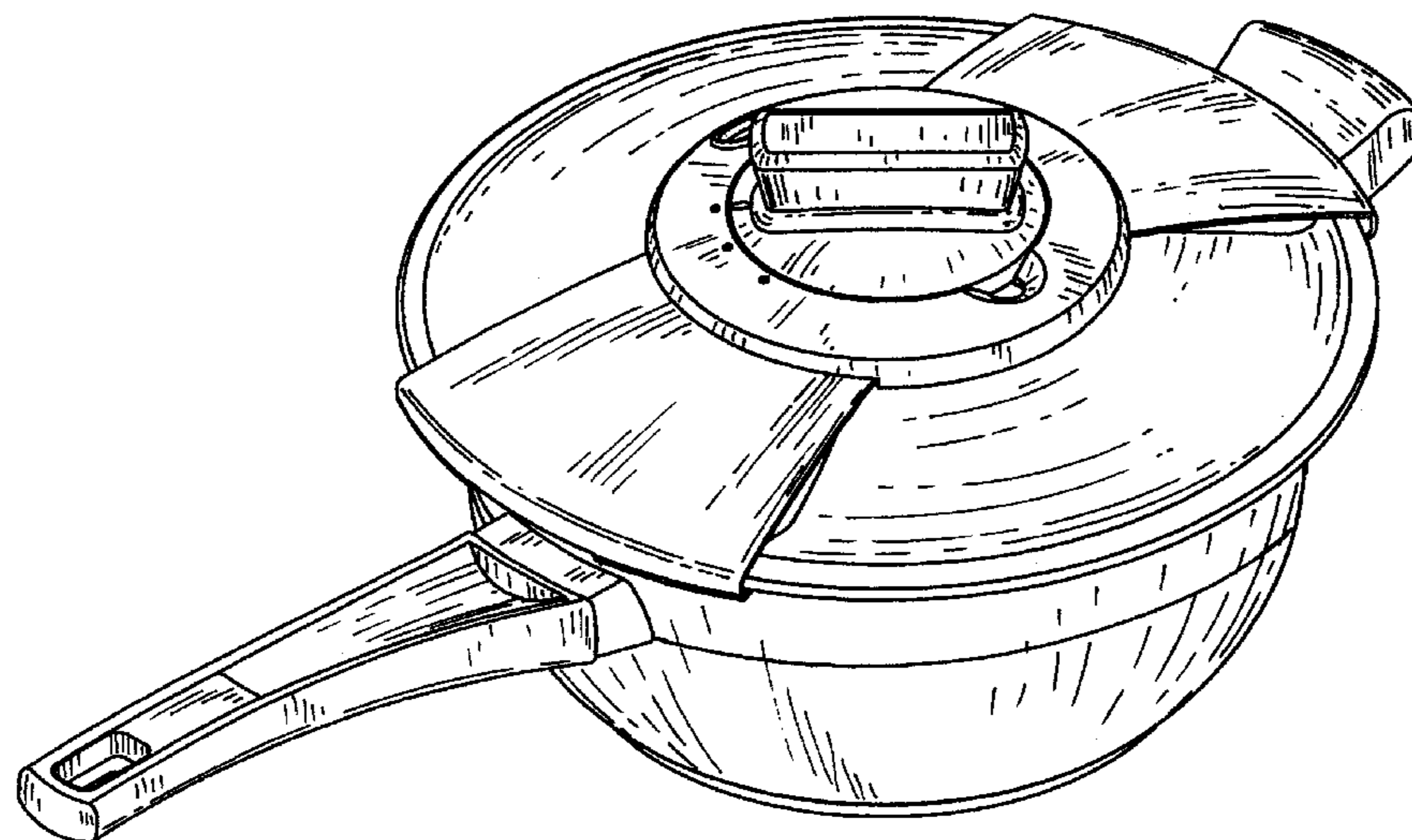
(57) **CLAIM**

The ornamental design for a pressure cooker, as shown.

DESCRIPTION

FIG. 1 is a front elevational view of a pressure cooker in accordance with the present design;
 FIG. 2 is a rear elevational view thereof;
 FIG. 3 is a side elevational view thereof;
 FIG. 4 is a side elevational view thereof of the side opposite to the side shown in FIG. 3;
 FIG. 5 is a top plan view thereof;
 FIG. 6 is a bottom plan view thereof; and,
 FIG. 7 is a perspective view thereof.

1 Claim, 7 Drawing Sheets



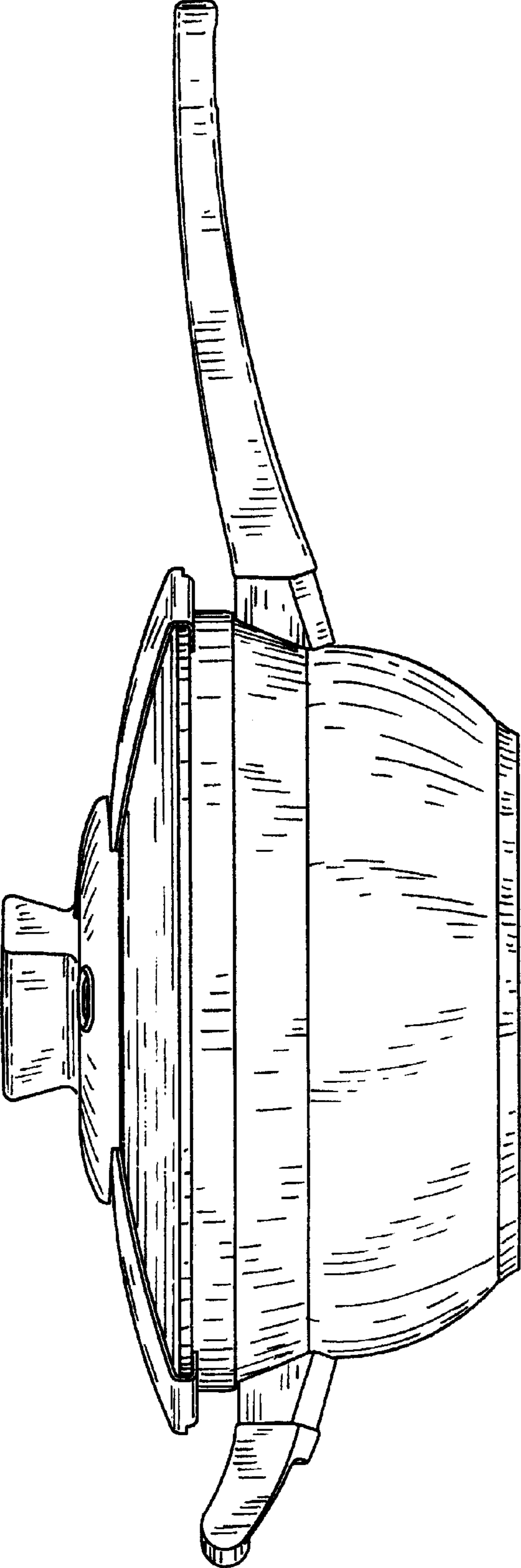


FIG. 1

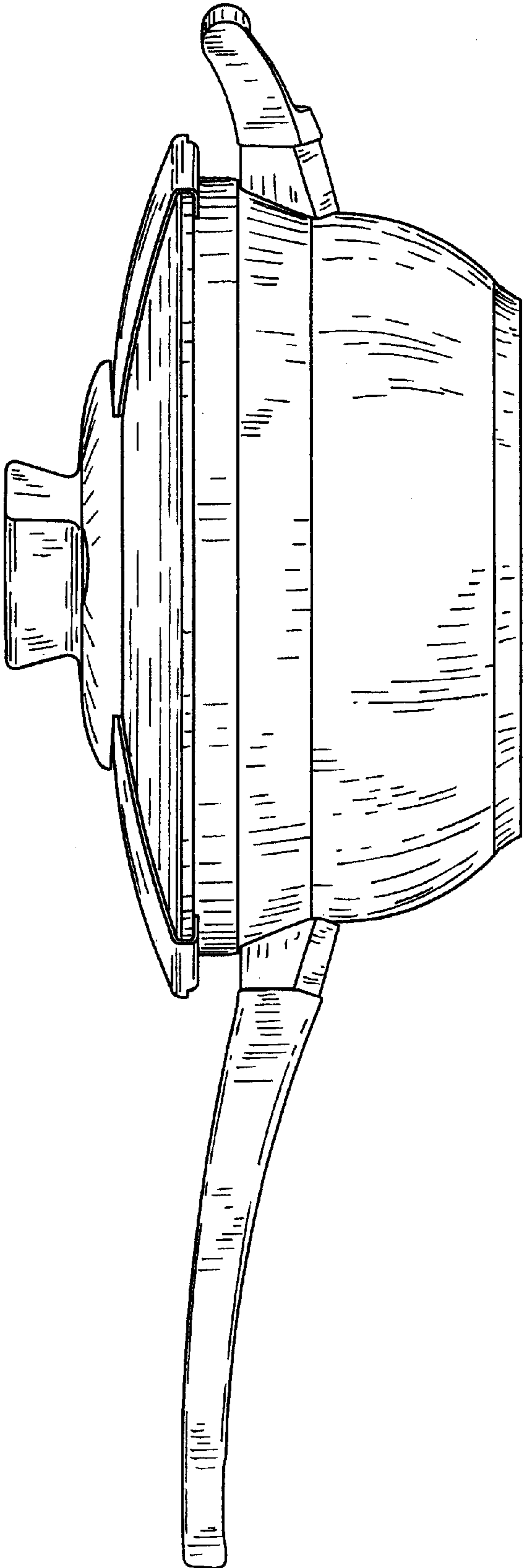


FIG. 2

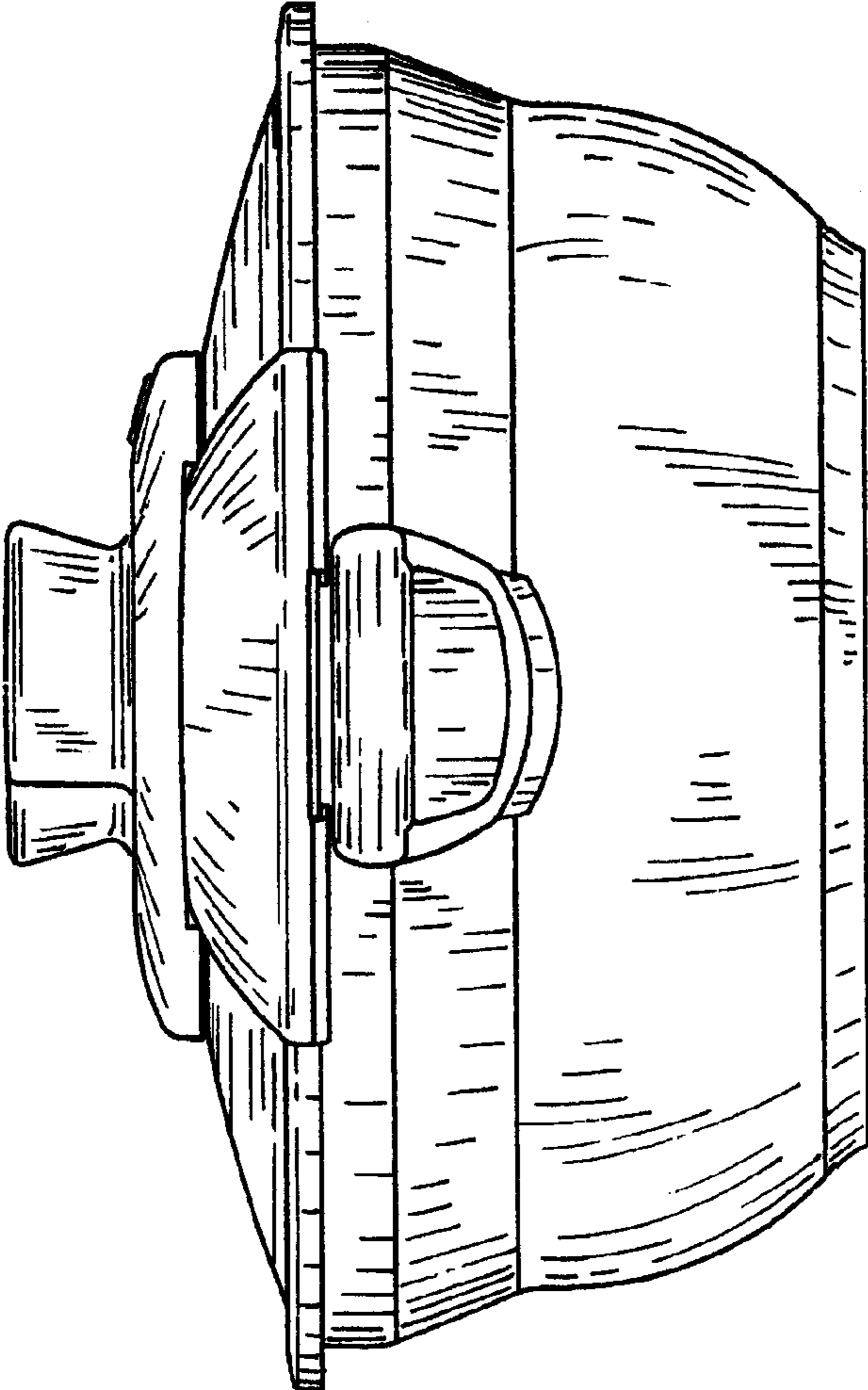


FIG. 3

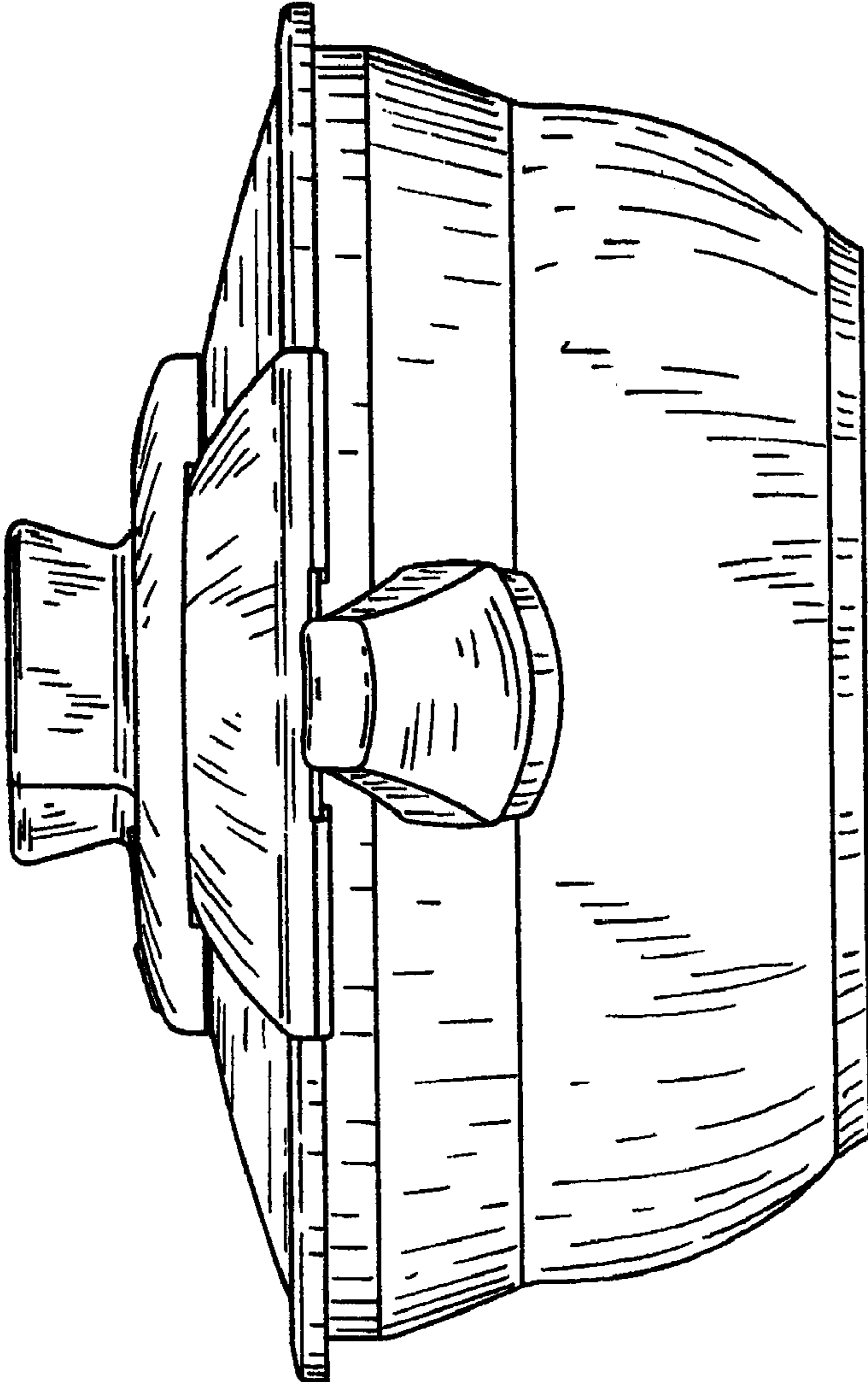


FIG. 4

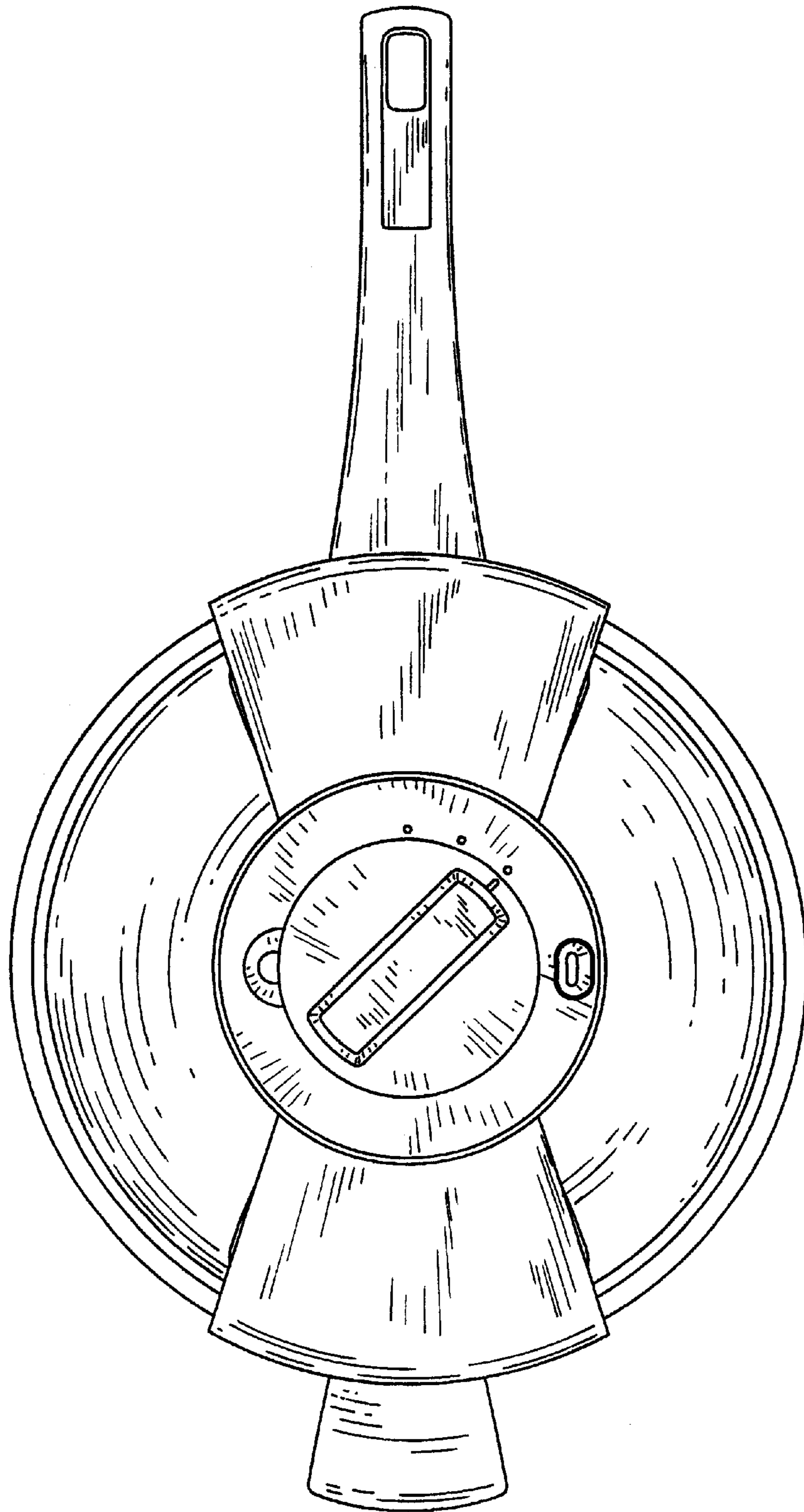


FIG. 5

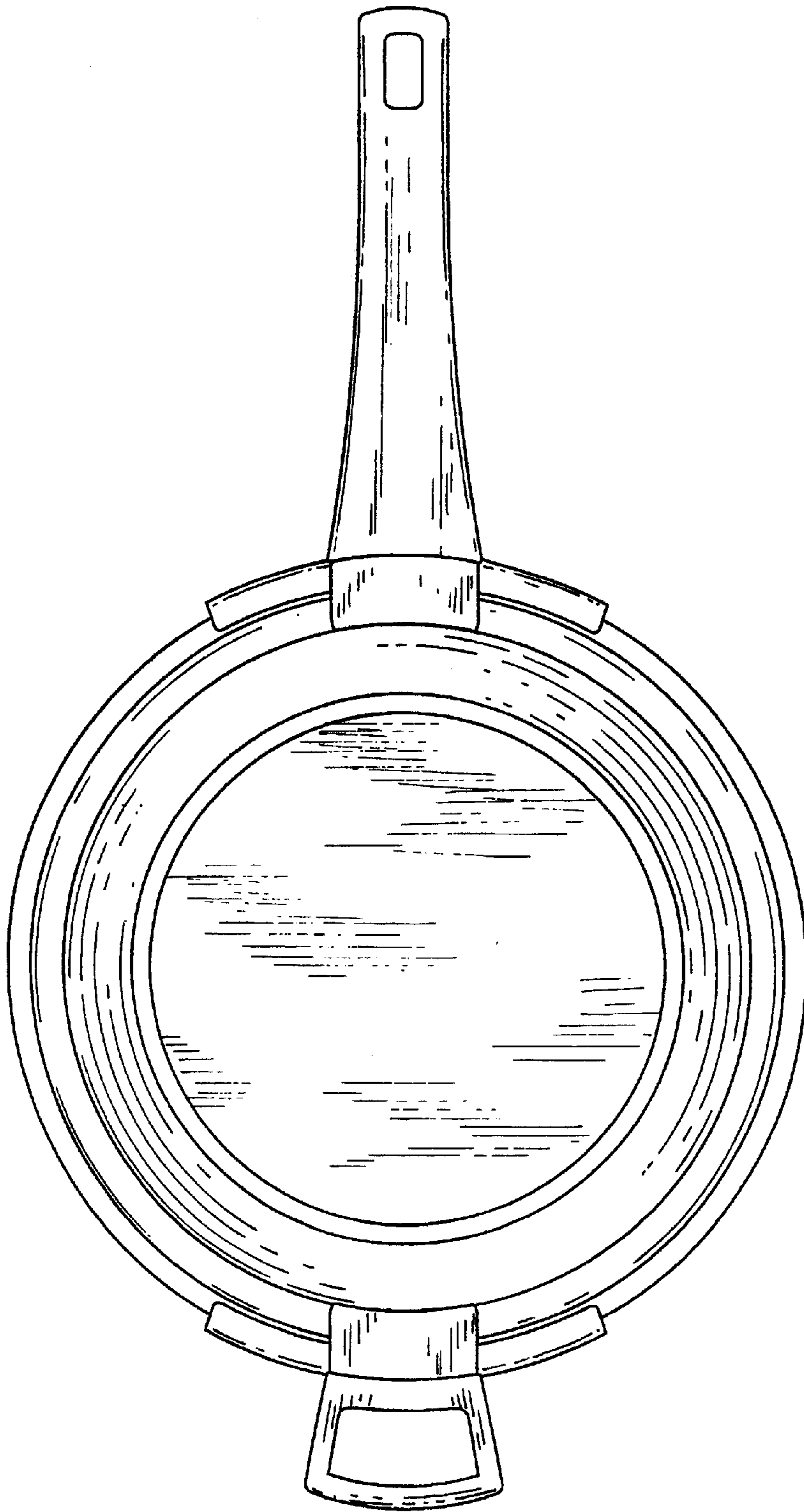


FIG. 6

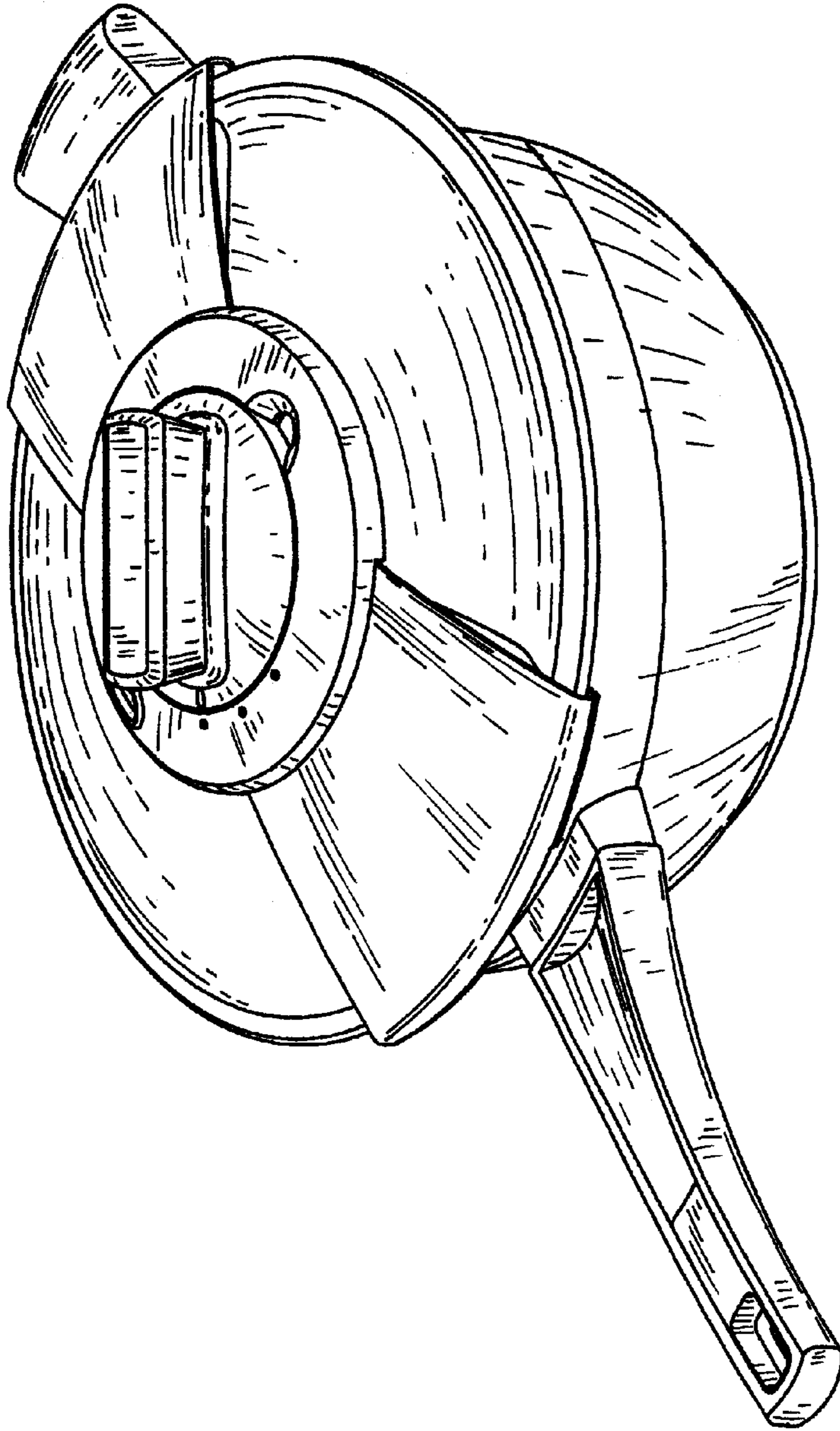


FIG. 7