



US00D539076S

(12) **United States Design Patent**
Rapaz

(10) **Patent No.:** **US D539,076 S**

(45) **Date of Patent:** **** Mar. 27, 2007**

(54) **RECEPTACLE STAND**

(76) Inventor: **Antonio Rapaz**, 9498 Tupper Street,
Chilliwack, BC (CA), V2P 4G4

(**) Term: **14 Years**

(21) Appl. No.: **29/247,887**

(22) Filed: **Jul. 18, 2006**

(51) **LOC (8) Cl.** **07-02**

(52) **U.S. Cl.** **D7/354**

(58) **Field of Classification Search** D7/323,
D7/393, 354-364, 550.1, 551.1, 552.1, 553.1,
D7/543-548, 554.1-554.4, 558, 601-603,
D7/605-608; 62/457.1, 457.6, 457.9; 99/324,
99/339, 340, 422, 446, 448, 483; 220/573.1-573.4,
220/574, 574.1, 575, 912; 294/172; D9/455,
D9/456; 248/127, 146, 196, 176.2, 346.01-346.03
See application file for complete search history.

(56) **References Cited**

U.S. PATENT DOCUMENTS

D96,747 S * 9/1935 Hadley D7/403
D103,562 S * 3/1937 Cook D9/455
D168,905 S * 2/1953 O'Connell D7/355
D232,564 S * 8/1974 Kissin D30/129

D251,586 S * 4/1979 Levenhagen D9/425
D299,768 S * 2/1989 Windom D30/129
D331,538 S * 12/1992 Fabre D9/455
D340,761 S * 10/1993 Long D23/206
5,957,123 A * 9/1999 Addonizio et al. 126/390.1
D468,580 S * 1/2003 Ruiseco D7/355
6,568,534 B2 * 5/2003 Zank 206/508
D522,307 S * 6/2006 Mariani et al. D7/355
D523,285 S * 6/2006 Wells, Sr. D7/355

* cited by examiner

Primary Examiner—Cathron C. Brooks

Assistant Examiner—Ricky Pham

(74) *Attorney, Agent, or Firm*—Oyen, Wiggs, Green &
Mutala LLP

(57) **CLAIM**

The ornamental design for a receptacle stand, as shown.

DESCRIPTION

FIG. 1 is a perspective view of a receptacle stand according to the design;

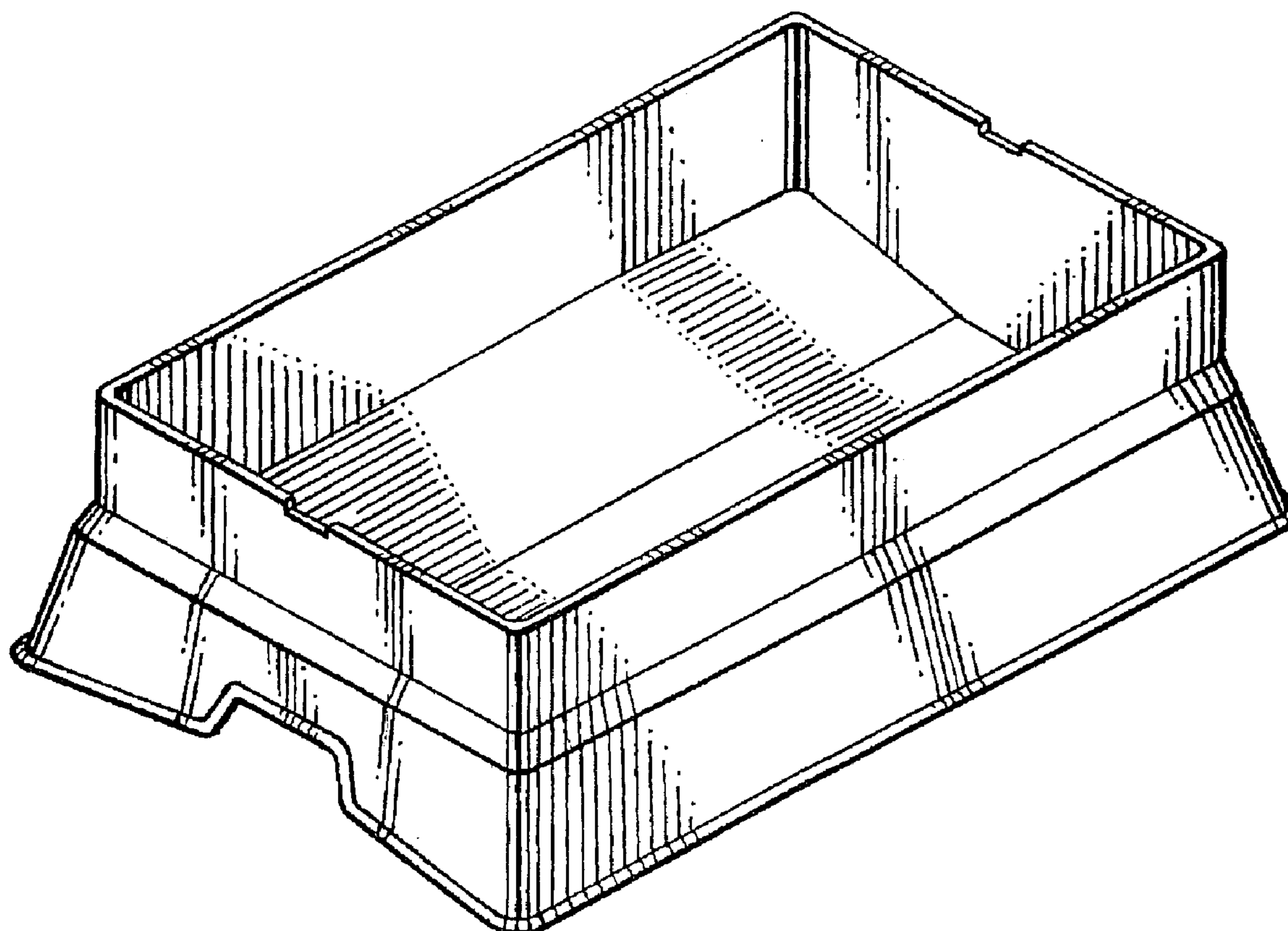
FIG. 2 is a top view thereof;

FIG. 3 is a side view thereof;

FIG. 4 is a bottom view thereof; and,

FIG. 5 is an end view thereof.

1 Claim, 2 Drawing Sheets



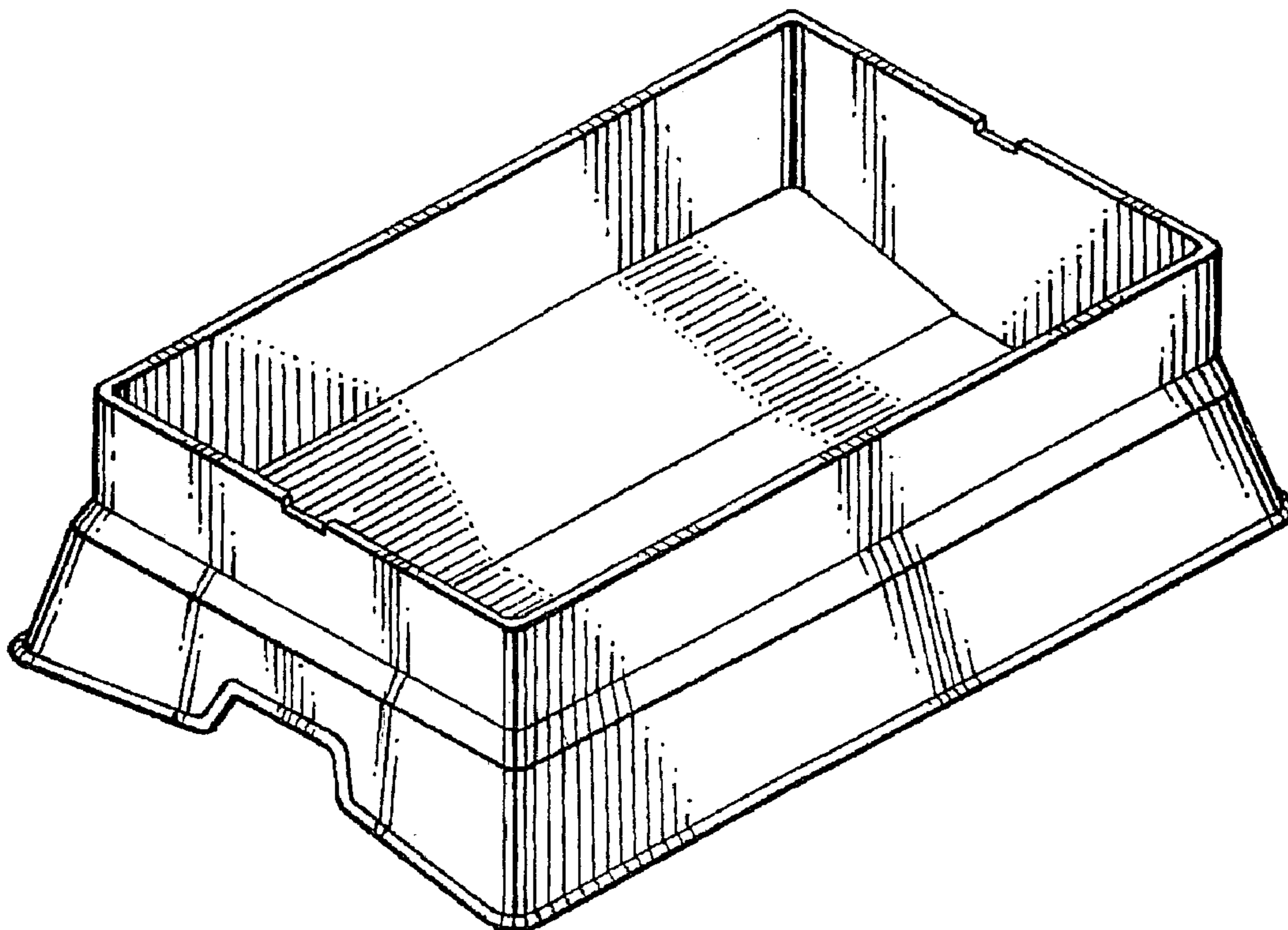


FIG. 1

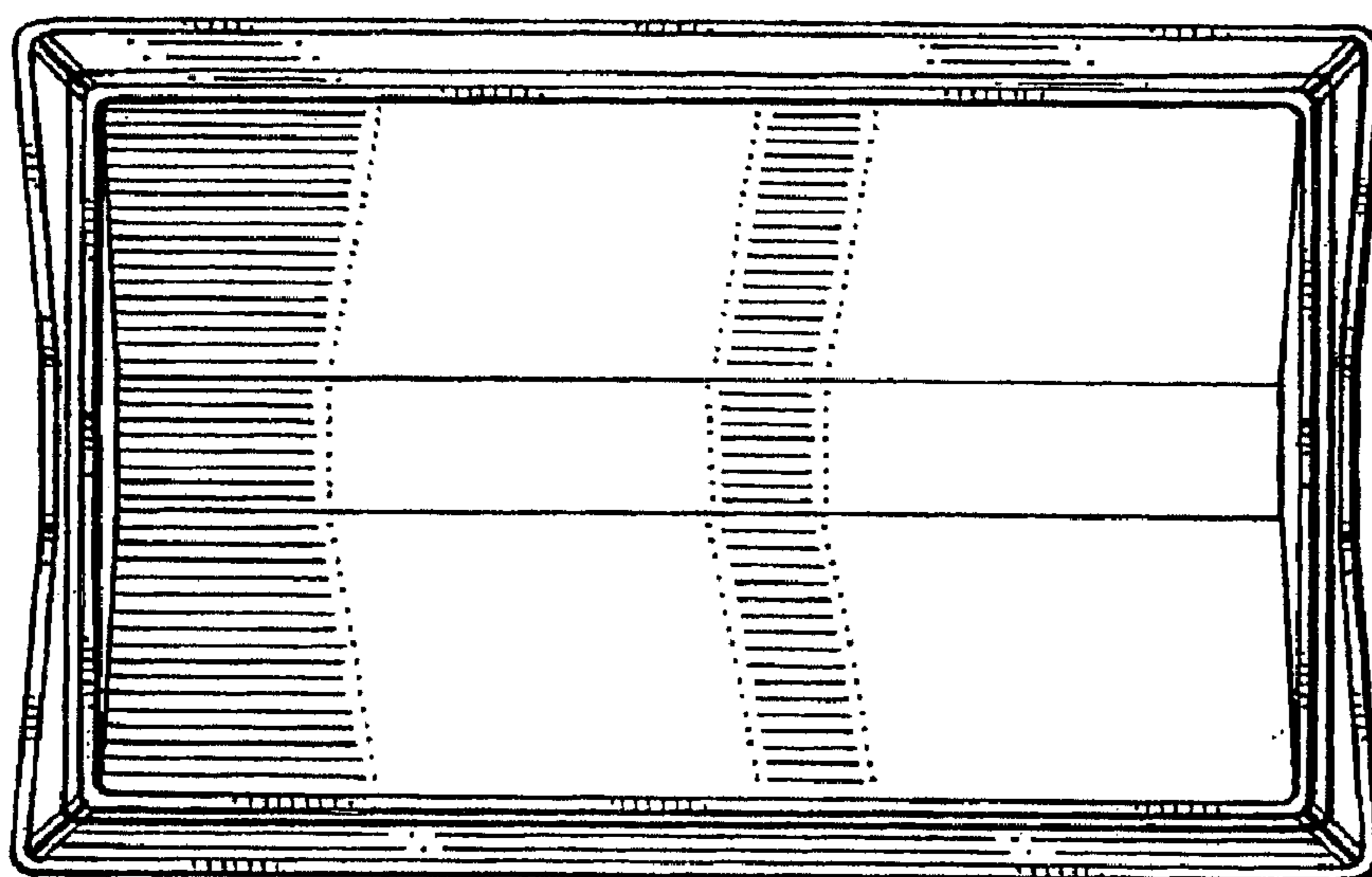


FIG. 2

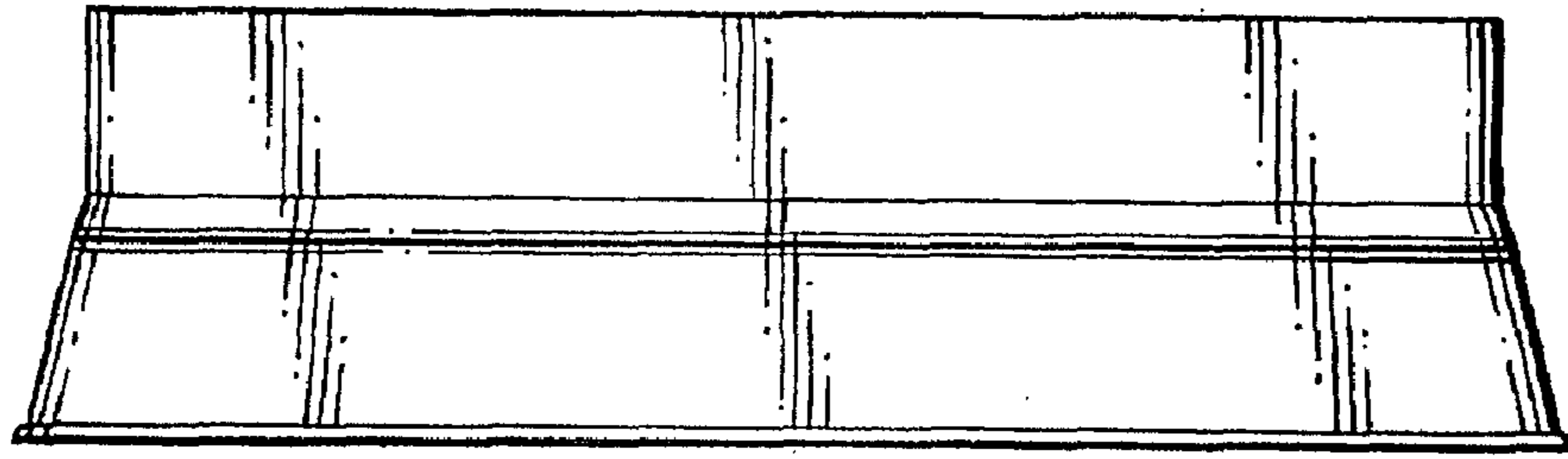


FIG. 3

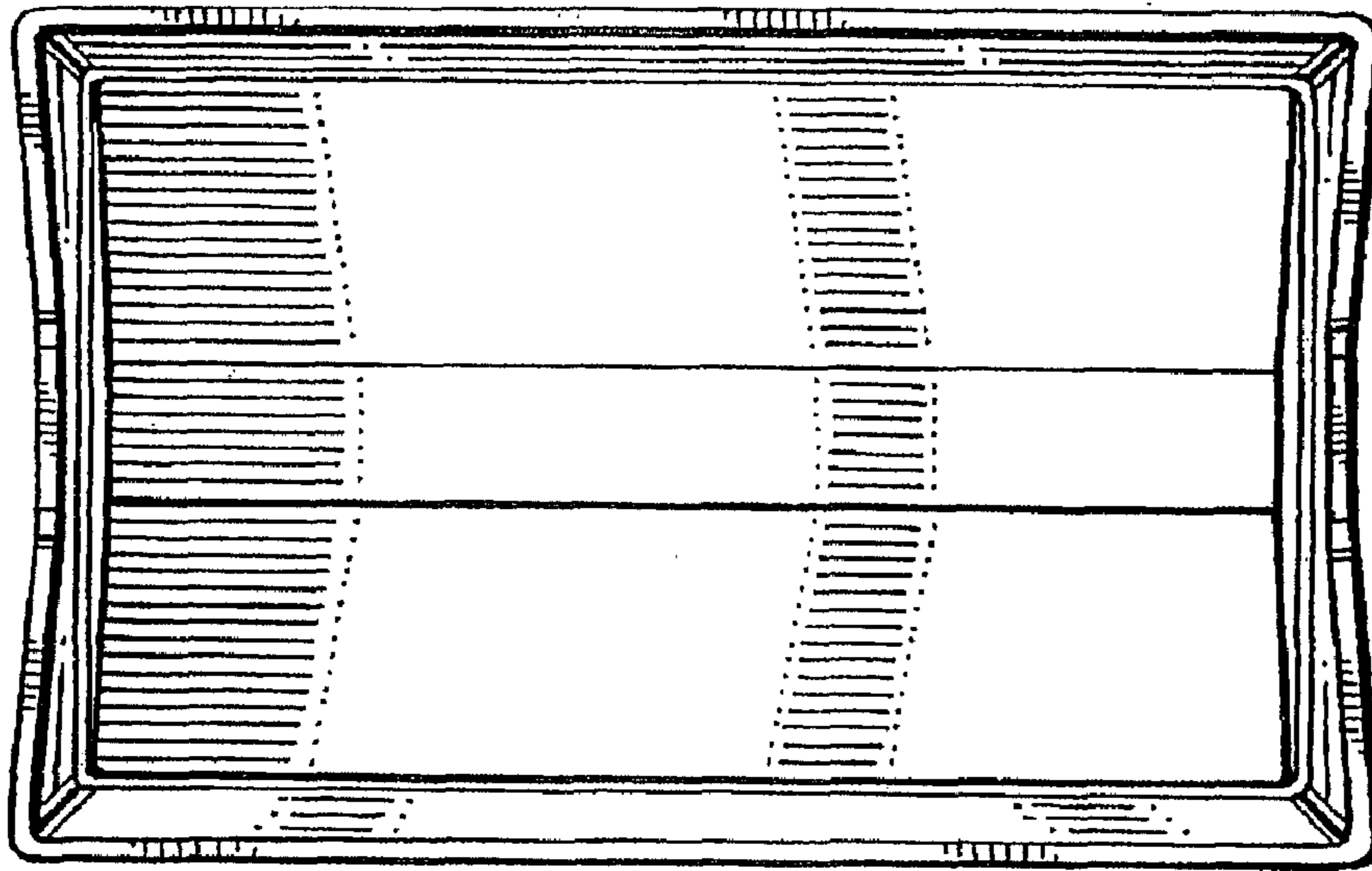


FIG. 4

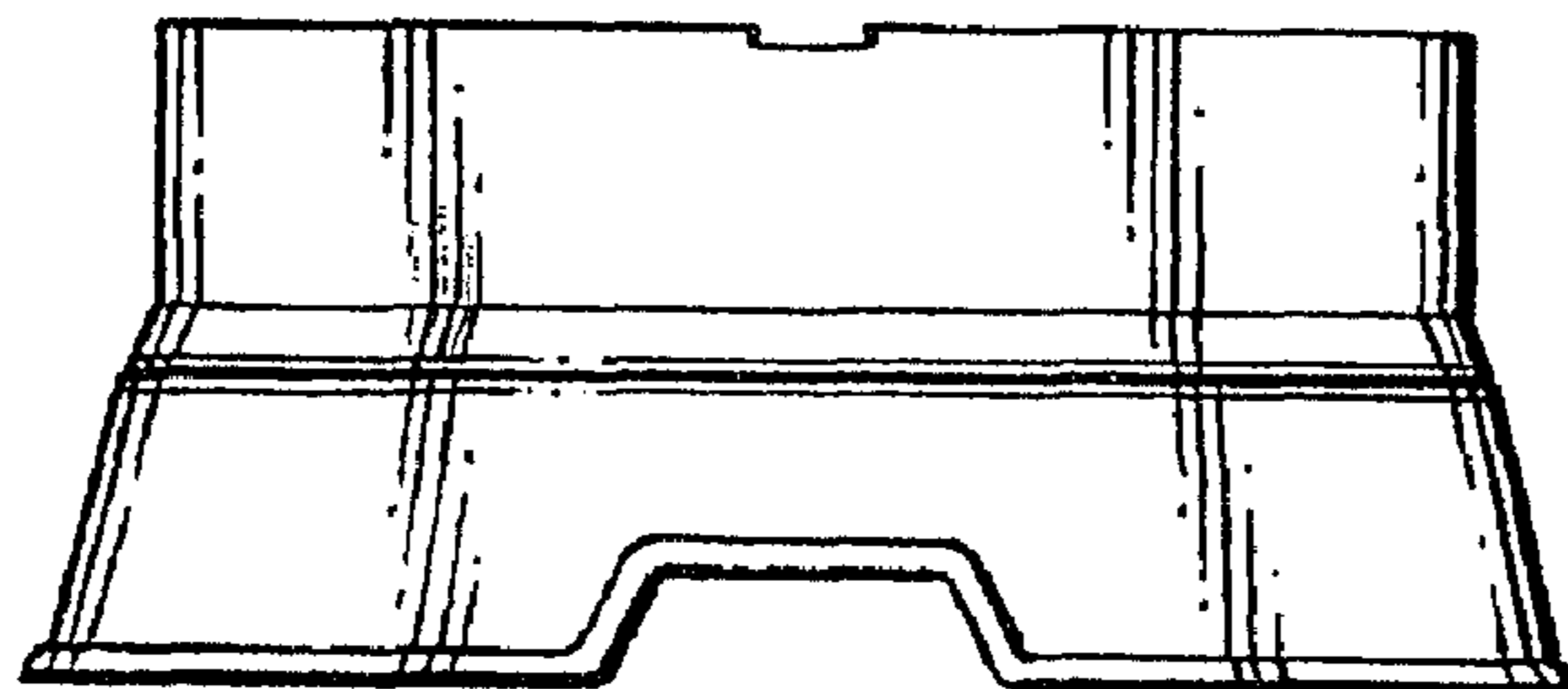


FIG. 5