



US00D539075S

(12) **United States Design Patent**
Schuler

(10) **Patent No.:** **US D539,075 S**

(45) **Date of Patent:** **** Mar. 27, 2007**

(54) **COOKIE SHEET**

(75) Inventor: **Troy Schuler**, Rancho Cucamonga, CA (US)

(73) Assignee: **Bradshaw International, Inc.**, Rancho Cucamonga, CA (US)

(**) Term: **14 Years**

(21) Appl. No.: **29/243,688**

(22) Filed: **Nov. 30, 2005**

(51) **LOC (8) Cl.** **07-02**

(52) **U.S. Cl.** **D7/354**

(58) **Field of Classification Search** D7/323,
D7/354-360, 550.1, 551.1, 552.1, 553.1,
D7/543, 554.1, 554.2, 554.3, 393, 554.4,
D7/602; 99/324, 339, 422, 446, 448; 220/573.1,
220/573.2, 573.3, 574, 573.4, 912; 294/172
See application file for complete search history.

(56) **References Cited**

U.S. PATENT DOCUMENTS

| | | | | | |
|------------|---|---------|-----------------|-------|----------|
| D113,571 S | * | 2/1939 | Reinecke et al. | | D7/586 |
| D212,821 S | * | 11/1968 | Benes | | D7/545 |
| D287,559 S | * | 1/1987 | Daenen et al. | | D7/586 |
| D314,892 S | * | 2/1991 | Sata | | D7/698 |
| D348,805 S | * | 7/1994 | Cautereels | | D7/602 |
| D418,017 S | * | 12/1999 | Henry | | D7/545 |
| D431,958 S | * | 10/2000 | Harris | | D7/354 |
| D432,355 S | * | 10/2000 | Bouldstridge | | D7/396.1 |
| D434,606 S | * | 12/2000 | Reames et al. | | D7/552.1 |
| D442,425 S | * | 5/2001 | Wyche | | D7/360 |
| D469,654 S | * | 2/2003 | Cooper et al. | | D7/360 |
| D470,712 S | * | 2/2003 | Swinford et al. | | D7/360 |
| D470,713 S | * | 2/2003 | Swinford et al. | | D7/360 |

| | | | | | |
|------------|---|---------|-----------|-------|--------|
| D475,246 S | * | 6/2003 | Jørgensen | | D7/545 |
| D483,616 S | * | 12/2003 | Thonis | | D7/545 |
| D489,567 S | * | 5/2004 | Groll | | D7/354 |
| D489,568 S | * | 5/2004 | Groll | | D7/354 |

* cited by examiner

Primary Examiner—Cathron C. Brooks

Assistant Examiner—Ricky Pham

(74) *Attorney, Agent, or Firm*—Birch, Stewart, Kolsch & Birch, LLP

(57) **CLAIM**

The ornamental design for a cookie sheet, as shown and described.

DESCRIPTION

FIG. 1 is a front, right perspective view of a first embodiment of the cookie sheet showing my new design with a tab on one hand grip;

FIG. 2 is a top view thereof;

FIG. 3 is a bottom view thereof;

FIG. 4 is a right side view thereof, the left side view being a mirror image thereof;

FIG. 5 is a front view thereof, the rear view being a mirror image thereof;

FIG. 6 is a front, right perspective view of a second embodiment of the cookie sheet showing my new design with a tab on both hand grips;

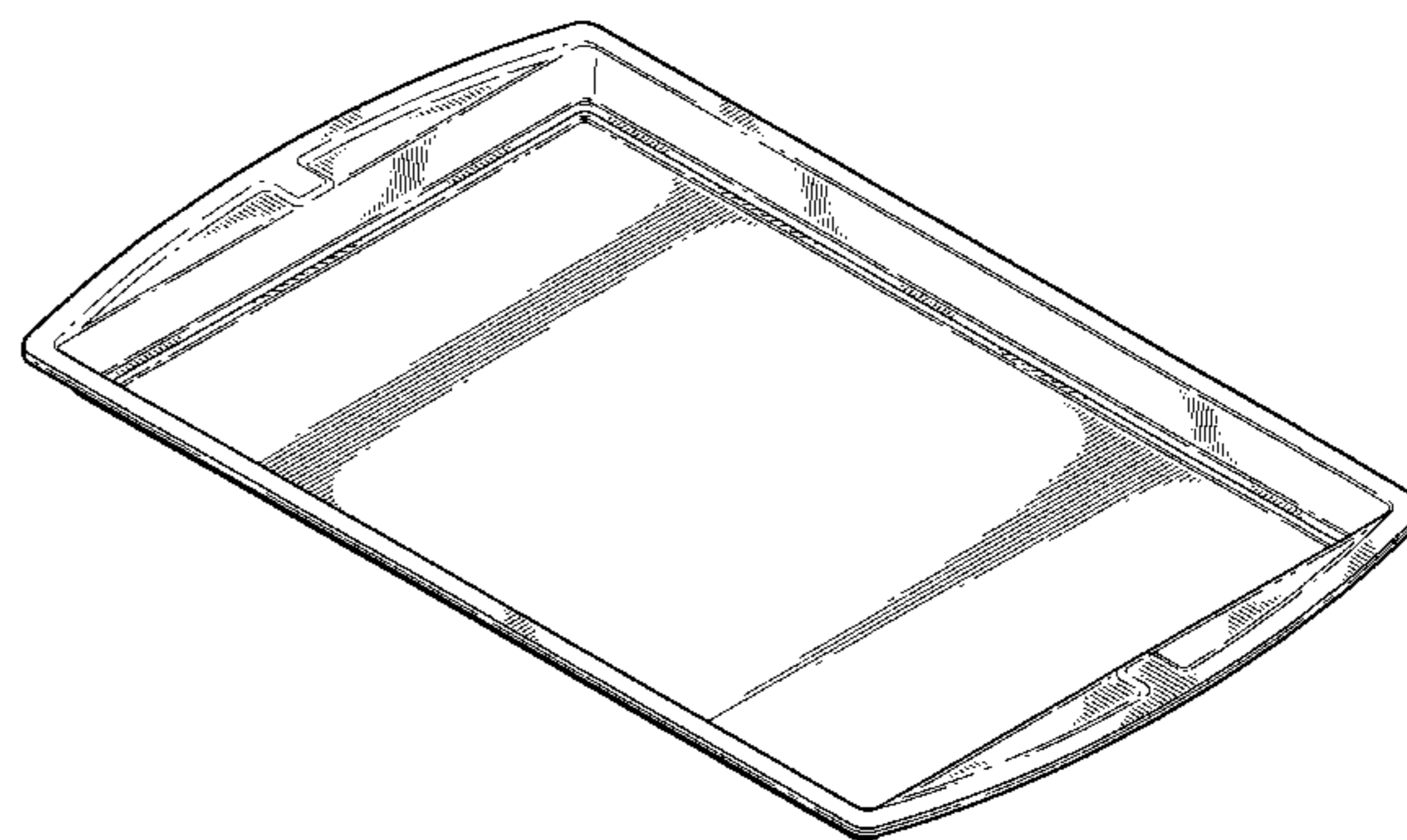
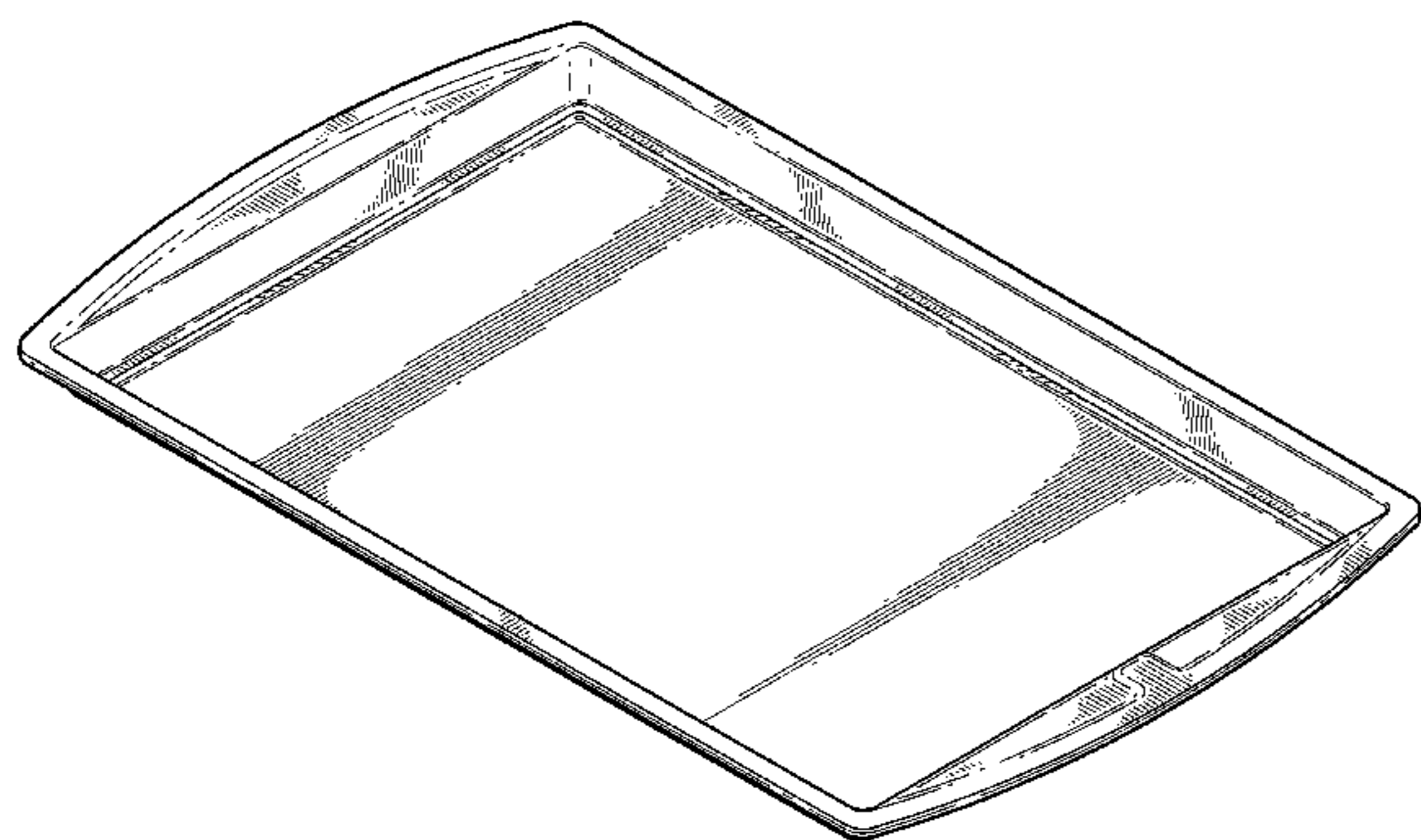
FIG. 7 is a top view thereof;

FIG. 8 is a bottom view thereof;

FIG. 9 is a right side view thereof, the left side view being a mirror image thereof; and,

FIG. 10 is a front view thereof, the rear view being a mirror image thereof.

1 Claim, 8 Drawing Sheets



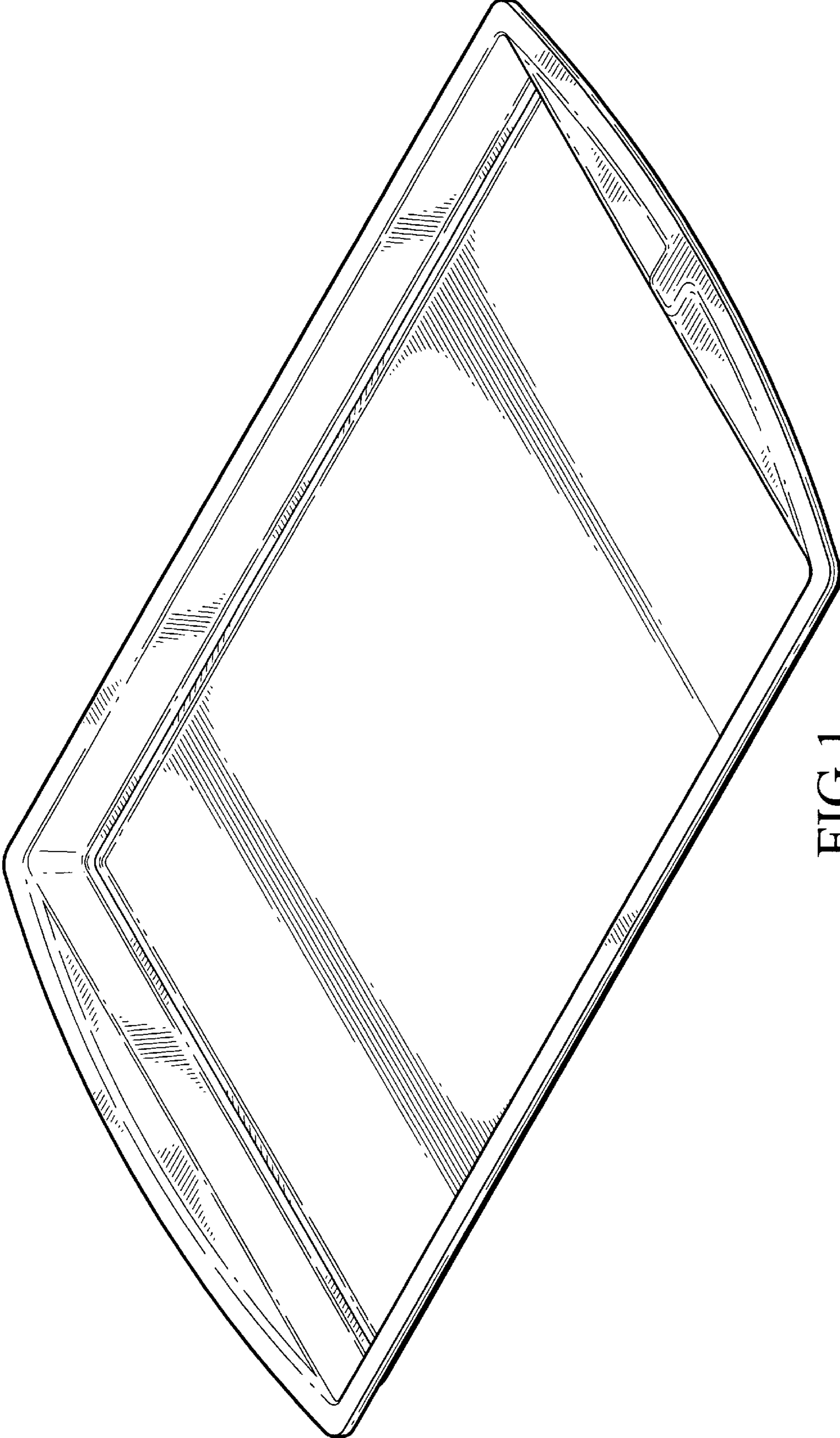


FIG.1

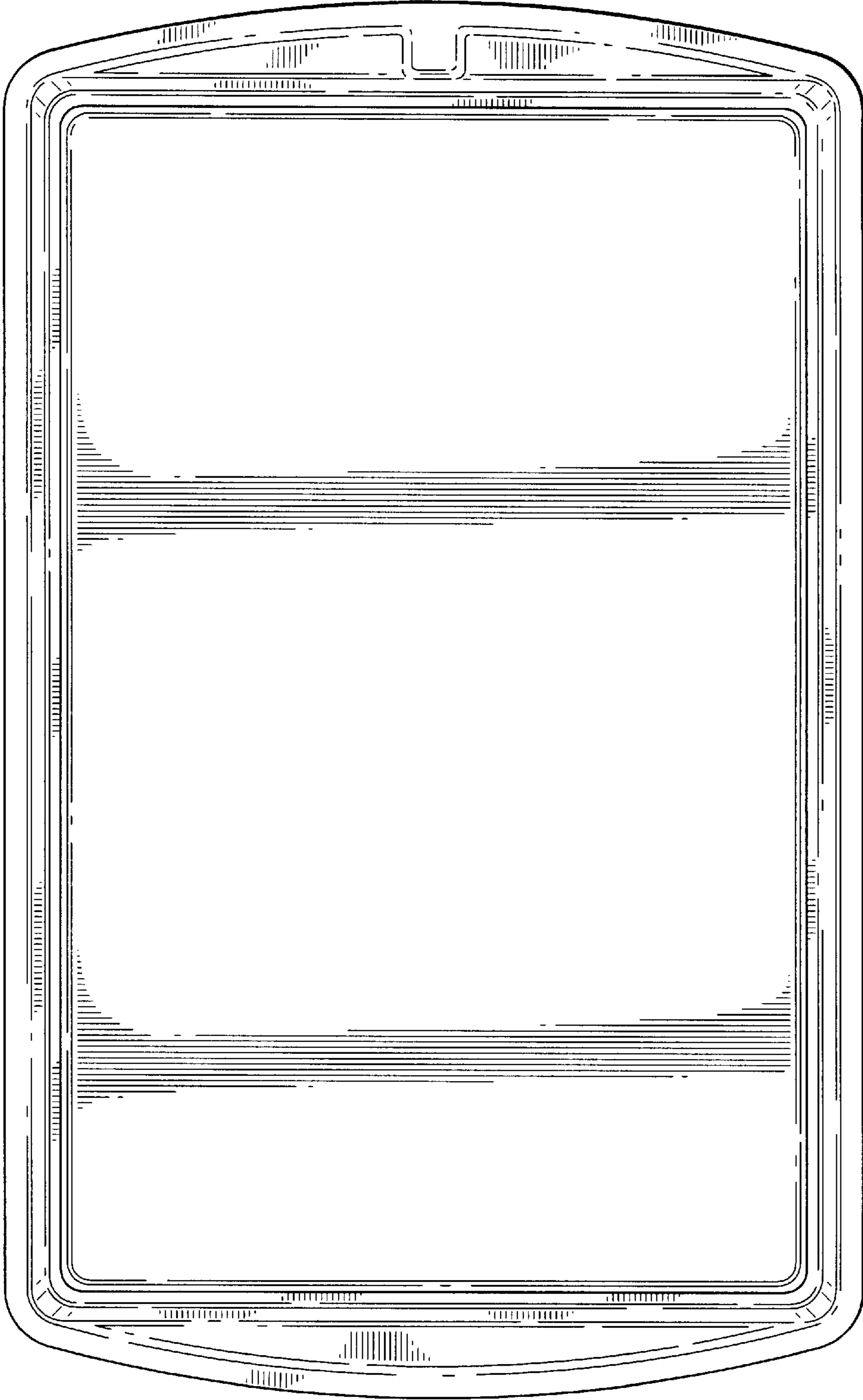


FIG.2

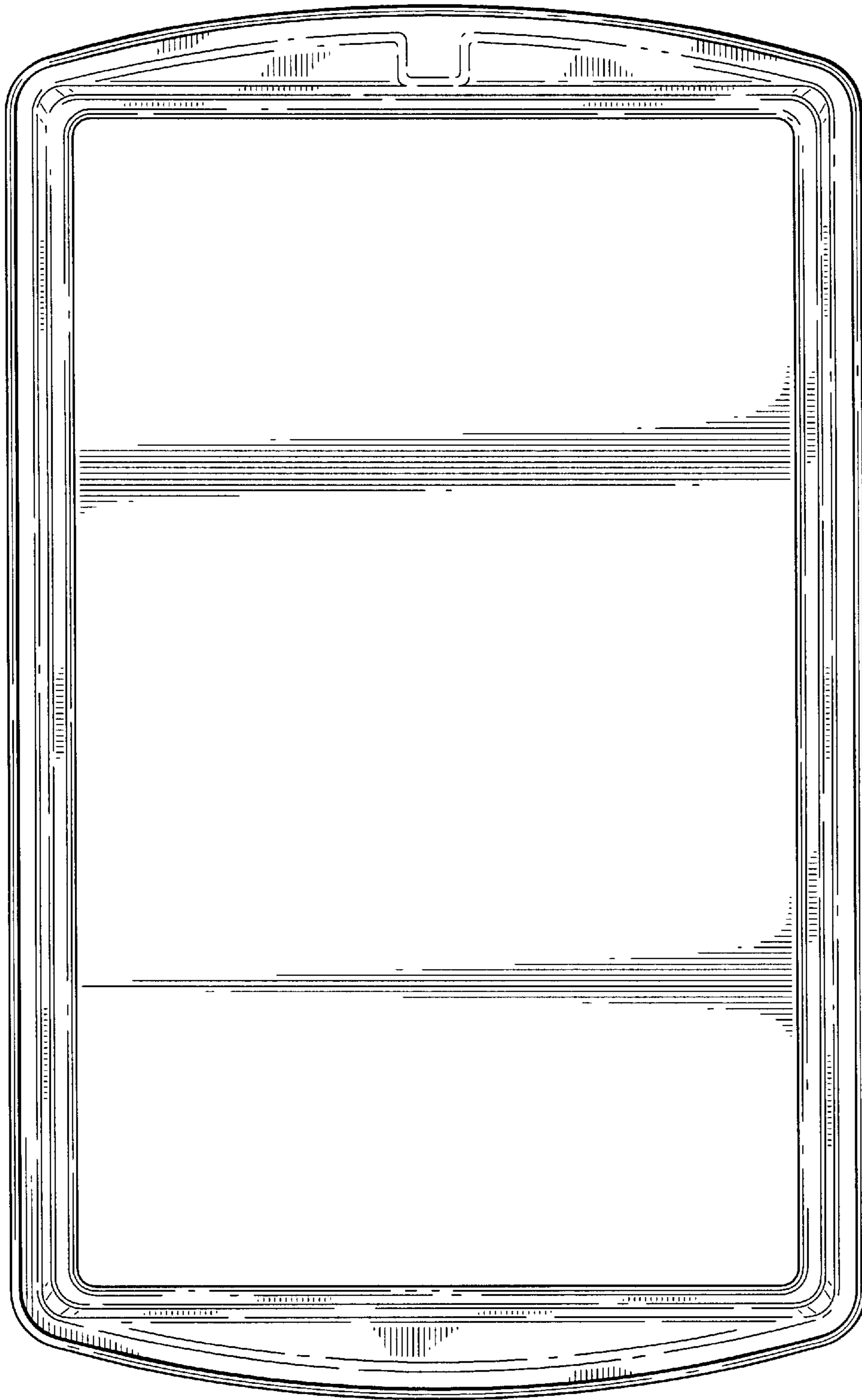


FIG.3

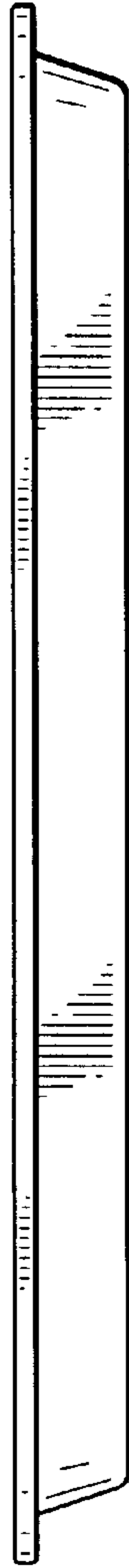


FIG. 4

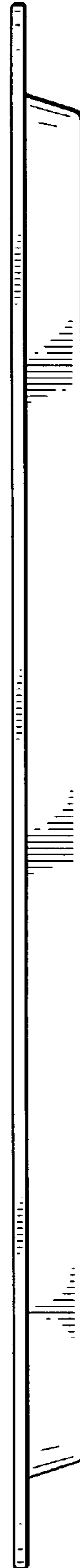


FIG. 5

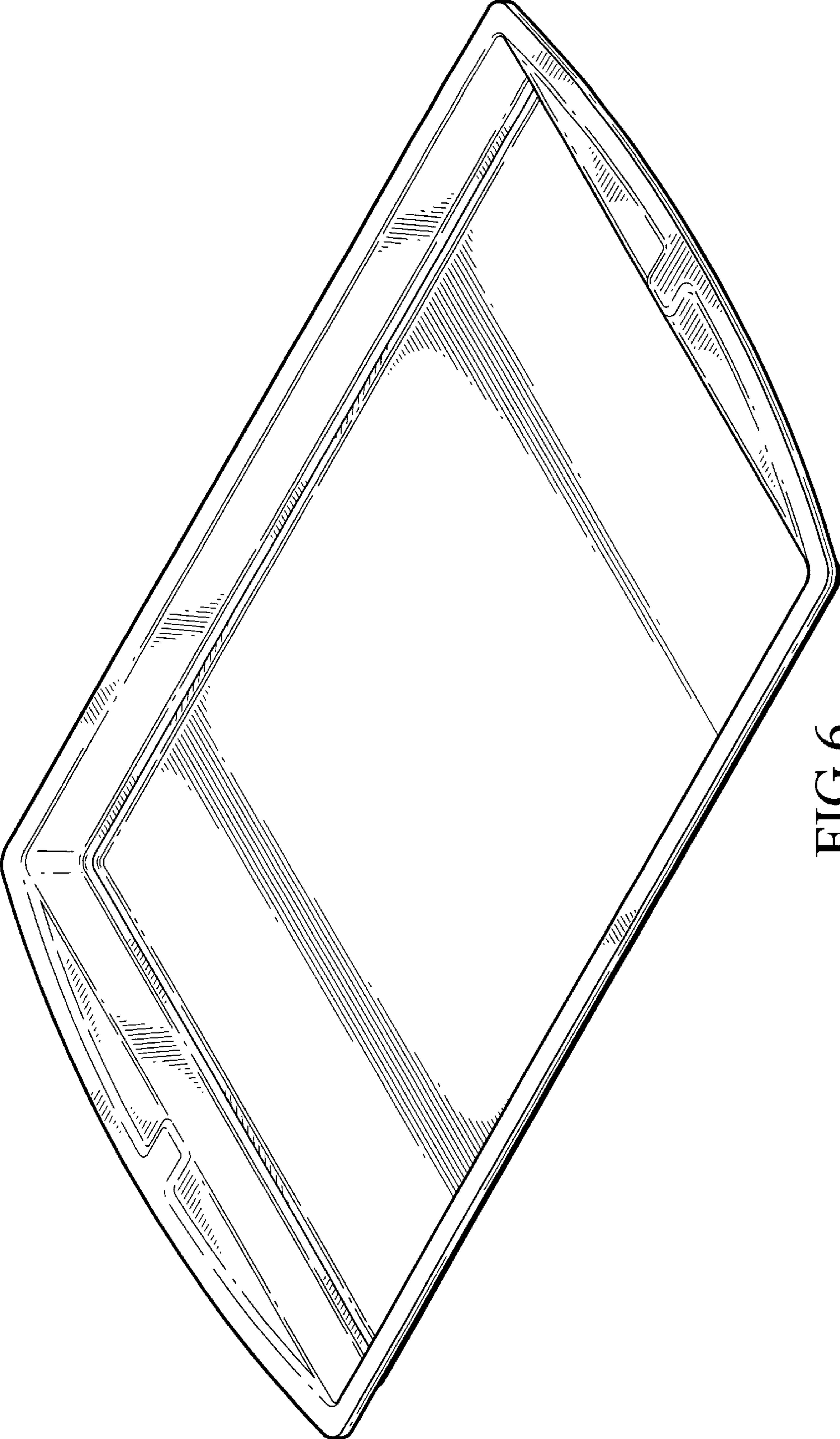


FIG.6

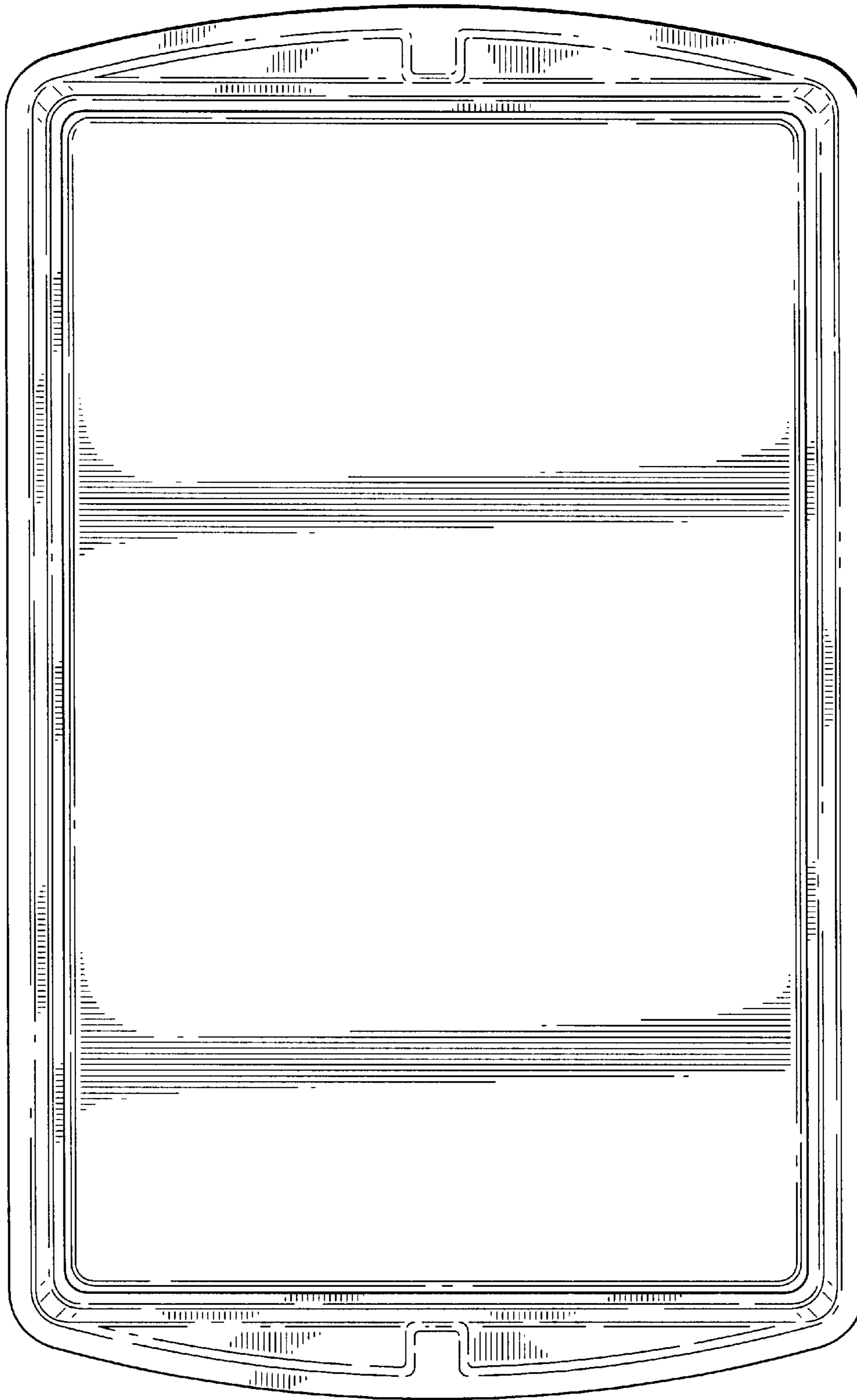


FIG. 7

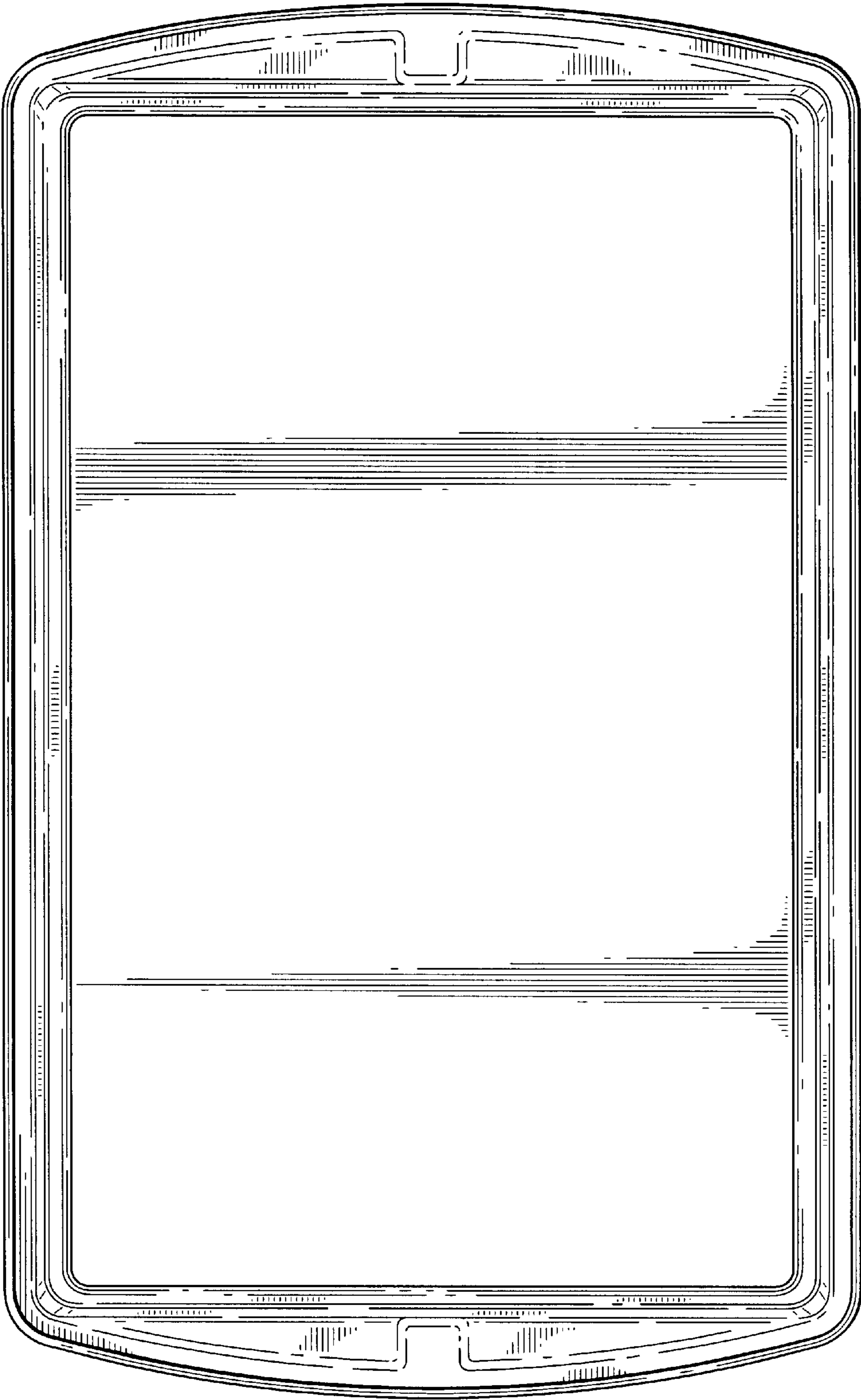


FIG.8



FIG. 9



FIG. 10