



US00D539073S

(12) **United States Design Patent**  
**Kanza**

(10) **Patent No.:** **US D539,073 S**

(45) **Date of Patent:** **\*\* Mar. 27, 2007**

(54) **MICROWAVE OVEN**

(75) Inventor: **Akinobu Kanza**, Hyogo (JP)

(73) Assignee: **Matsushita Electric Industrial Co., Ltd.**, Osaka (JP)

(\*\*) Term: **14 Years**

(21) Appl. No.: **29/256,813**

(22) Filed: **Mar. 24, 2006**

(51) **LOC (8) Cl.** ..... **07-02**

(52) **U.S. Cl.** ..... **D7/351**

(58) **Field of Classification Search** ..... D7/350.1,  
D7/350.3, 350.4, 351, 402-403, 405-406;  
126/19 M, 275 E, 273 A; 219/756-758, 391,  
219/402, 393; 99/DIG. 14

See application file for complete search history.

(56) **References Cited**

**U.S. PATENT DOCUMENTS**

- D294,327 S 2/1988 Yoo
- D305,087 S 12/1989 Ichihara et al.
- D305,492 S 1/1990 Kawaishi et al.
- D306,958 S 4/1990 Yamada et al.
- D313,149 S 12/1990 Ichihara et al.
- D315,656 S 3/1991 Kim
- D318,397 S 7/1991 Jung
- D321,454 S 11/1991 Matoba et al.
- D323,953 S 2/1992 Kubo et al.
- D329,353 S 9/1992 Yamada
- D334,688 S \* 4/1993 Kitae et al. .... D7/351
- D335,064 S 4/1993 Sugiyama et al.
- D341,289 S 11/1993 Choi
- D357,159 S 4/1995 Mitsui et al.
- D425,750 S 5/2000 Koike
- D437,179 S 2/2001 Ozaki et al.
- D439,468 S \* 3/2001 Kim ..... D7/351

- D442,820 S \* 5/2001 Kim ..... D7/351
- D452,410 S 12/2001 Ichimura
- D463,198 S \* 9/2002 Nishikawa ..... D7/351
- D476,521 S \* 7/2003 Fukuda et al. .... D7/351
- D478,465 S \* 8/2003 Kanza ..... D7/351
- D481,582 S \* 11/2003 Seum et al. .... D7/350.1

**FOREIGN PATENT DOCUMENTS**

- CN 3193204D 7/2001
- CN 3419704D 1/2005
- CN 3441987D 4/2005
- JP D1099621 2/2001
- JP D1118799 8/2001
- JP D1135980 3/2002
- JP D1164128 1/2003
- JP D1180215 7/2003
- JP D1181044 8/2003
- JP D1192986 12/2003

\* cited by examiner

*Primary Examiner*—Ruth McInroy

(74) *Attorney, Agent, or Firm*—Brinks Hofer Gilson & Lione

(57) **CLAIM**

I claim the ornamental design for a microwave oven, as shown and described.

**DESCRIPTION**

FIG. 1 is a top perspective view of a microwave oven of the present invention;  
FIG. 2 is a front view thereof;  
FIG. 3 is a rear view thereof;  
FIG. 4 is a top view thereof;  
FIG. 5 is a bottom view thereof;  
FIG. 6 is a first side view thereof; and,  
FIG. 7 is a second side view thereof.

**1 Claim, 4 Drawing Sheets**

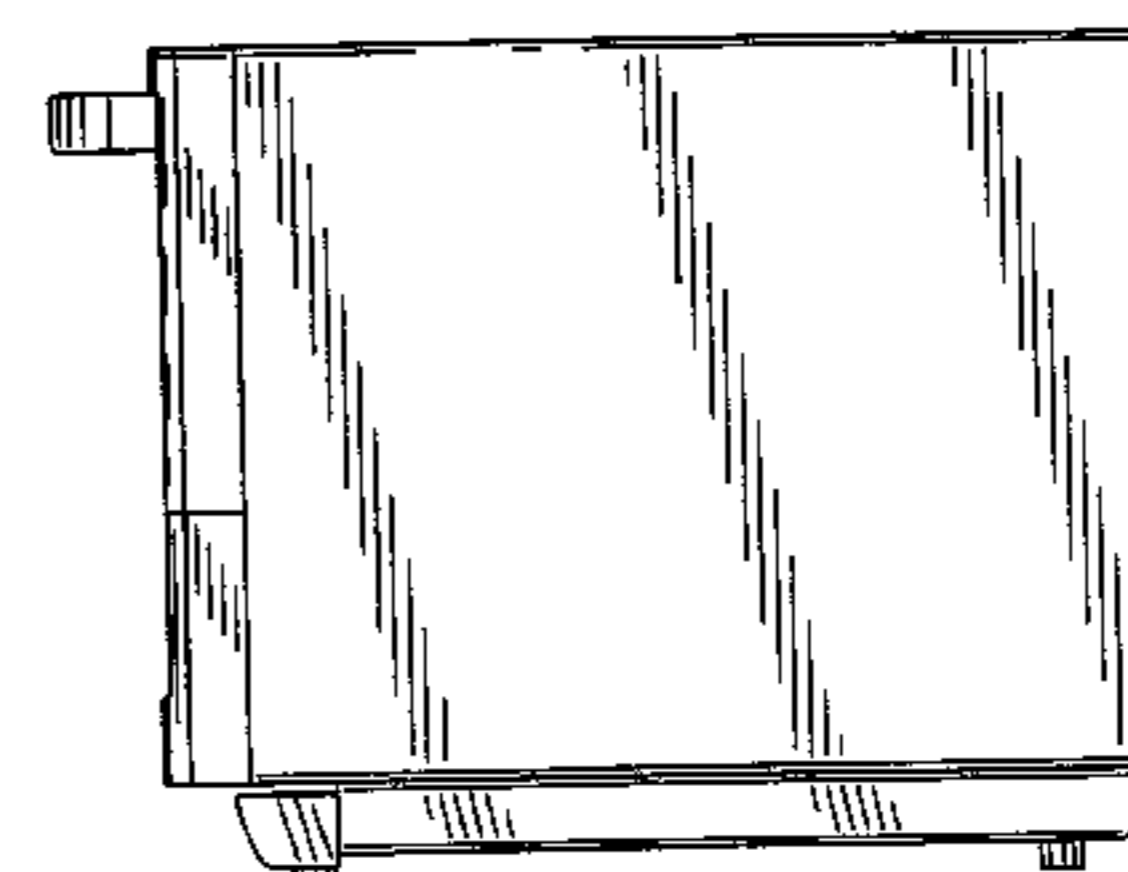
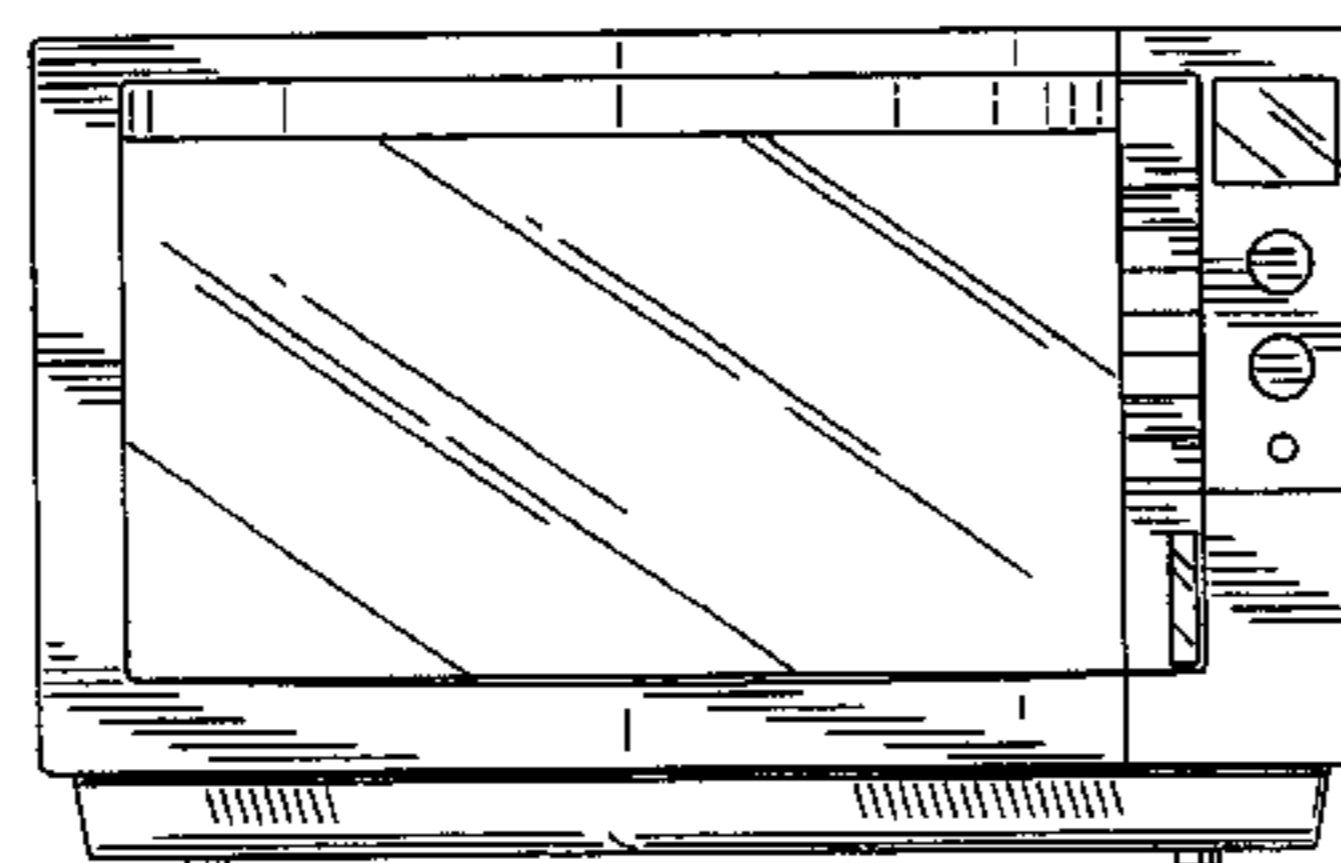
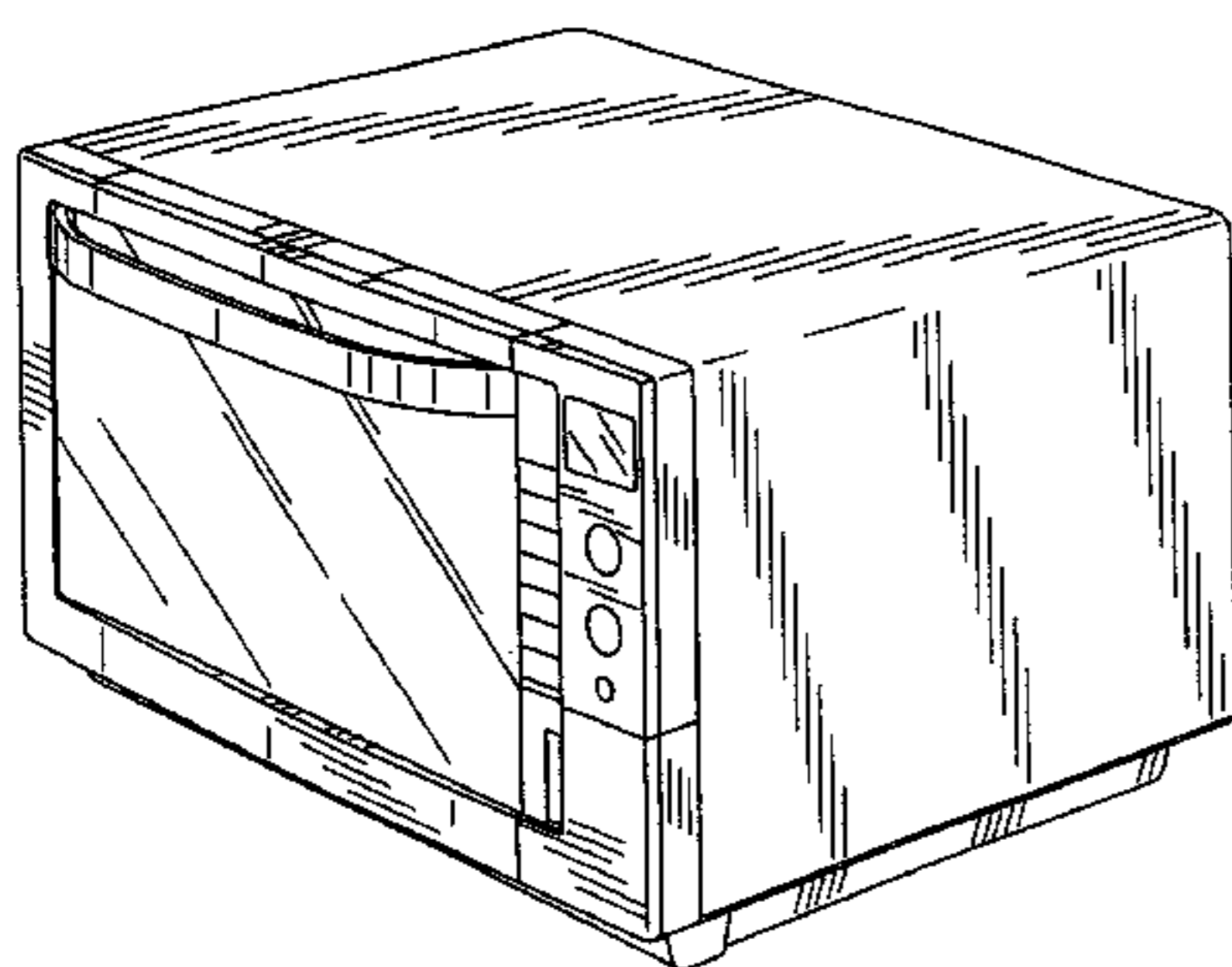


FIG. 1

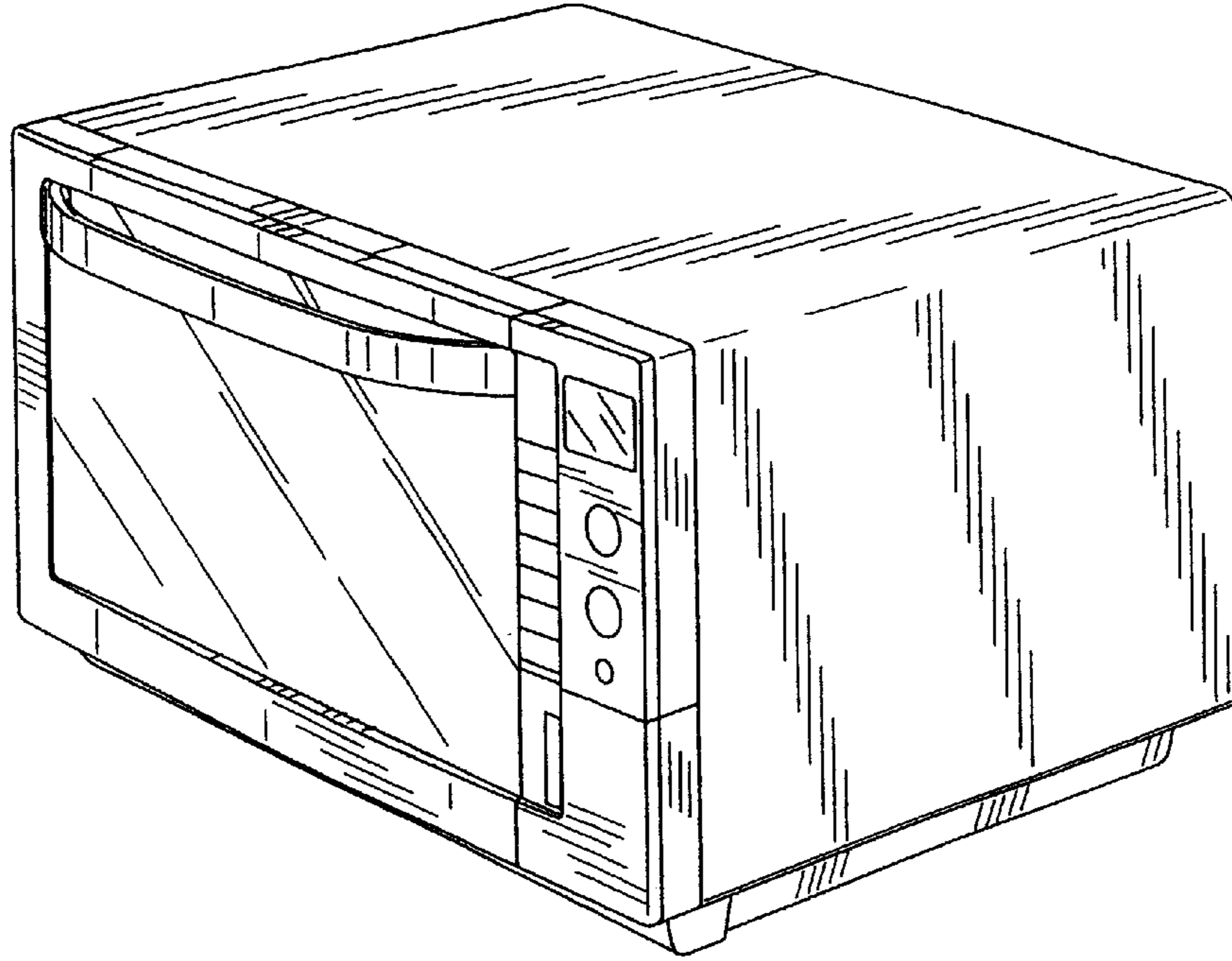


FIG. 2

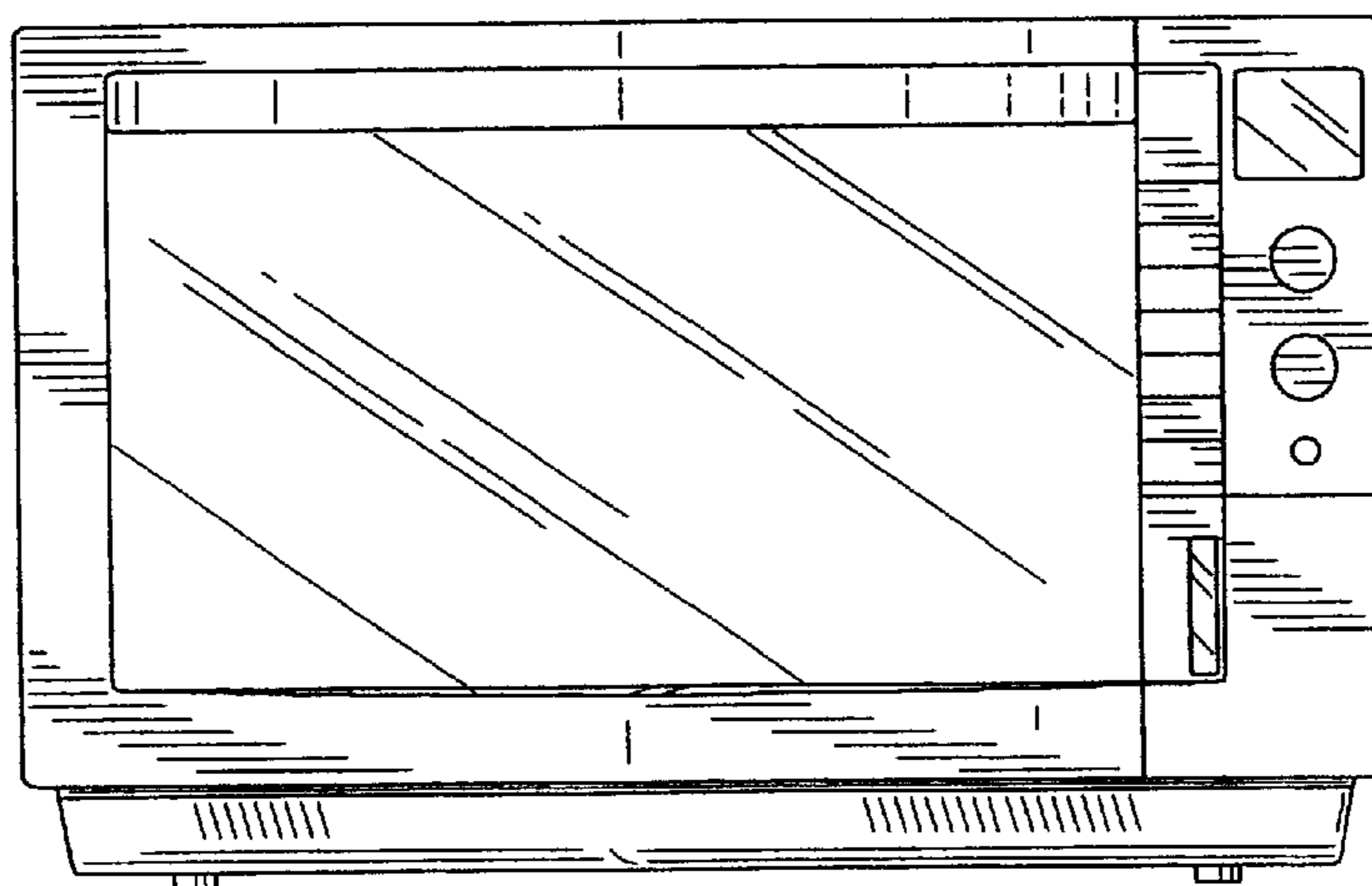


FIG. 3

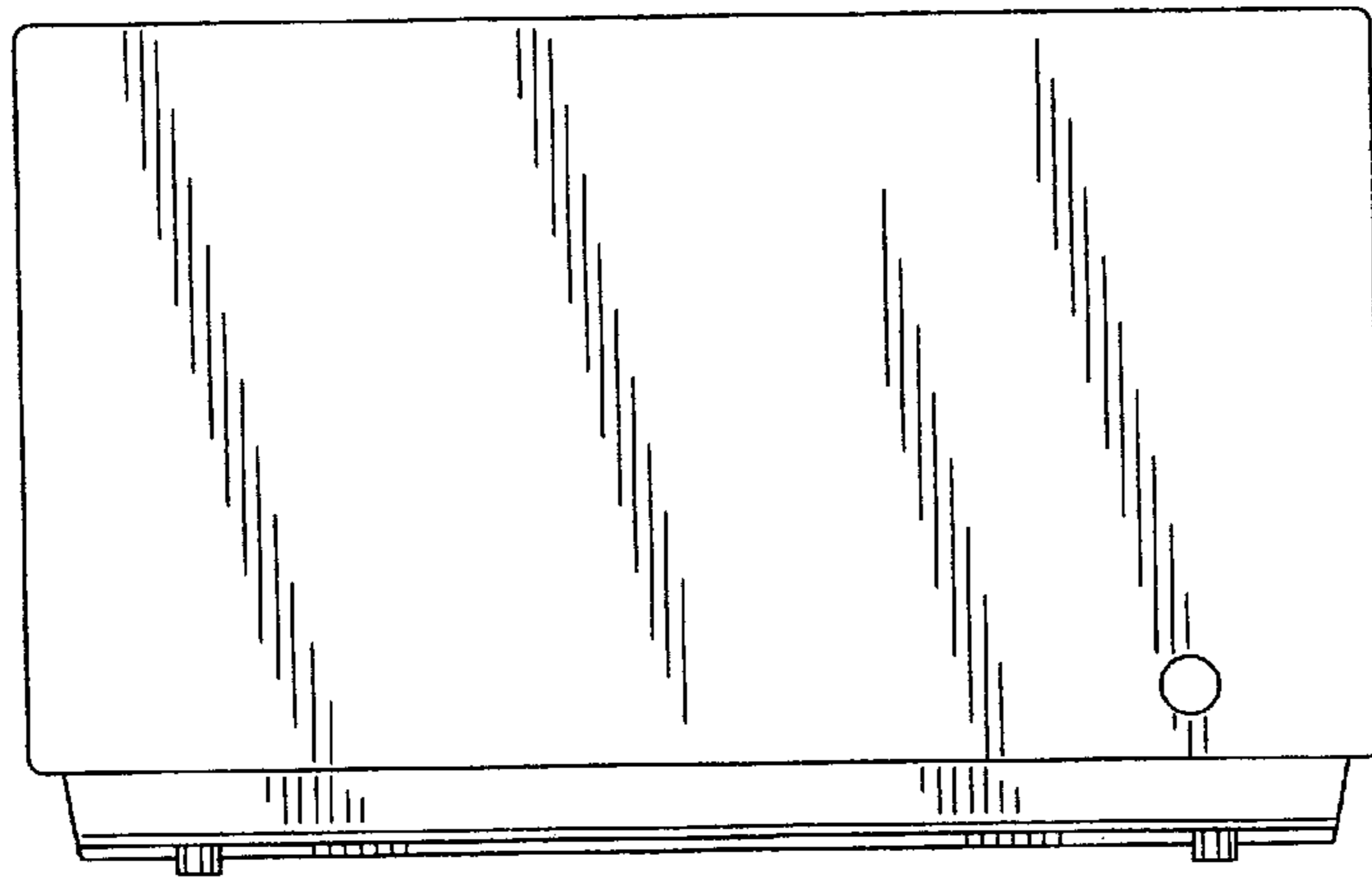


FIG. 4

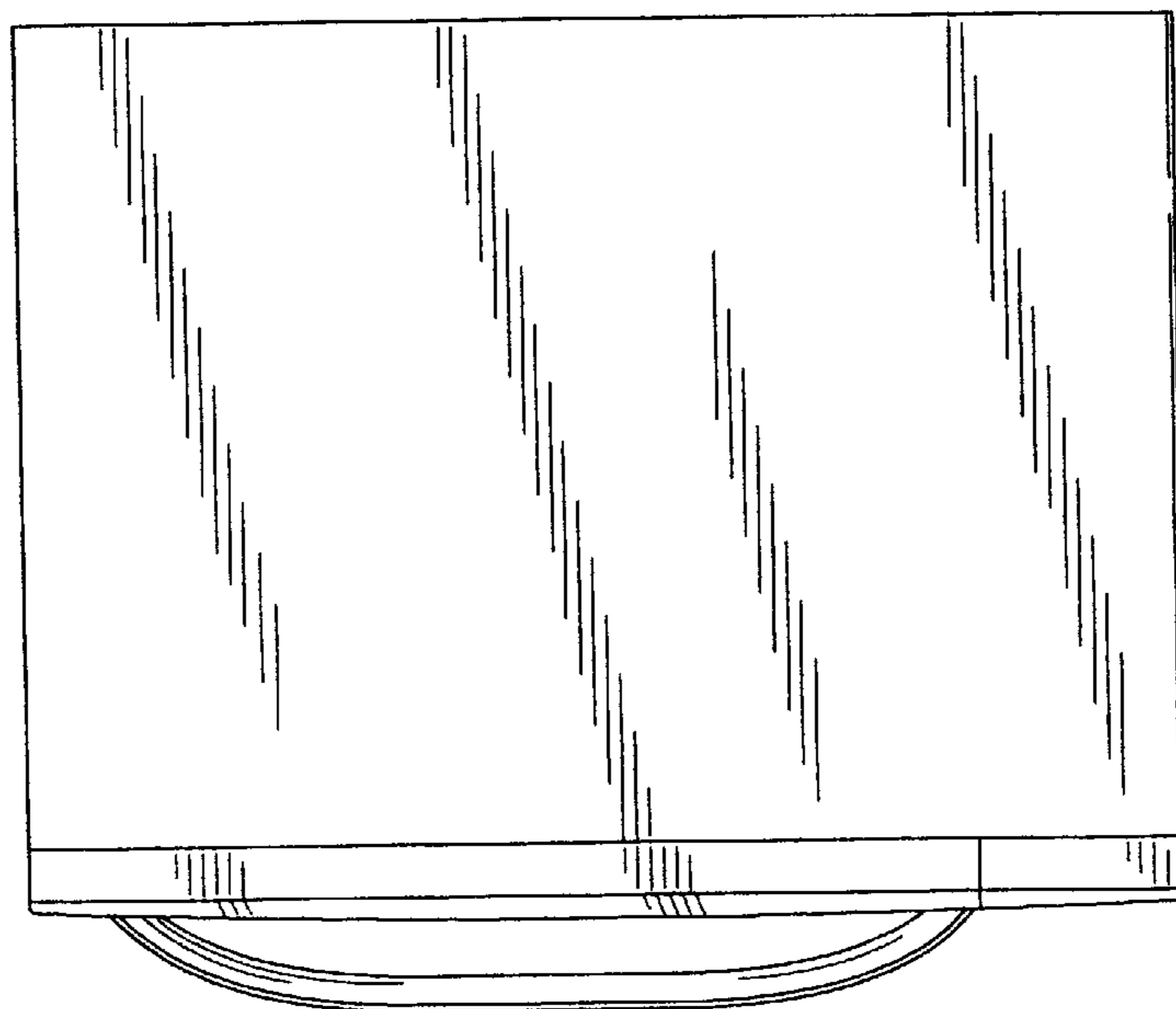


FIG. 5

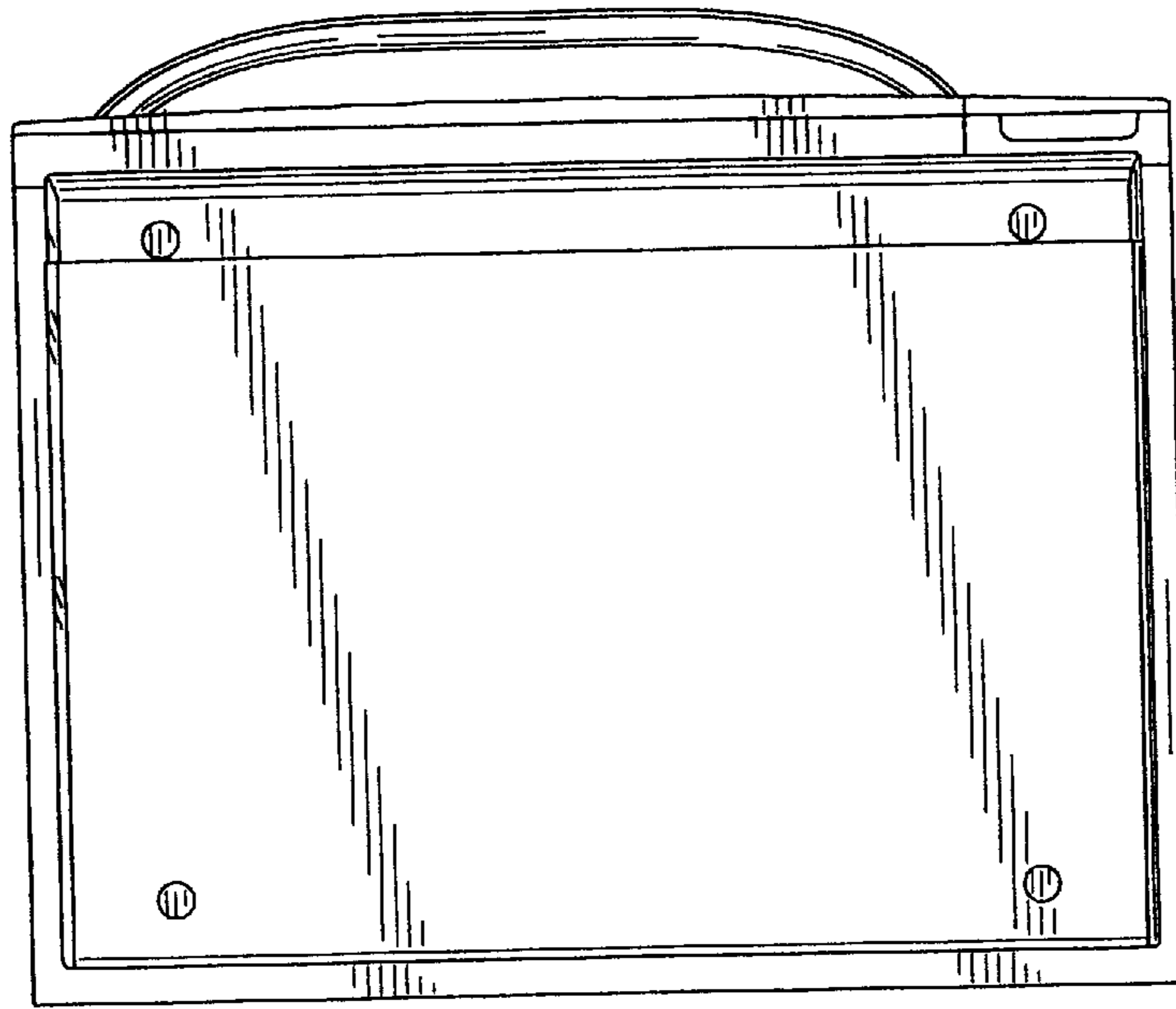


FIG. 6

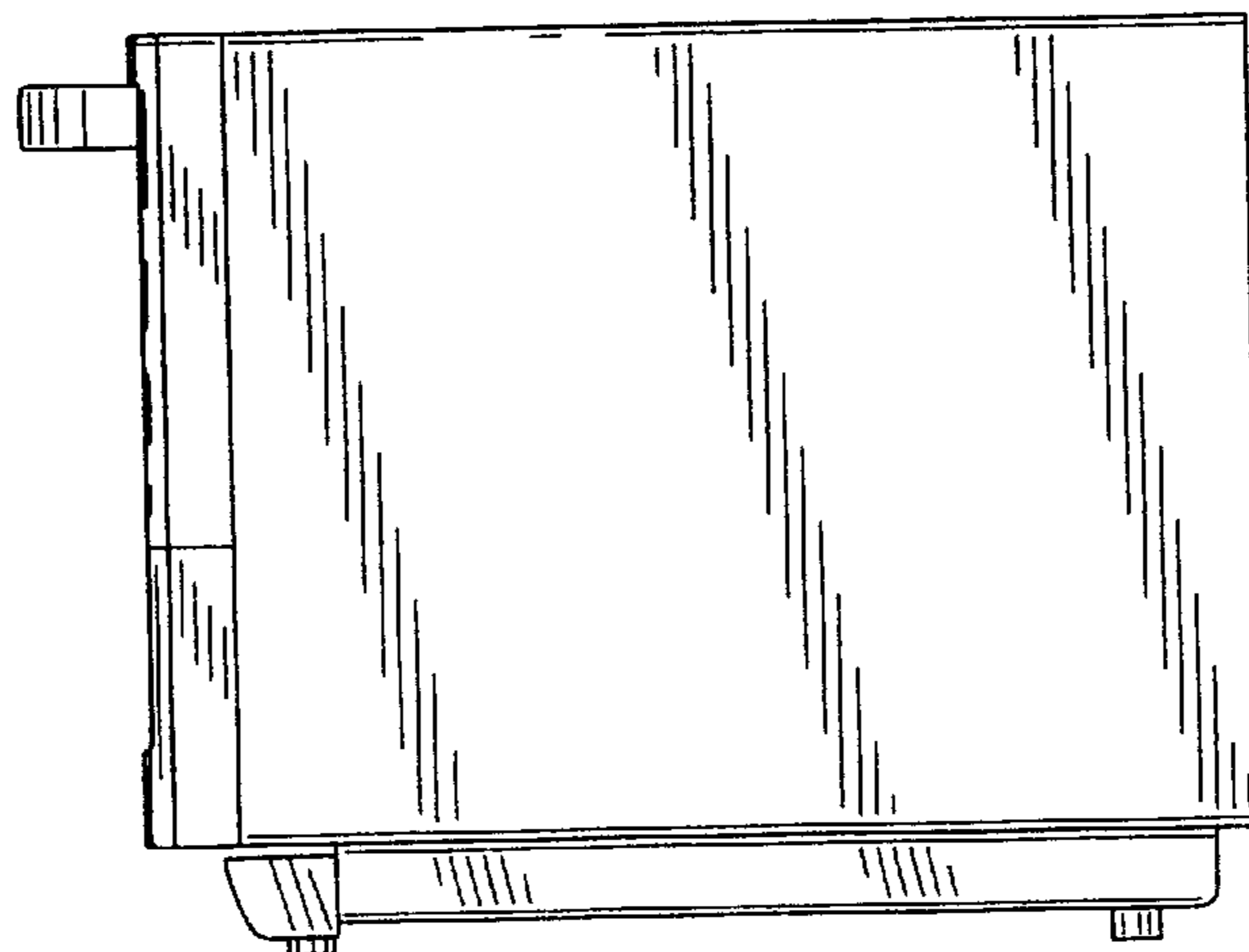


FIG. 7

