



US00D539072S

(12) **United States Design Patent**
Kawata et al.

(10) **Patent No.:** **US D539,072 S**
(45) **Date of Patent:** **** Mar. 27, 2007**

- (54) **OVEN**
- (75) Inventors: **Osamu Kawata**, Nara-ken (JP);
Hiroshi Mizuno, Nara-ken (JP)
- (73) Assignee: **Sharp Kabushiki Kaisha**, Osaka (JP)
- (**) Term: **14 Years**
- (21) Appl. No.: **29/253,285**
- (22) Filed: **Feb. 3, 2006**
- (30) **Foreign Application Priority Data**

- D357,159 S 4/1995 Mitsui et al.
- D360,103 S 7/1995 Kim
- D367,991 S 3/1996 Saimen
- D367,992 S 3/1996 Saimen
- D368,405 S 4/1996 Tada
- D368,406 S 4/1996 Nakamura
- D373,502 S 9/1996 Fujii et al.
- D380,644 S 7/1997 Tsuda et al.
- D390,411 S 2/1998 Nakagawa
- D390,412 S 2/1998 Takimoto
- D400,047 S 10/1998 Takimoto et al.
- D409,437 S 5/1999 Nakano et al.
- D410,813 S 6/1999 Fujii
- D410,814 S 6/1999 Koike

Aug. 4, 2005 (JP) 2005-022685

(Continued)

- (51) **LOC (8) Cl.** **07-02**
- (52) **U.S. Cl.** **D7/350.4**
- (58) **Field of Classification Search** D7/350.1,
D7/350.3, 350.4, 351, 402-403, 405-406;
126/19 M, 275 E, 273 A; 219/756-758, 391,
219/402, 393; 99/DIG. 14
See application file for complete search history.

Primary Examiner—Ruth McInroy
(74) *Attorney, Agent, or Firm*—Nixon & Vanderhye, PC

(57) **CLAIM**

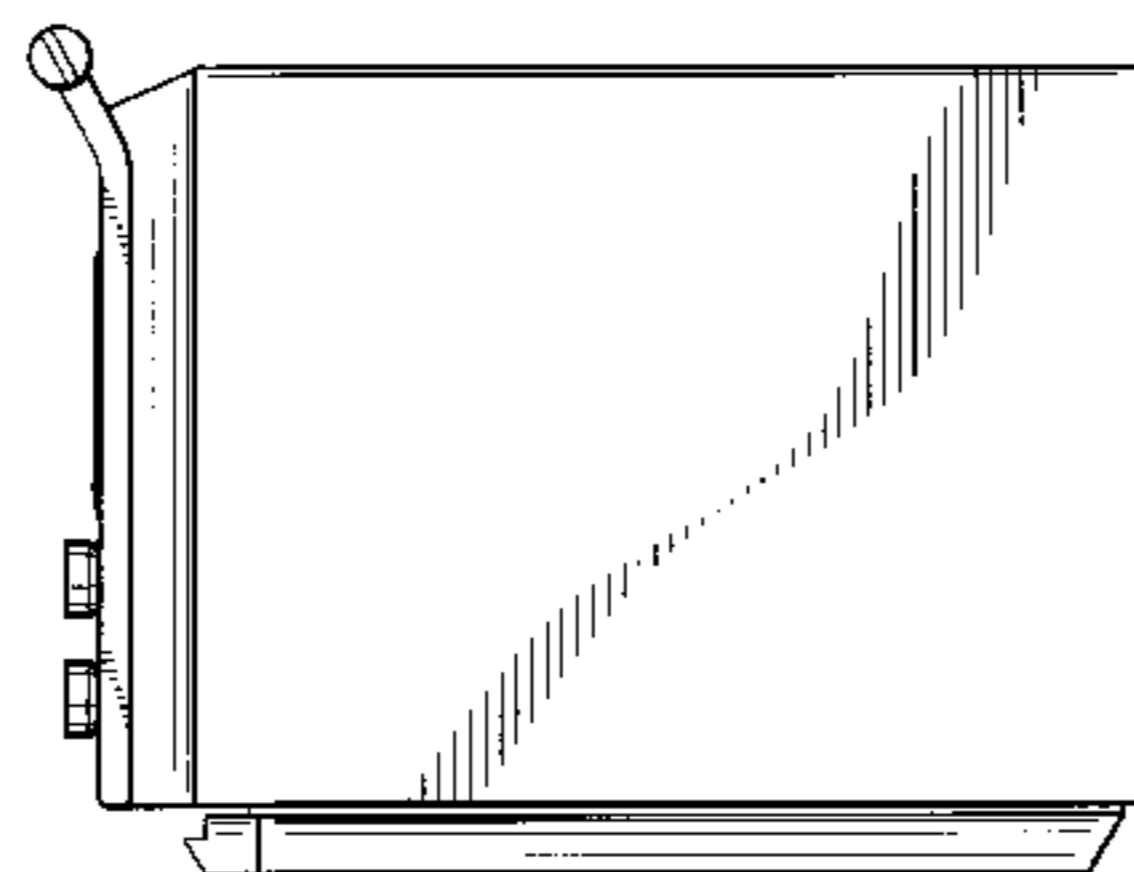
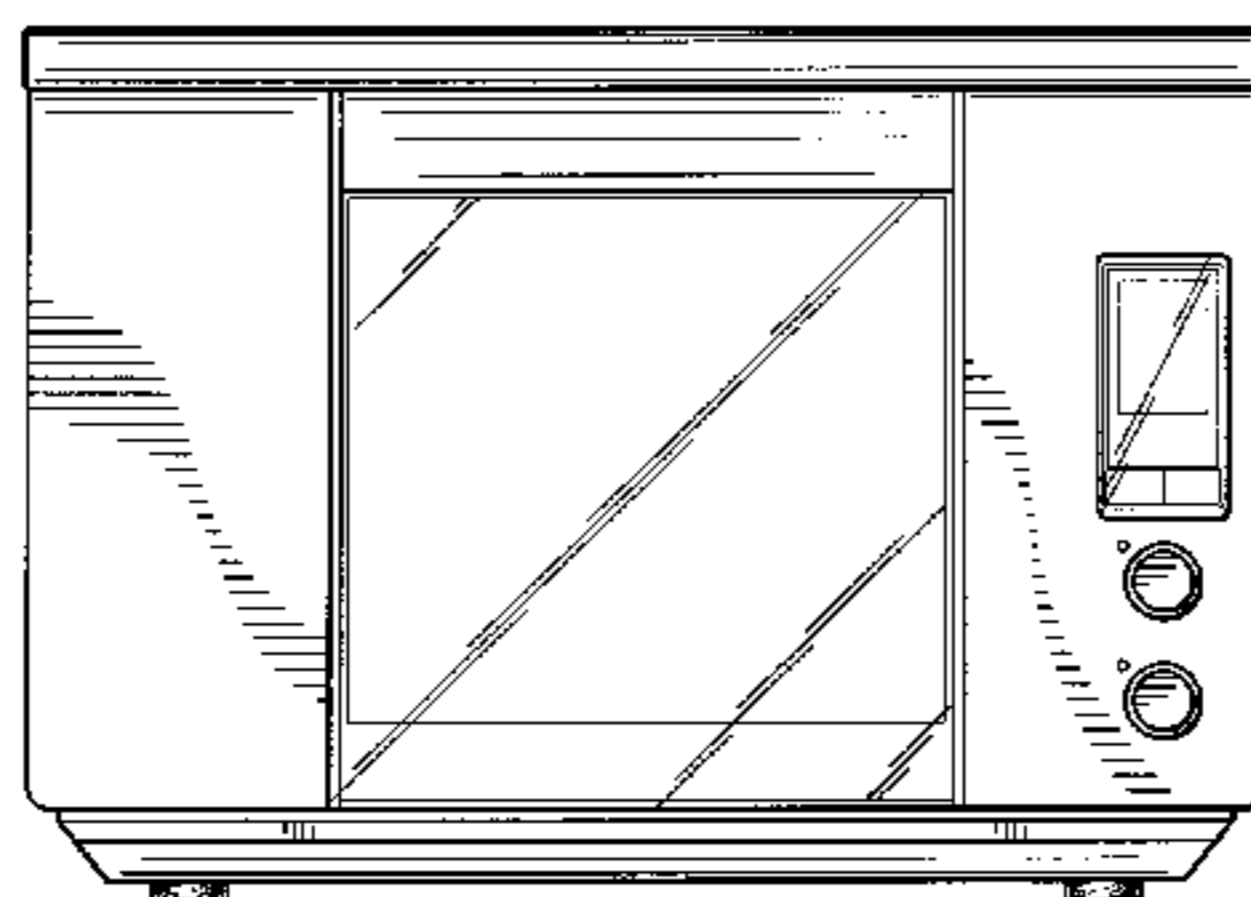
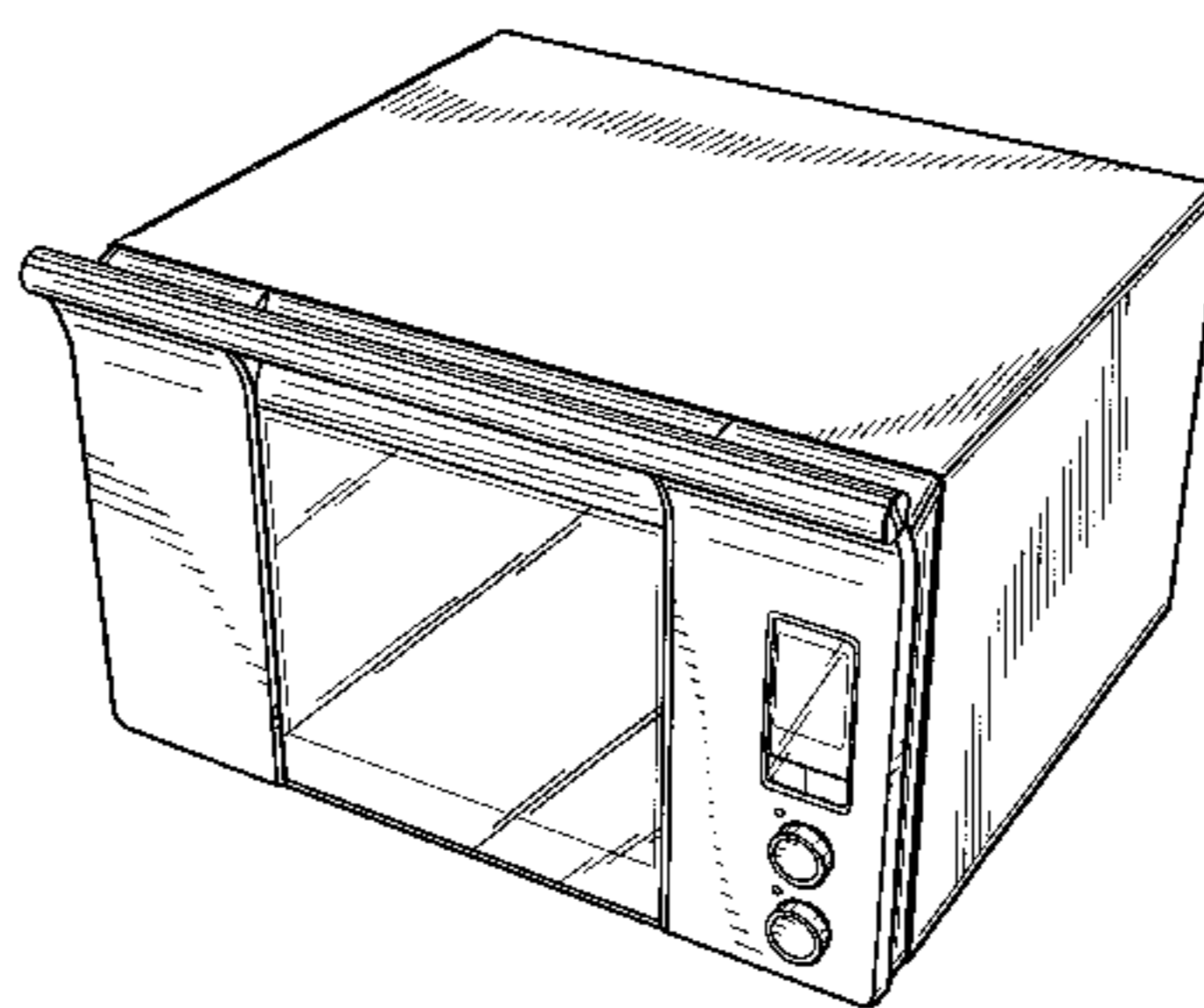
The ornamental design for an oven, as shown and described.

DESCRIPTION

FIG. 1 is a right, front perspective view of an oven showing our new design;
FIG. 2 is a front elevation view thereof;
FIG. 3 is a rear elevation view thereof;
FIG. 4 is a top plan view thereof;
FIG. 5 is a bottom plan view thereof; and,
FIG. 6 is a right side elevation view thereof, and the left side elevation view being a minor image thereof.

- (56) **References Cited**
- U.S. PATENT DOCUMENTS
- D329,353 S 9/1992 Yamada
- D334,688 S 4/1993 Kitae et al.
- D335,064 S 4/1993 Sugiyama et al.
- D352,636 S 11/1994 Nakamura
- D353,510 S 12/1994 Nakamura
- D353,511 S 12/1994 Saimen
- D353,512 S 12/1994 Saimen et al.
- D356,006 S 3/1995 Saimen et al.

1 Claim, 6 Drawing Sheets



US D539,072 S

Page 2

U.S. PATENT DOCUMENTS

D411,074 S	6/1999	Sakai et al.	D462,868 S	9/2002	Noda et al.
D411,706 S	6/1999	Koike	D462,869 S	9/2002	Konno et al.
D423,868 S	5/2000	Shoji et al.	D465,696 S	11/2002	Taira
D425,750 S	5/2000	Koike	D465,963 S	11/2002	Taira
D426,102 S	6/2000	Hamada et al.	D468,578 S	1/2003	Fukuda et al.
D431,957 S	10/2000	Taira	D468,579 S	1/2003	Sakai et al.
D433,268 S	11/2000	Taira	D468,955 S	1/2003	Park
D433,269 S	11/2000	Taira	D470,004 S	2/2003	Fukuda et al.
D435,793 S	1/2001	Taira	D476,521 S	7/2003	Fukuda et al.
D435,999 S	1/2001	Noda et al.	D477,964 S	8/2003	Kanza
D436,285 S	1/2001	Taira	D495,556 S	* 9/2004	Milrud et al. D7/405
D441,595 S	5/2001	Naganuma	D499,300 S	12/2004	Fukuda et al.
D442,424 S	5/2001	Naganuma	D510,229 S	* 10/2005	Bengtson et al. D7/351
D442,821 S	5/2001	Naganuma	D510,230 S	10/2005	Taira
D443,172 S	6/2001	Taira	D514,873 S	2/2006	Sakai
D449,203 S	10/2001	Chouya	D516,370 S	3/2006	Tsujita
D451,753 S	12/2001	Chouya	2002/0070212 A1	6/2002	Choi et al.
D452,629 S	1/2002	Chouya	2004/0000546 A1	1/2004	Yang et al.
D461,091 S	8/2002	Chen			

* cited by examiner

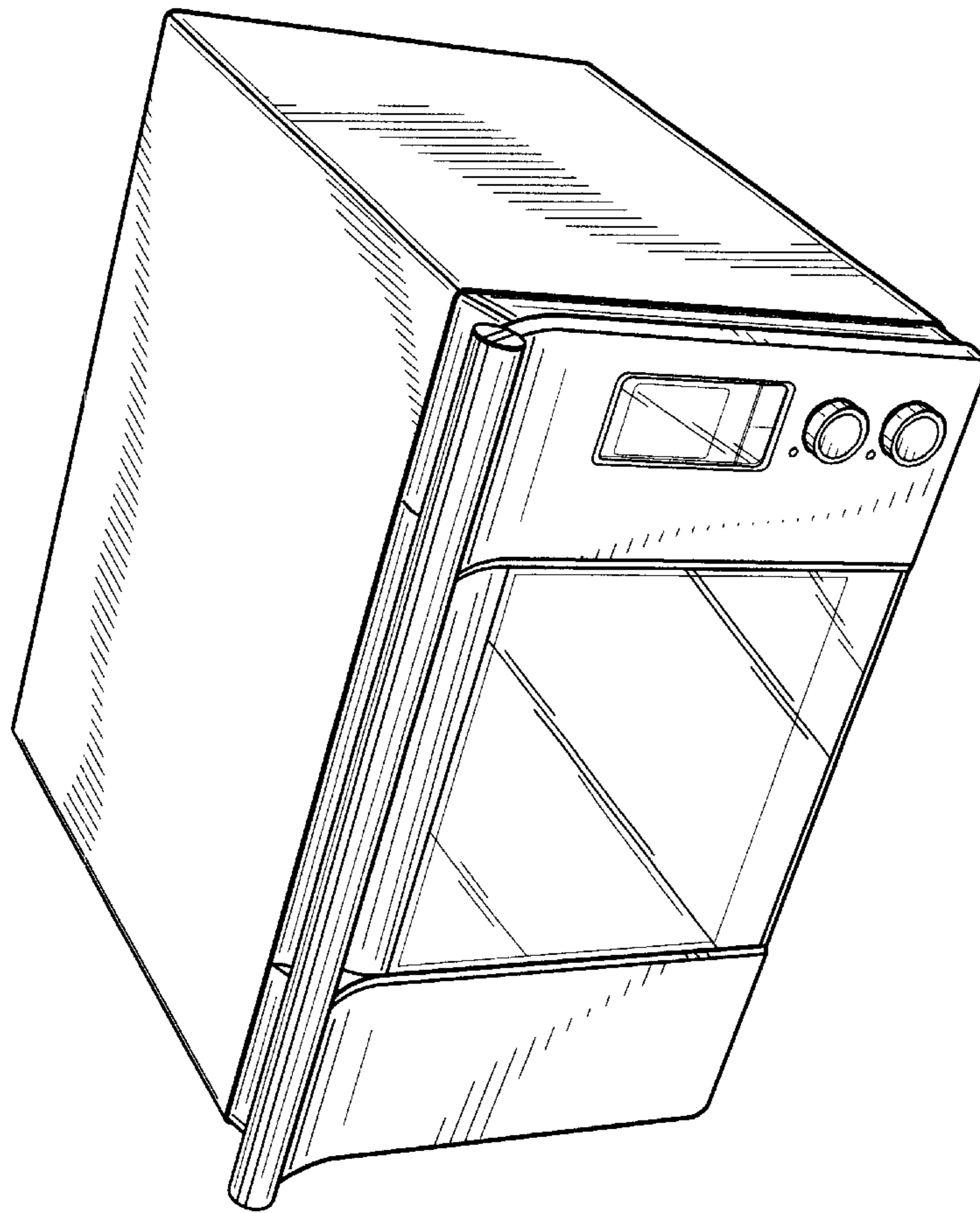


Fig. 1

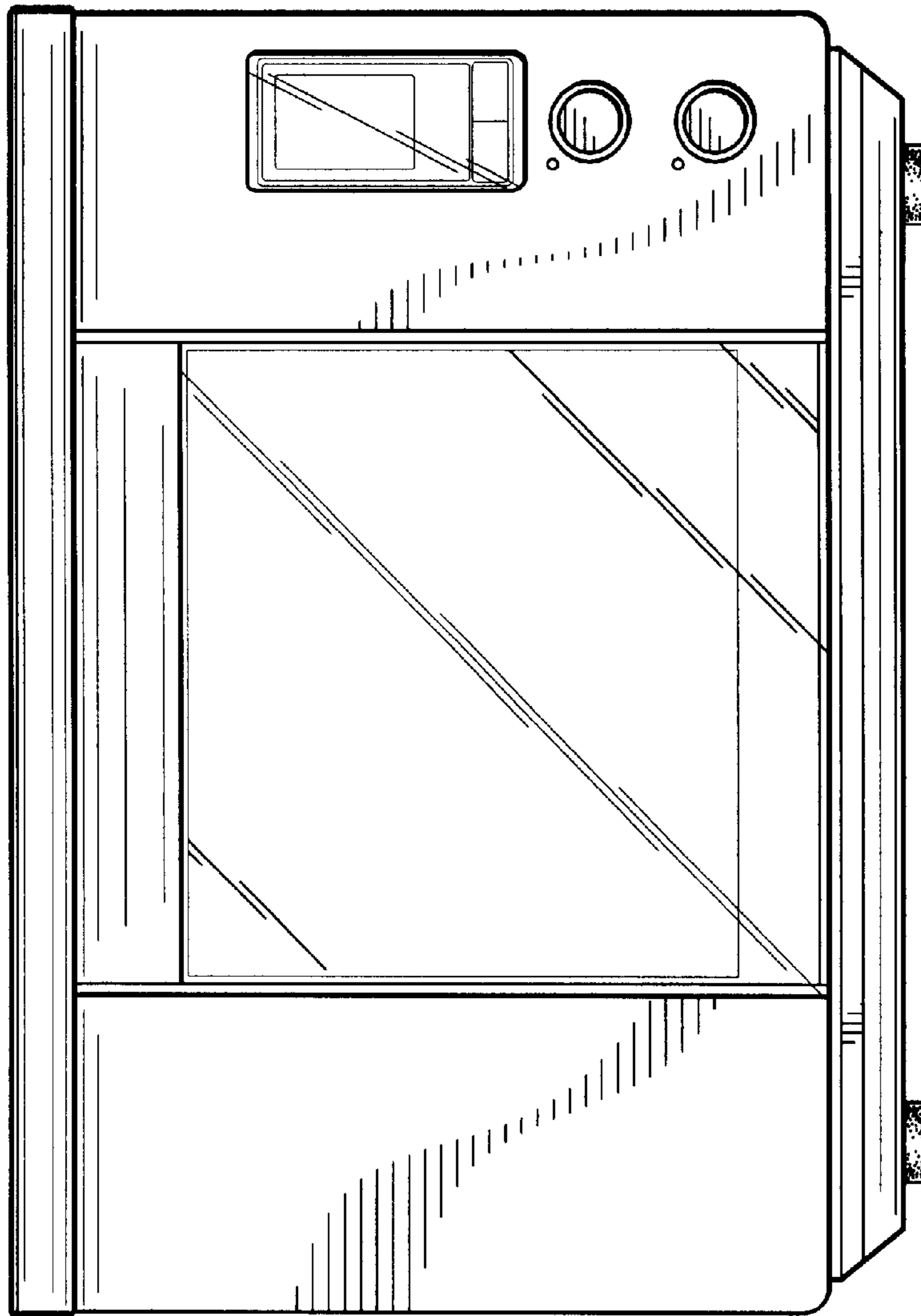


Fig. 2

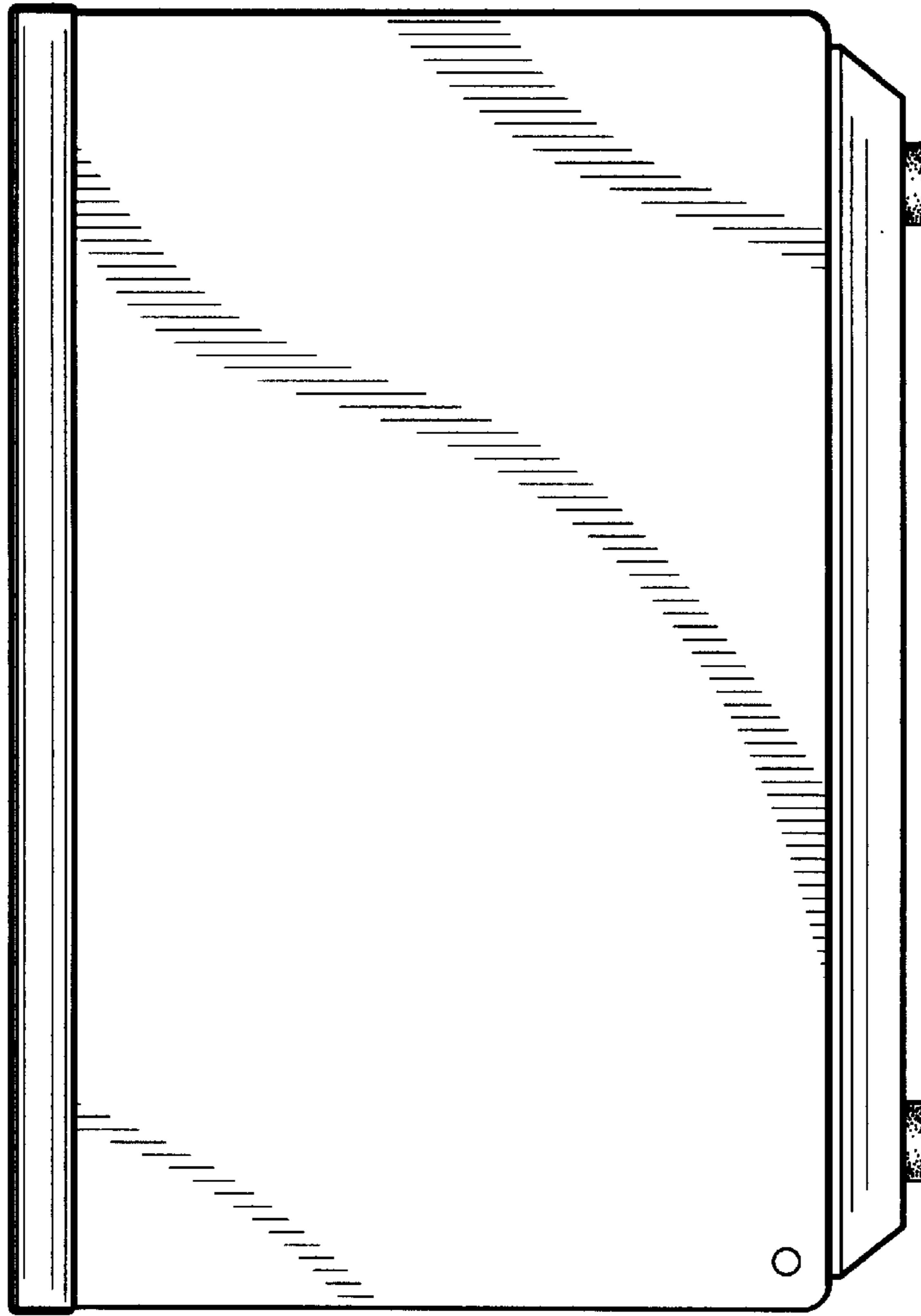


Fig. 3

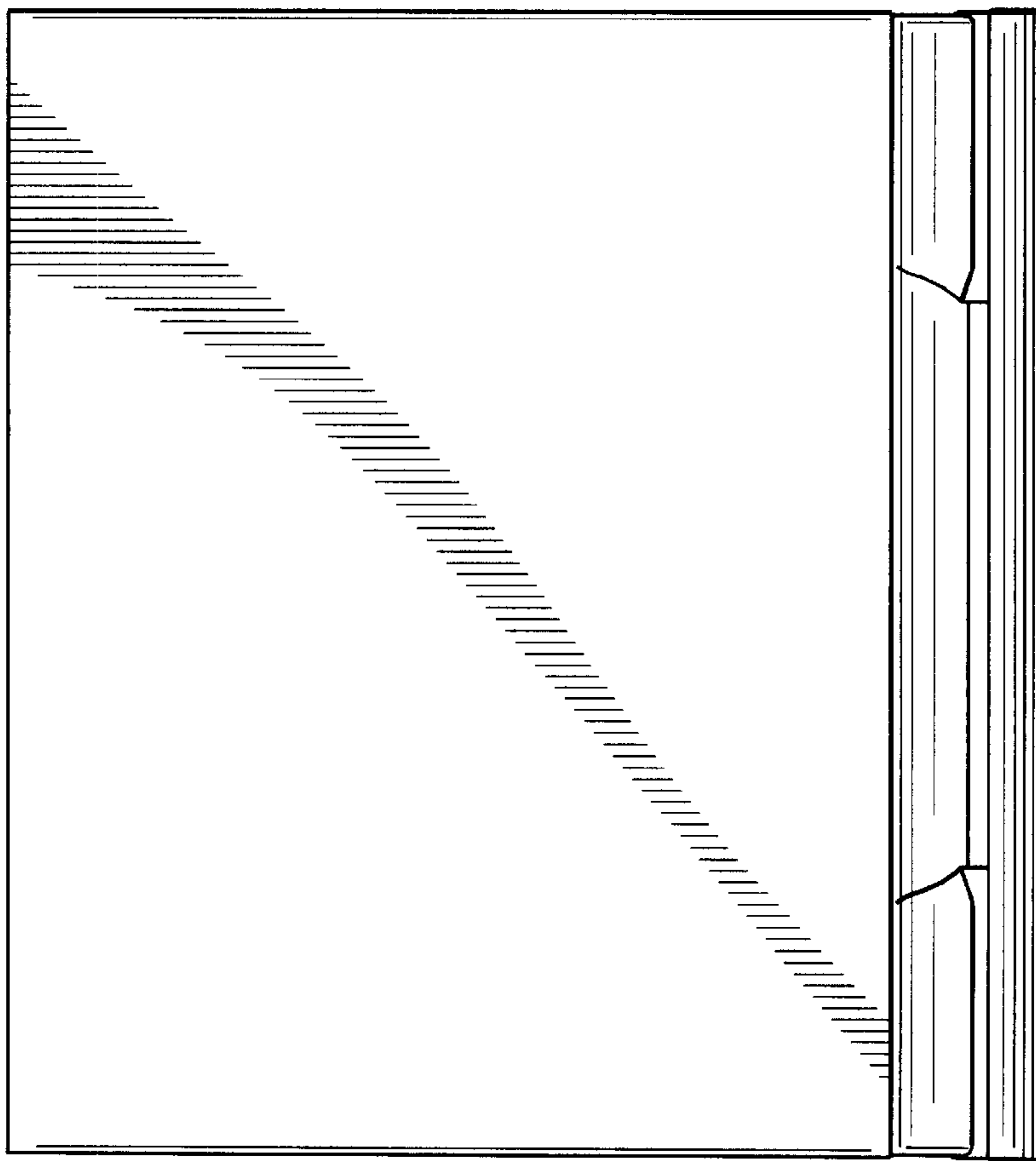


Fig. 4

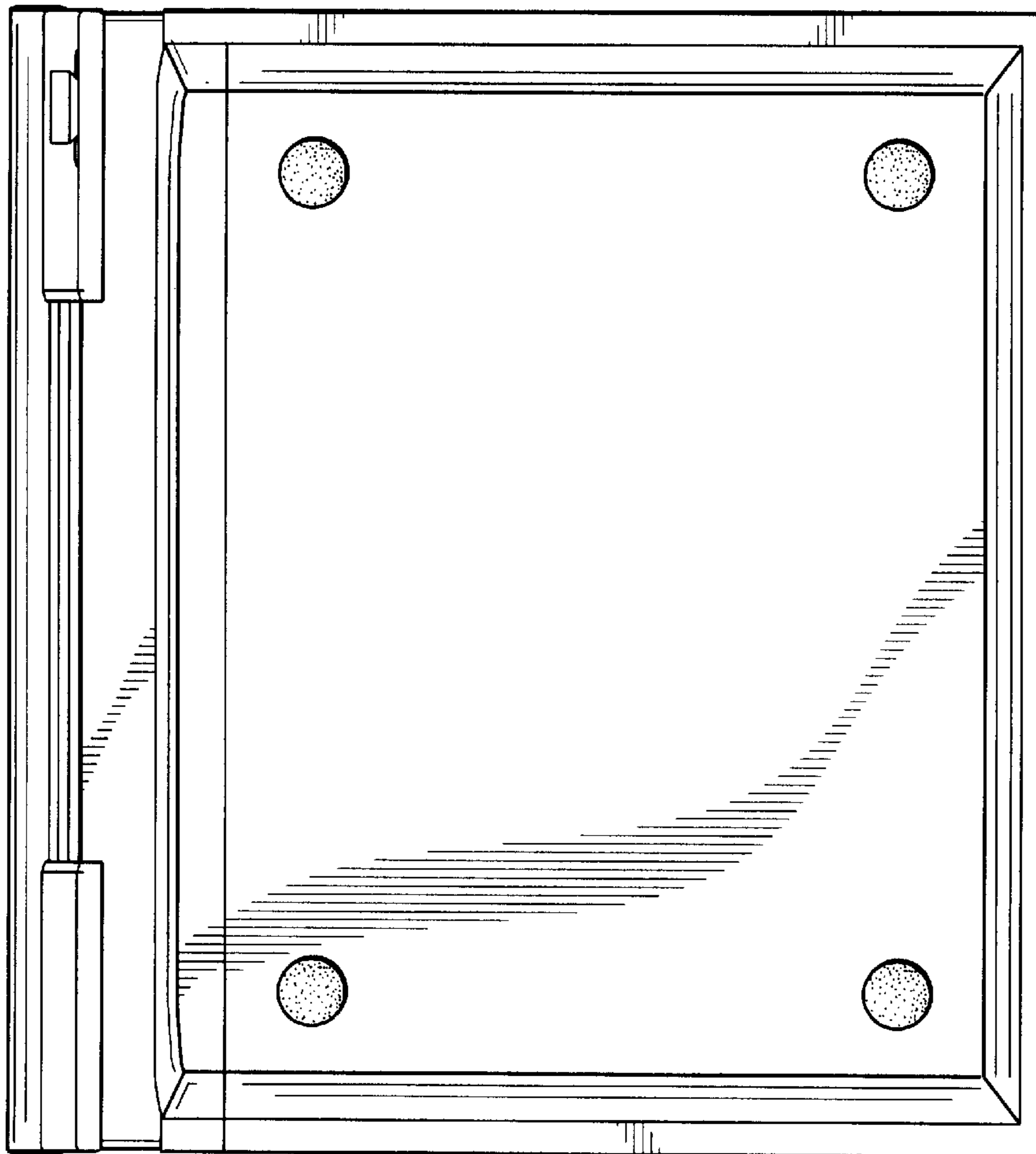


Fig. 5

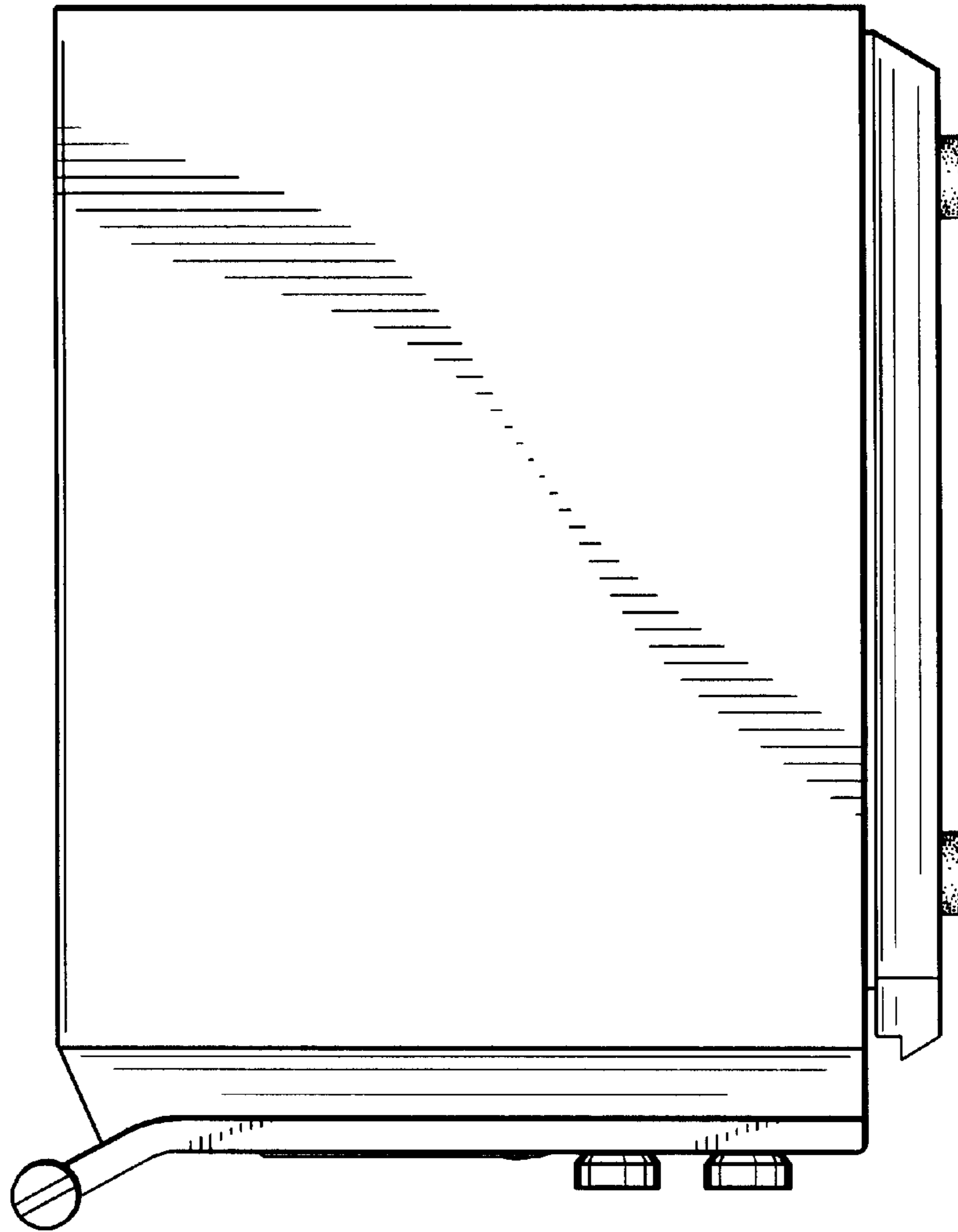


Fig. 6