



US00D539070S

(12) **United States Design Patent**
Giannone

(10) **Patent No.:** **US D539,070 S**

(45) **Date of Patent:** **** Mar. 27, 2007**

(54) **APPARATUS FOR PREPARING A HOT BEVERAGE**

(75) Inventor: **Alfonso Giannone**, Coccaglio (IT)

(73) Assignee: **Bialetti Industrie S.p.A.**, Brescia (IT)

(**) Term: **14 Years**

(21) Appl. No.: **29/221,608**

(22) Filed: **Jan. 19, 2005**

(30) **Foreign Application Priority Data**

Jul. 20, 2004 (EM) 000203690

(51) **LOC (8) Cl.** **07-01**

(52) **U.S. Cl.** **D7/318; D7/317**

(58) **Field of Classification Search** D7/317,
D7/316, 318, 319, 300; 99/303, 306, 293,
99/279; 81/3.09

See application file for complete search history.

(56) **References Cited**

U.S. PATENT DOCUMENTS

D229,917 S * 1/1974 Swett D10/46.3
3,935,804 A * 2/1976 Perez 99/293
4,038,914 A * 8/1977 Crespo et al. 99/279
4,098,176 A * 7/1978 Perez 99/303
4,491,040 A * 1/1985 Corona 81/3.09
4,557,187 A * 12/1985 DePonti 99/279

D399,384 S * 10/1998 Ranzoni D7/318
5,894,785 A * 4/1999 Molinari 99/303
D484,356 S * 12/2003 Bodum D7/318
D504,046 S * 4/2005 Fuentes D7/318
D515,349 S * 2/2006 Gillisie D7/319

* cited by examiner

Primary Examiner—M. N. Pandozzi

(74) *Attorney, Agent, or Firm*—Hogan & Hartson LLP

(57) **CLAIM**

The ornamental design of an apparatus for preparing a hot beverage, as shown and described.

DESCRIPTION

FIG. 1 is a right perspective view of the apparatus for preparing a hot beverage;

FIG. 2 is a left perspective view of the apparatus for preparing a hot beverage;

FIG. 3 is a side view (the other side is identical) of the apparatus for preparing a hot beverage;

FIG. 4 is a plan view of the apparatus for preparing a hot beverage;

FIG. 5 is a rear view of the apparatus for preparing a hot beverage;

FIG. 6 is a front view of the apparatus for preparing a hot beverage; and,

FIG. 7 is a bottom view of the apparatus for preparing a hot beverage.

1 Claim, 7 Drawing Sheets



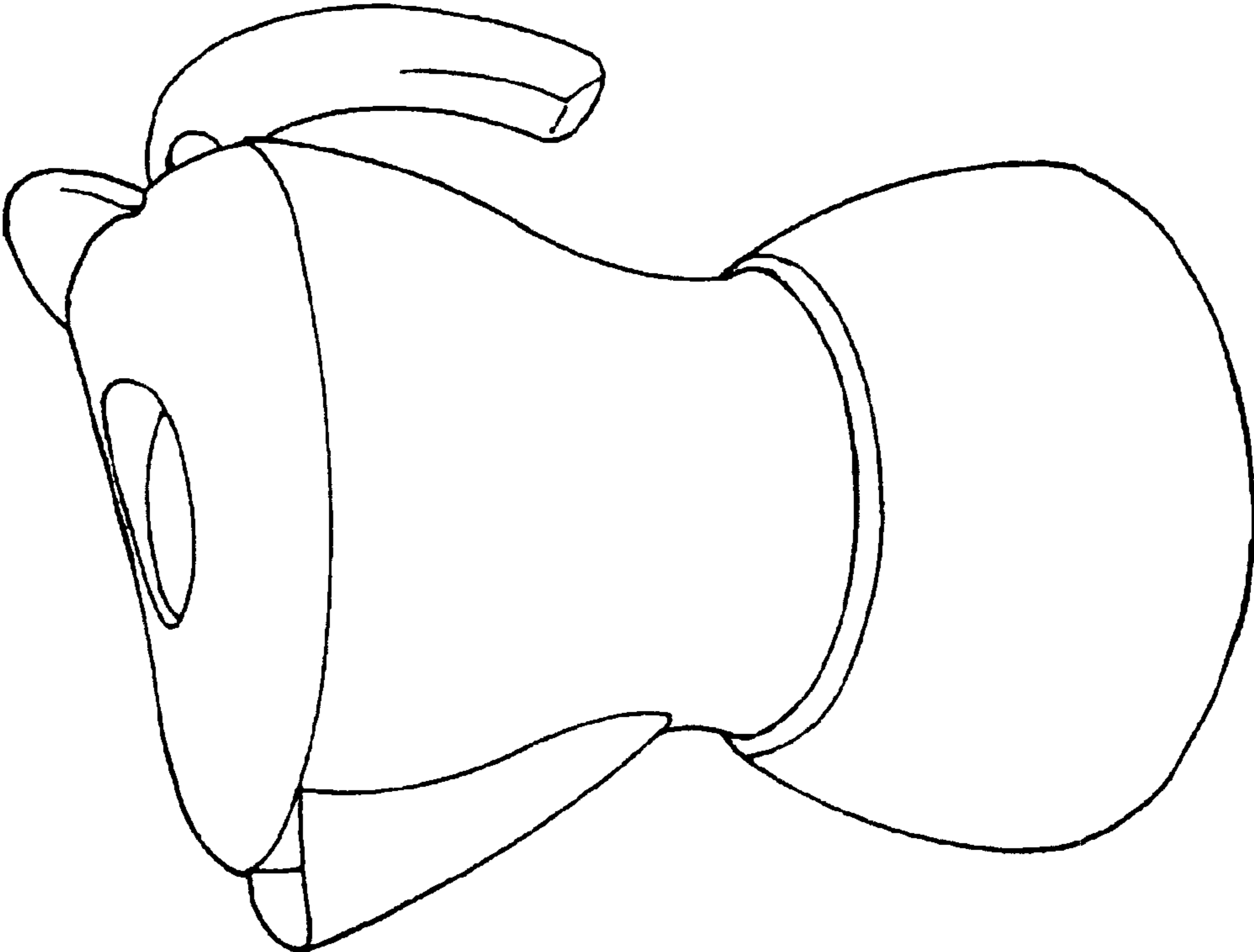


FIG. 1

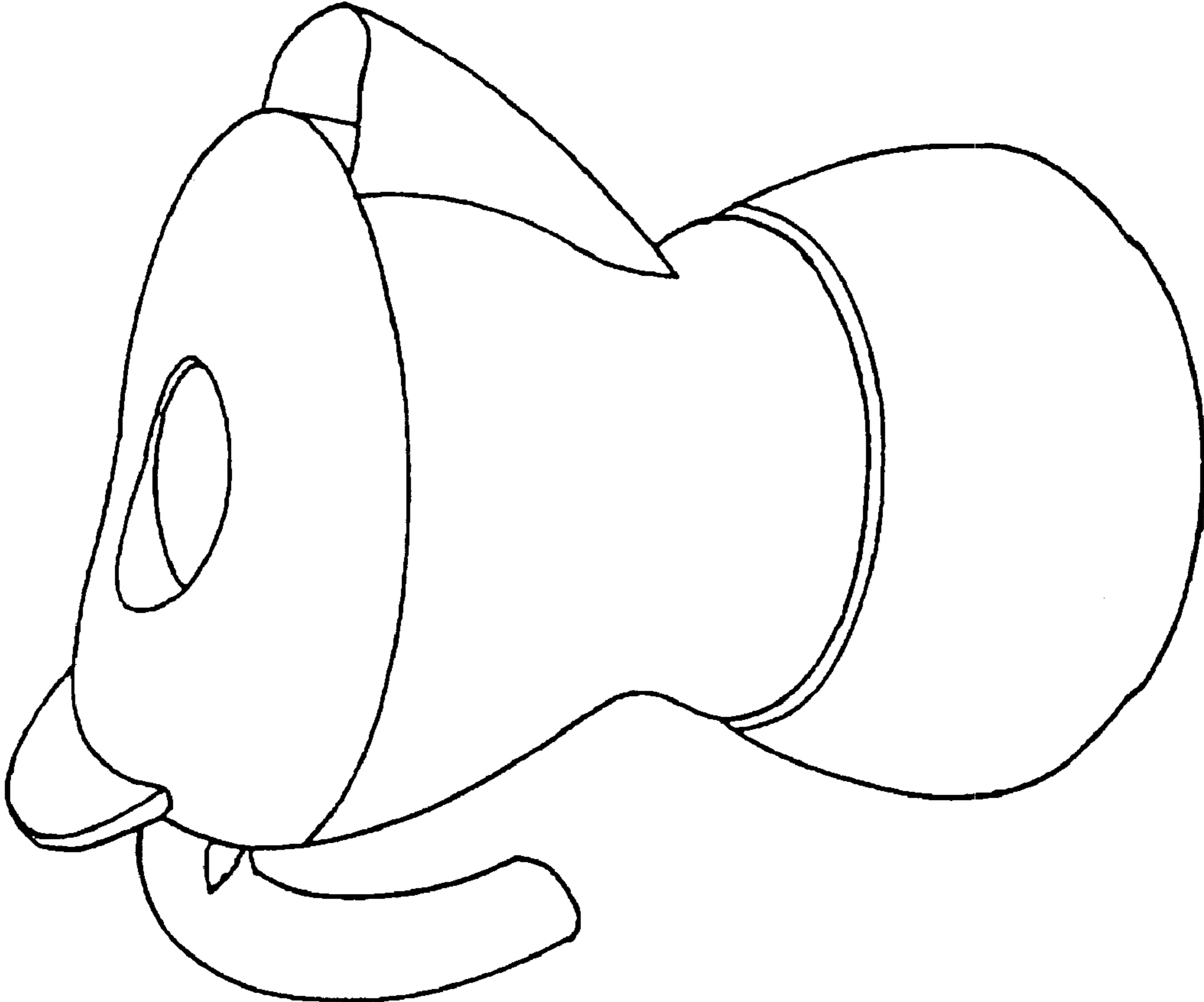


FIG. 2

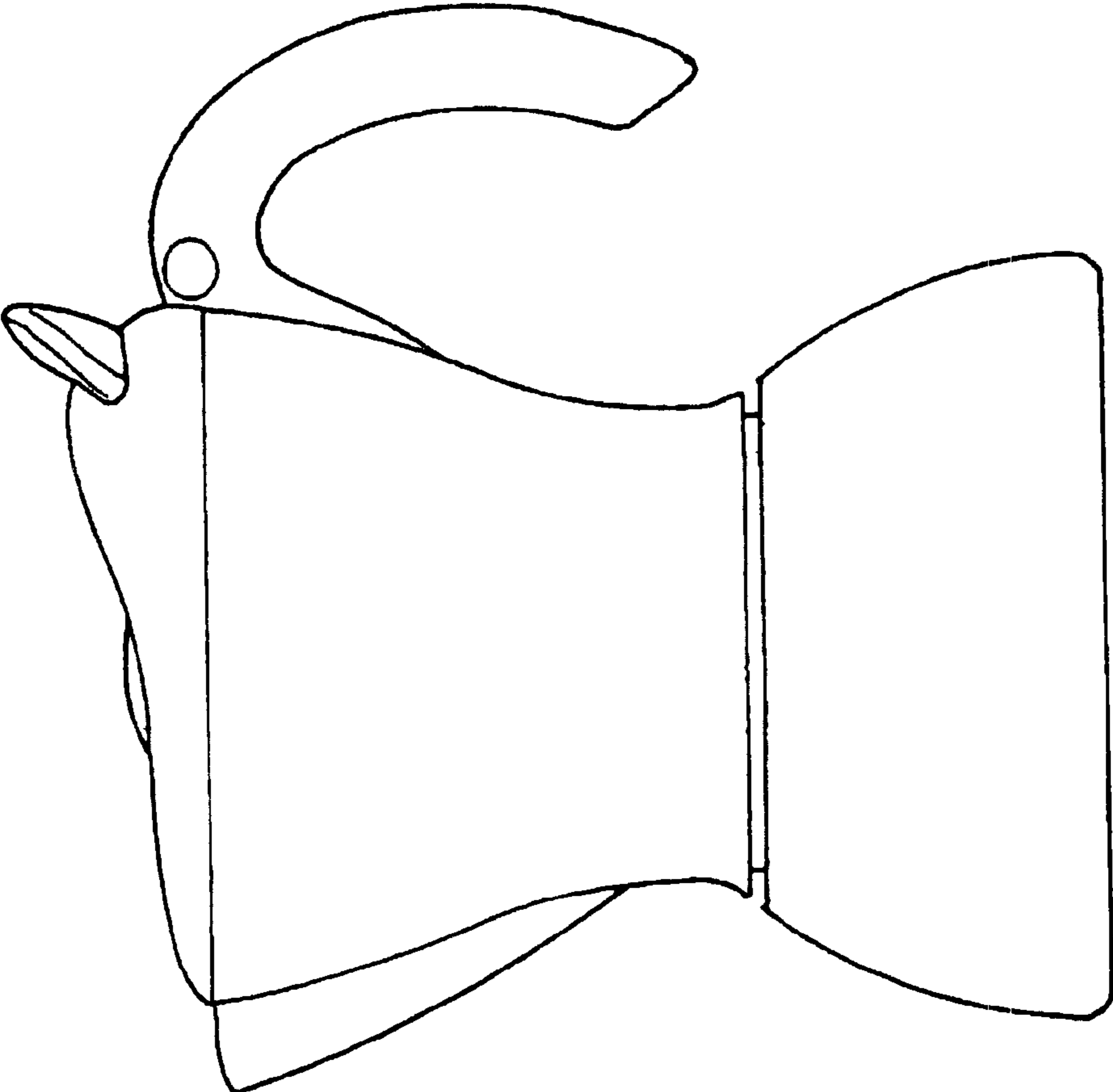


FIG. 3

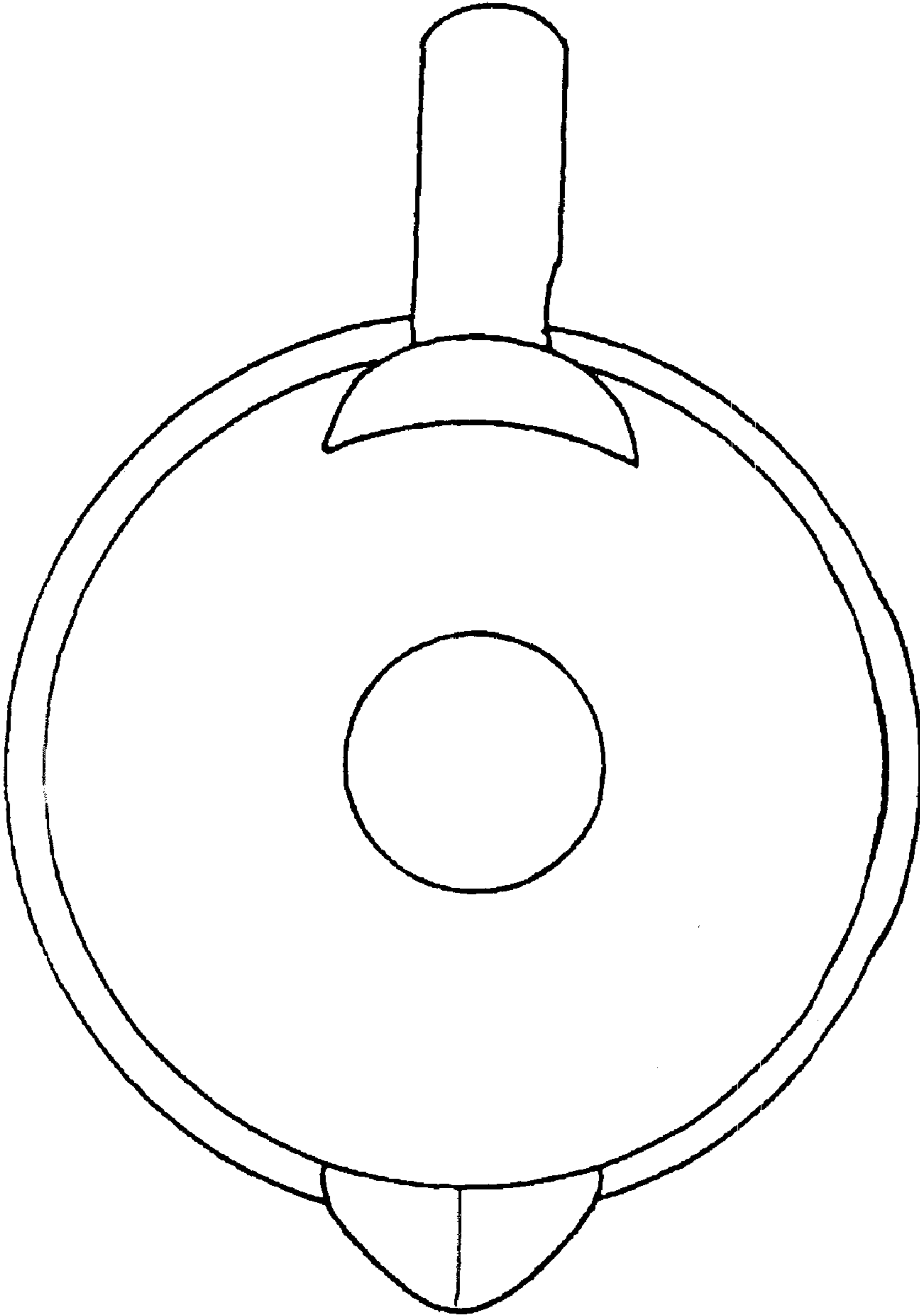


FIG. 4

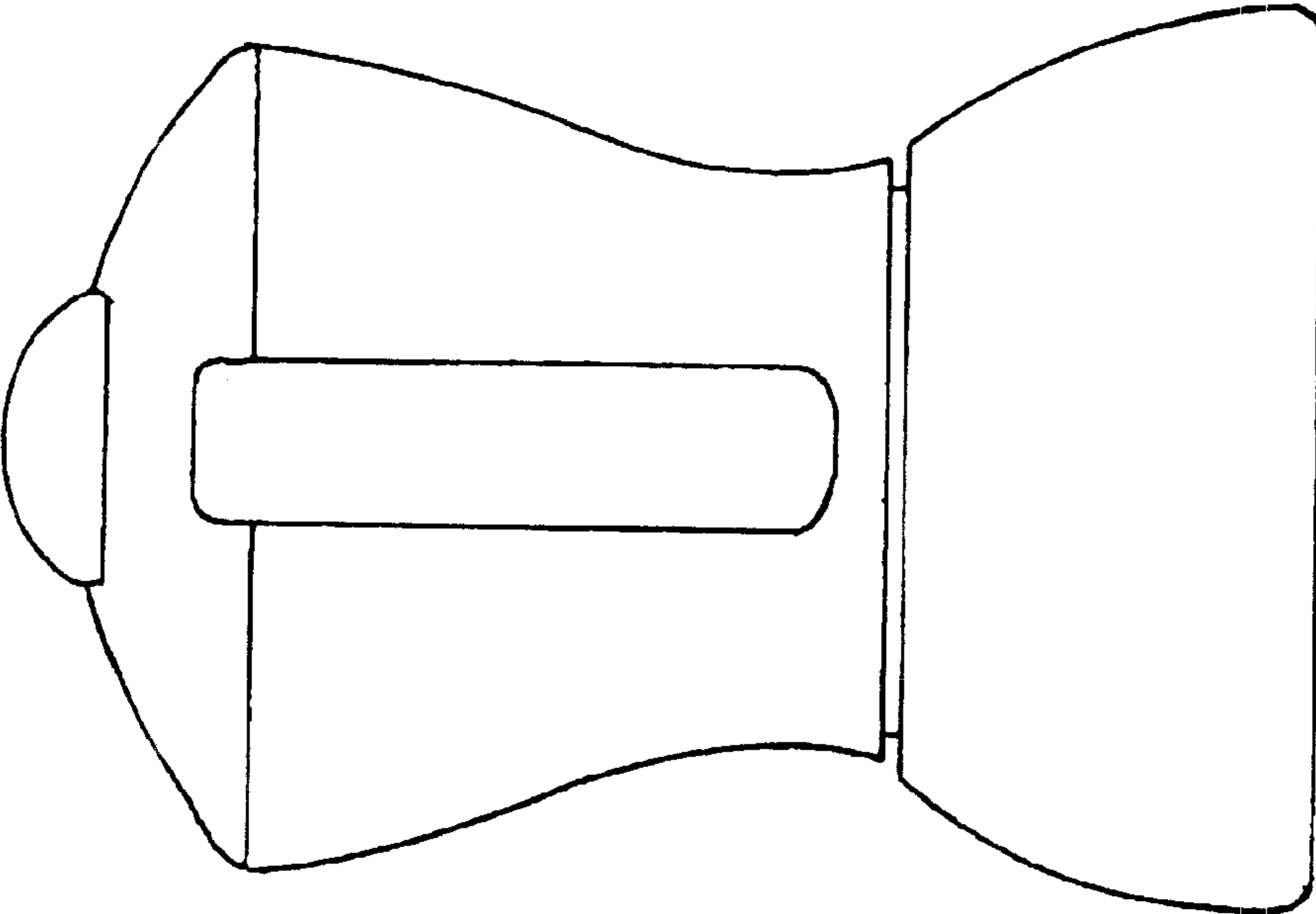


FIG. 5

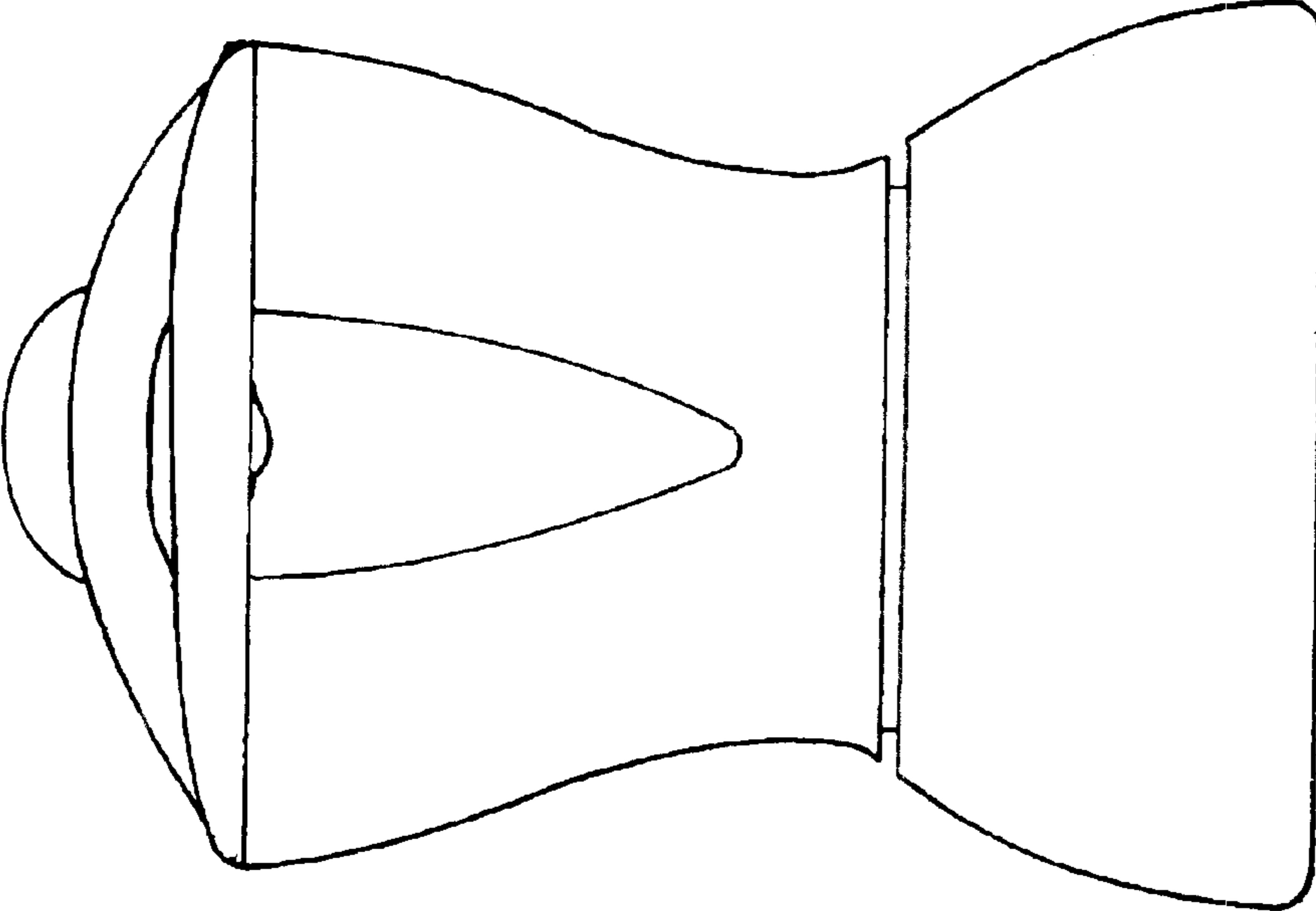


FIG. 6

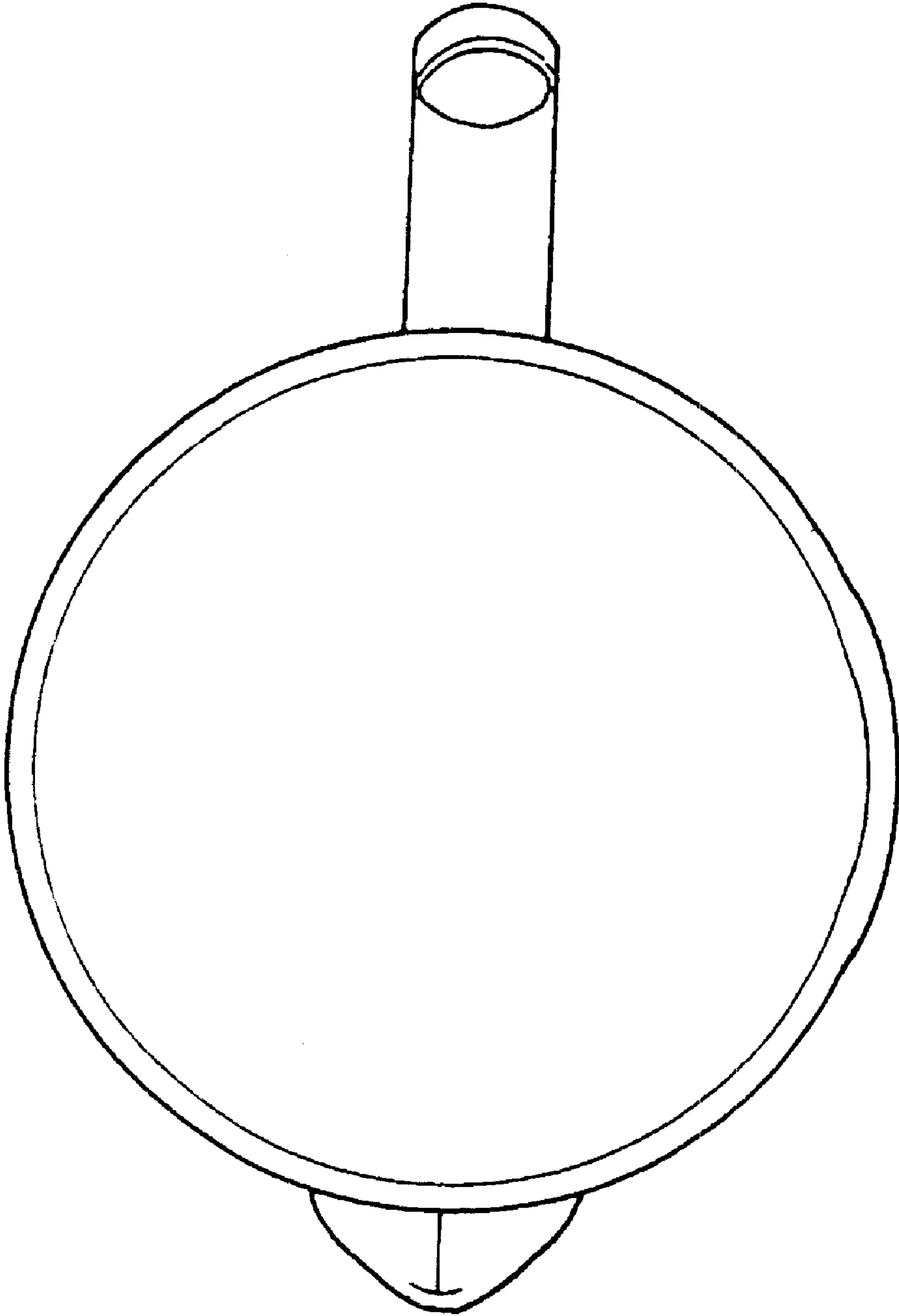


FIG. 7

UNITED STATES PATENT AND TRADEMARK OFFICE
CERTIFICATE OF CORRECTION

PATENT NO. : Des. 539,070 S
APPLICATION NO. : 29/221608
DATED : March 27, 2007
INVENTOR(S) : Alfonso Giannone

Page 1 of 1

It is certified that error appears in the above-identified patent and that said Letters Patent is hereby corrected as shown below:

Title Page:
In SECTION 30:

Please **add** the following prior Foreign Application Priority Date to read as follows:

MI20040000176 ITALY July 20, 2004

Signed and Sealed this

Twenty-sixth Day of June, 2007

A handwritten signature in black ink on a light gray dotted background. The signature reads "Jon W. Dudas" in a cursive style.

JON W. DUDAS

Director of the United States Patent and Trademark Office