



US00D539064S

(12) **United States Design Patent**
Militello et al.

(10) **Patent No.:** **US D539,064 S**
(45) **Date of Patent:** **** Mar. 27, 2007**

(54) **HEMI-CIRCULAR WINDOW SHADE SUPPORT BASE**

(75) Inventors: **David R. Militello**, Rohnert Park, CA (US); **Barry L. Shevick**, Fair Oaks, CA (US)

(73) Assignee: **Shades Unlimited, Inc.**, Cotati, CA (US)

(**) Term: **14 Years**

(21) Appl. No.: **29/208,096**

(22) Filed: **Jun. 22, 2004**

(51) **LOC (8) Cl.** **06-10**

(52) **U.S. Cl.** **D6/580**

(58) **Field of Classification Search** D6/575, D6/579, 580, 570, 449, 466, 470, 472, 475; D19/90, 92; D7/504, 601, 631; 211/40; 160/84.07, 160/134

See application file for complete search history.

5,598,883 A 2/1997 Platsis

5,662,153 A * 9/1997 Rosenblatt 160/84.07

5,765,619 A 6/1998 Arnold

5,794,680 A 8/1998 Xue

D412,770 S * 8/1999 Martinez et al. D1/101

D421,272 S * 2/2000 Patel D19/90

6,029,733 A 2/2000 Xue

D433,584 S * 11/2000 Wujastyk D6/470

6,145,569 A 11/2000 Shaw

D436,758 S * 1/2001 Rodrigues D6/470

6,257,301 B1 7/2001 Conforti

D446,967 S * 8/2001 Stravitz D6/449

6,341,447 B1 1/2002 Jean

D455,293 S * 4/2002 Stravitz D6/449

6,390,172 B1 5/2002 Fleishman

6,561,257 B2 5/2003 Huang

6,640,868 B1 11/2003 Guggisberg

D524,112 S * 7/2006 Cogley D7/601

2001/0009179 A1 7/2001 Huang

2004/0188035 A1 * 9/2004 Abita et al. 160/84.07

* cited by examiner

Primary Examiner—Holly H. Baynham
Assistant Examiner—Cynthia M. Chin
 (74) *Attorney, Agent, or Firm*—Heisler & Associates

(56) **References Cited**

U.S. PATENT DOCUMENTS

D130,042 S * 10/1941 Meyer D6/472

D156,693 S * 1/1950 Bergal D6/475

D177,713 S * 5/1956 Bracken D6/475

D206,277 S * 11/1966 Geoff D6/475

D232,212 S * 7/1974 Glover et al. D6/475

D248,140 S * 6/1978 Comfort et al. D6/475

D264,786 S * 6/1982 Faas et al. D6/475

4,539,239 A 9/1985 Graves

D296,168 S * 6/1988 Weaver D6/475

4,776,380 A 10/1988 Lester

5,010,939 A 4/1991 King

D318,984 S * 8/1991 Wickham et al. D7/601

5,044,418 A 9/1991 Donahue

5,050,661 A 9/1991 Sikkema

5,159,966 A 11/1992 Fleishman

5,183,092 A 2/1993 Jelic

5,184,659 A 2/1993 Alcocer

5,471,789 A 12/1995 Faircloth

5,584,329 A 12/1996 Thomas

(57) **CLAIM**

The ornamental design for a hemi-circular window shade support base, as shown and described.

DESCRIPTION

FIG. 1 is a reduced perspective view of the quadra-circular window shade support base in use;

FIG. 2 is a perspective view of the hemi-circular window shade support base;

FIG. 3 is a left side view of the invention, the right side view being a mirror image;

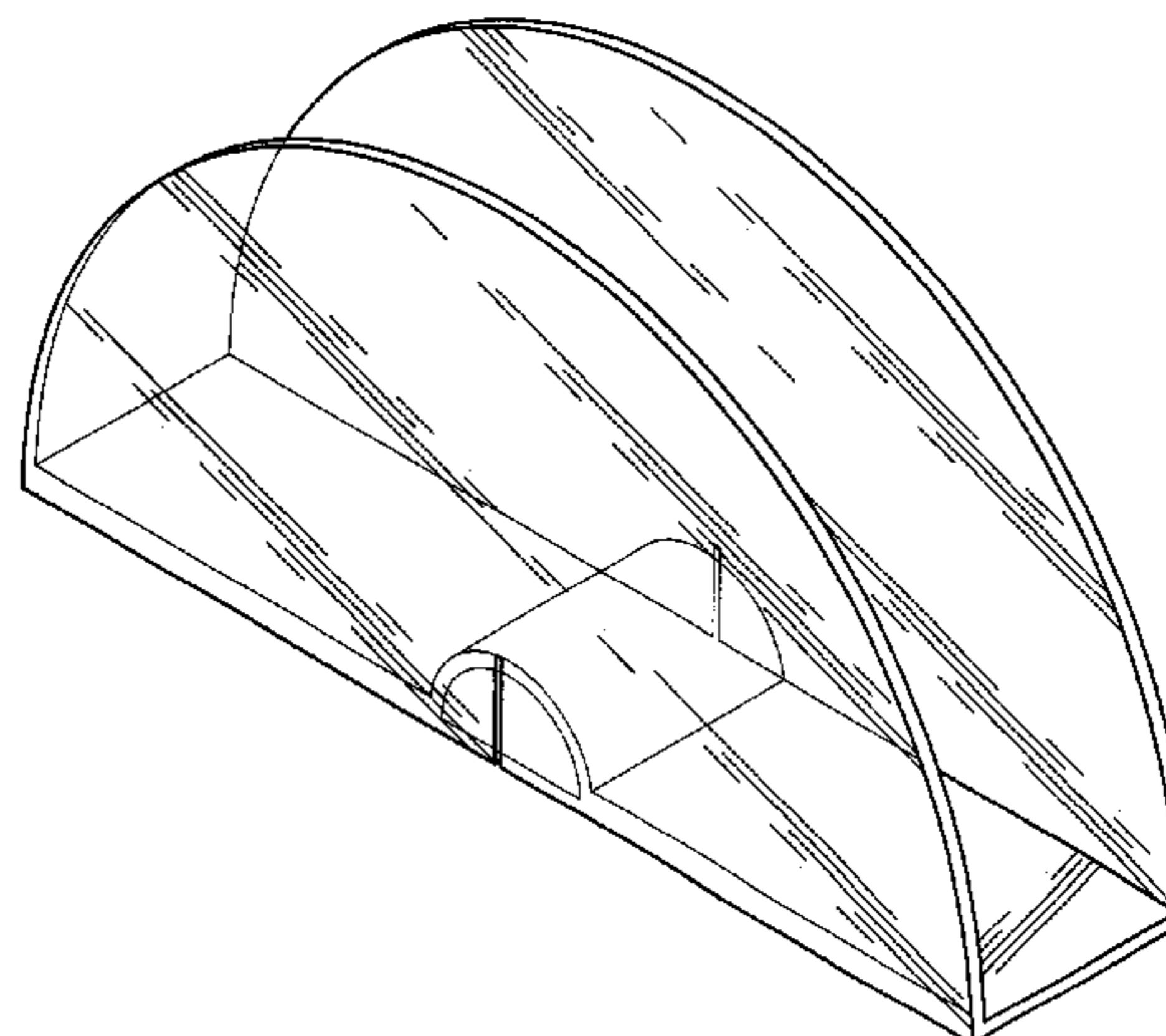
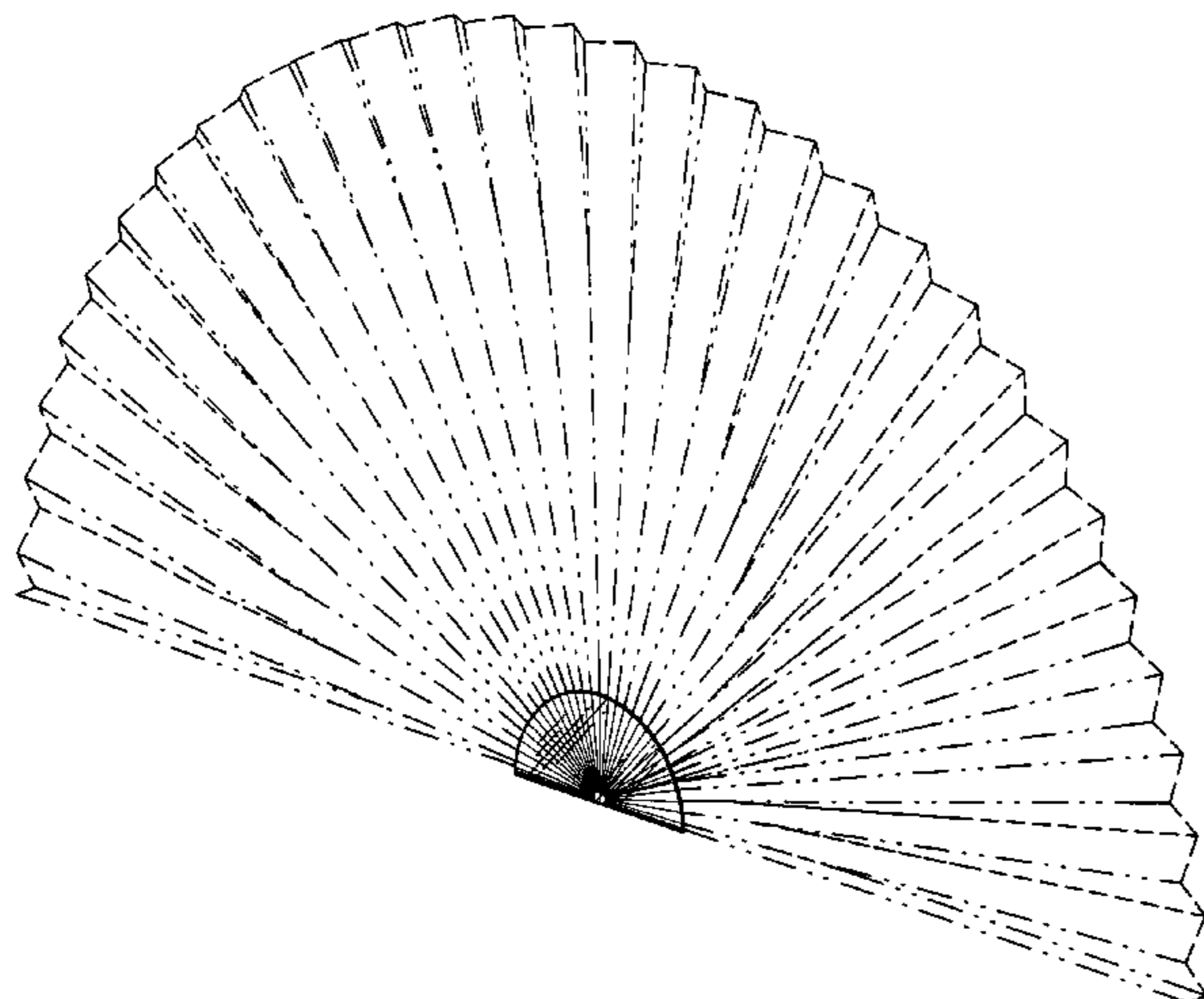
FIG. 4 is a top plan of the invention;

FIG. 5 is a front elevation view of the invention; and,

FIG. 6 is a bottom plan view of the invention.

The broken lines in FIG. 1 are for purposes of illustration only and form no part of the claimed design.

1 Claim, 2 Drawing Sheets



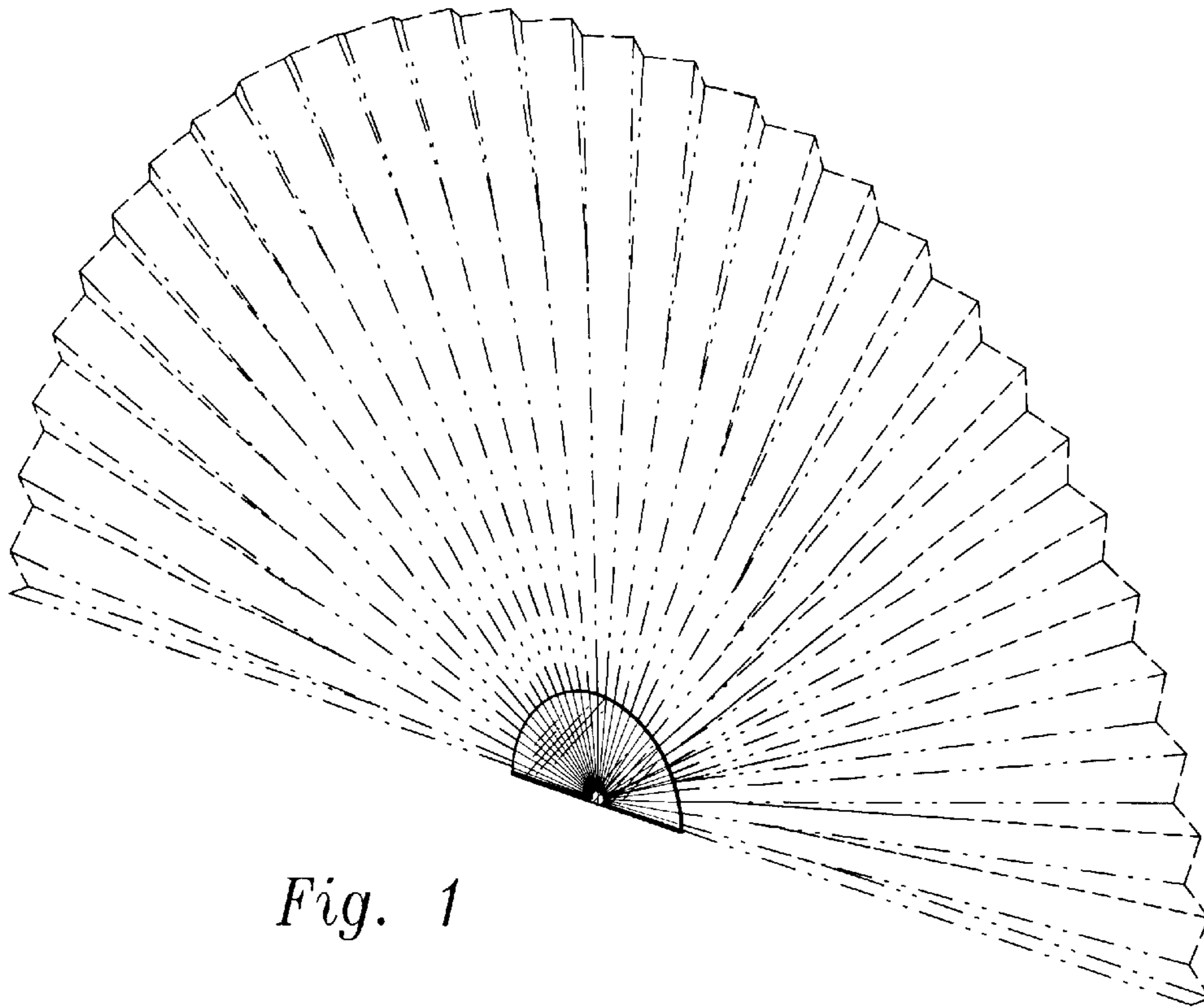


Fig. 1

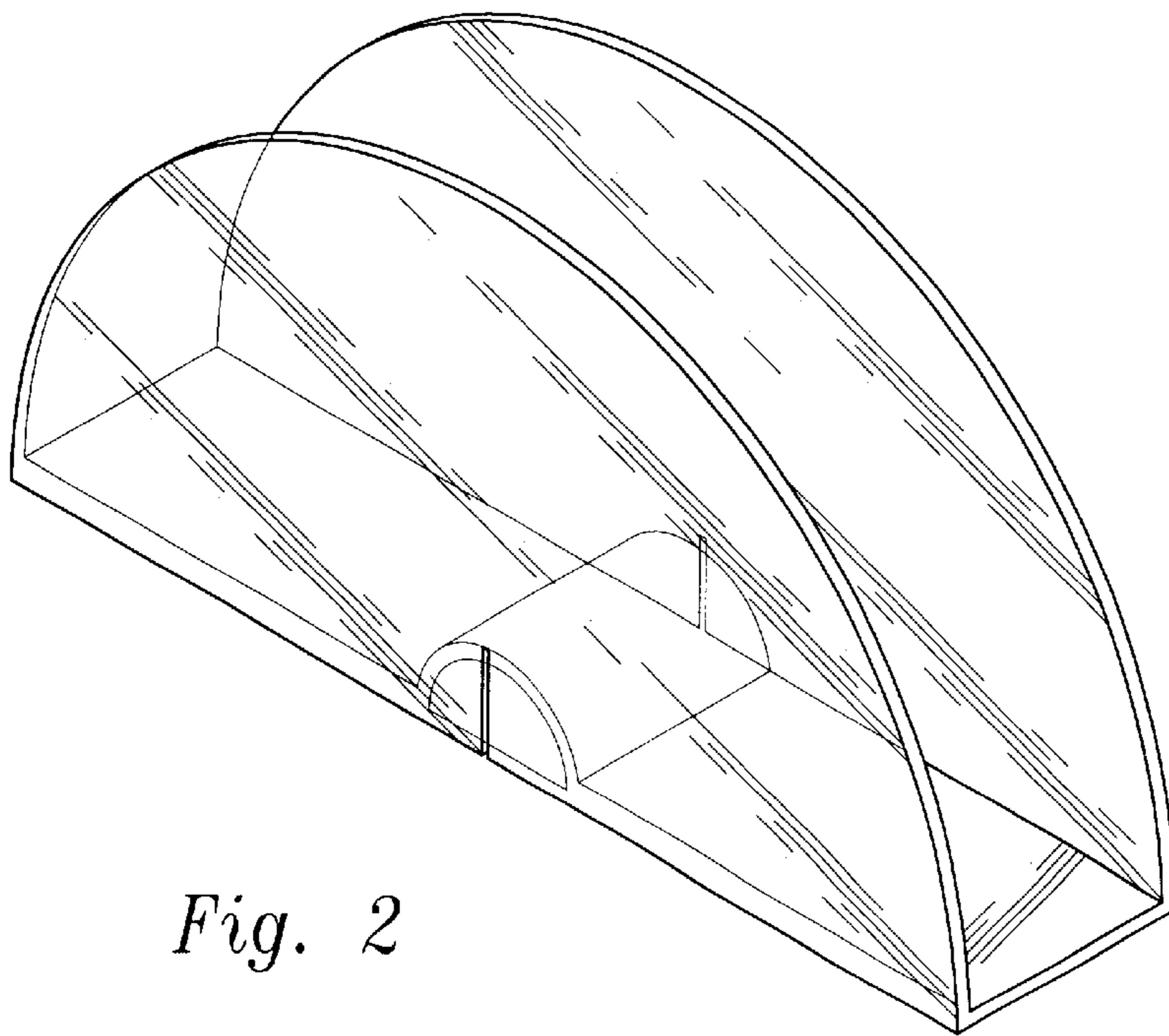


Fig. 2

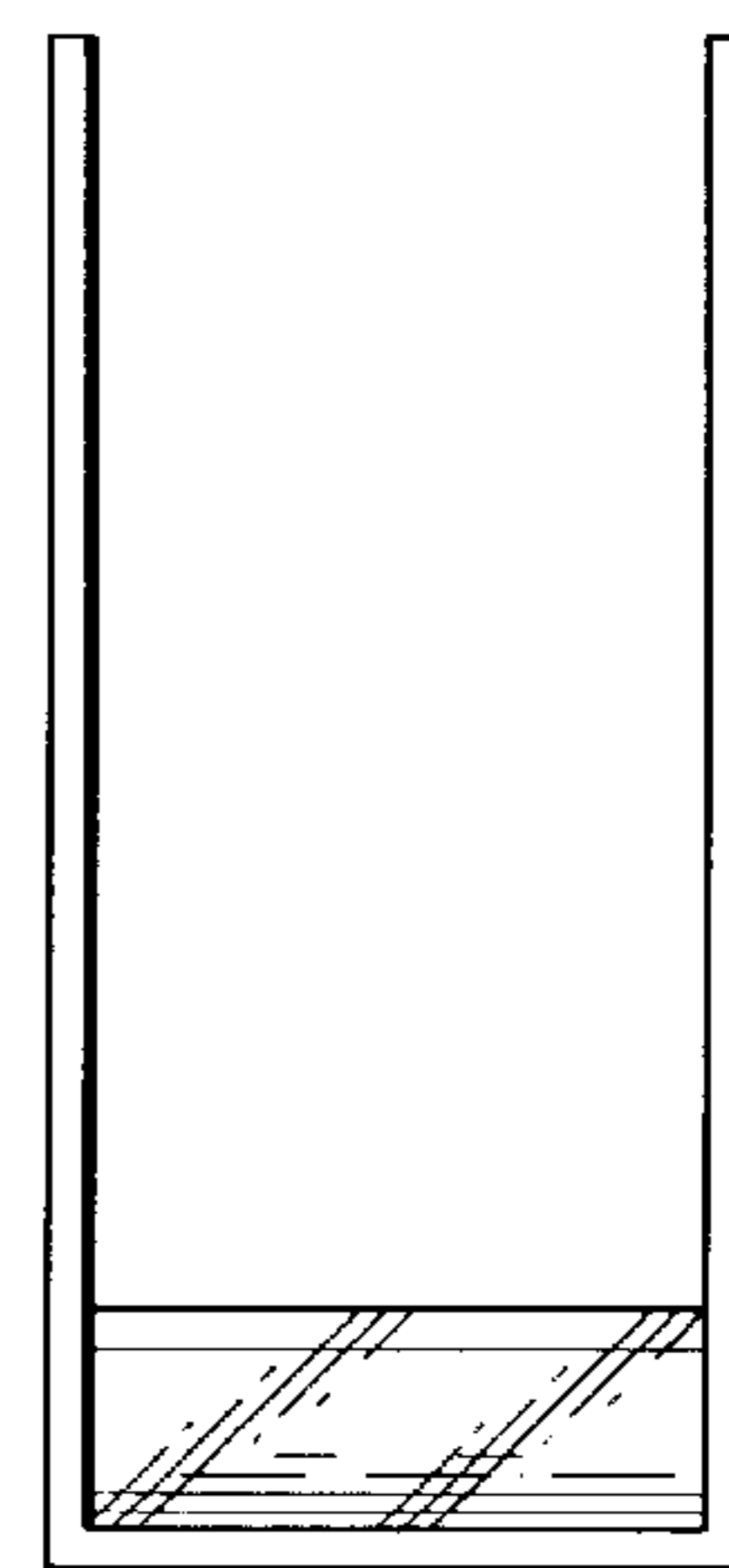


Fig. 3

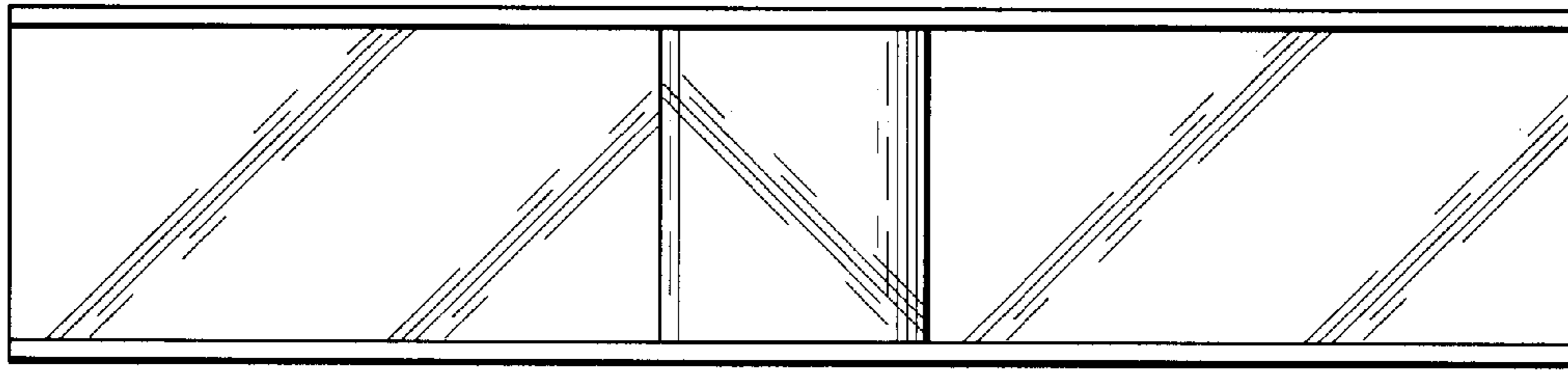


Fig. 4

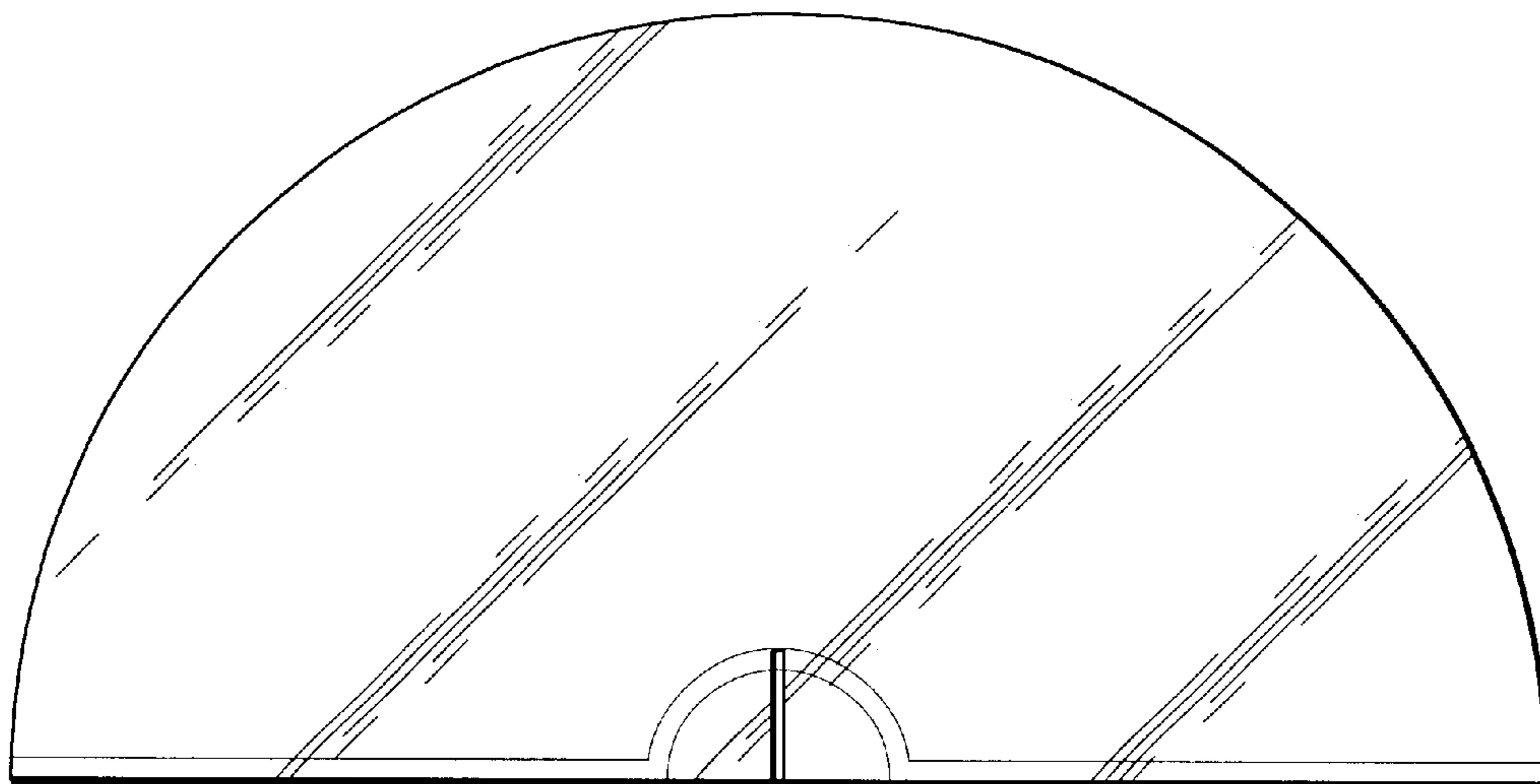


Fig. 5

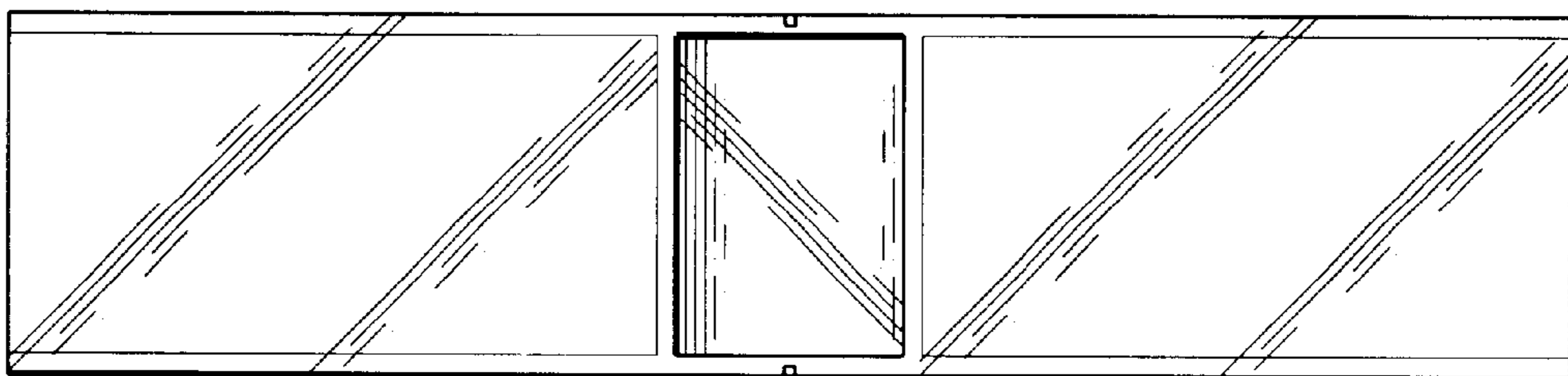


Fig. 6