

US00D539063S

(12) **United States Design Patent**
Haag

(10) **Patent No.:** **US D539,063 S**

(45) **Date of Patent:** **** Mar. 27, 2007**

(54) **PORTABLE WORK DECK**

(74) *Attorney, Agent, or Firm*—Bacon & Thomas, PLLC

(76) Inventor: **Harley J. Haag**, 2903 Governor Dr.,
San Diego, CA (US) 92122

(57) **CLAIM**

(**) Term: **14 Years**

The ornamental design for a portable work deck, as shown and described.

(21) Appl. No.: **29/224,949**

(22) Filed: **Mar. 10, 2005**

DESCRIPTION

(51) **LOC (8) Cl.** **06-06**

FIG. 1 is a front perspective view of my new design for a portable work deck. Those portions shown in broken lines are for illustrative purposes only and form no part of the claimed invention;

(52) **U.S. Cl.** **D6/511**

(58) **Field of Classification Search** D6/480–489,
D6/511, 422, 427, 400; 108/153.1, 155, 156,
108/157.1, 161; 144/285, 286.1
See application file for complete search history.

FIG. 2 is a top plan view of the portable work deck of FIG. 1;

(56) **References Cited**

U.S. PATENT DOCUMENTS

- D109,317 S * 4/1938 Ericson D6/427
- D275,353 S * 9/1984 Dunbar D6/483
- D336,185 S * 6/1993 Deinen et al. D6/486

FIG. 3 is a bottom plan view thereof;

FIG. 4 is a front elevational view thereof;

OTHER PUBLICATIONS

IKEA 2001, back insert desk top at right.*

* cited by examiner

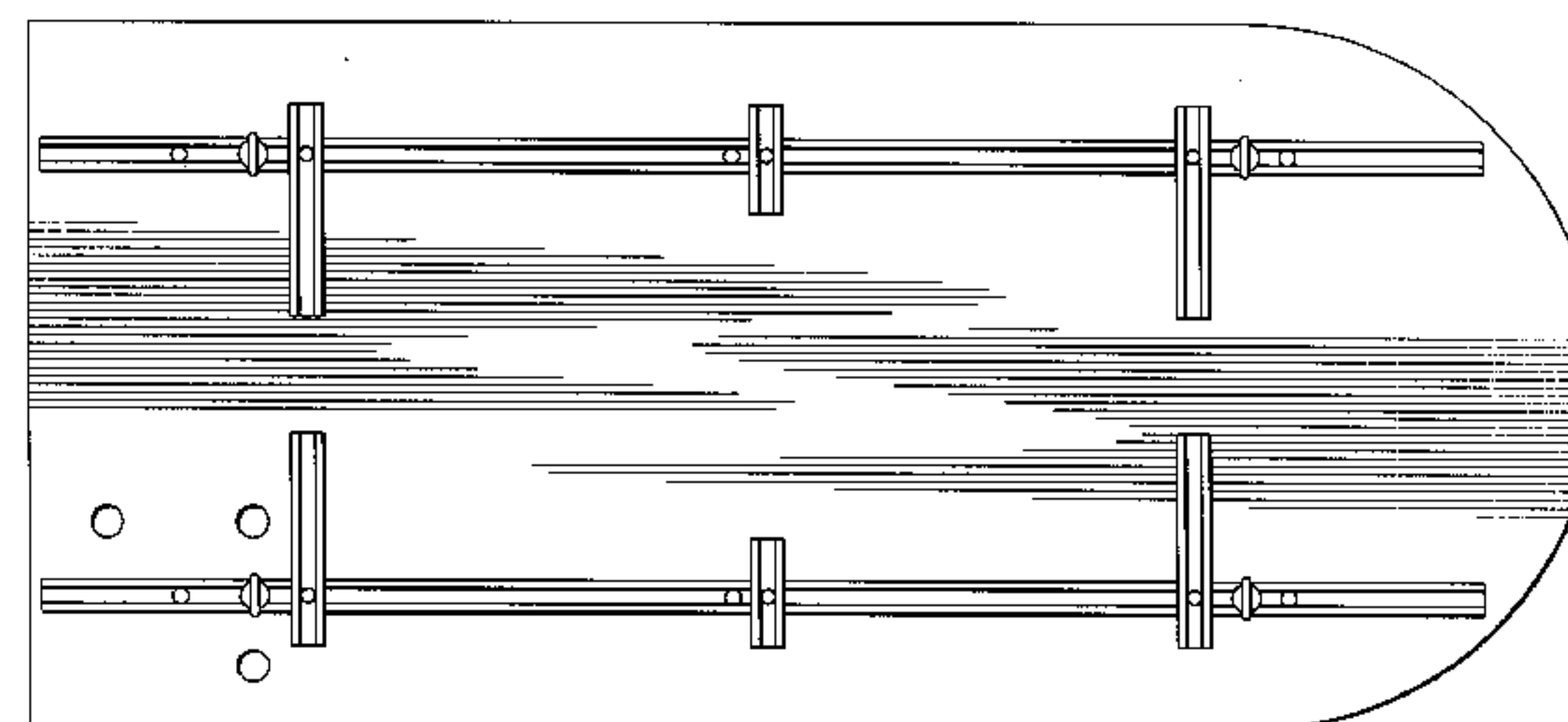
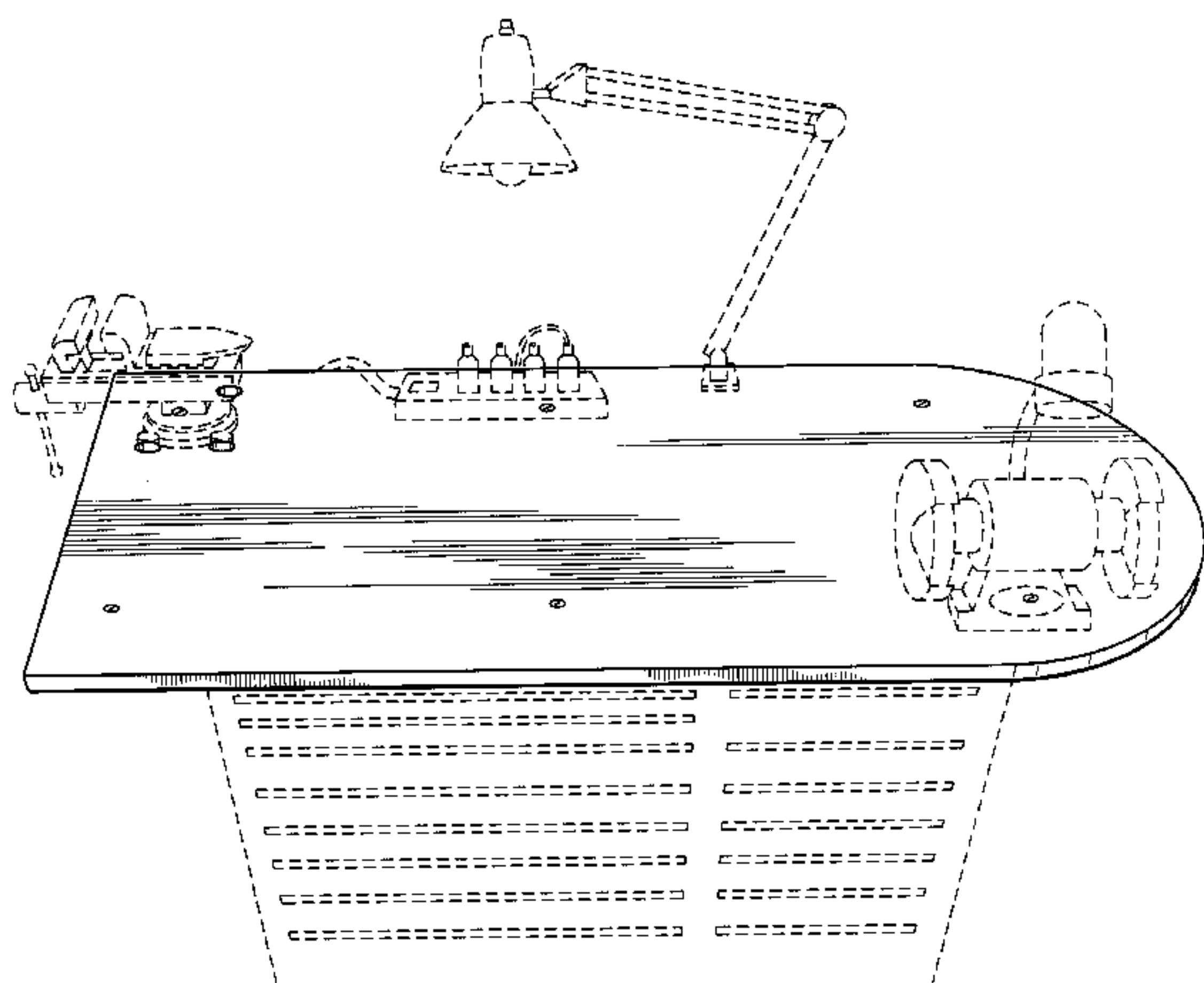
FIG. 5 is a rear elevational view thereof;

FIG. 6 is a left side elevational view thereof; and,

FIG. 7 is a right side elevational view thereof.

Primary Examiner—Janice E. Seeger

1 Claim, 2 Drawing Sheets



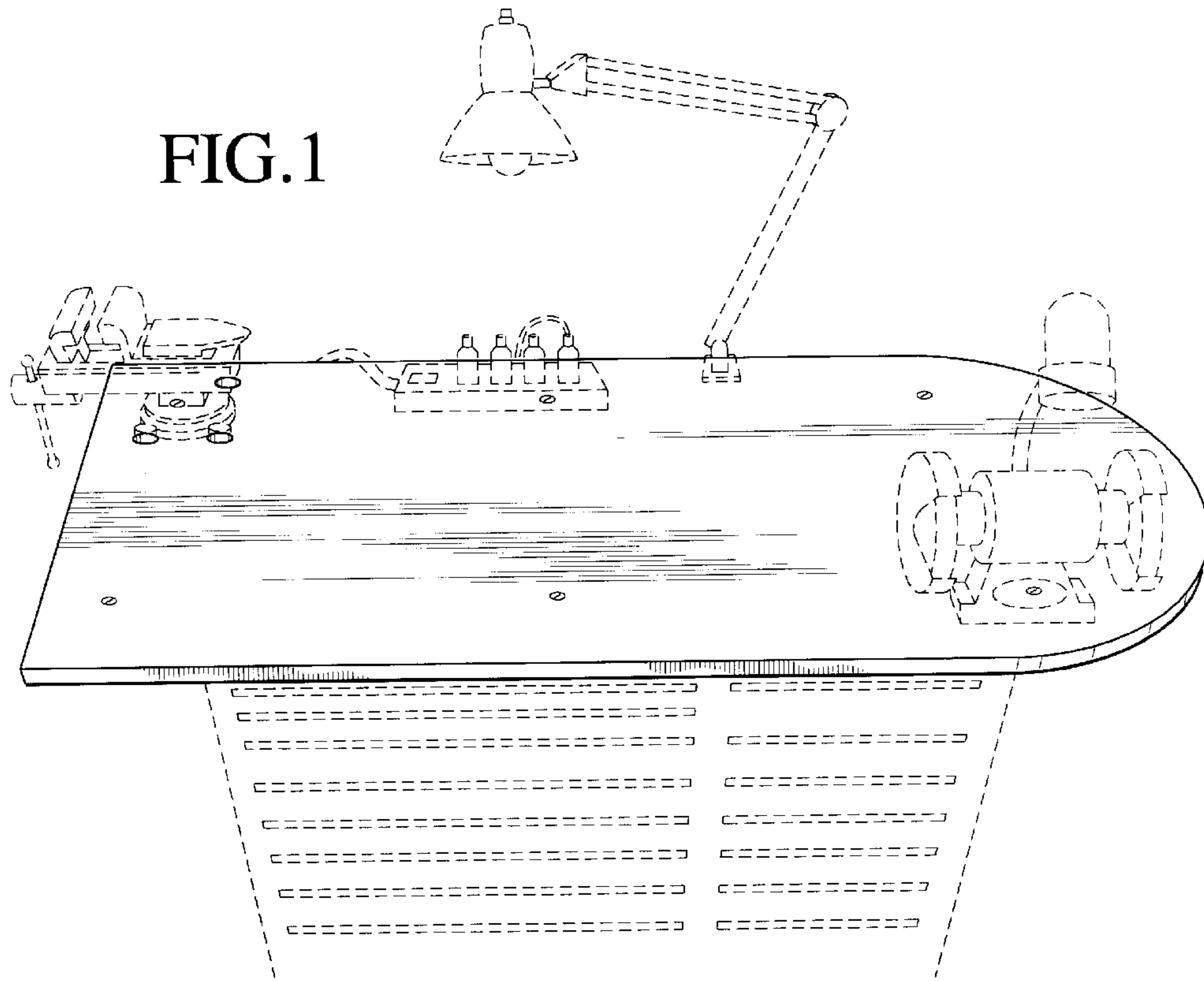


FIG.2

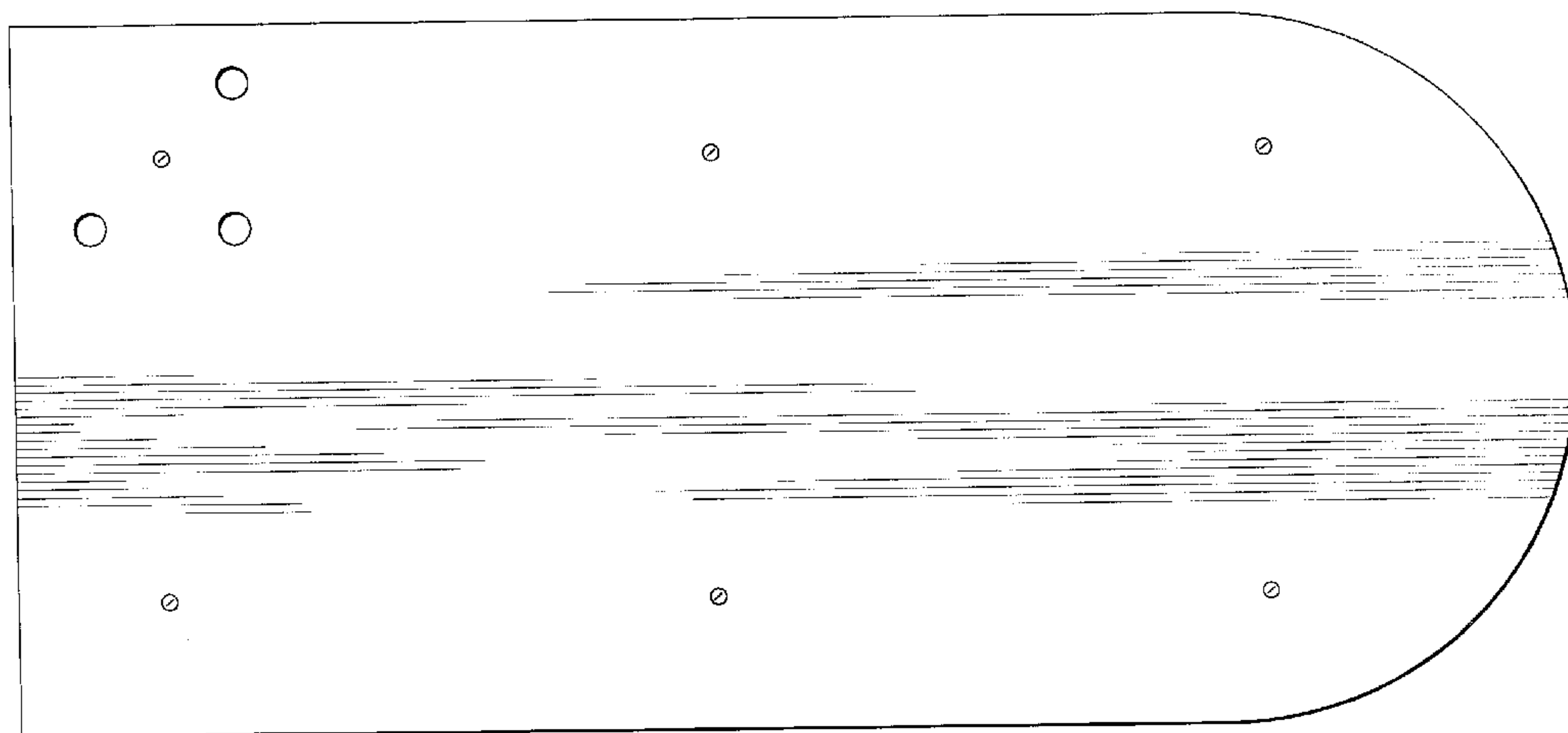


FIG.3

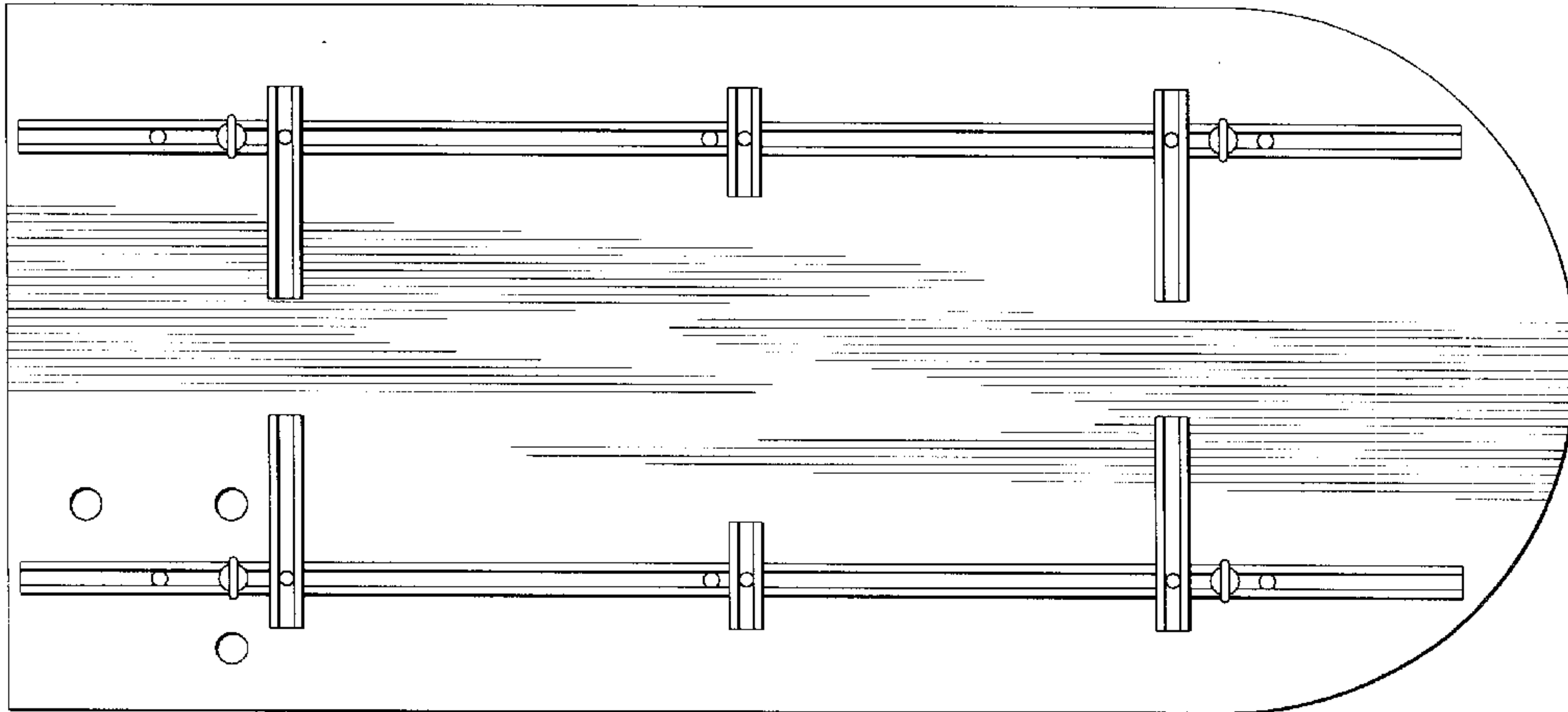


FIG.4

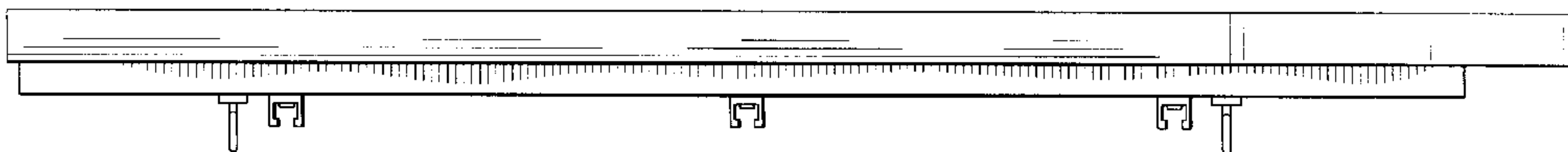


FIG.5

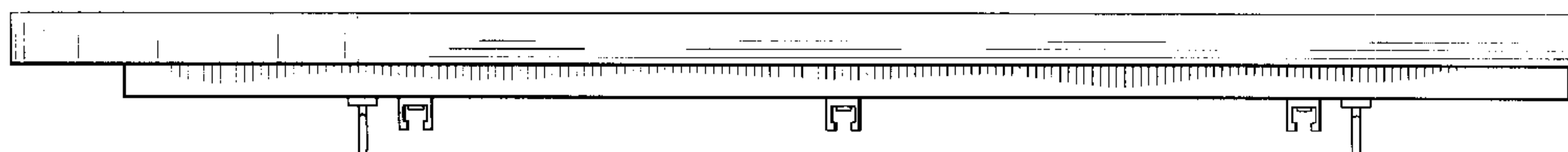


FIG.6

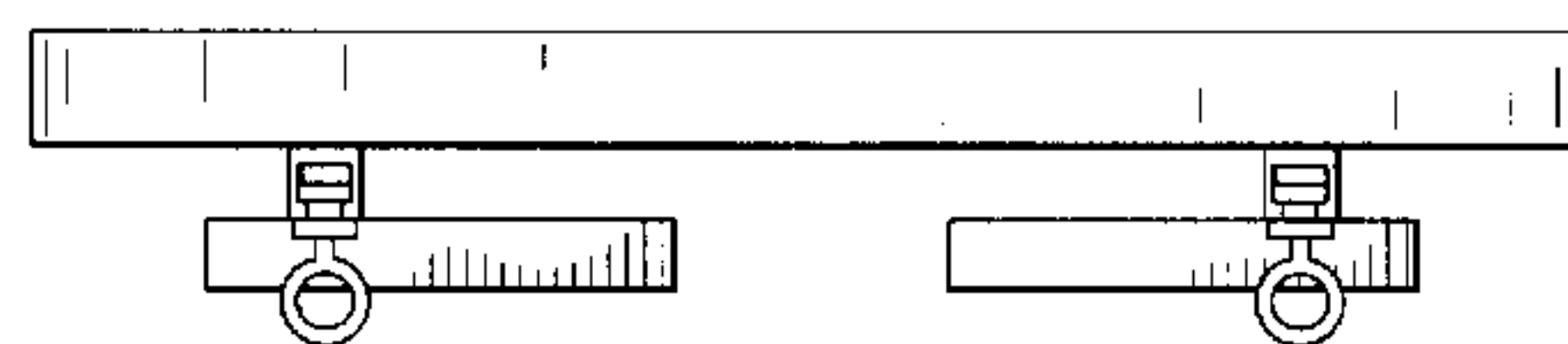


FIG.7

