



US00D539061S

(12) **United States Design Patent**  
**Mazzera**

(10) **Patent No.:** **US D539,061 S**

(45) **Date of Patent:** **\*\* Mar. 27, 2007**

(54) **CHAIR ARM**

(75) Inventor: **Marcello Mazzera**, Chatsworth, CA  
(US)

(73) Assignee: **True Seating Concepts, LLC** (MU)

(\*\*) Term: **14 Years**

(21) Appl. No.: **29/262,742**

(22) Filed: **Jul. 5, 2006**

(51) **LOC (8) Cl.** ..... **06-06**

(52) **U.S. Cl.** ..... **D6/501; D6/366**

(58) **Field of Classification Search** ..... D6/334-336,  
D6/364, 365, 366, 367, 379, 491, 500-502;  
297/411.2, 411.27, 411.28, 411.36, 411.37,  
297/463.1

See application file for complete search history.

(56) **References Cited**

**U.S. PATENT DOCUMENTS**

- D312,002 S \* 11/1990 Carter et al. .... D6/366
- D436,260 S \* 1/2001 Nagamitsu ..... D6/366
- D476,493 S \* 7/2003 Nagamitsu ..... D6/366

- D487,359 S \* 3/2004 Giugiaro ..... D6/366
- D489,542 S \* 5/2004 Giugiaro ..... D6/366

\* cited by examiner

*Primary Examiner*—Mimosa De

(74) *Attorney, Agent, or Firm*—Morland C. Fischer

(57) **CLAIM**

The ornamental design for a chair arm, as shown and described.

**DESCRIPTION**

FIG. 1 is a perspective view showing the front, left side and top of a chair arm which forms my new design, the broken lines of a chair and an arm pad being for illustrative purposes only and forming no part of my design;

FIG. 2 is an enlarged left side elevational view thereof;

FIG. 3 is an enlarged top plan view thereof;

FIG. 4 is an enlarged right side elevational view thereof;

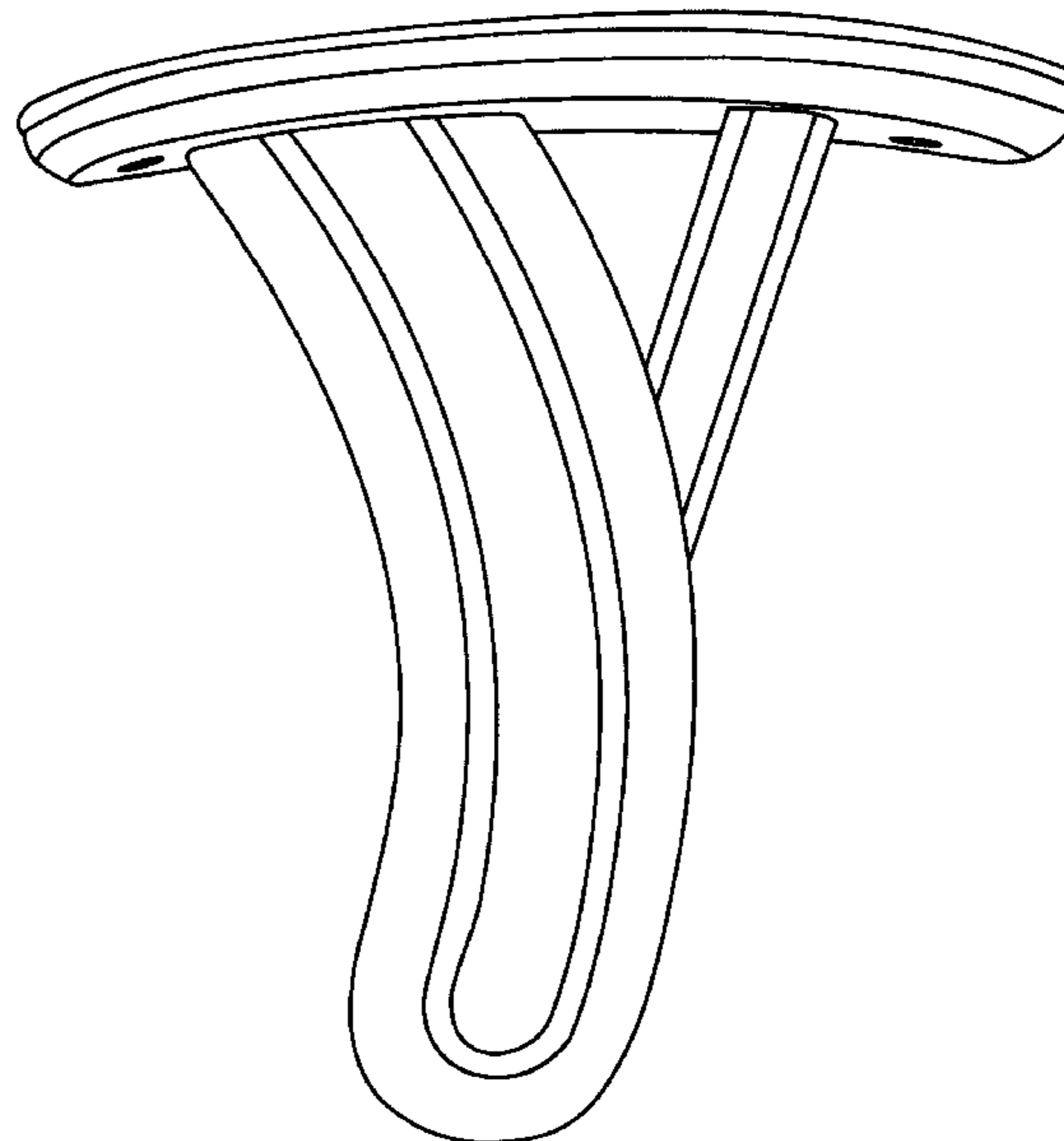
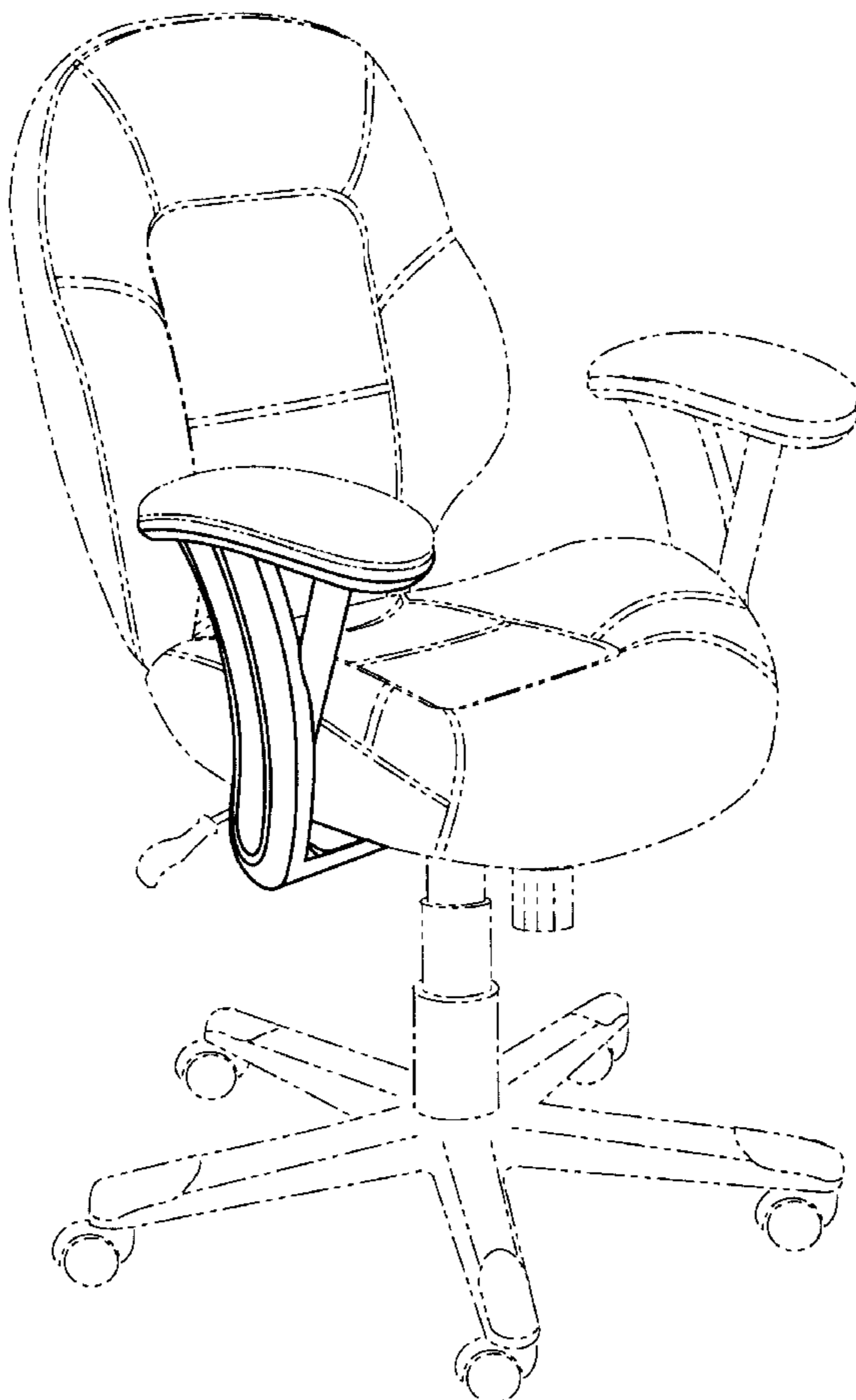
FIG. 5 is an enlarged bottom plan view thereof;

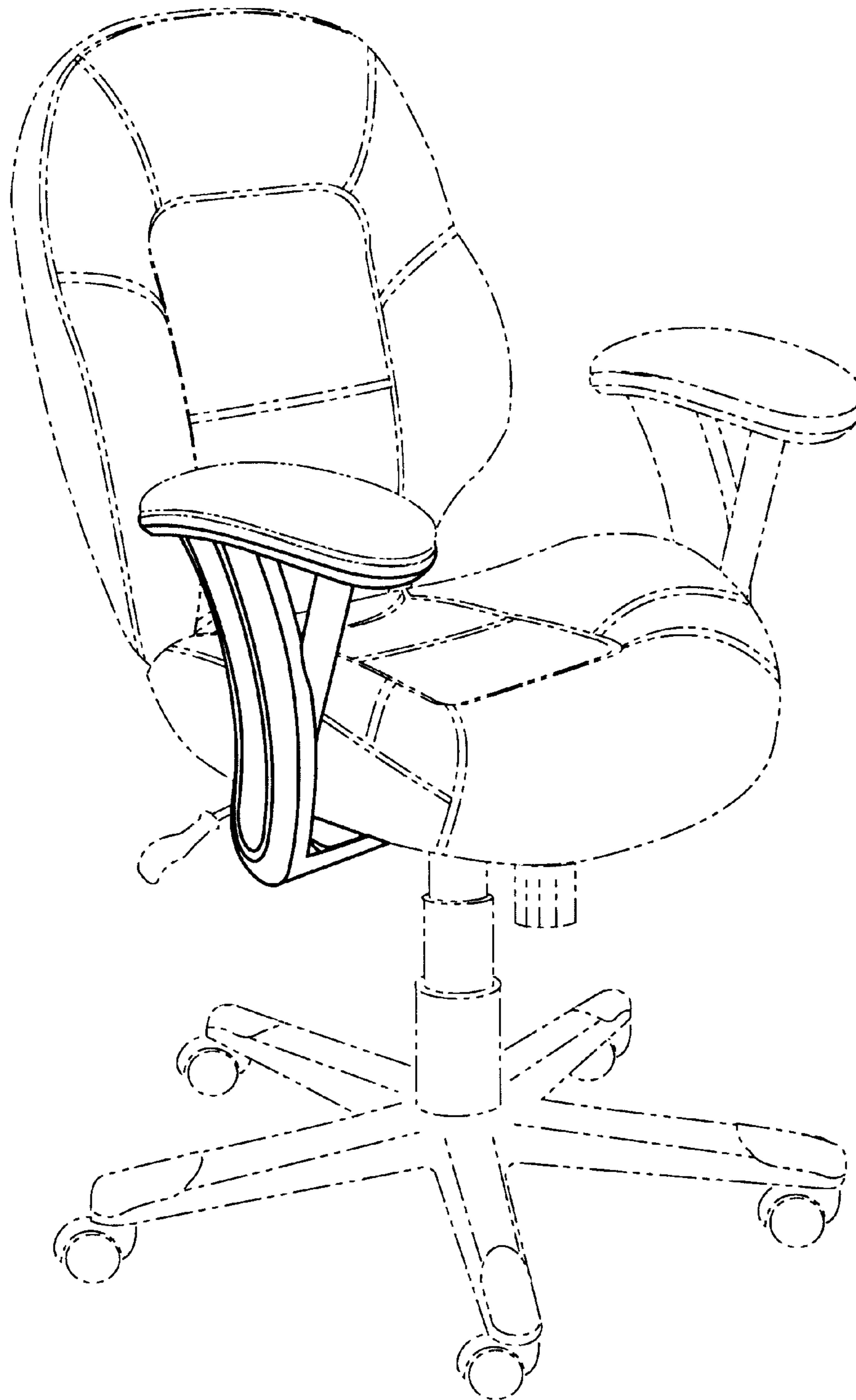
FIG. 6 is an enlarged front elevational view thereof;

FIG. 7 is an enlarged rear elevational view thereof; and,

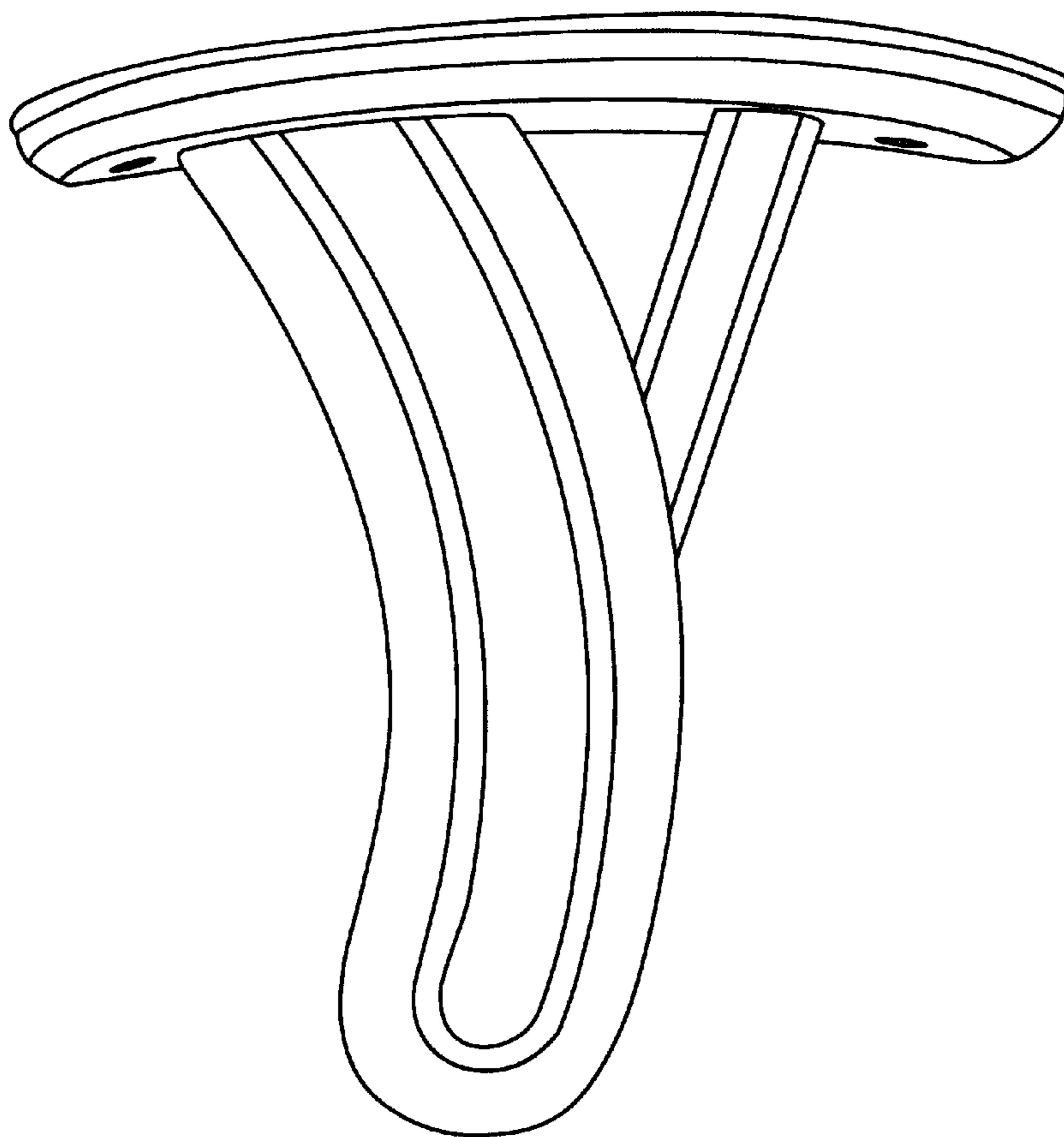
FIG. 8 is an enlarged perspective view showing the front, left side and top thereof.

**1 Claim, 4 Drawing Sheets**

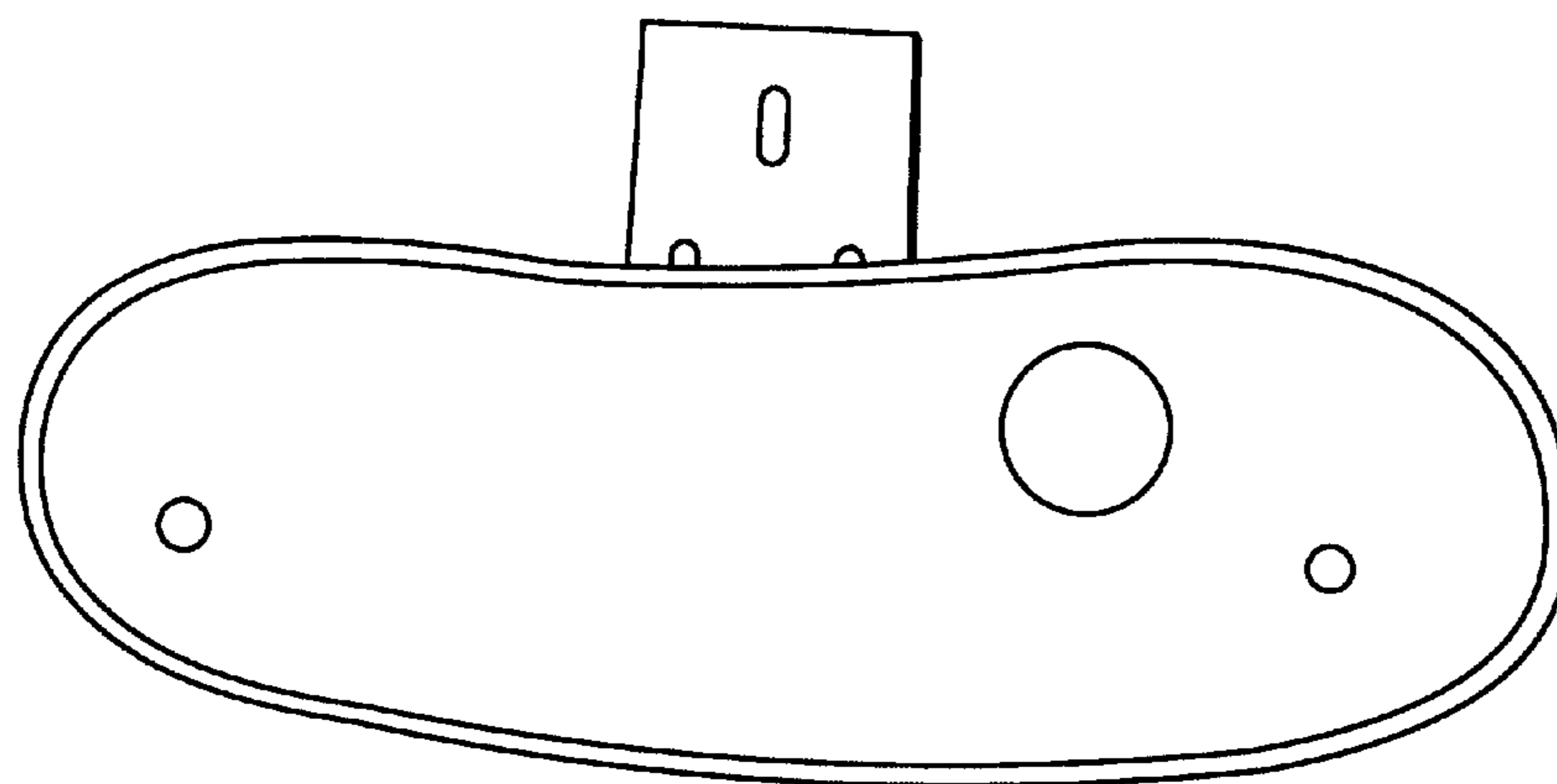




*FIG. 1*



*FIG. 2*



*FIG. 3*

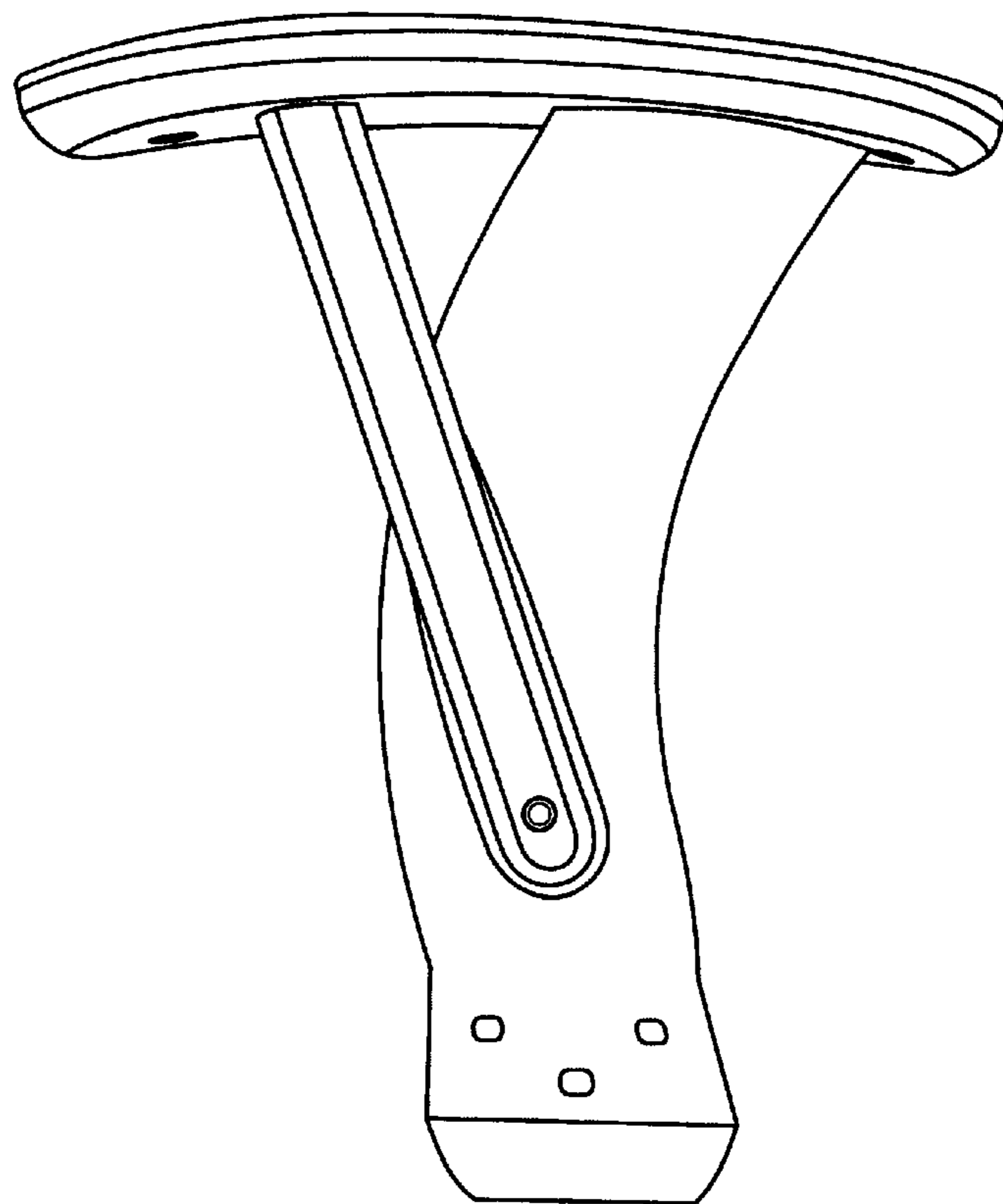


FIG. 4

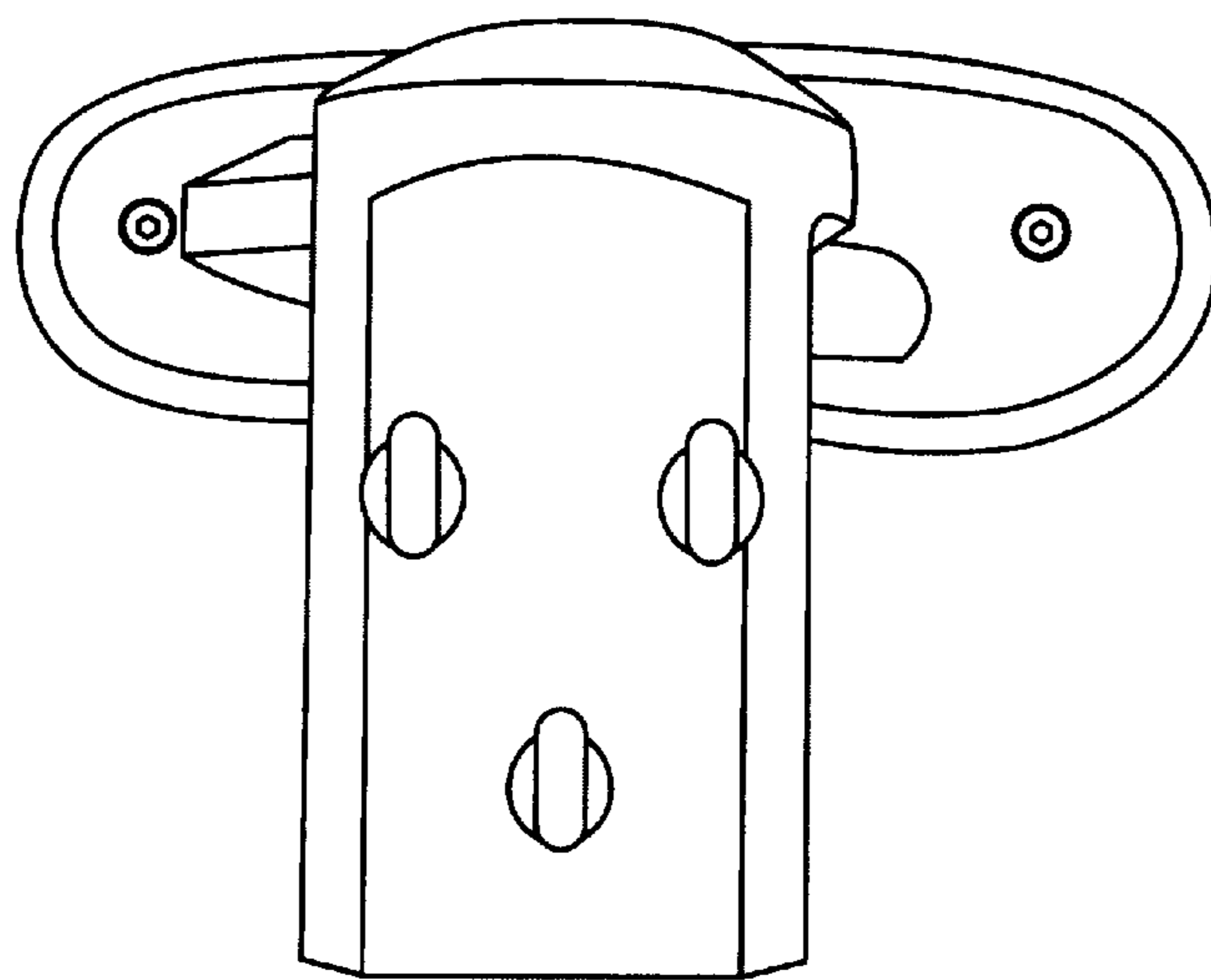
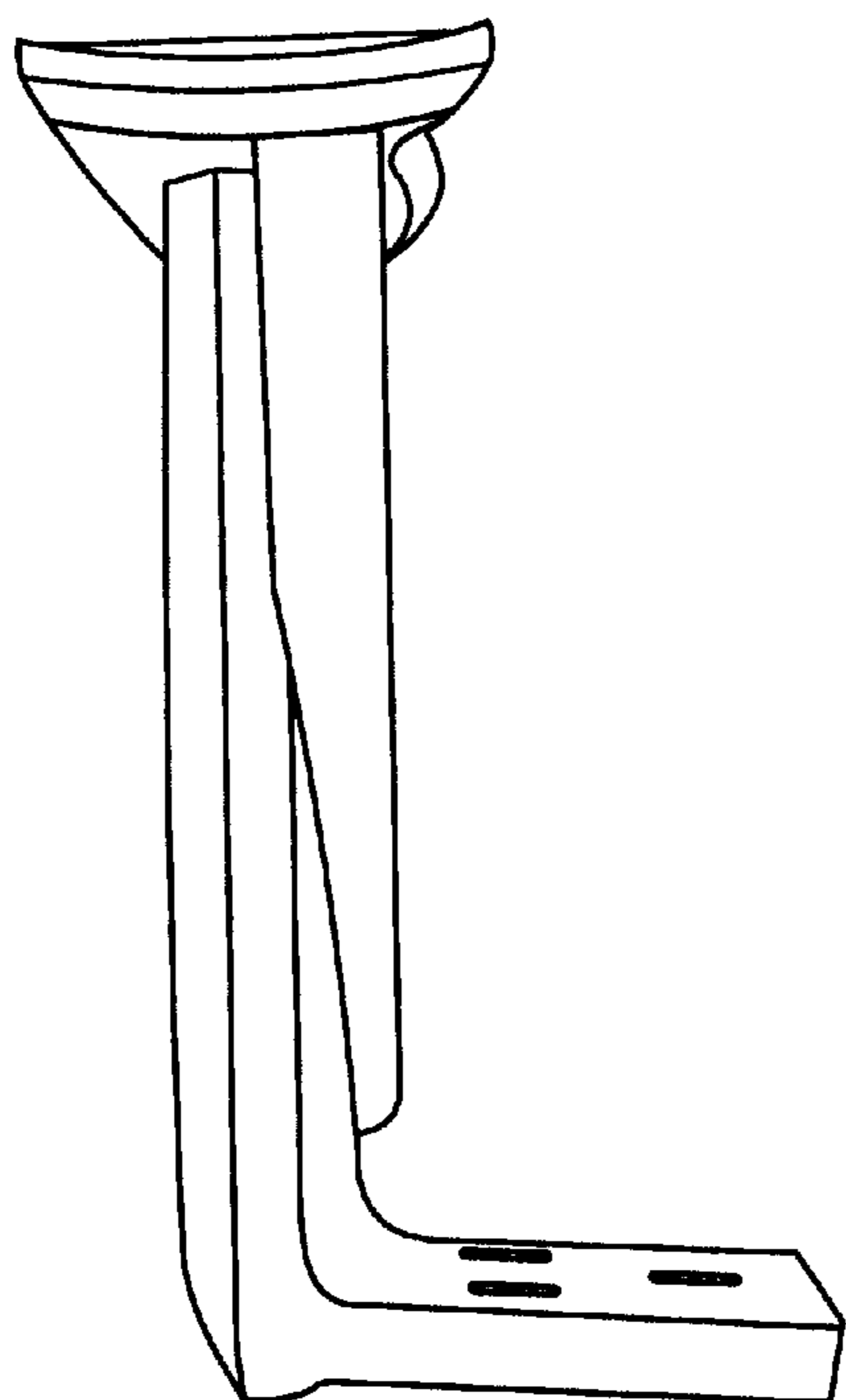
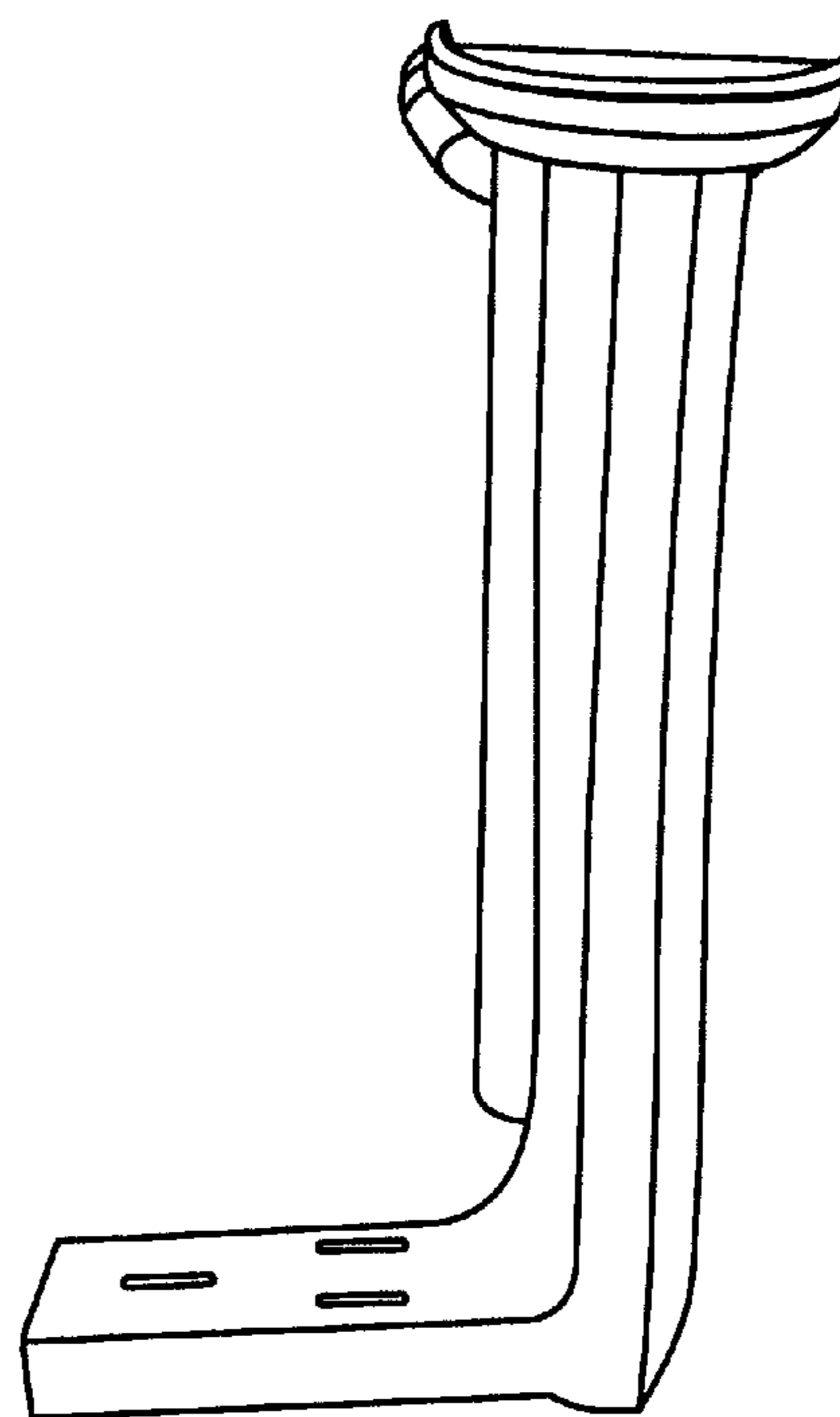


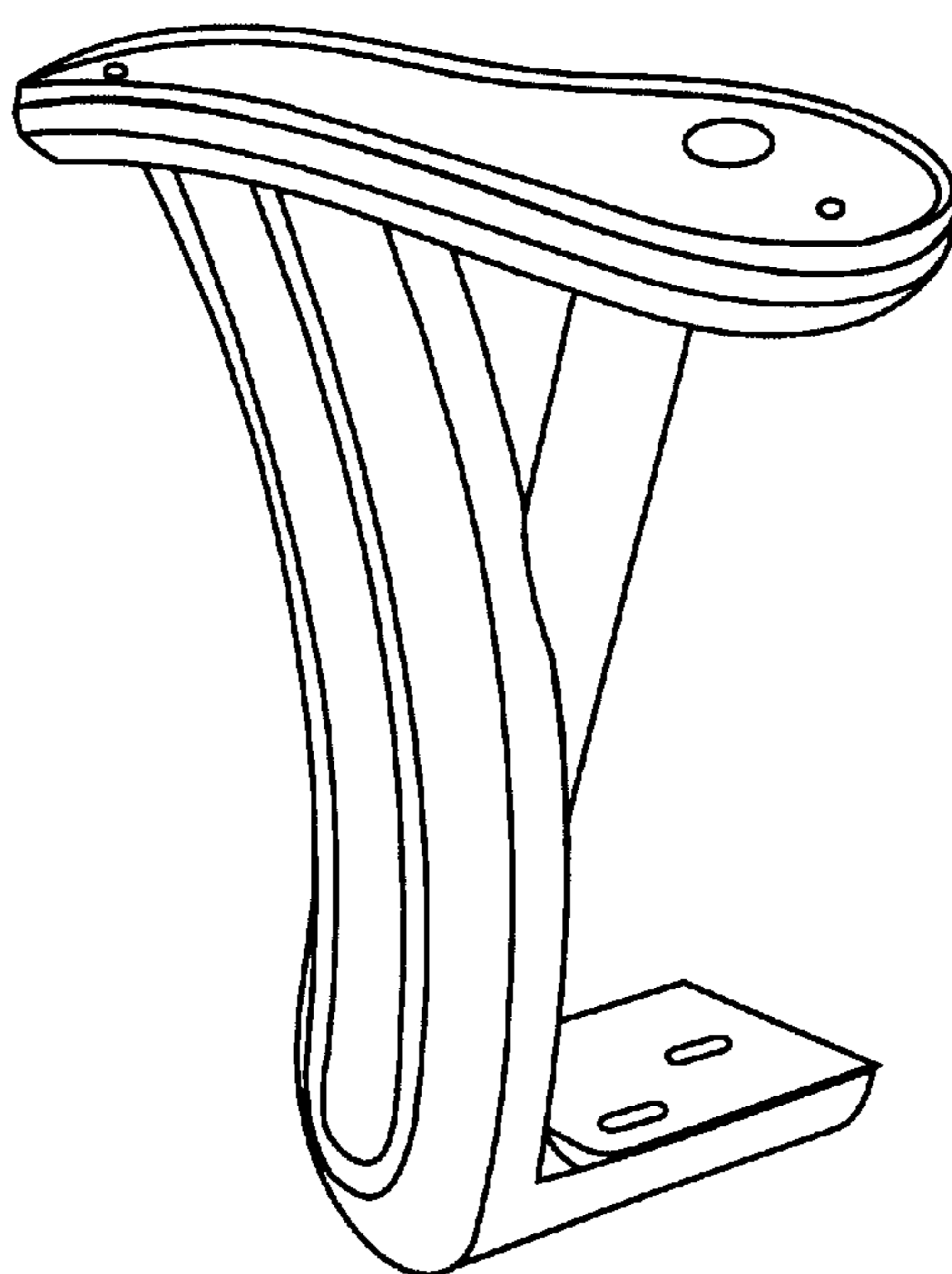
FIG. 5



*FIG. 6*



*FIG. 7*



*FIG. 8*