



US00D539060S

(12) **United States Design Patent**  
**Egger**

(10) **Patent No.:** **US D539,060 S**

(45) **Date of Patent:** **\*\* Mar. 27, 2007**

(54) **CHAIR FRAME**

(75) Inventor: **Julien Egger**, Santa Monica, CA (US)

(73) Assignee: **True Seating Concepts, LLC** (MU)

(\*\*) Term: **14 Years**

(21) Appl. No.: **29/238,735**

(22) Filed: **Sep. 21, 2005**

(51) **LOC (8) Cl.** ..... **06-06**

(52) **U.S. Cl.** ..... **D6/501**; D6/379

(58) **Field of Classification Search** ..... D6/334-336,  
D6/369, 370, 371-376, 379, 380, 381, 499,  
D6/500-502; 297/411.2, 411.42, 411.43,  
297/411.44, 411.45, 445.1, 446.1, 448.1  
See application file for complete search history.

(56) **References Cited**

**U.S. PATENT DOCUMENTS**

D132,165 S	*	4/1942	Burke	.....	D6/334
D132,174 S	*	4/1942	Burke	.....	D6/334
D274,775 S	*	7/1984	Meyer	.....	D6/380
5,094,507 A	*	3/1992	Gibbs	.....	297/448.1
D342,618 S	*	12/1993	Tseng	.....	D6/370
D395,176 S	*	6/1998	Tseng	.....	D6/500
D396,961 S	*	8/1998	Donnelly	.....	D6/334

D403,522 S	*	1/1999	Wilson	.....	D6/379
D404,929 S	*	2/1999	Frinier	.....	D6/376
D415,623 S	*	10/1999	Lin	.....	D6/370
D422,426 S	*	4/2000	Donnelly	.....	D6/379
D431,385 S	*	10/2000	Barile et al.	.....	D6/370
D498,072 S	*	11/2004	Barile et al.	.....	D6/380

\* cited by examiner

*Primary Examiner*—Mimosa De

(74) *Attorney, Agent, or Firm*—Morland C. Fischer

(57) **CLAIM**

The ornamental design for a chair frame, as shown and described.

**DESCRIPTION**

FIG. 1 is a perspective view showing the top, sides and front of a chair frame which forms my new design, the broken lines of other parts of a chair in this and other figures being for illustrative purposes only and forming no part of my design;

FIG. 2 is a top plan view thereof;

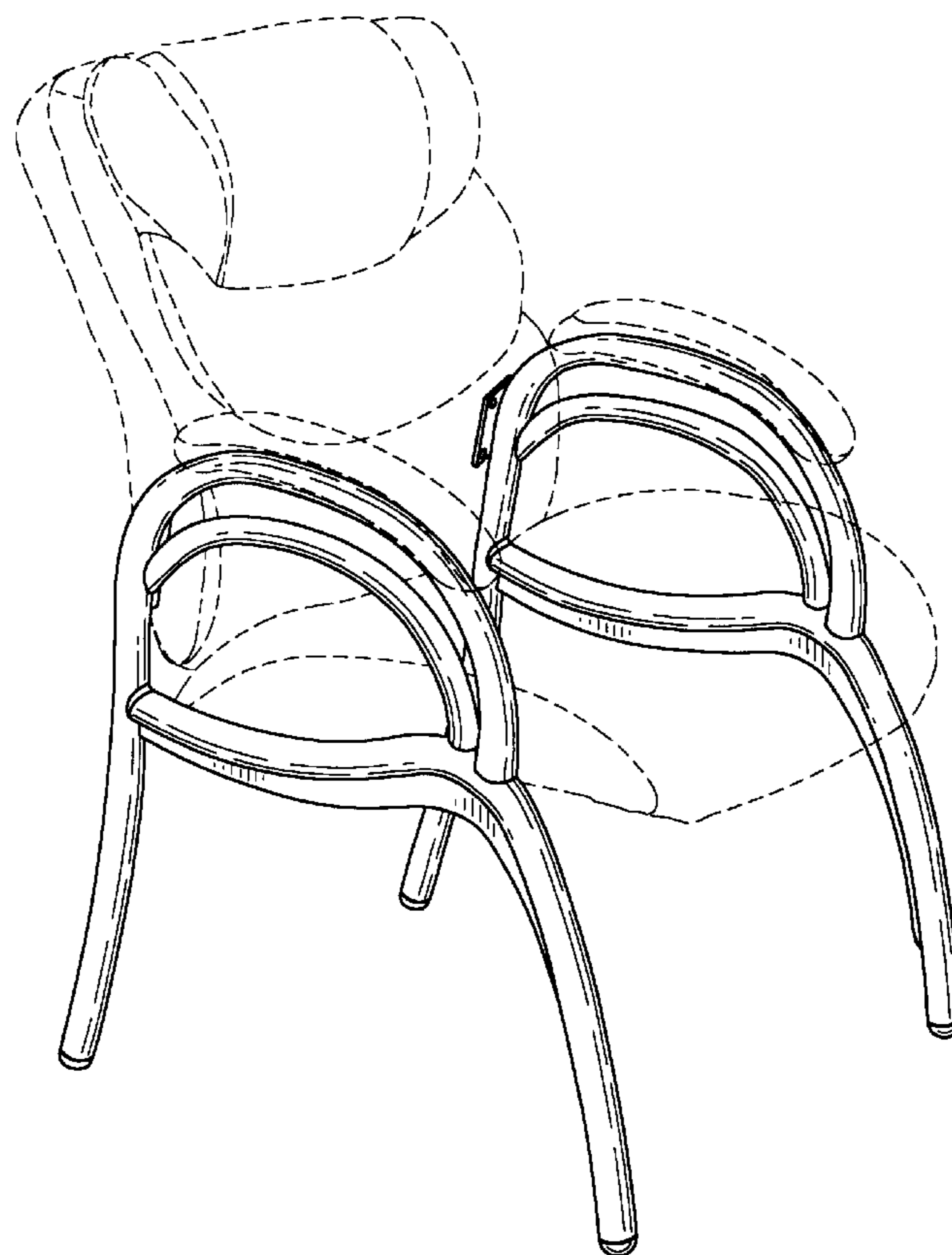
FIG. 3 is a rear elevational view thereof;

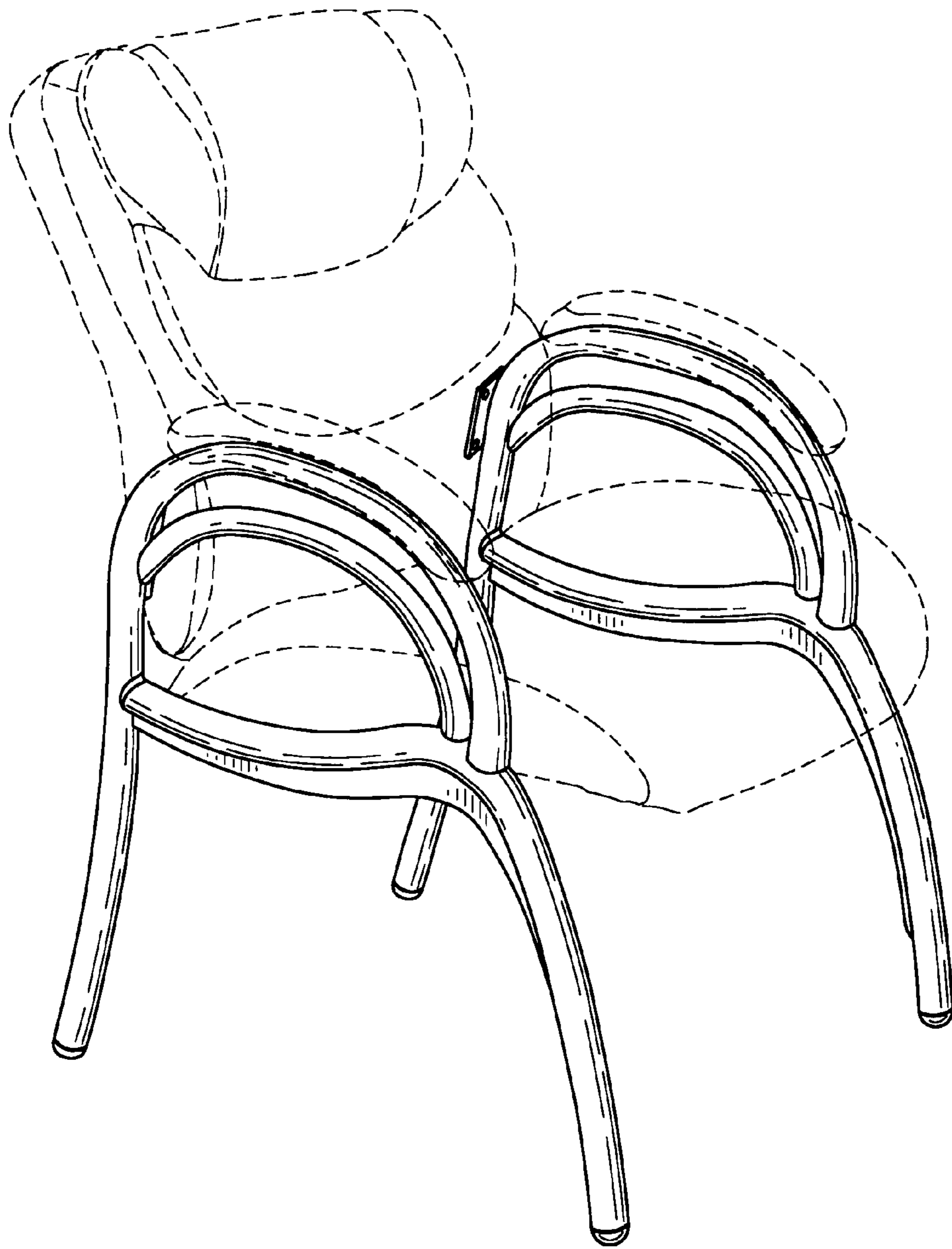
FIG. 4 is a left side elevational view thereof, this side and the opposite right side elevational view being mirror images;

FIG. 5 is a front elevational view thereof; and,

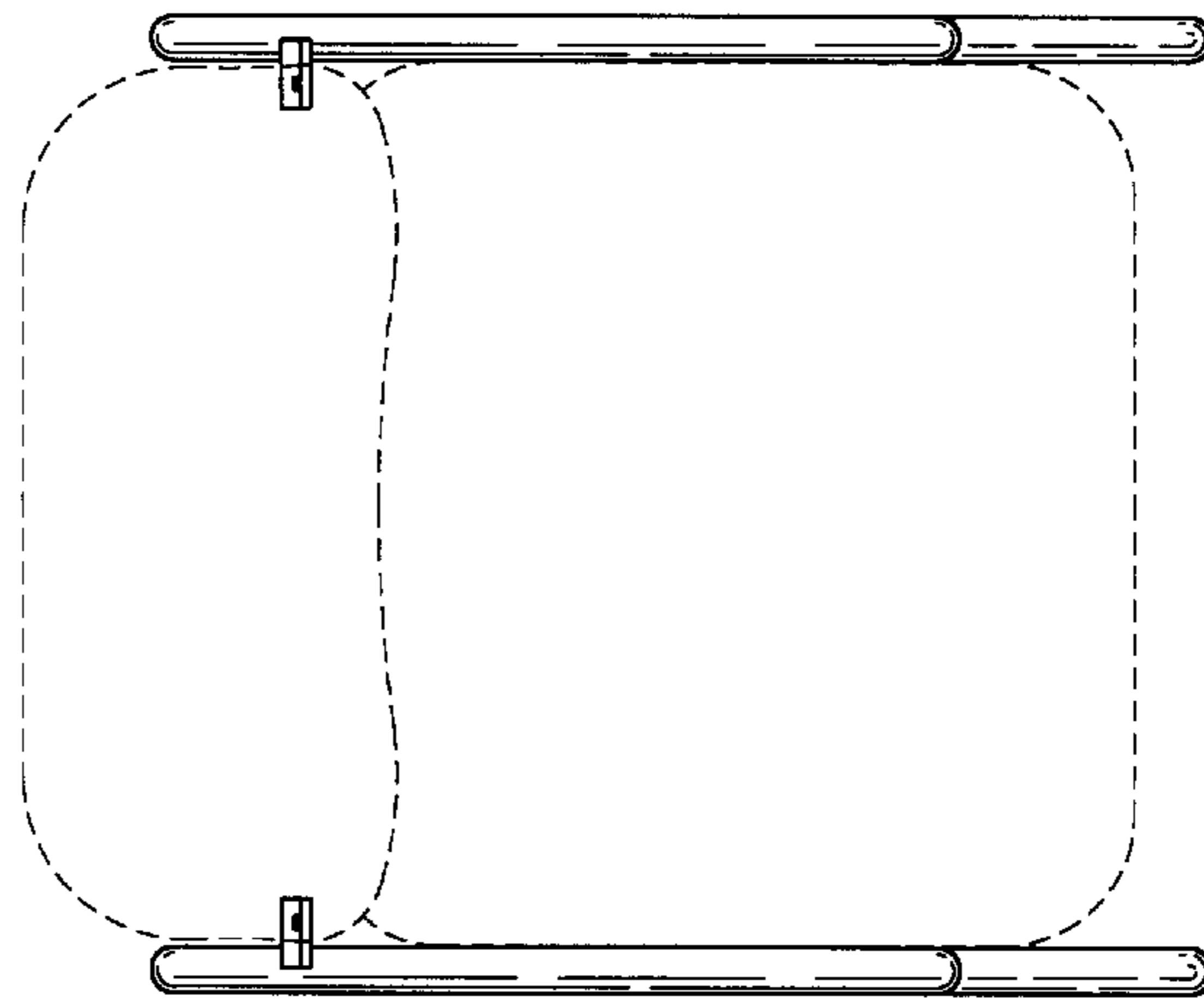
FIG. 6 is a bottom plan view thereof.

**1 Claim, 3 Drawing Sheets**

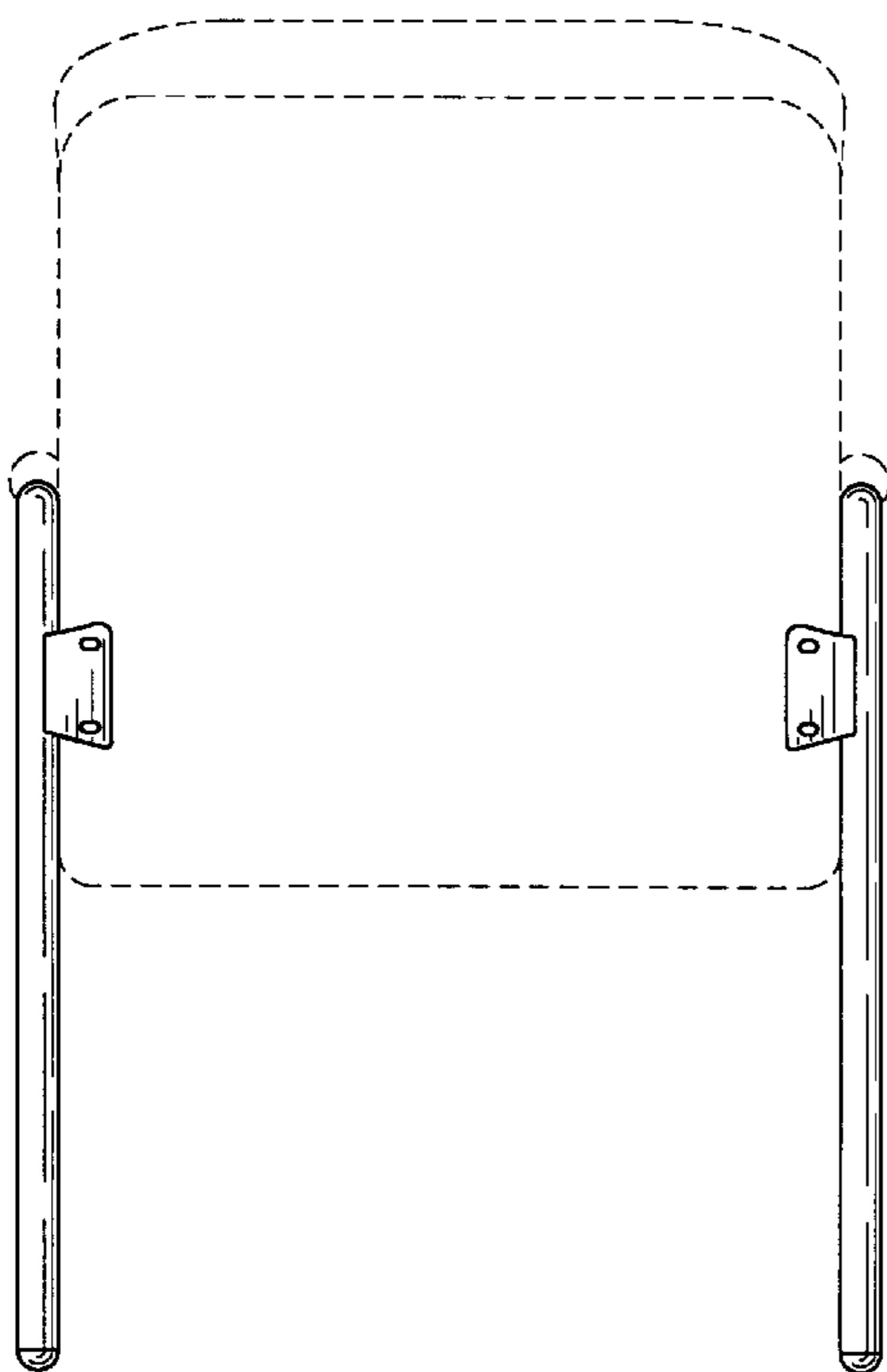




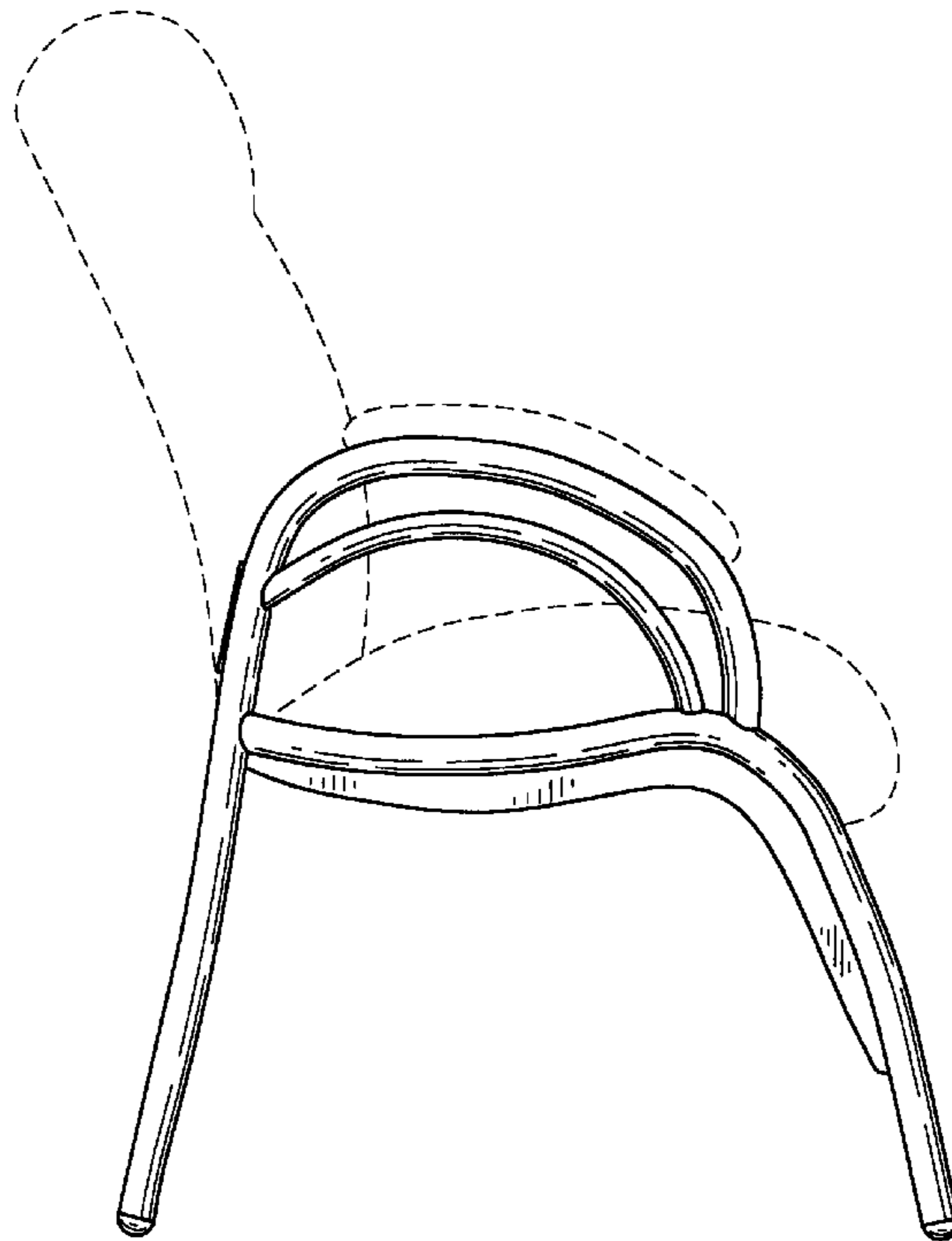
*Fig. 1*



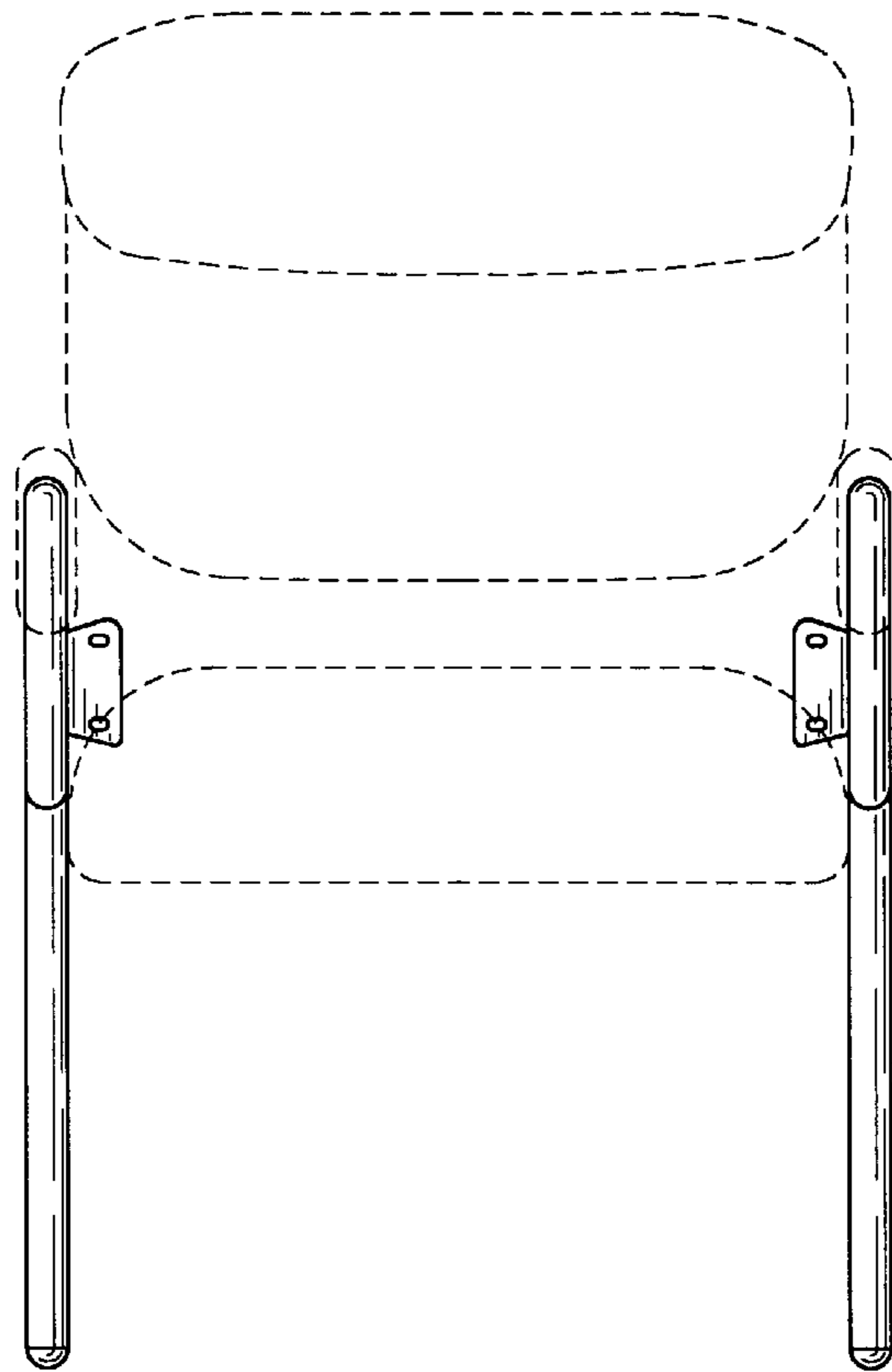
*Fig. 2*



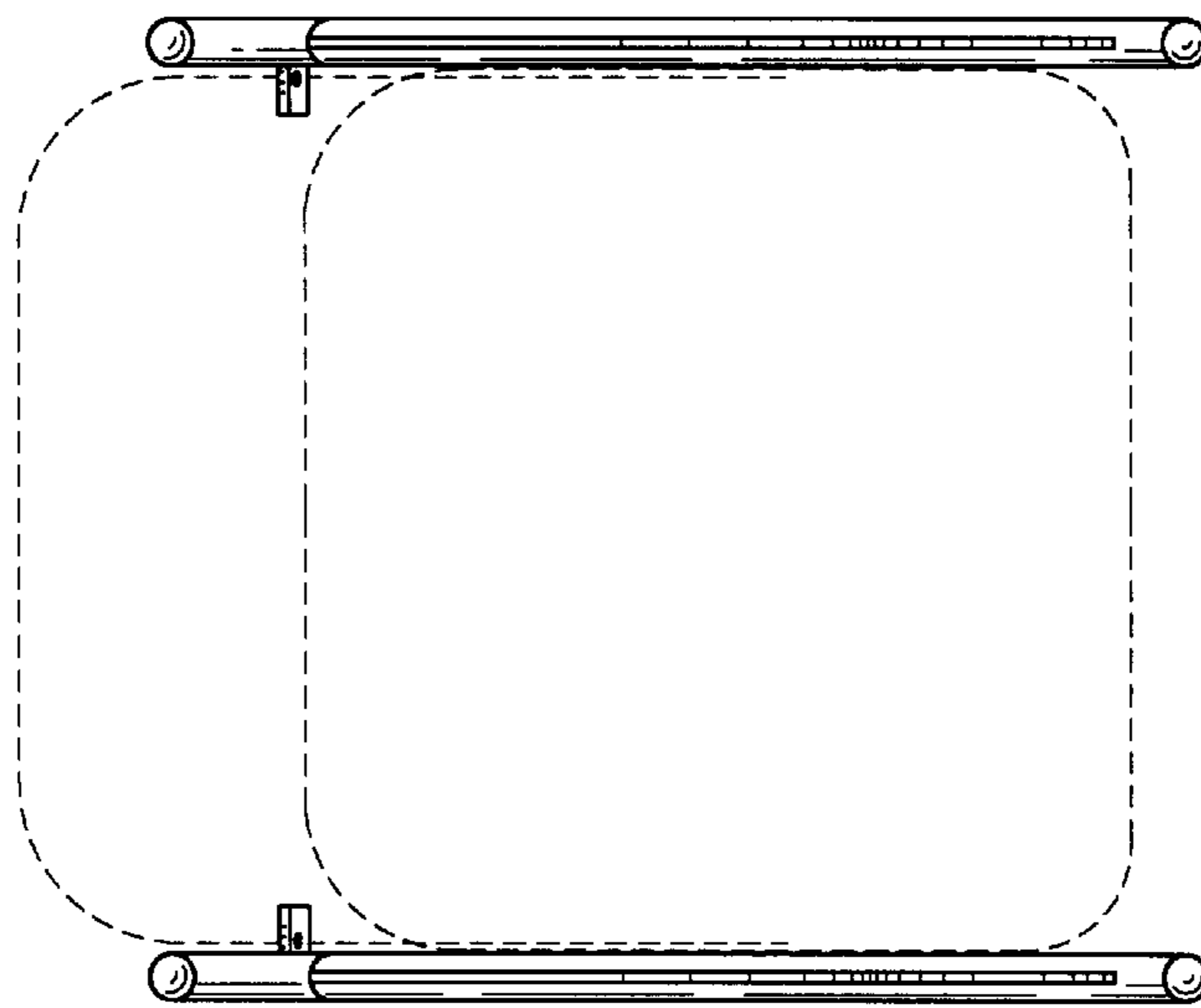
*Fig. 3*



*Fig. 4*



*Fig. 5*



*Fig. 6*