



US00D539059S

(12) **United States Design Patent**  
**Vander Park**

(10) **Patent No.:** **US D539,059 S**

(45) **Date of Patent:** **\*\* Mar. 27, 2007**

(54) **TABLE**

(75) **Inventor:** **Antonius Adrian Vander Park,**  
Caledon (CA)

(73) **Assignee:** **Nova-Link Limited,** Ontario (CA)

(\*\*) **Term:** **14 Years**

(21) **Appl. No.:** **29/219,529**

(22) **Filed:** **Dec. 17, 2004**

(51) **LOC (8) Cl.** ..... **06-03**

(52) **U.S. Cl.** ..... **D6/484**

(58) **Field of Classification Search** ..... D6/480-489,  
D6/495-499, 422-426, 429, 430, 427, 428;  
108/150, 153.1, 155, 156, 157.1, 161, 157.18,  
108/50.01, 50.02; 248/188, 188.1  
See application file for complete search history.

(56) **References Cited**

**U.S. PATENT DOCUMENTS**

D225,046 S \* 11/1972 Nance ..... D6/423  
D248,003 S \* 5/1978 Gazarek ..... D6/422

D335,977 S \* 6/1993 Fleischer ..... D6/480  
D339,483 S \* 9/1993 Hollington ..... D6/429  
5,323,695 A \* 6/1994 Borgman et al. .... D6/484  
D506,888 S \* 7/2005 Althofer ..... D6/480

\* cited by examiner

*Primary Examiner*—Janice Seeger

(74) *Attorney, Agent, or Firm*—Gifford, Krass, Groh,  
Sprinkle, Anderson & Citkowski, P.C.

(57) **CLAIM**

The ornamental design for a table, as shown and described.

**DESCRIPTION**

FIG. 1 is a perspective view of a table of the present invention, this view being taken from above and from a right end thereof;

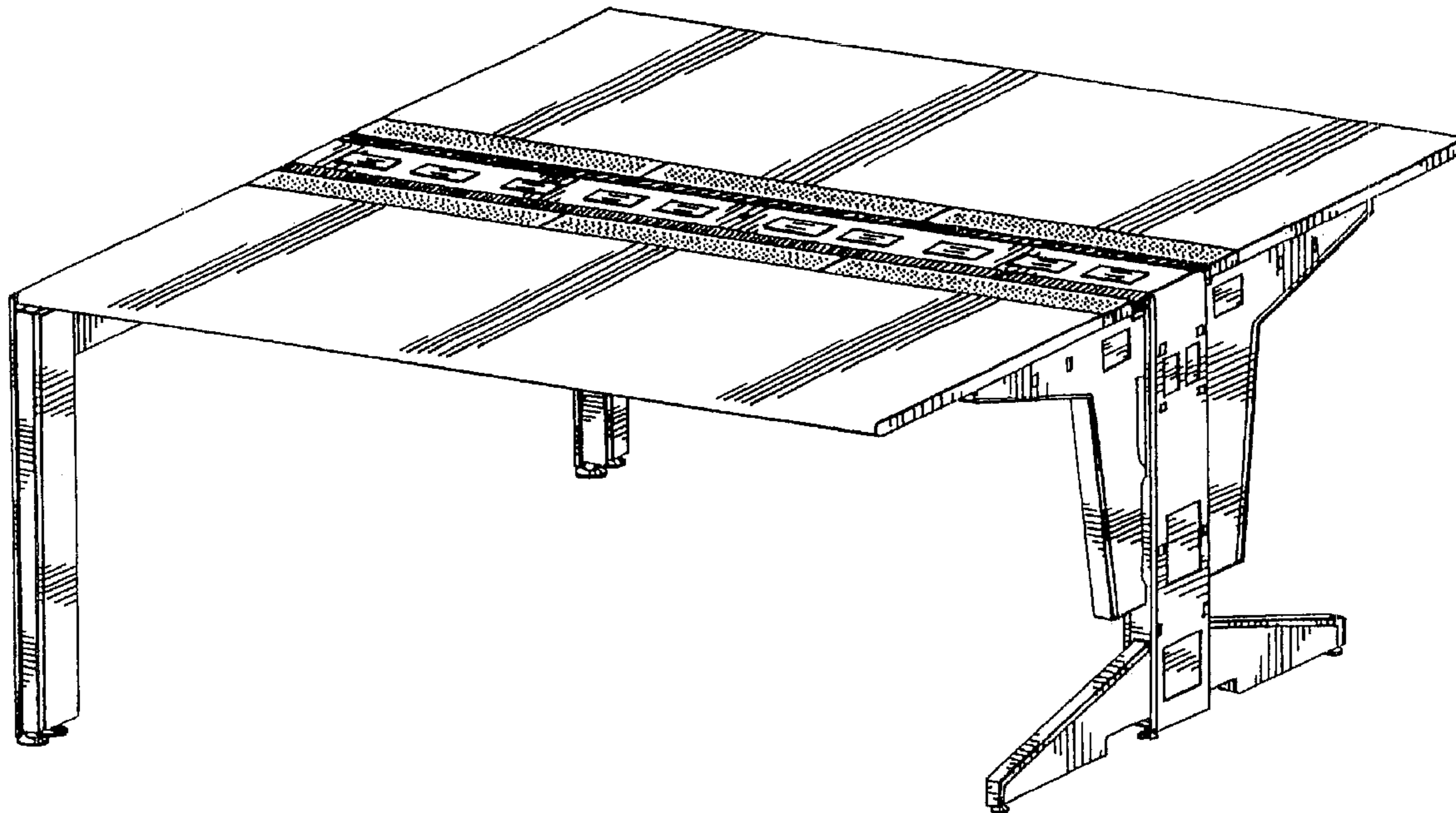
FIG. 2 is a front view of the table of FIG. 1, the rear view being a mirror image of this front view;

FIG. 3 is a left end view of the table of FIG. 1;

FIG. 4 is a top plan view of the table of FIG. 1; and,

FIG. 5 is a right end view of the table of FIG. 1.

**1 Claim, 3 Drawing Sheets**



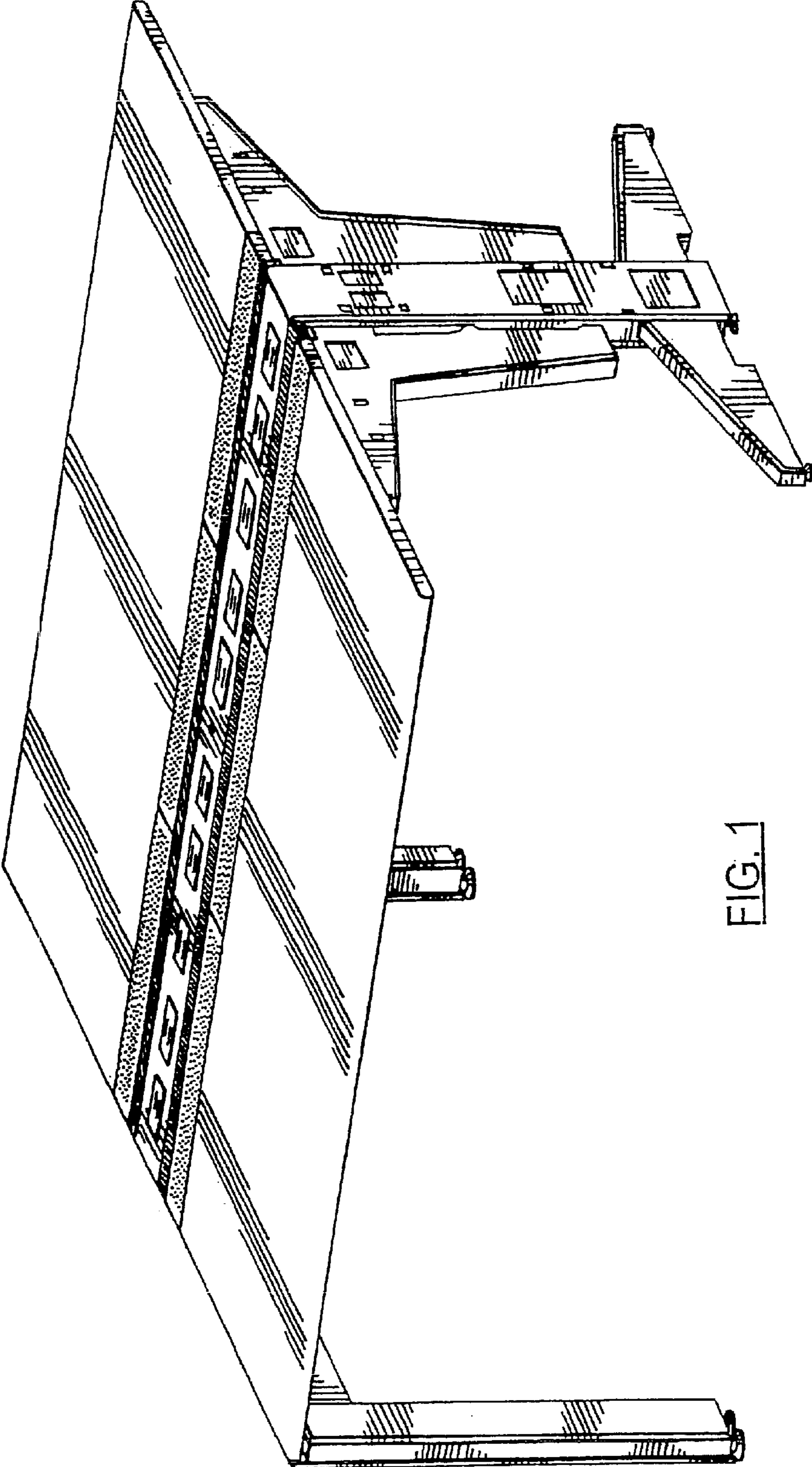


FIG. 1

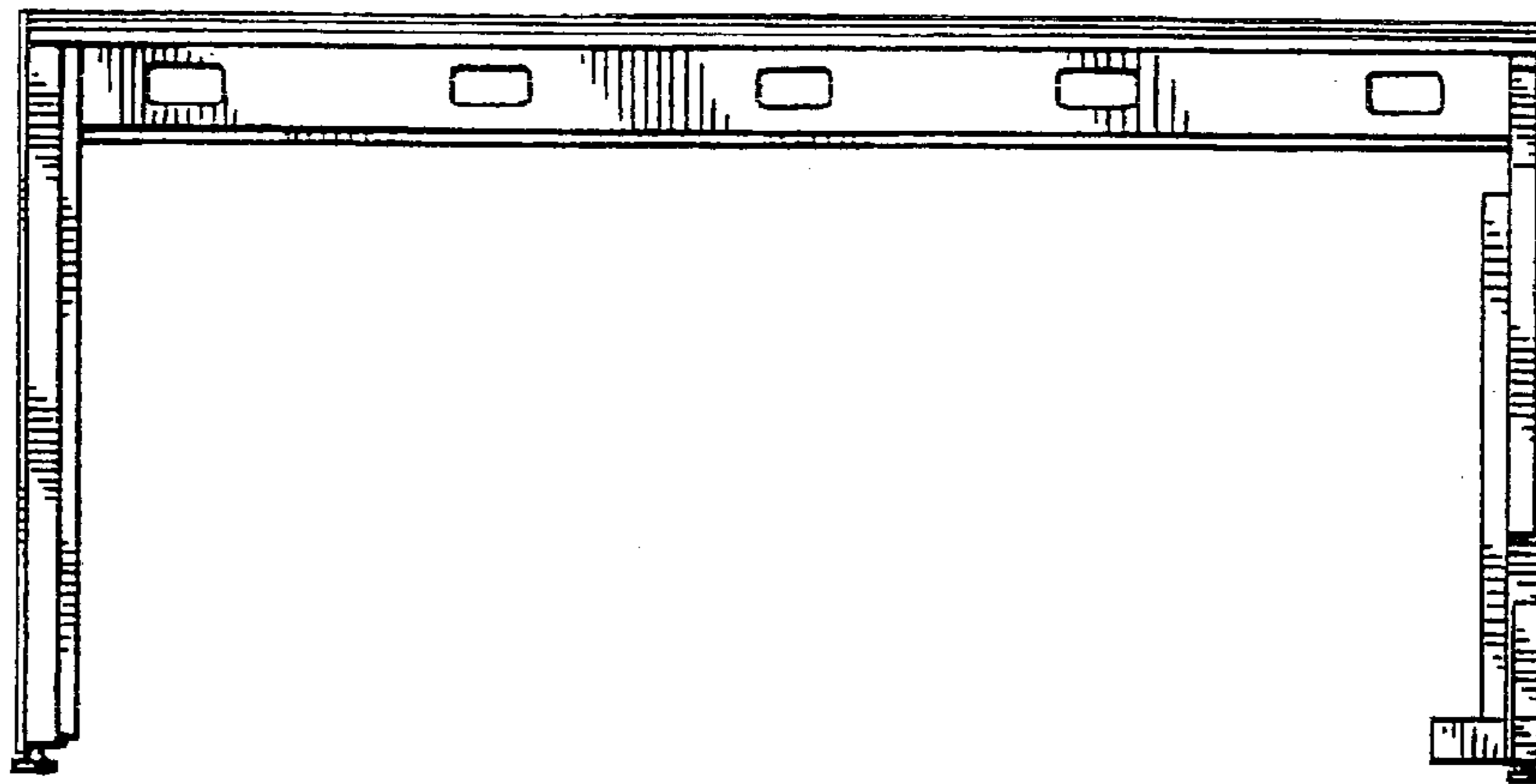


FIG. 2

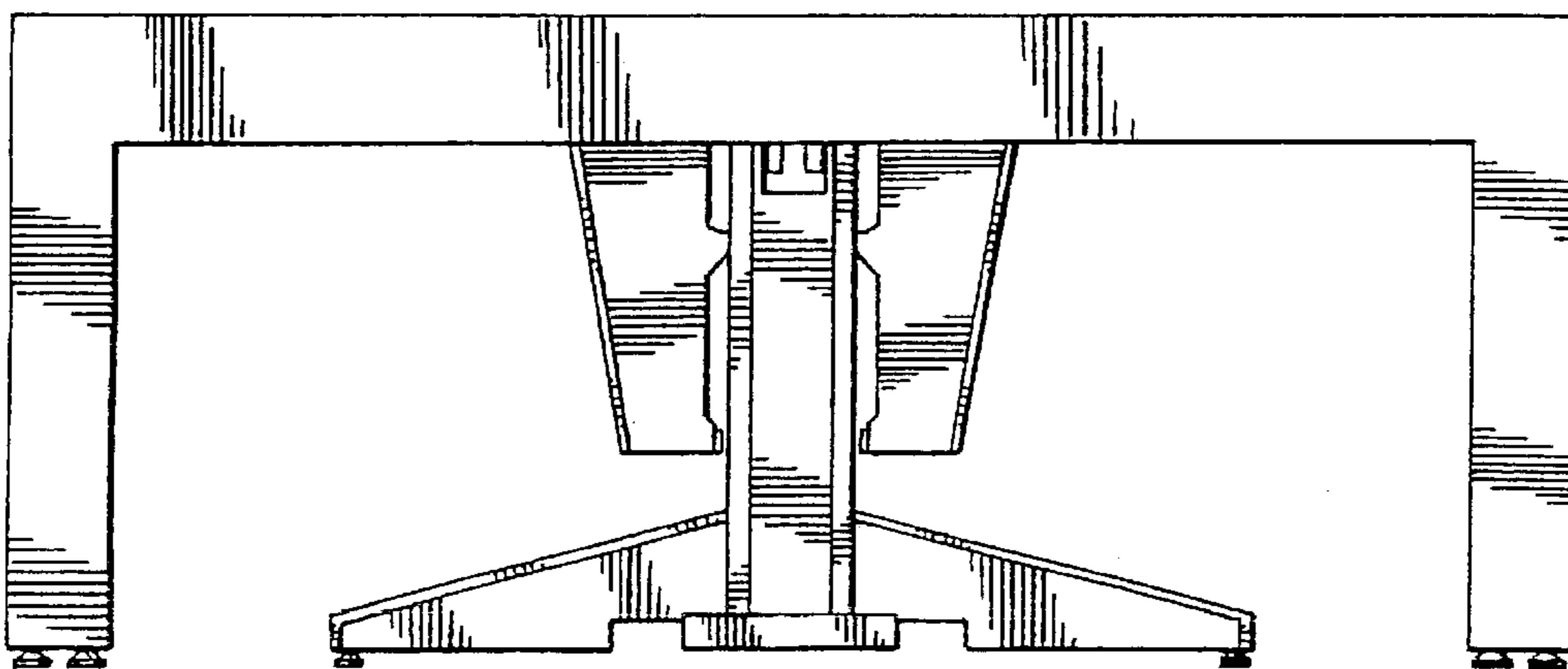


FIG. 3

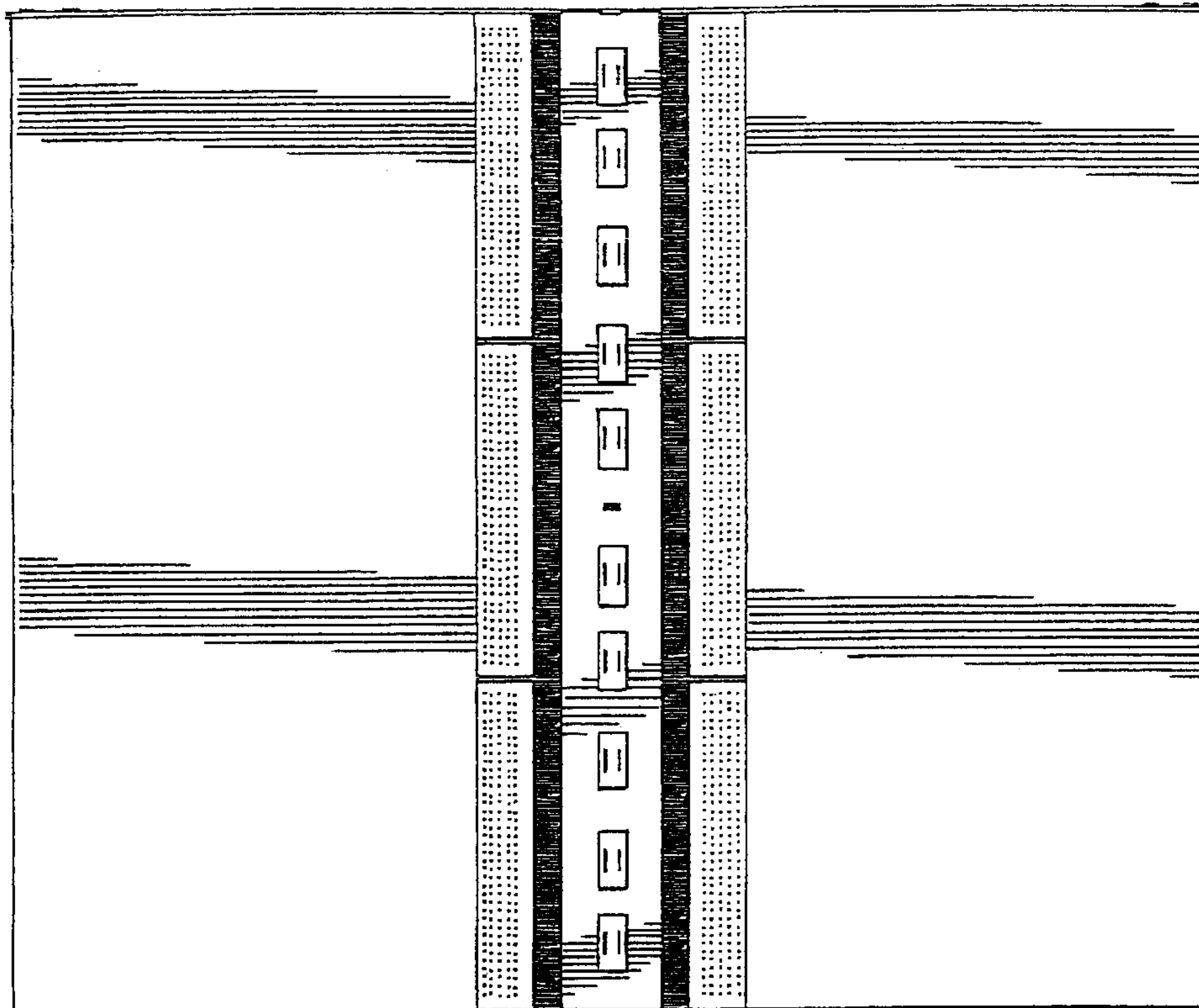


FIG. 4

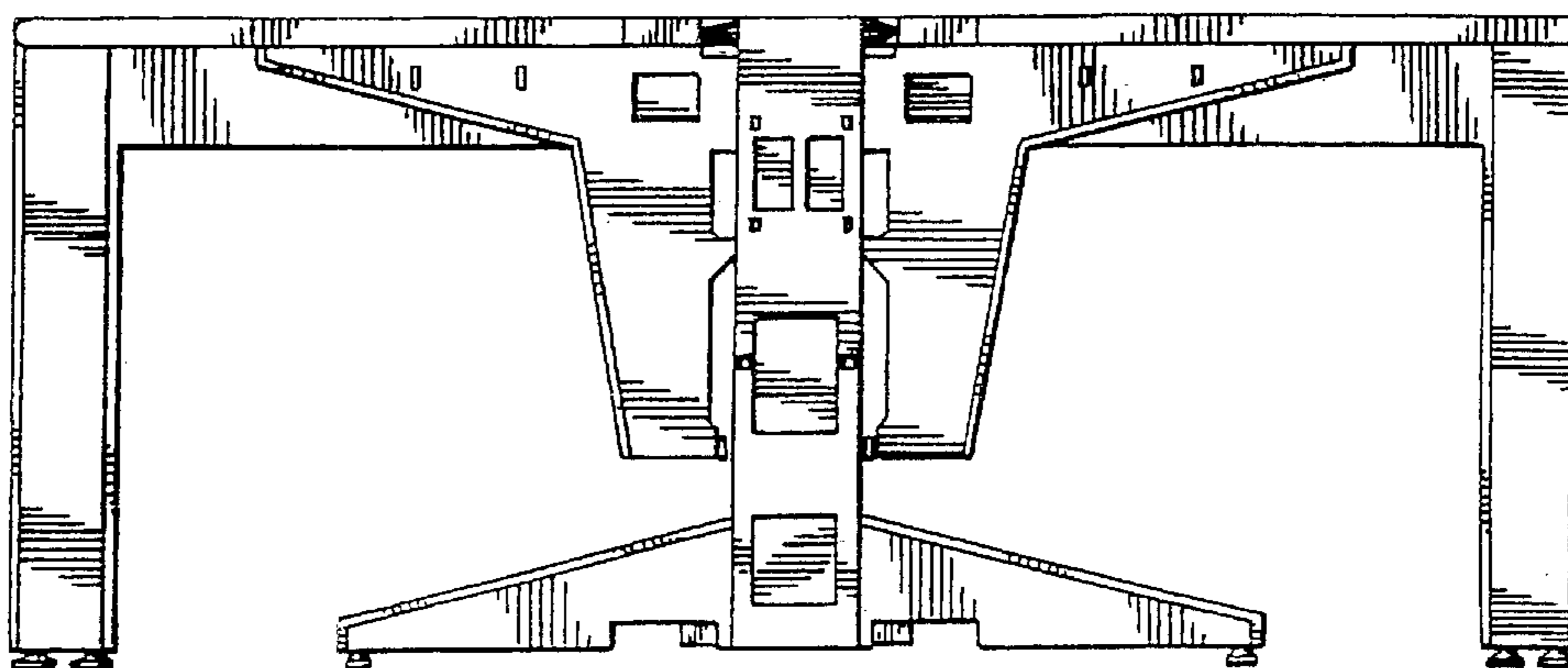


FIG. 5