



US00D539057S

(12) **United States Design Patent**  
**Senda et al.**

(10) **Patent No.:** **US D539,057 S**  
(45) **Date of Patent:** **\*\* Mar. 27, 2007**

- (54) **TELEVISION STAND**
- (75) Inventors: **Tamotsu Senda**, Kadoma (JP); **Masaki Takemoto**, Kadoma (JP); **Masaaki Goto**, Nihama (JP)
- (73) Assignee: **Matsushita Electric Industrial Co., Ltd.**, Osaka (JP)
- (\*\*) Term: **14 Years**

JP	D1121112	9/2001
JP	D1133226	2/2002
JP	D1166001	2/2002
JP	D1143563	6/2002
JP	D1152367	9/2002
JP	D1164803	2/2003
JP	D1166087	2/2003
JP	D1196921	2/2004
JP	D1196922	2/2004
JP	D1233804	3/2005
JP	D1233805	3/2005

- (21) Appl. No.: **29/262,131**
- (22) Filed: **Jun. 27, 2006**
- (30) **Foreign Application Priority Data**

Dec. 27, 2005 (JP) ..... 2005-38308

- (51) **LOC (8) Cl.** ..... **06-04**
- (52) **U.S. Cl.** ..... **D6/477**
- (58) **Field of Classification Search** ..... D6/460, D6/461, 468, 474, 477-479; 312/7.2, 9.1; 108/59, 91, 92, 96; 211/40, 41.12, 42, 49.1, 211/50, 85.2, 90.04, 187, 190, 119.003, 134.153, 211/87.01, 71.01  
See application file for complete search history.

(56) **References Cited**

**U.S. PATENT DOCUMENTS**

D477,159 S	*	7/2003	Niitsu	.....	D6/479
D496,543 S	*	9/2004	Forlenza	.....	D6/477
D505,807 S	*	6/2005	Goto et al.	.....	D6/477
D517,837 S	*	3/2006	Takatsuki et al.	.....	D6/477
D518,664 S	*	4/2006	Villalobos et al.	.....	D6/477
D525,053 S	*	7/2006	Smith	.....	D6/477

**FOREIGN PATENT DOCUMENTS**

JP	D1104120	3/2001
JP	D1119988	9/2001

\* cited by examiner

*Primary Examiner*—Cathron C. Brooks  
(74) *Attorney, Agent, or Firm*—Brinks Hofer Gilson & Lione

(57) **CLAIM**

We claim the ornamental design for a television stand, as shown and described.

**DESCRIPTION**

FIG. 1 is a top perspective view of a television stand of the present invention;  
 FIG. 2 is a rear perspective view thereof;  
 FIG. 3 is a front view thereof;  
 FIG. 4 is a rear view thereof;  
 FIG. 5 is a first side view thereof;  
 FIG. 6 is a second side view thereof;  
 FIG. 7 is a top view thereof;  
 FIG. 8 is a bottom view thereof; and,  
 FIG. 9 is a perspective view thereof shown in an environmental use.  
 The ornamental design which is claimed is shown in solid lines in the drawings. Any broken lines in the drawings are for illustrative purposes only and form no part of the claimed design.

**1 Claim, 5 Drawing Sheets**

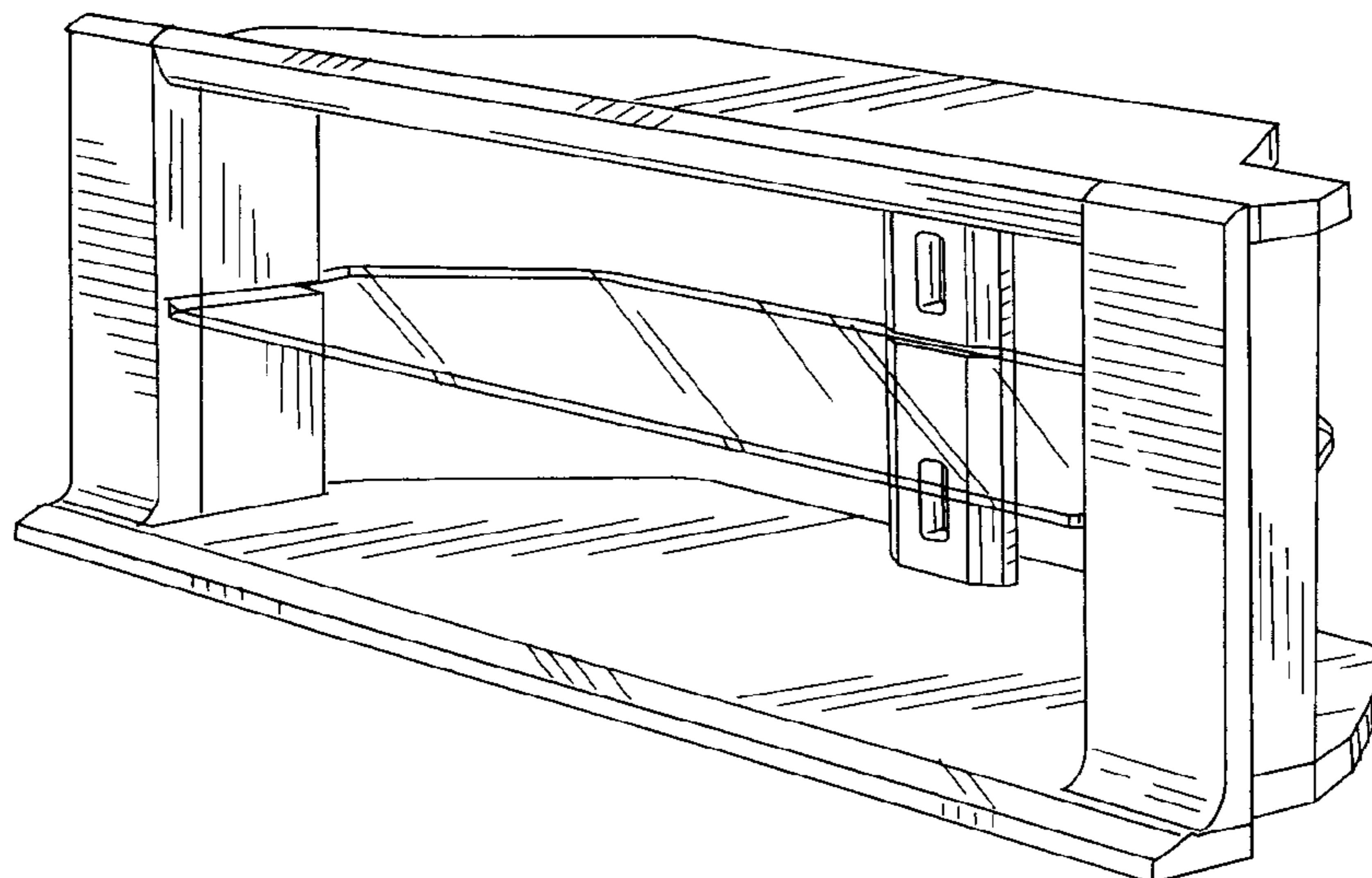


FIG. 1

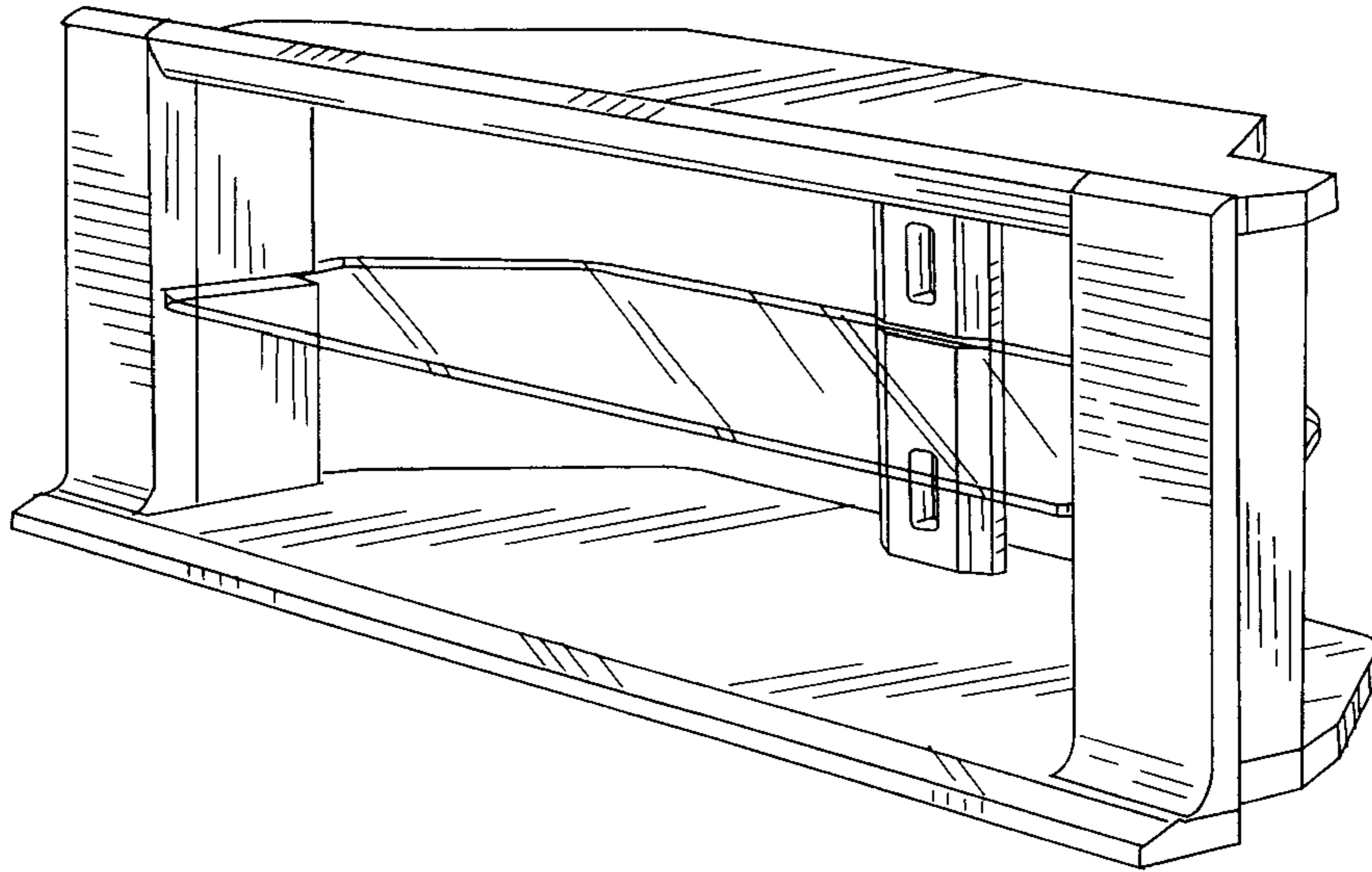
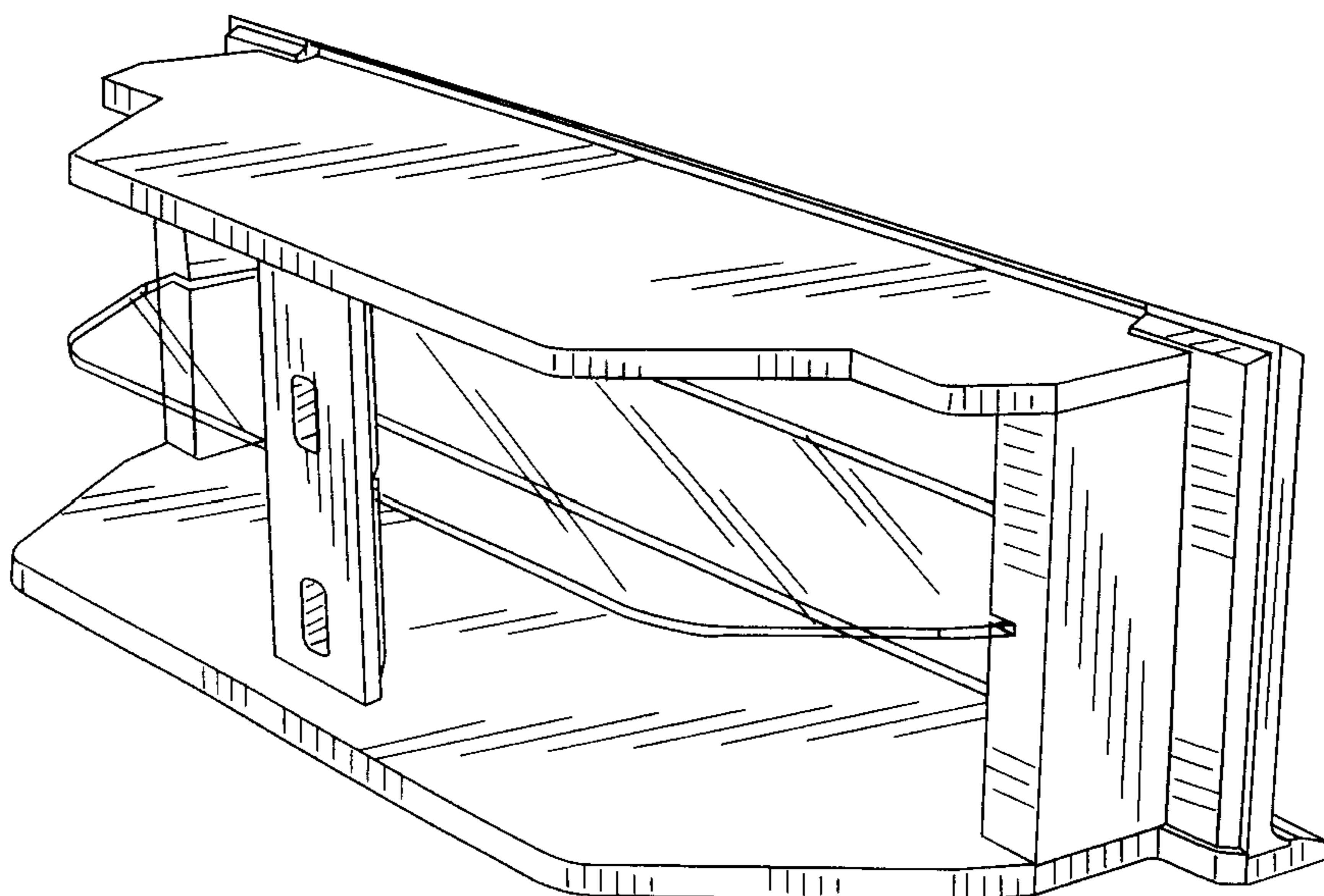
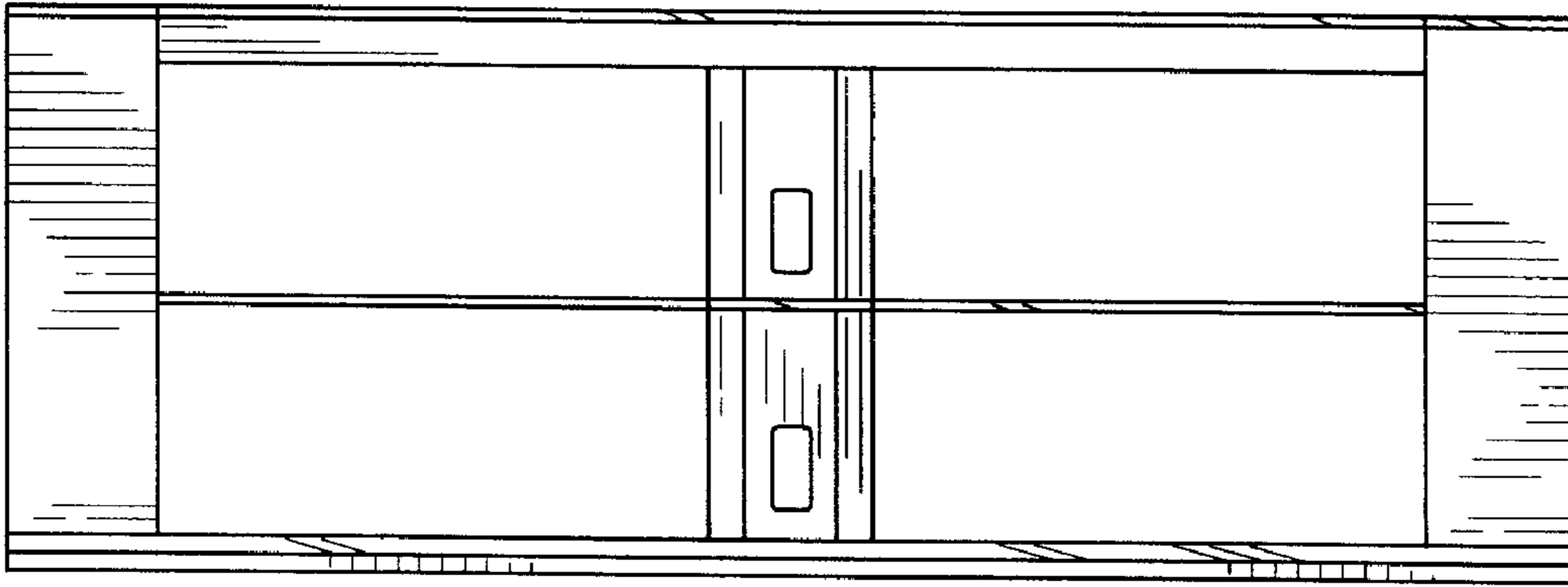


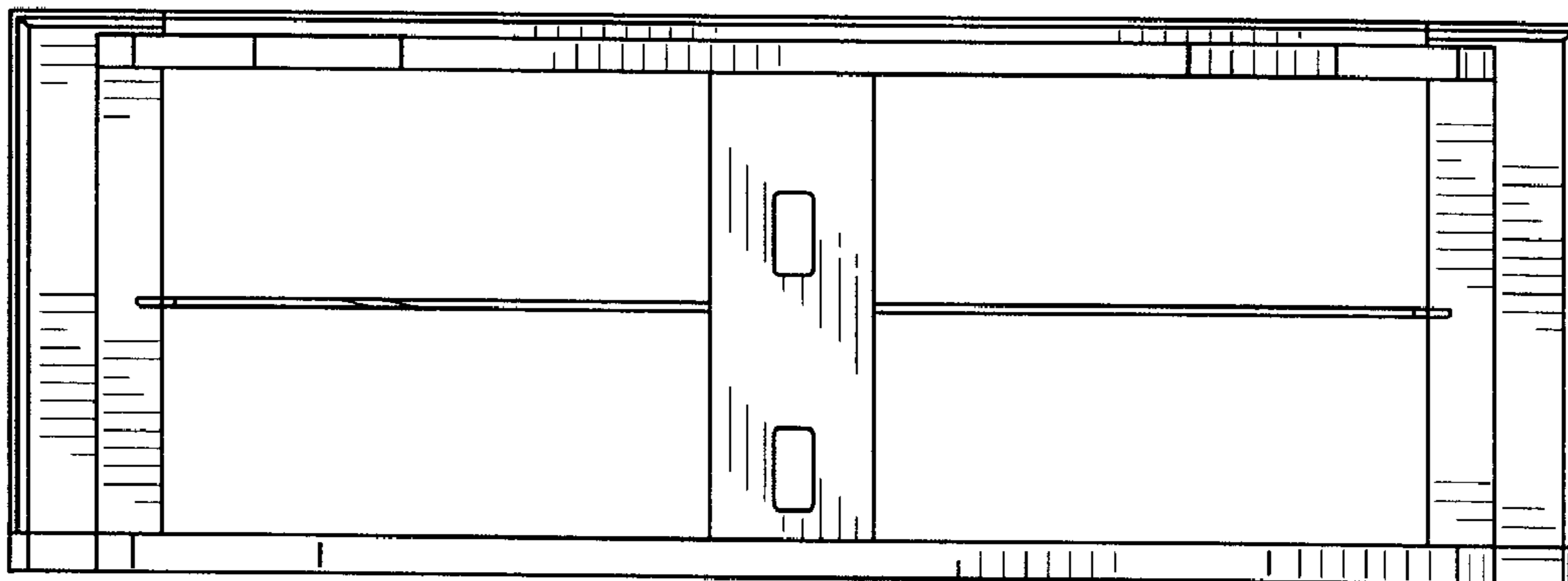
FIG. 2



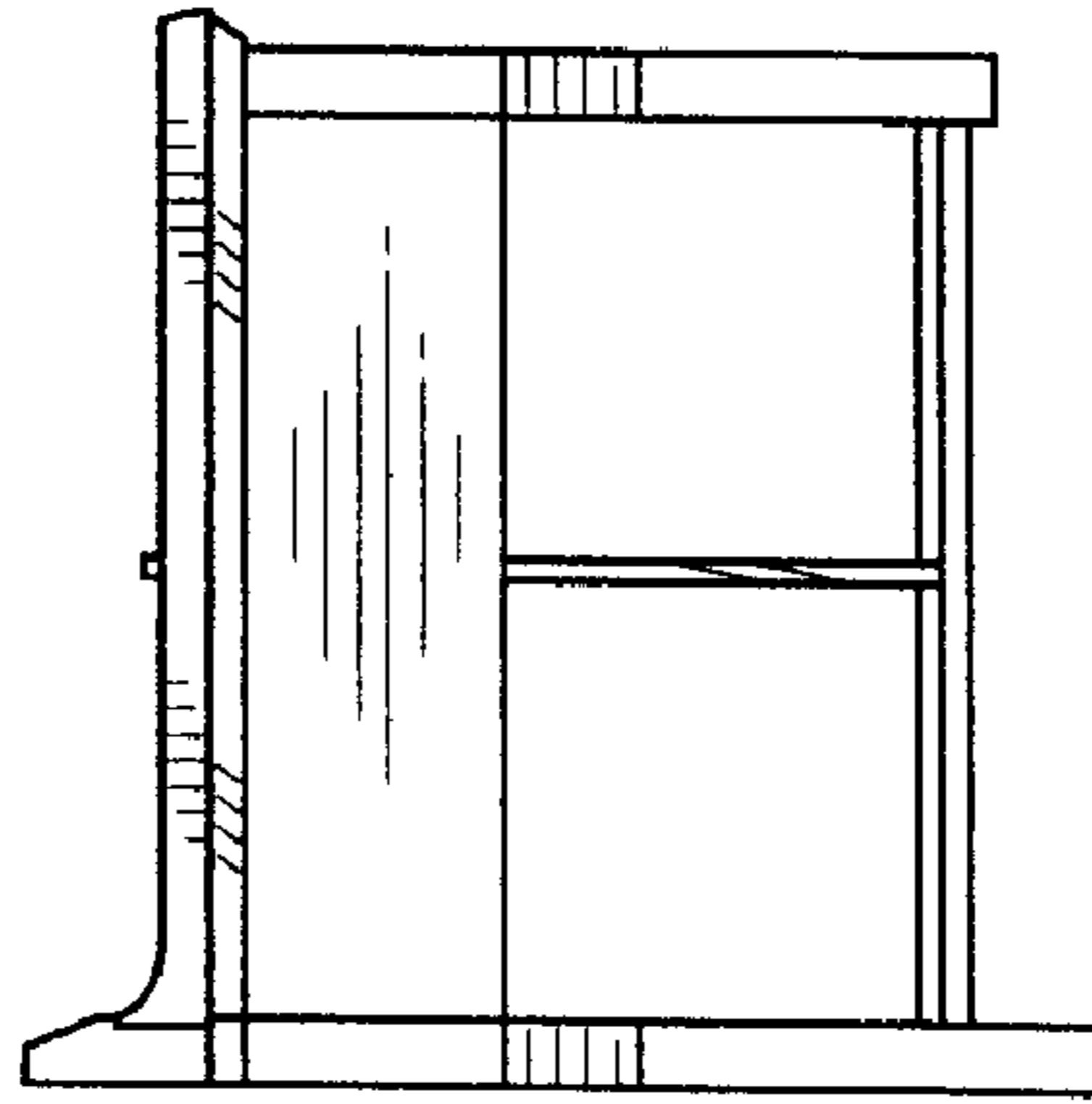
*FIG.3*



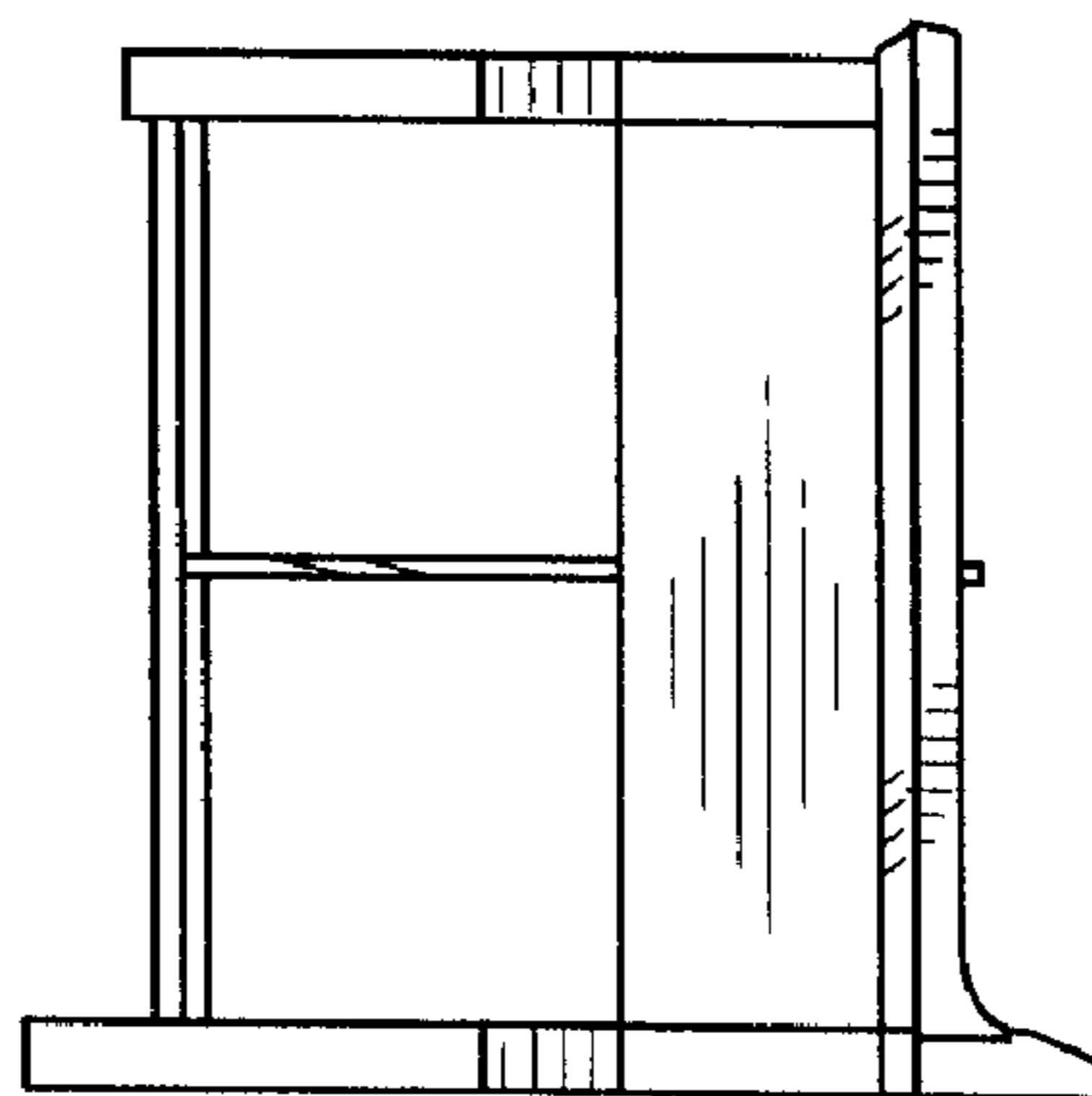
*FIG.4*



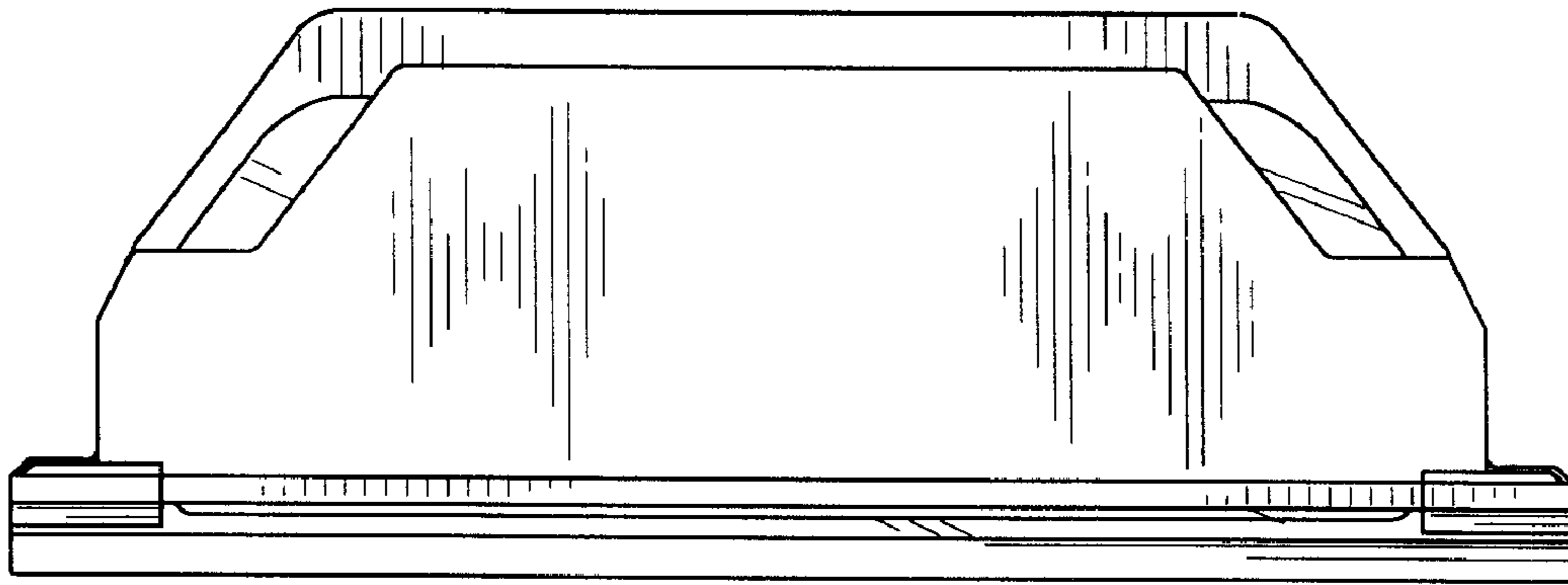
*FIG.5*



*FIG.6*



*FIG.7*



*FIG.8*

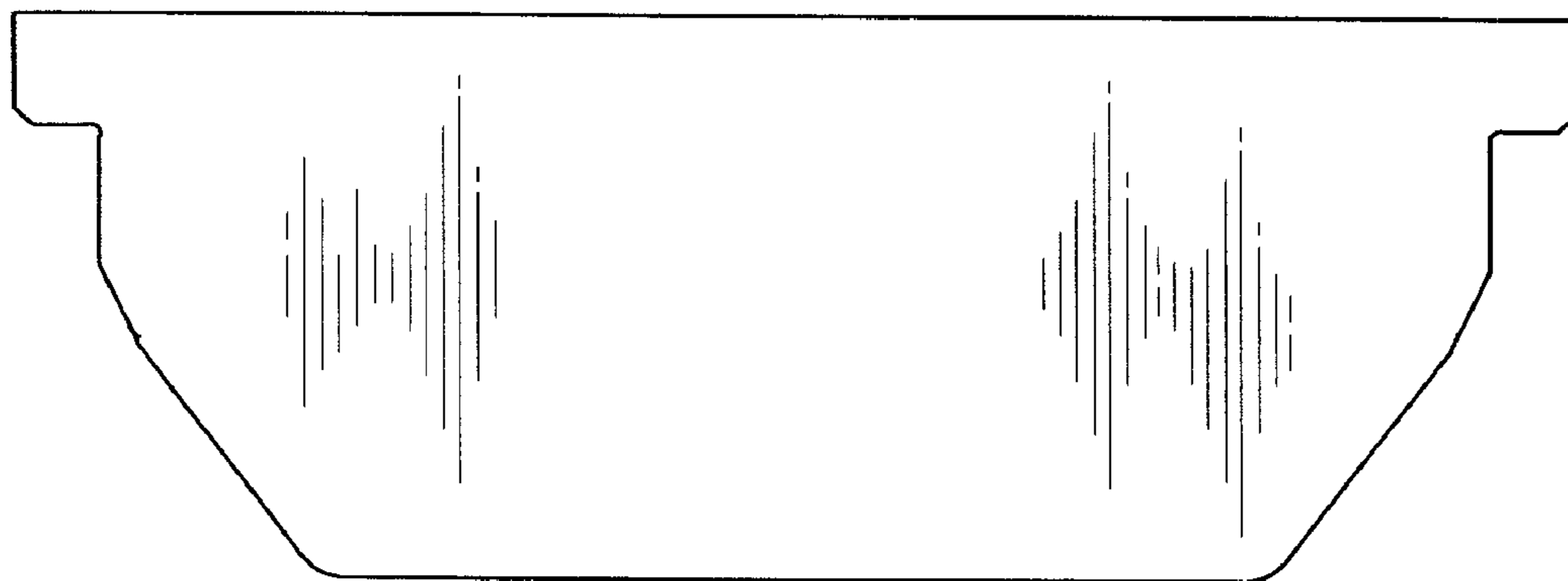


FIG. 9

