



US00D539056S

(12) **United States Design Patent**  
**Helmetag et al.**

(10) **Patent No.:** **US D539,056 S**

(45) **Date of Patent:** **\*\* Mar. 27, 2007**

(54) **DISPLAY WALL**

(75) Inventors: **Keith Helmetag**, Brooklyn, NY (US);  
**David Fink**, Glendale, CA (US); **Mitch Scott**, Sebring, OH (US); **Laurie Mobley**, North Canton, OH (US)

(73) Assignee: **National Inventor's Hall of Fame Foundation**, Akron, OH (US)

(\*\*) Term: **14 Years**

(21) Appl. No.: **29/246,796**

(22) Filed: **May 10, 2006**

(51) **LOC (8) Cl.** ..... **06-04**

(52) **U.S. Cl.** ..... **D6/470; D6/446**

(58) **Field of Classification Search** ..... D6/397,  
D6/436-439, 470-472, 477-479; 312/204,  
312/114, 117, 283, 285, 286

See application file for complete search history.

(56) **References Cited**

**U.S. PATENT DOCUMENTS**

D256,197 S \* 8/1980 Kates ..... D6/478

D367,374 S \* 2/1996 Gerber ..... D6/397

D367,783 S \* 3/1996 Gerber ..... D6/477

D433,841 S \* 11/2000 Huber et al. .... D6/436

D492,506 S \* 7/2004 Mendini ..... D6/436

D498,614 S \* 11/2004 Kalaouze ..... D6/470

D518,661 S \* 4/2006 Mendini ..... D6/436

\* cited by examiner

*Primary Examiner*—Cathron C. Brooks

(74) *Attorney, Agent, or Firm*—Workman Nydegger

(57) **CLAIM**

The ornamental design for a display wall, as shown and described.

**DESCRIPTION**

FIG. 1 is a top-left-side perspective view of a display wall according to the present invention;

FIG. 2 is a front perspective view of the display wall;

FIG. 3 is a top view of the display wall;

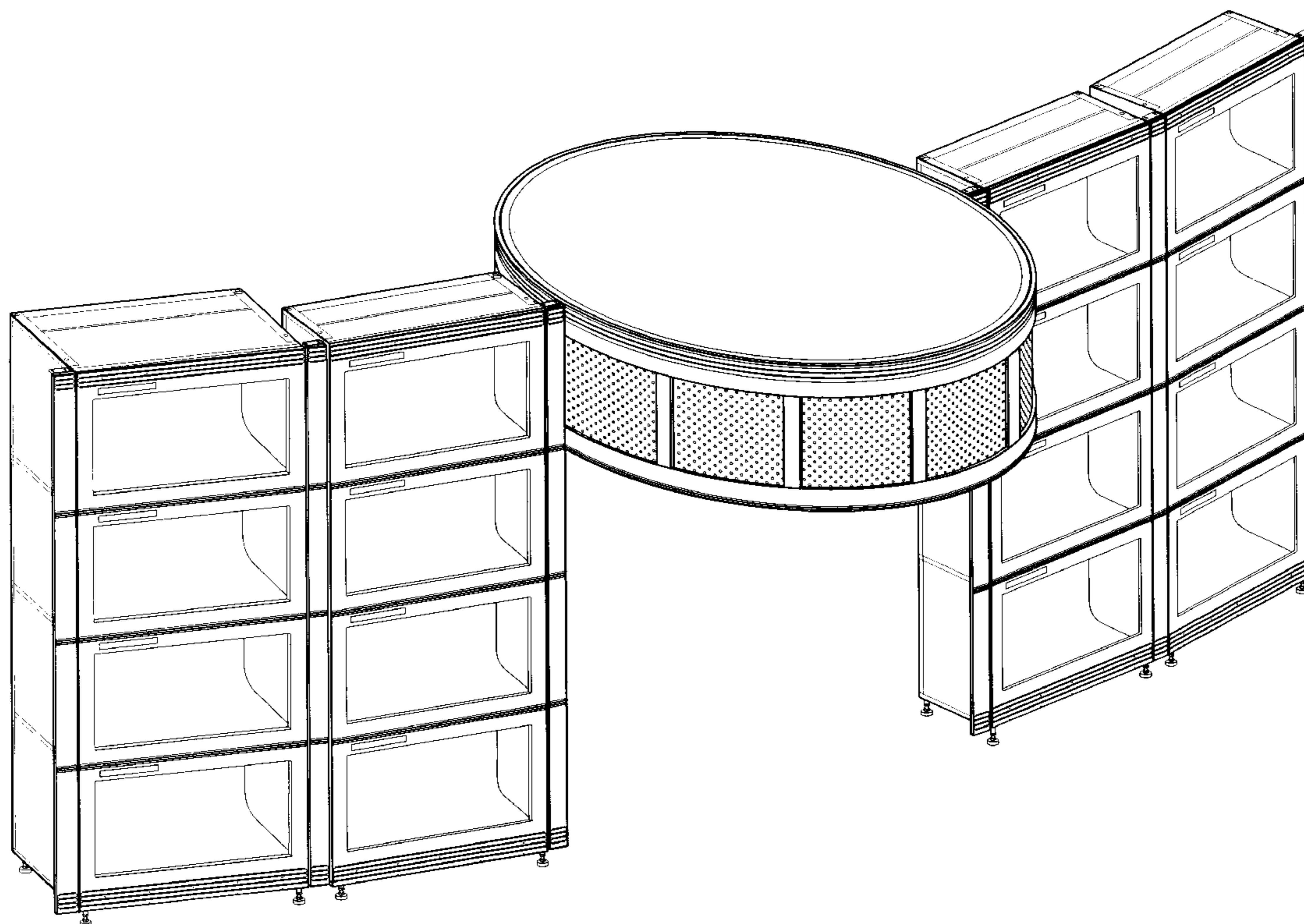
FIG. 4 is a left view of the display wall;

FIG. 5 is a right view of the display wall; and,

FIG. 6 is a diagrammatic top plan view of the display wall, with the details of FIG. 3 not shown for ease of illustration, and showing in broken lines that portions of the display wall can repeat in a linear fashion.

The broken lines shown in the figures are for illustrative purposes only and form no part of the claimed design.

**1 Claim, 4 Drawing Sheets**



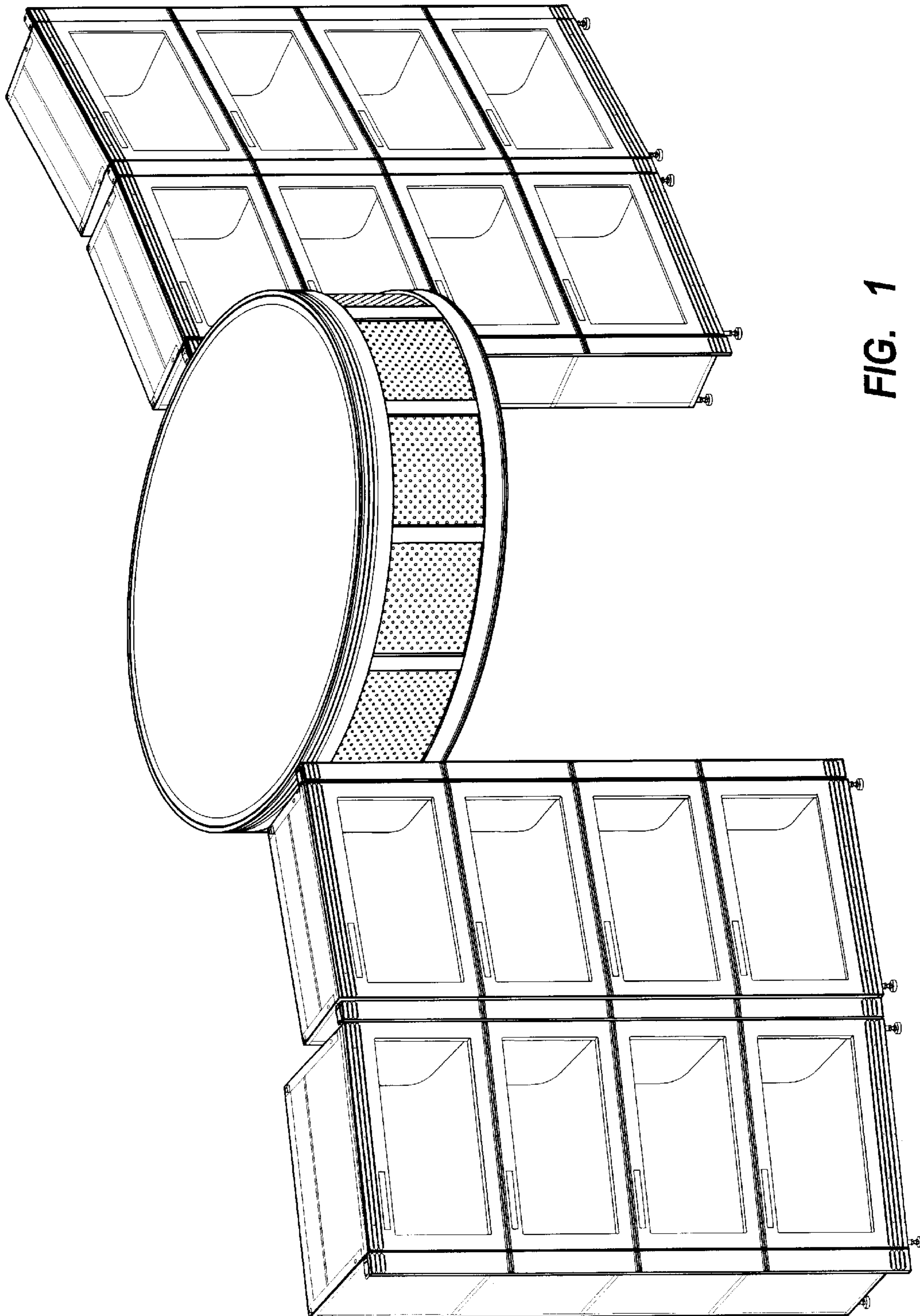


FIG. 1

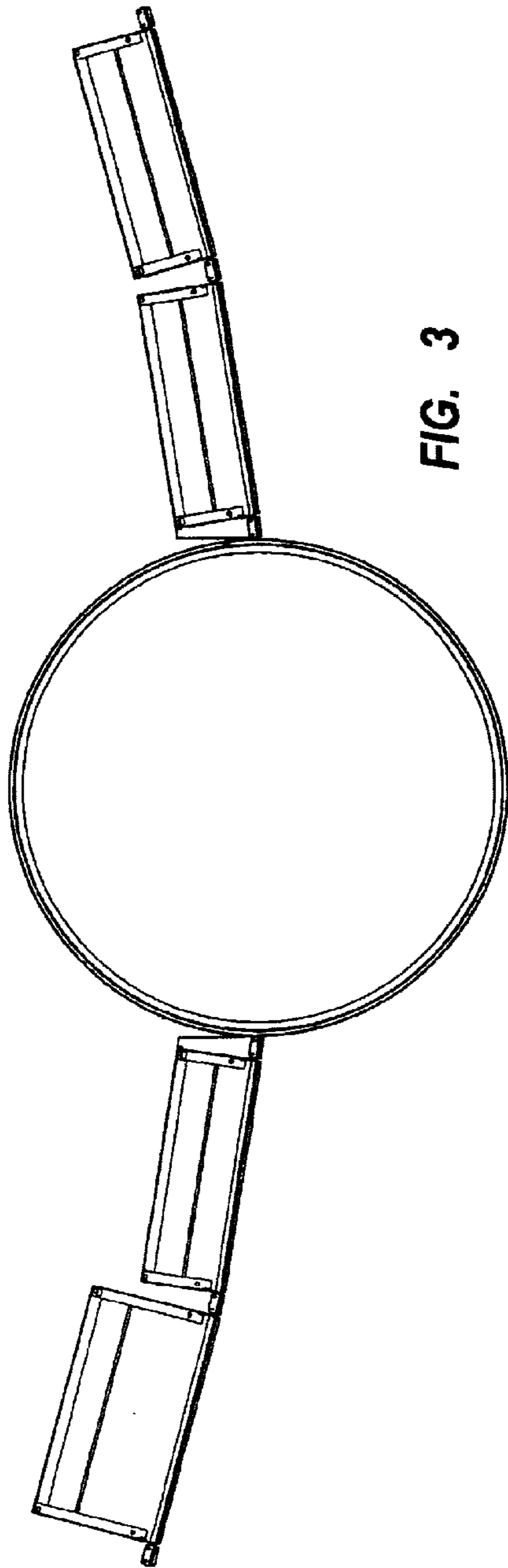


FIG. 3

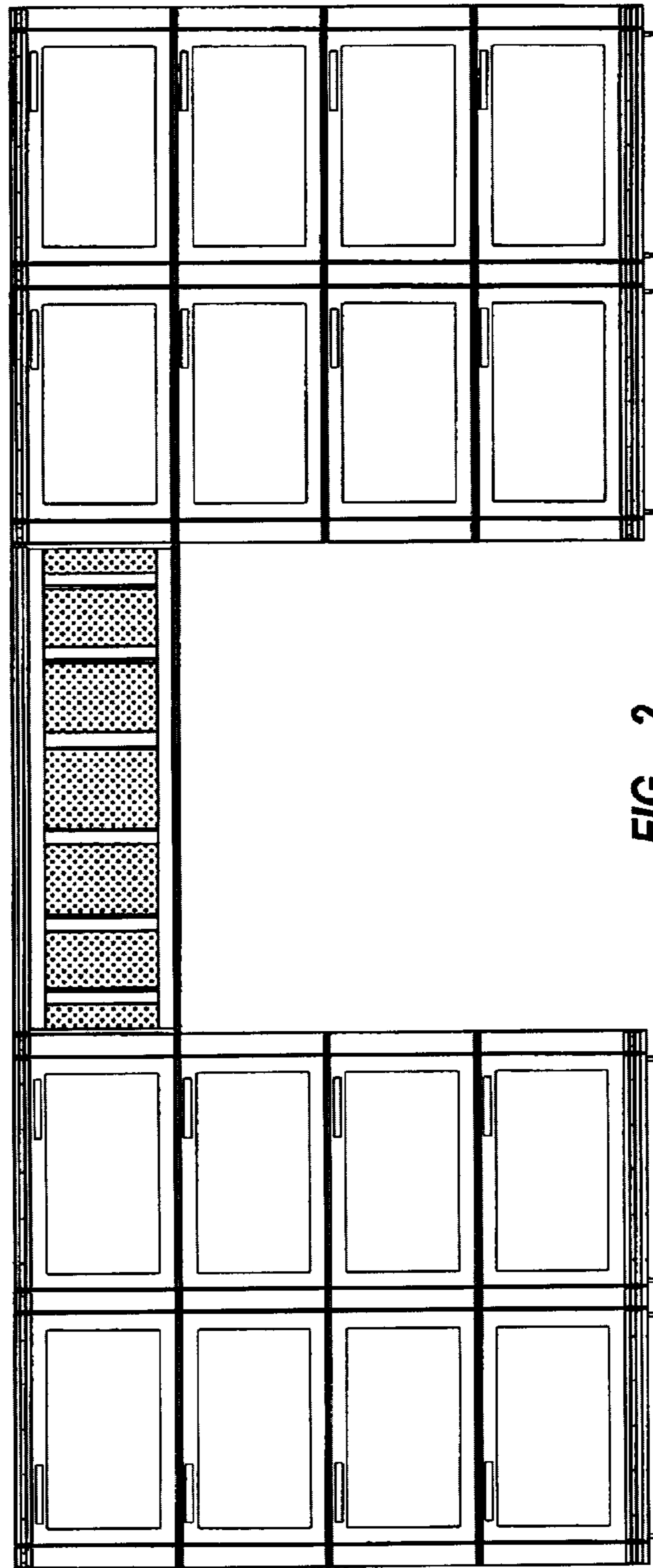


FIG. 2



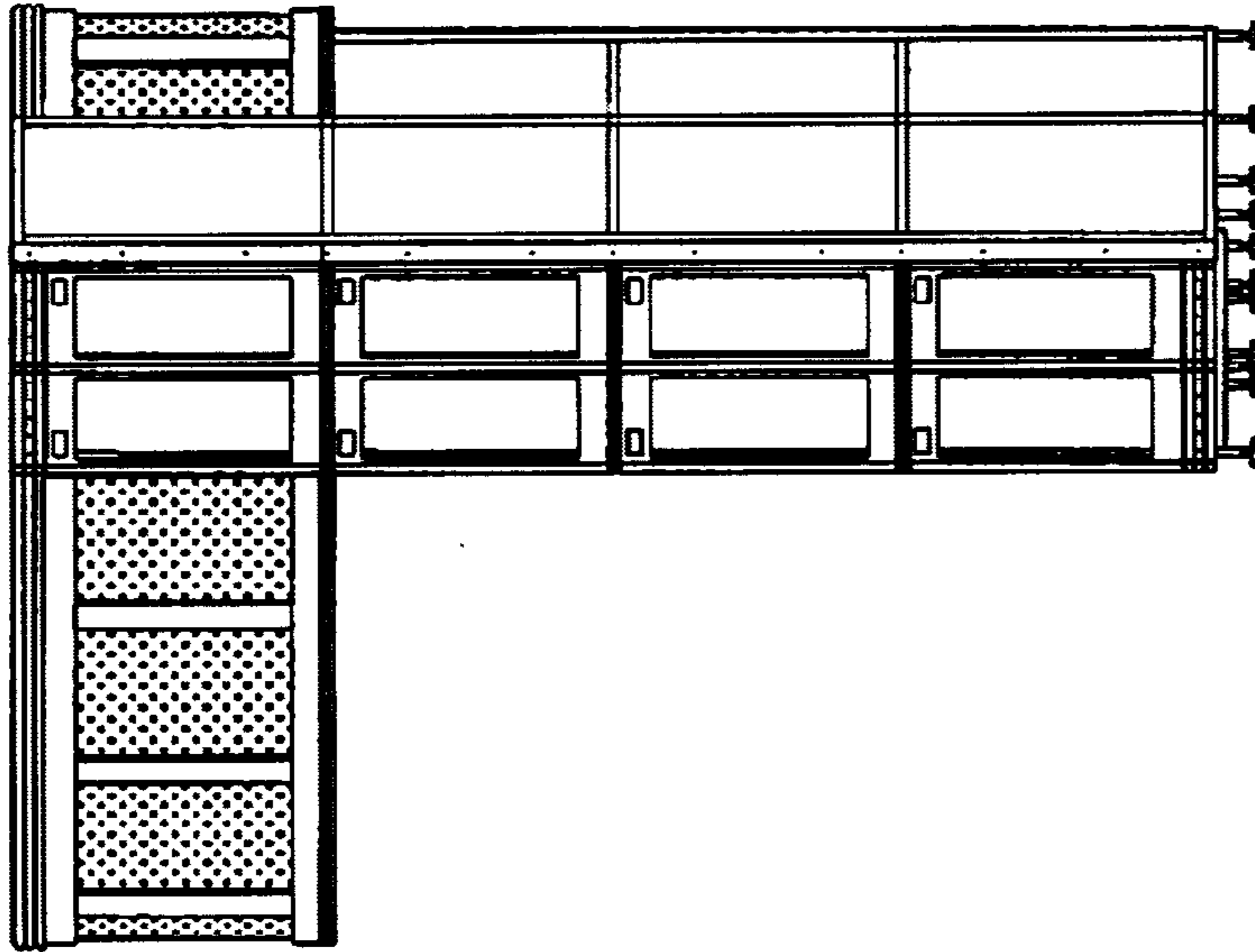


FIG. 5

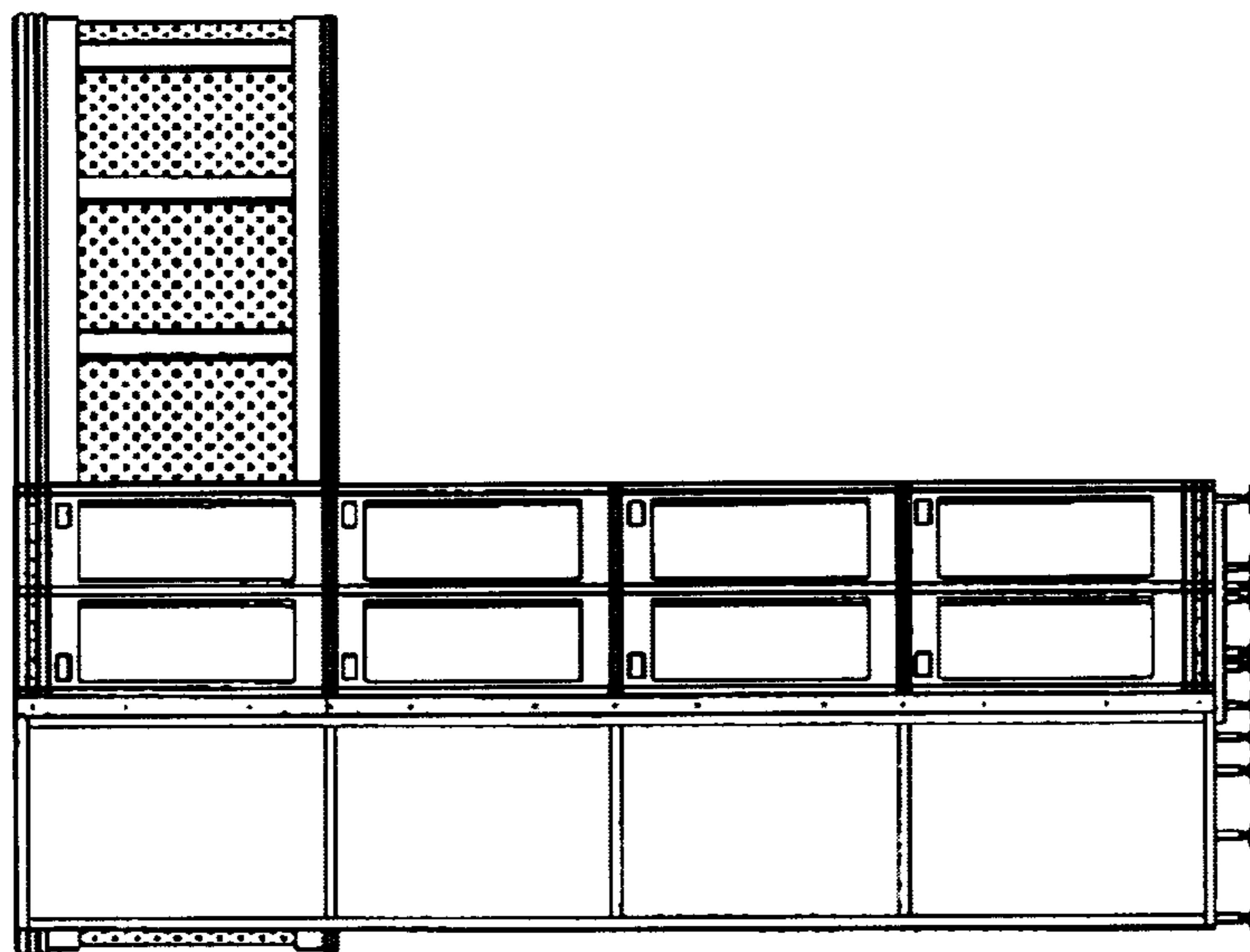


FIG. 4

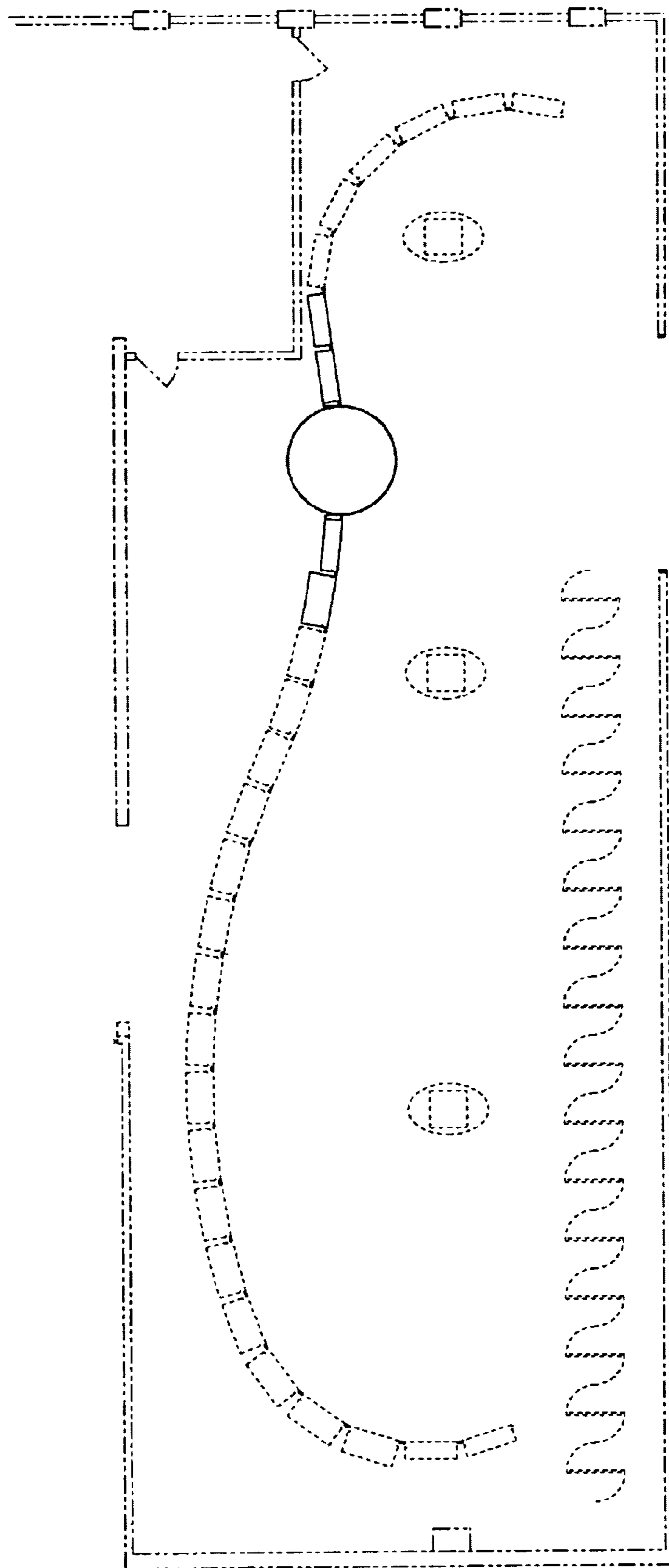


FIG. 6