



US00D539055S

(12) **United States Design Patent**
Kershaw

(10) **Patent No.:** **US D539,055 S**
(45) **Date of Patent:** **** Mar. 27, 2007**

(54) **BALL HOLDER**

(76) Inventor: **Thomas Kershaw**, 5626 Riverside Dr.,
Cape Coral, FL (US) 33904

(**) Term: **14 Years**

(21) Appl. No.: **29/253,398**

(22) Filed: **Feb. 6, 2006**

(51) **LOC (8) Cl.** **06-04**

(52) **U.S. Cl.** **D6/457**; D11/131; D11/164

(58) **Field of Classification Search** D3/257–259,
D3/314; D6/449, 455, 457, 466, 475, 495,
D6/509–511, 552; D9/715, 721, 455, 456;
D11/130, 131, 155, 164; D19/75, 77, 92,
D19/95; 206/315.1, 315.9, 315.91, 557, 562–564;
211/14, 71.01, 126.1, 133.1; 248/176.1, 309.1,
248/311.2, 314, 346.01, 346.03, 346.5; 473/387,
473/417–420

See application file for complete search history.

(56) **References Cited**

U.S. PATENT DOCUMENTS

D76,703 S	10/1928	Post	
D103,562 S	* 3/1937	Cook D9/455
D108,606 S	* 2/1938	Nagle D9/433
2,242,741 A	* 5/1941	Betts et al. 229/113
2,545,320 A	* 3/1951	Tilson et al. 248/346.03
3,055,573 A	* 9/1962	Carter 229/178
D202,433 S	* 9/1965	Cullity D21/716
D228,328 S	9/1973	Schley	
D258,125 S	2/1981	Bailey	
D273,929 S	* 5/1984	Rolli, Jr. D7/504

D286,594 S	* 11/1986	Gummere D6/455
D290,447 S	6/1987	Evans	
D319,940 S	* 9/1991	Ehlebracht D6/510
D331,538 S	* 12/1992	Fabre D9/455
D359,655 S	6/1995	Hurst	
D370,867 S	6/1996	Phelps	
D370,868 S	6/1996	Phelps	
D409,415 S	* 5/1999	Elmer et al. D6/457
6,209,720 B1	* 4/2001	Chen 206/315.1
D464,836 S	10/2002	Barrera	
D478,480 S	8/2003	Leon	
6,899,224 B2	5/2005	Sheffield	

* cited by examiner

Primary Examiner—Catherine Tuttle

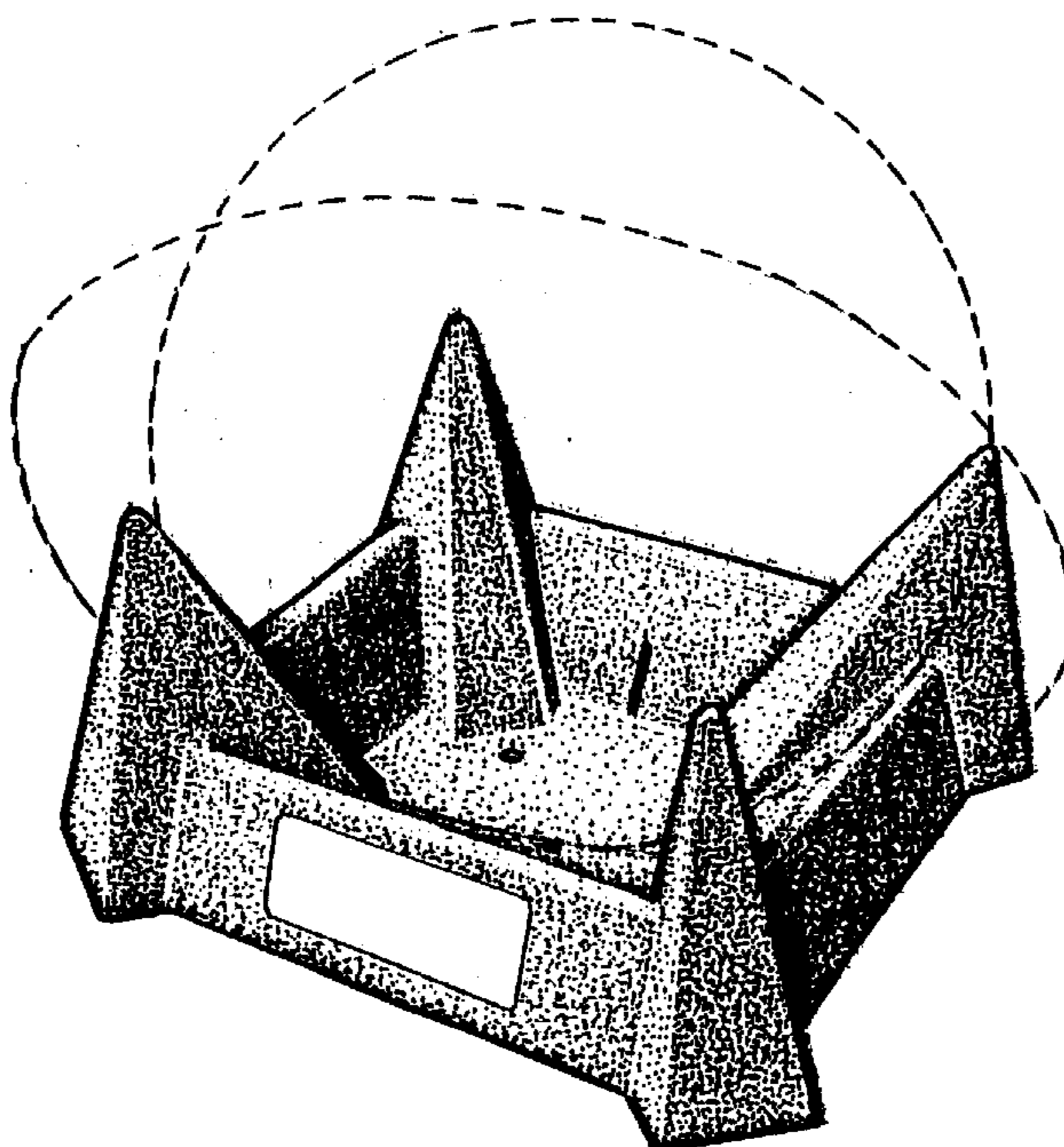
(57) **CLAIM**

The ornamental design for a ball holder, as shown and described.

DESCRIPTION

FIG. 1 is a perspective view of a ball holder showing my new design, which is used for display purposes; FIG. 2 is a perspective view thereof, with arrows identifying direction of cross-sectional views; FIG. 3 is a cross-sectional view thereof, taken in the direction of the arrows along line 3—3 of FIG. 2; FIG. 4 is a cross-sectional view thereof, taken in the direction of the arrows along line 4—4 of FIG. 2; and, FIG. 5 is a perspective view thereof, the balls shown in broken lines being for illustrative purposes only; and forming no part of the claimed design.

1 Claim, 5 Drawing Sheets



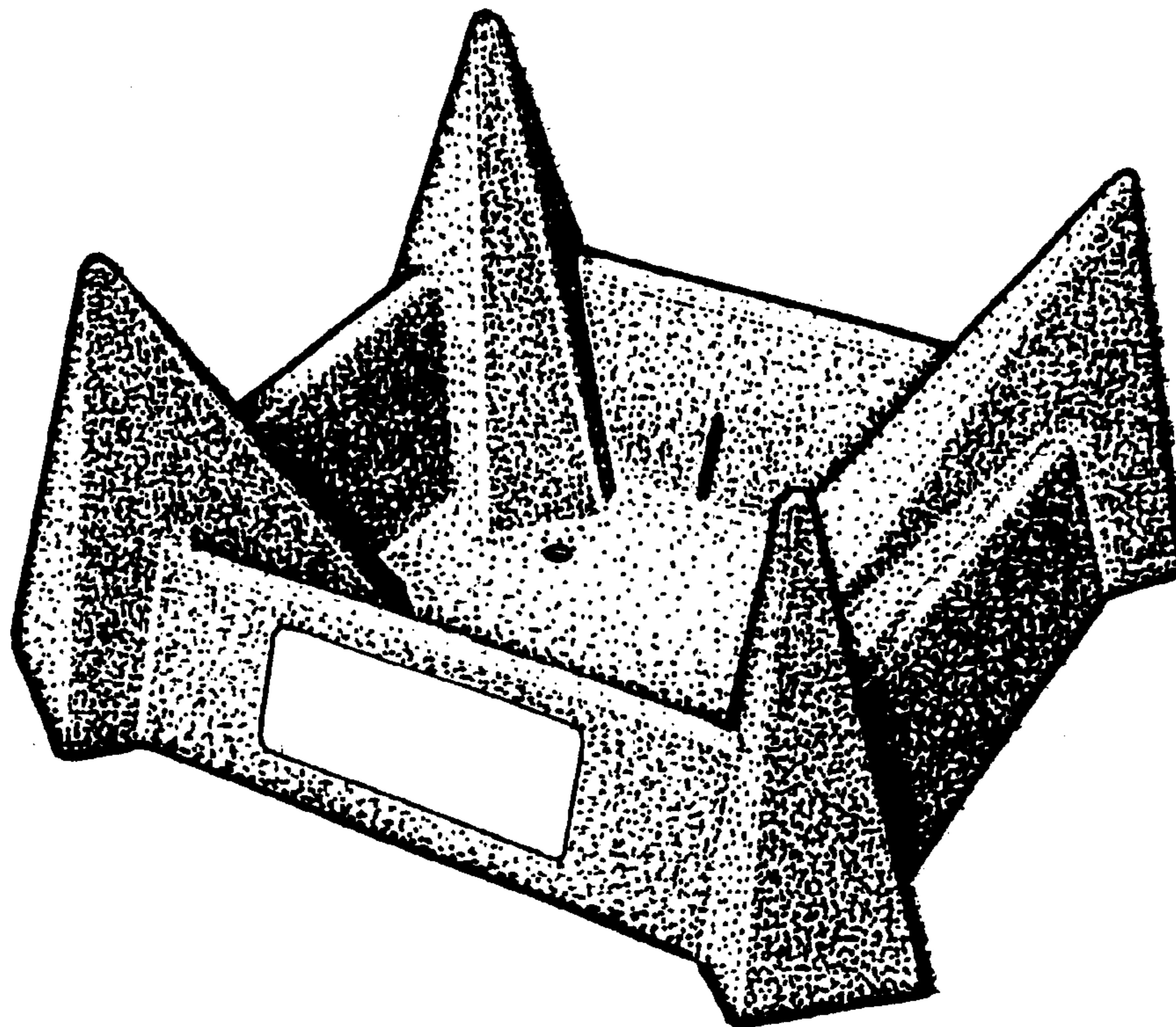


FIG. 1

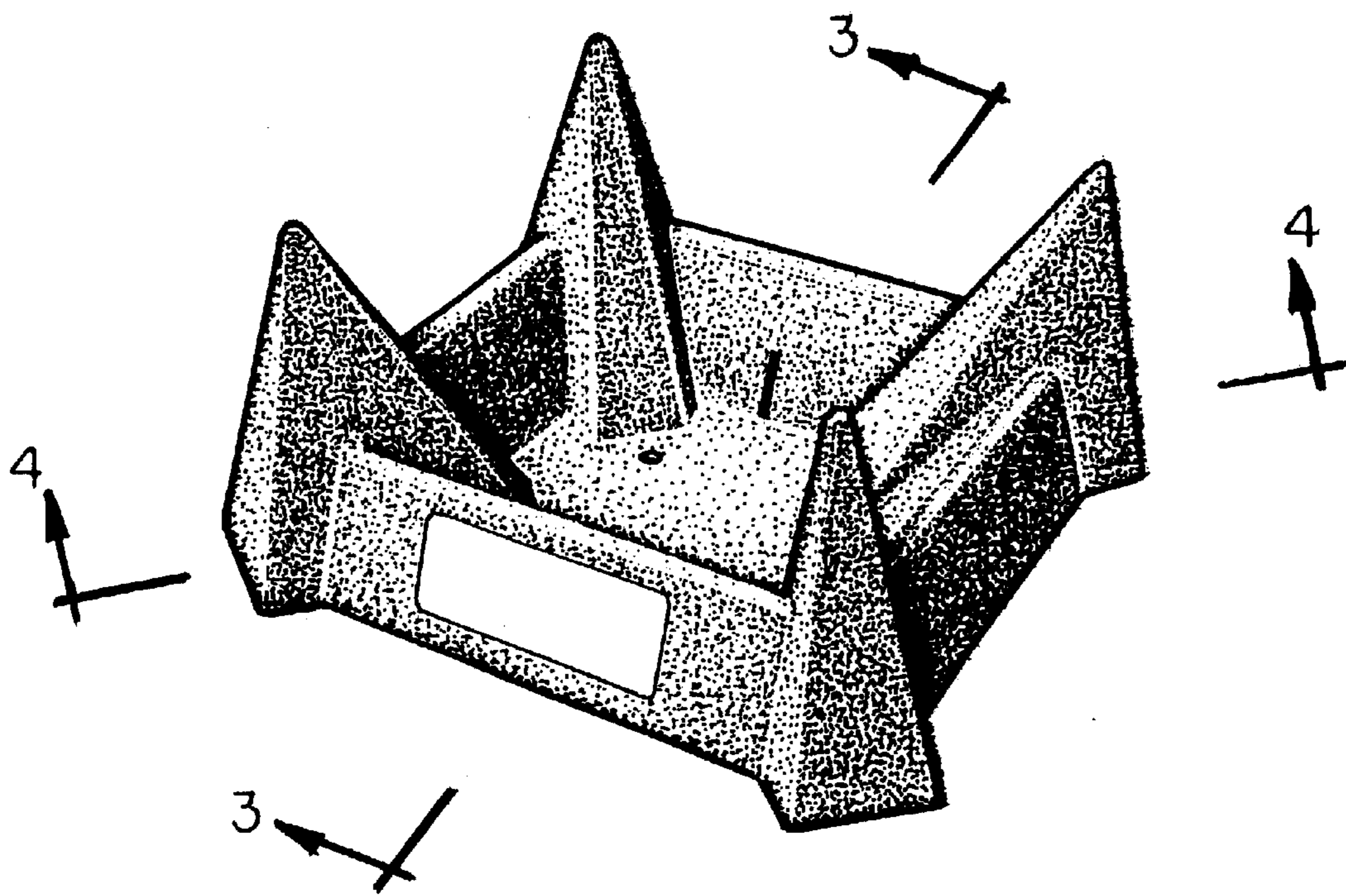


FIG.2

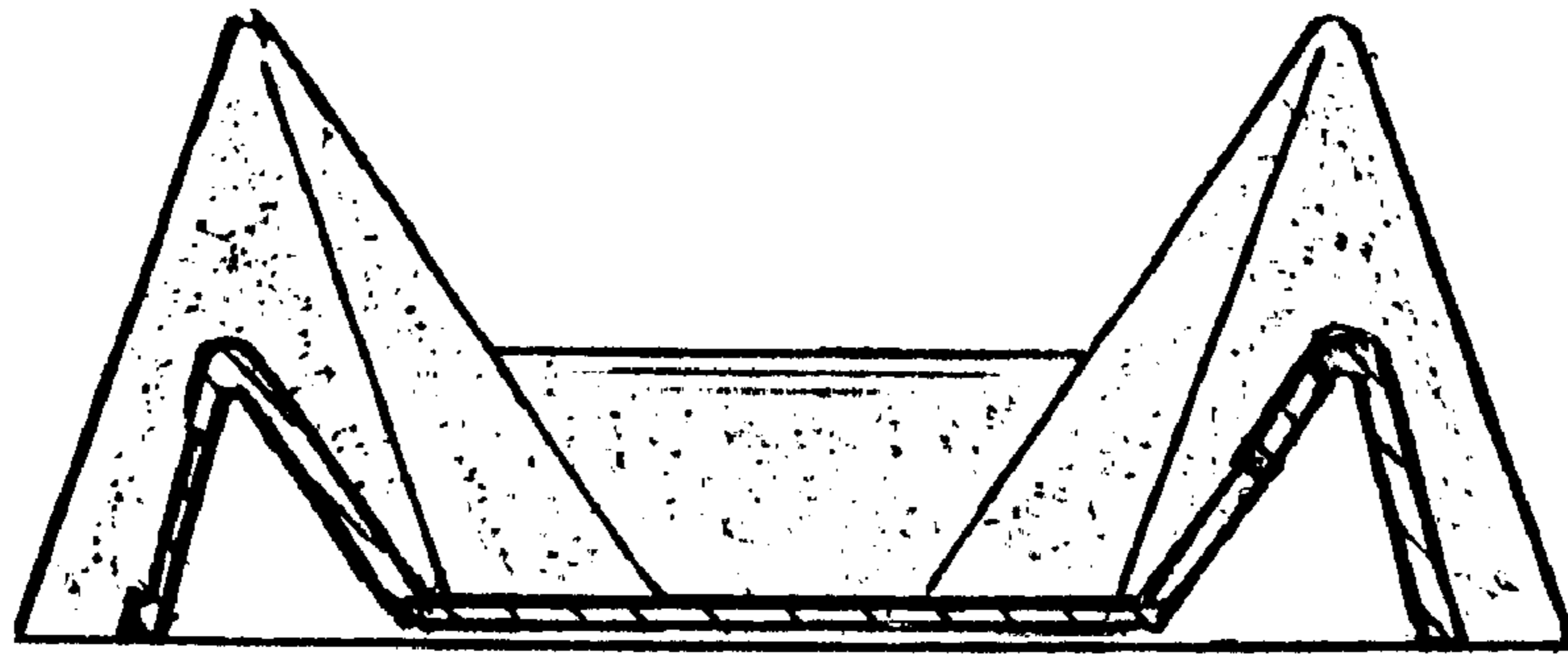


FIG. 3

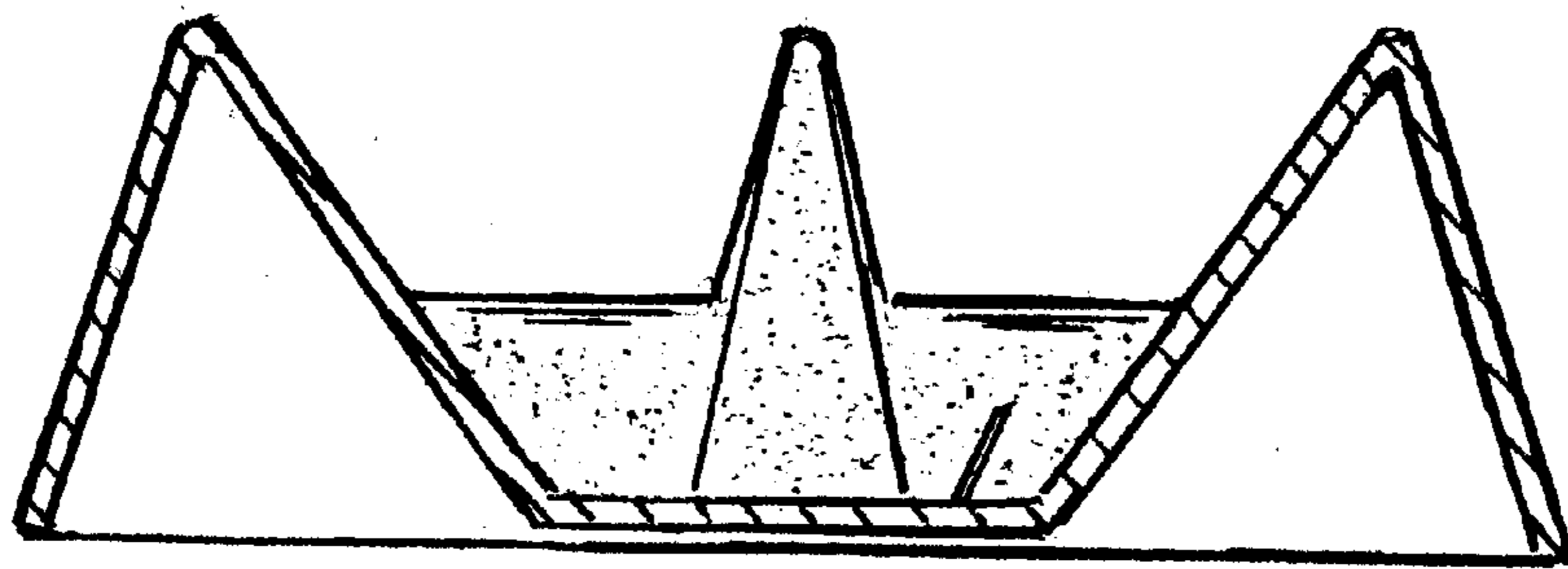


FIG. 4

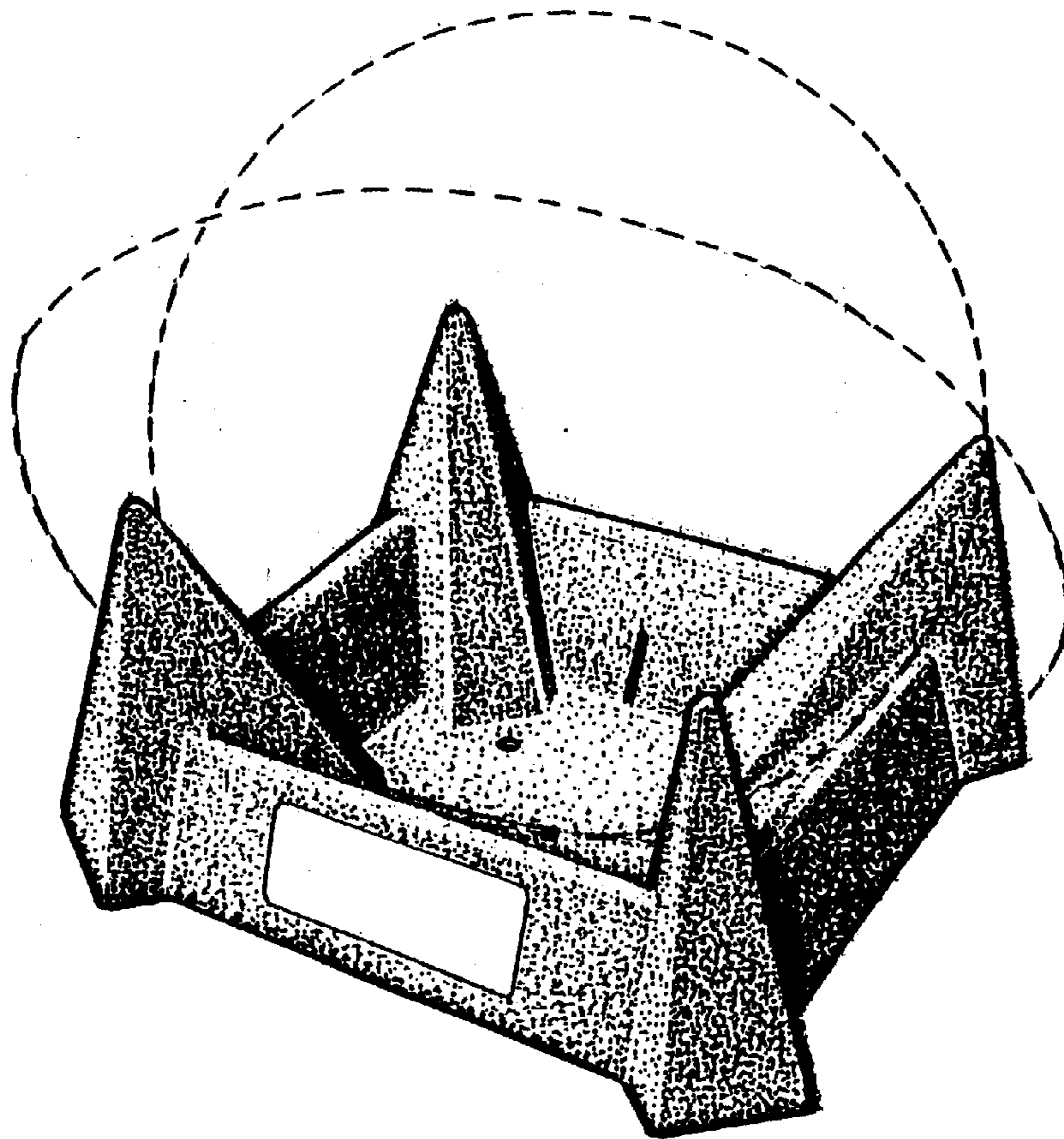


FIG. 5