



US00D539053S

(12) **United States Design Patent**  
**Adair et al.**

(10) **Patent No.:** **US D539,053 S**  
(45) **Date of Patent:** **\*\* Mar. 27, 2007**

(54) **SOFA**  
(75) Inventors: **Lisa A. Adair**, New Albany, MS (US);  
**Christopher W. Burgett**, Saultillo, MS  
(US); **Christie D. Lamb**, Tupelo, MS  
(US)

(73) Assignee: **Ashley Furniture Industries, Inc.**,  
Arcadia, WI (US)

(\*\*) Term: **14 Years**

(21) Appl. No.: **29/225,714**

(22) Filed: **Mar. 18, 2005**

(51) **LOC (8) Cl.** ..... **06-01**

(52) **U.S. Cl.** ..... **D6/381**

(58) **Field of Classification Search** ..... D6/334-335,  
D6/337, 357, 364, 371, 377, 381, 500-502;  
297/232, 233, 245, 248, 411.2, 411.42, 445.1,  
297/446.1, 448.1; 5/12.1

See application file for complete search history.

(56) **References Cited**

**U.S. PATENT DOCUMENTS**

- D327,588 S 7/1992 Harmon
- D337,692 S 7/1993 Natuzzi et al.
- D362,129 S 9/1995 Natuzzi et al.
- D362,353 S \* 9/1995 Natuzzi et al. .... D6/381
- D382,724 S 8/1997 Natuzzi et al.
- D385,121 S \* 10/1997 Natuzzi et al. .... D6/381
- D387,212 S \* 12/1997 Natuzzi et al. .... D6/381
- D387,575 S \* 12/1997 Natuzzi et al. .... D6/381
- D390,032 S 2/1998 Natuzzi et al.
- D390,371 S \* 2/1998 Gibson ..... D6/381
- D390,373 S 2/1998 Natuzzi et al.
- D391,093 S 2/1998 Natuzzi et al.
- D394,359 S 5/1998 Natuzzi et al.
- D399,358 S \* 10/1998 Natuzzi et al. .... D6/381
- D399,359 S 10/1998 Natuzzi et al.
- D407,573 S 4/1999 Natuzzi et al.
- D419,794 S 2/2000 Natuzzi et al.
- D424,318 S \* 5/2000 Natuzzi et al. .... D6/381
- D428,556 S 7/2000 Natuzzi et al.

- D429,079 S 8/2000 Natuzzi et al.
- D429,080 S 8/2000 Natuzzi et al.
- D431,927 S \* 10/2000 Natuzzi et al. .... D6/381
- D434,245 S 11/2000 Natuzzi et al.
- D439,433 S 3/2001 Natuzzi et al.
- D445,587 S 7/2001 Natuzzi et al.
- D448,945 S 10/2001 Natuzzi et al.
- D467,752 S 12/2002 Nastri
- D473,394 S \* 4/2003 Natuzzi et al. .... D6/381
- D476,164 S \* 6/2003 Ricci ..... D6/381
- D476,499 S \* 7/2003 Ricci ..... D6/381
- D477,928 S \* 8/2003 Natuzzi et al. .... D6/381
- D482,889 S 12/2003 Natuzzi et al.
- D482,892 S 12/2003 Ricci
- D482,894 S \* 12/2003 Ricci ..... D6/381

(Continued)

**OTHER PUBLICATIONS**

Natuzzi sofa #1386, Oct. 1995, 2 pgs. □□ Natuzzi sofa  
#1469, Oct. 1996, 2 pgs.\*

*Primary Examiner*—Sandra Snapp

(74) *Attorney, Agent, or Firm*—Patterson, Thuente, Skaar &  
Christensen, P.A.

(57) **CLAIM**

We claim the ornamental design for sofa, as shown and  
described.

**DESCRIPTION**

FIG. 1 is a front elevational view of a sofa according to an  
embodiment of the invention.

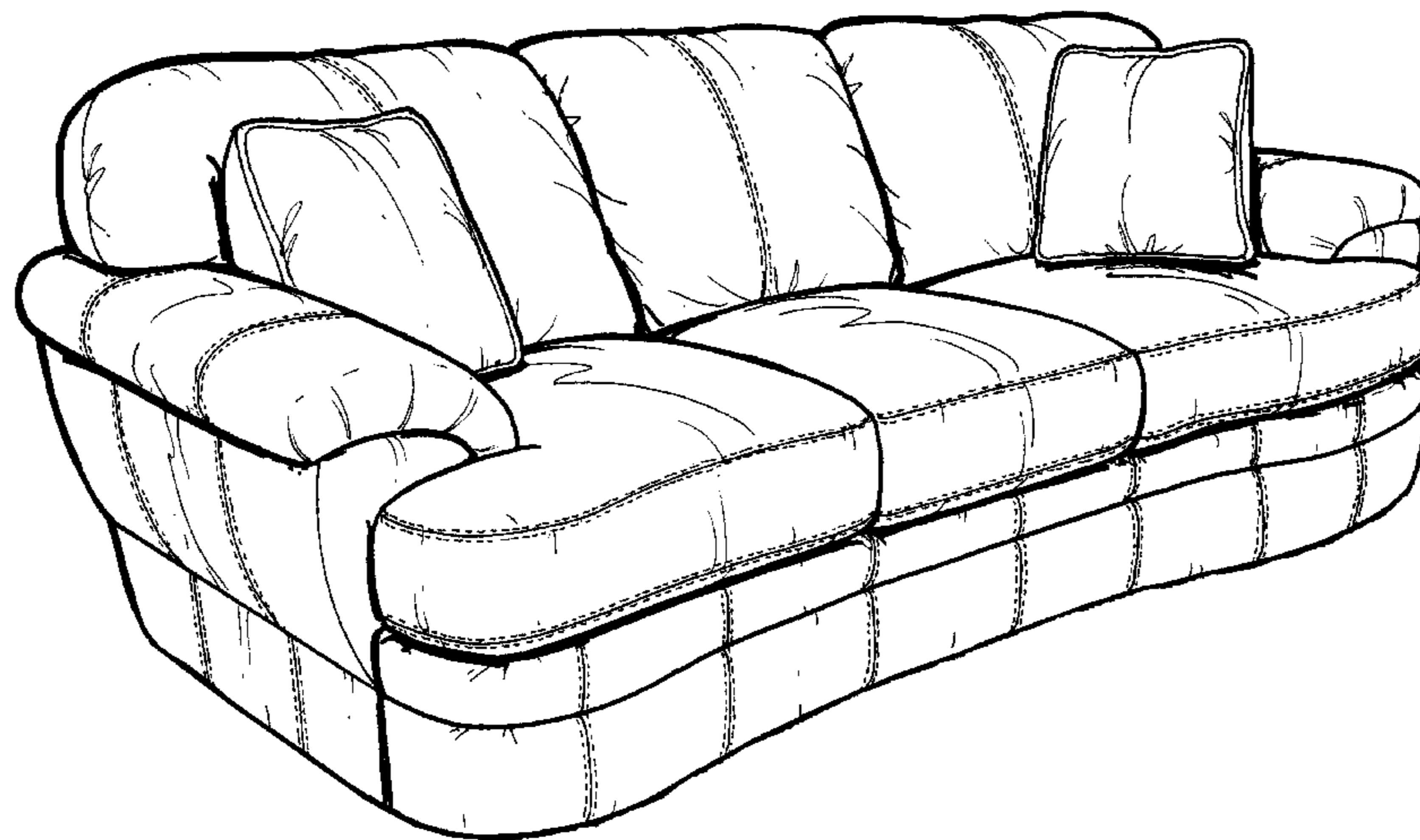
FIG. 2 is a rear elevational view of a sofa according to an  
embodiment of the invention.

FIG. 3 is a side elevational view of a sofa according to an  
embodiment of the invention, the other side being a mirror  
image thereof.

FIG. 4 is a top plan view of a sofa according to an  
embodiment of the invention; and,

FIG. 5 is a perspective view of a sofa according to an  
embodiment of the invention.

**1 Claim, 5 Drawing Sheets**



# US D539,053 S

Page 2

---

## U.S. PATENT DOCUMENTS

D482,896 S	*	12/2003	Ricci	.....	D6/381	D493,628 S		8/2004	Ricci	
D482,897 S	*	12/2003	Ricci	.....	D6/381	D499,269 S	*	12/2004	Ricci	..... D6/381
D485,087 S		1/2004	Natuzzi			D505,027 S	*	5/2005	Ricci	..... D6/381
D485,088 S		1/2004	Ricci			D511,904 S	*	11/2005	Ricci	..... D6/381
D486,006 S		2/2004	Ricci			D512,241 S	*	12/2005	Ricci	..... D6/381
D487,996 S	*	4/2004	Natuzzi	.....	D6/381	D513,904 S	*	1/2006	Natuzzi	..... D6/381
D490,998 S		6/2004	Adair et al.			D514,348 S	*	2/2006	Natuzzi	..... D6/381
D493,297 S		7/2004	Ricci							

\* cited by examiner

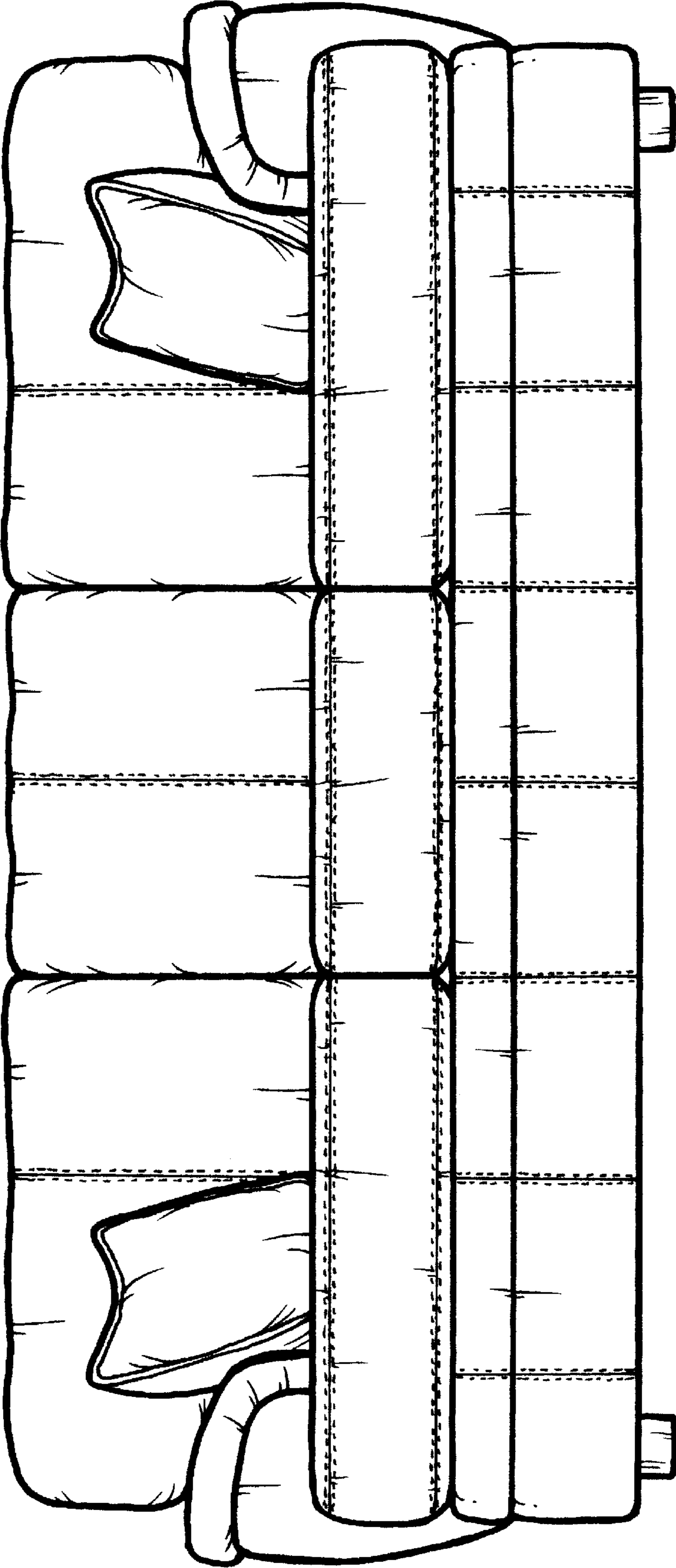


FIG. 1

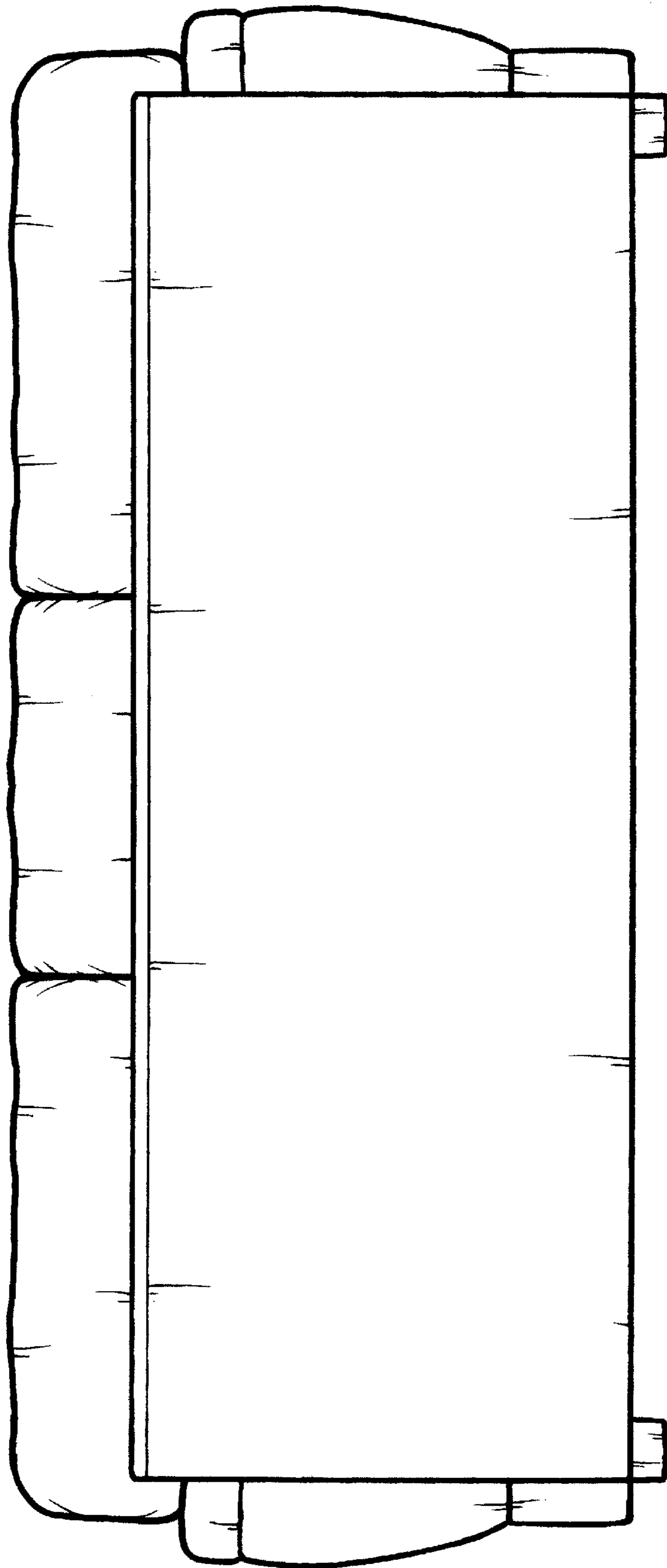


FIG. 2

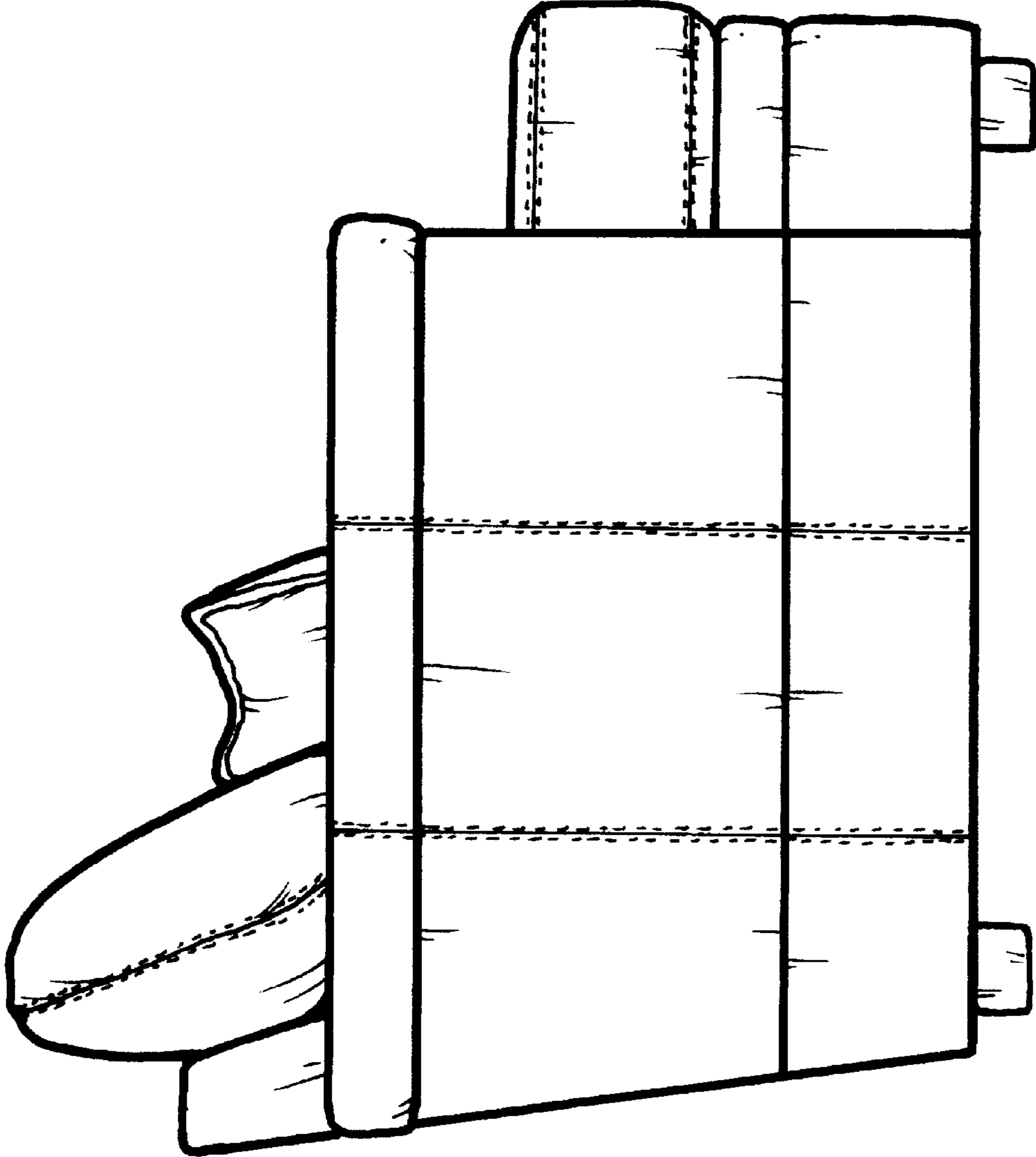


FIG. 3



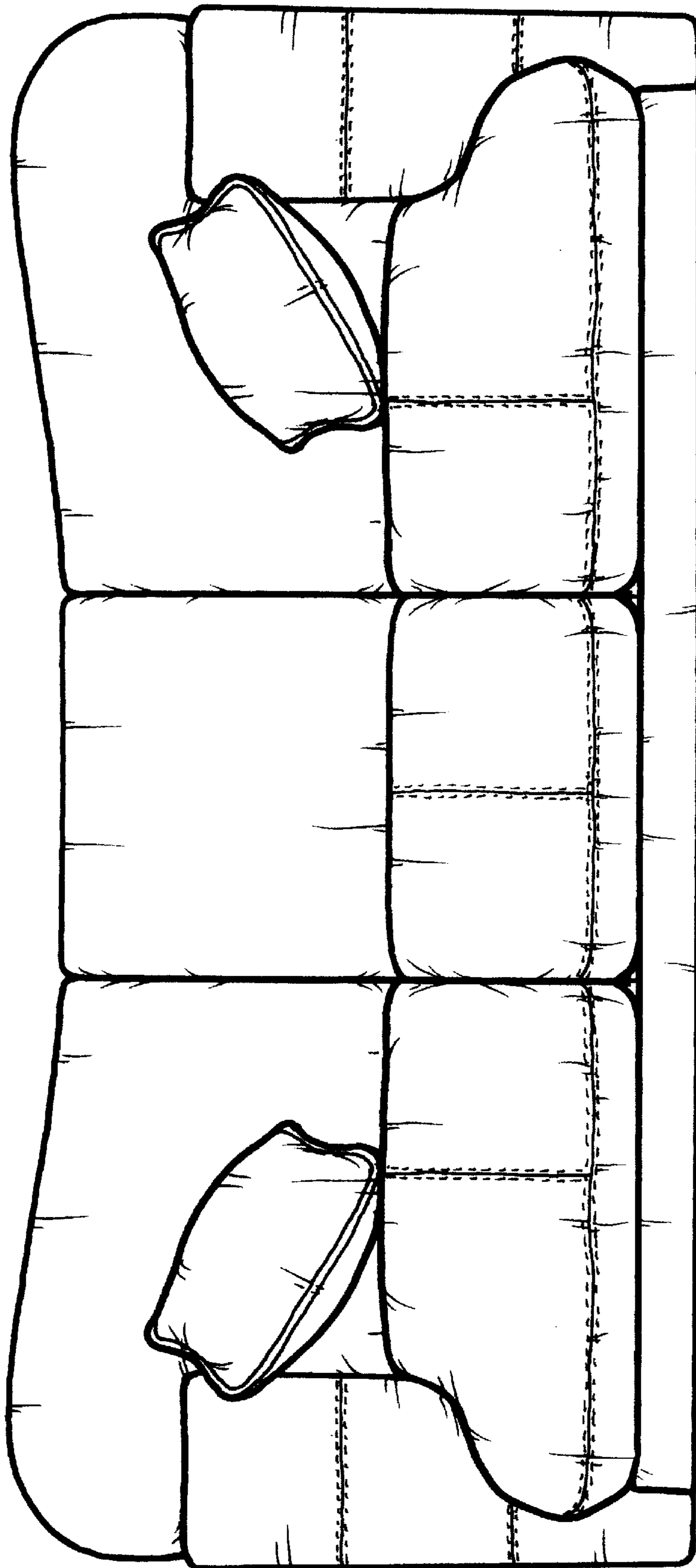


FIG. 4

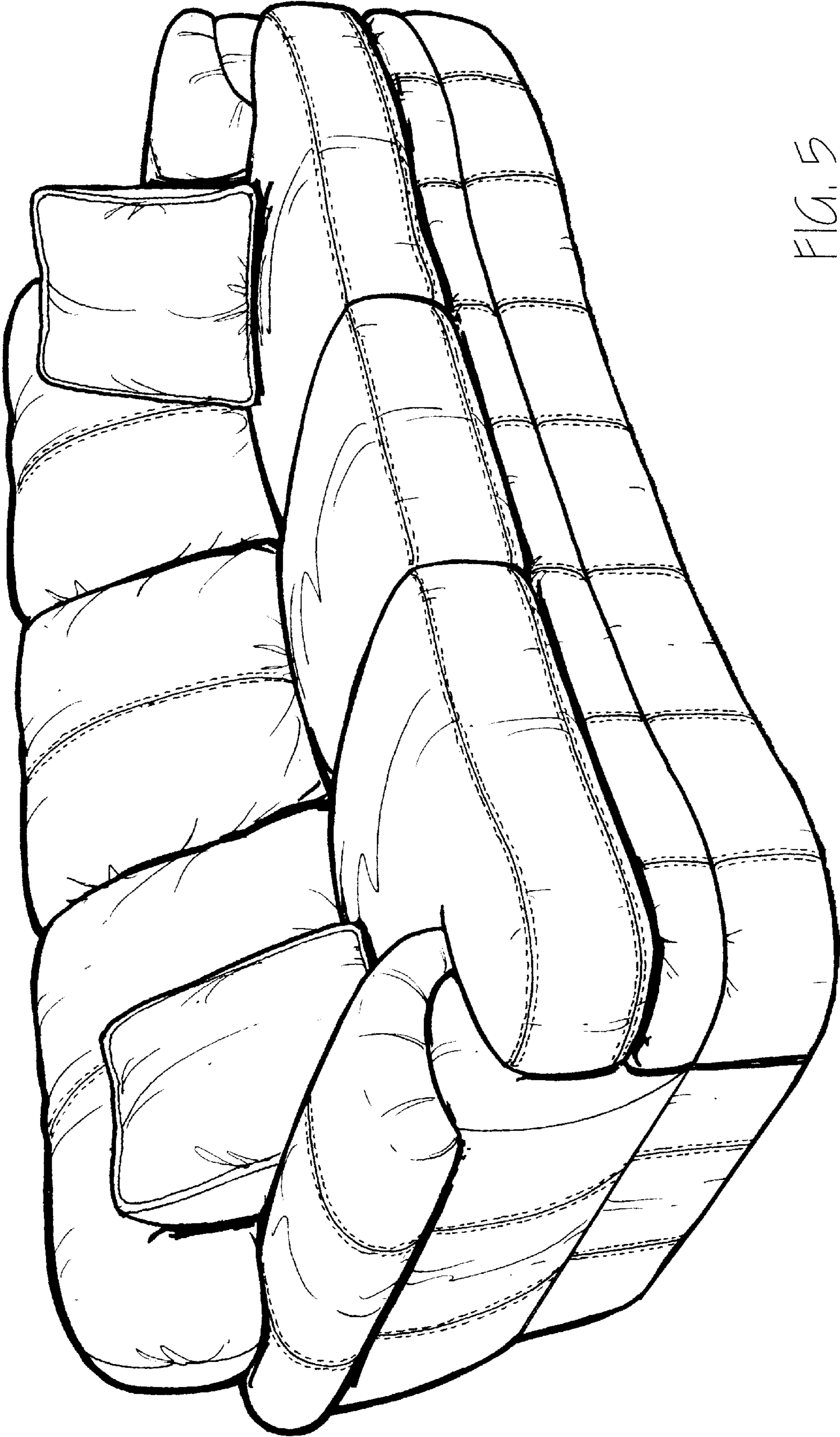


FIG. 5