

US00D539038S

(12) **United States Design Patent**  
**Rosa et al.**

(10) **Patent No.:** **US D539,038 S**  
(45) **Date of Patent:** **\*\* Mar. 27, 2007**

(54) **CLEANING AND POLISHING HOUSEHOLD APPLIANCE**

(75) Inventors: **Carlo Rosa**, Lecco (IT); **Francesco Curreli**, Prato (IT)

(73) Assignee: **Ariete S.p.A.** (IT)

(\*\*) Term: **14 Years**

(21) Appl. No.: **29/203,268**

(22) Filed: **Apr. 13, 2004**

(30) **Foreign Application Priority Data**

Oct. 17, 2003 (EM) ..... 000089008

(51) **LOC (8) Cl.** ..... **04-02**

(52) **U.S. Cl.** ..... **D4/102; D4/127**

(58) **Field of Classification Search** ..... D4/100,  
D4/102, 127, 132, 138, 121; 15/21.1, 22.1,  
15/28, 29, 97.1, 97.2, 98, 230; 451/353, 359,  
451/548; D8/61, 62

See application file for complete search history.

(56) **References Cited**

**U.S. PATENT DOCUMENTS**

1,384,256 A \* 7/1921 Harrell ..... 15/28 X

D167,909 S \* 10/1952 Restagno ..... D4/102  
2,805,433 A \* 9/1957 Ingle ..... 15/28  
4,321,722 A \* 3/1982 Klocke ..... 15/29  
5,960,503 A \* 10/1999 Del Pozo Y Mattei ..... 15/29  
D417,789 S \* 12/1999 Murphy et al. .... D4/102  
D432,744 S \* 10/2000 Schuda et al. .... D8/61 X  
D433,610 S \* 11/2000 Heinrichs et al. .... D8/61

\* cited by examiner

*Primary Examiner*—Alan P. Douglas

*Assistant Examiner*—Lavone D. Tabor

(74) *Attorney, Agent, or Firm*—Stites & Harbison PLLC;  
Marvin Petry

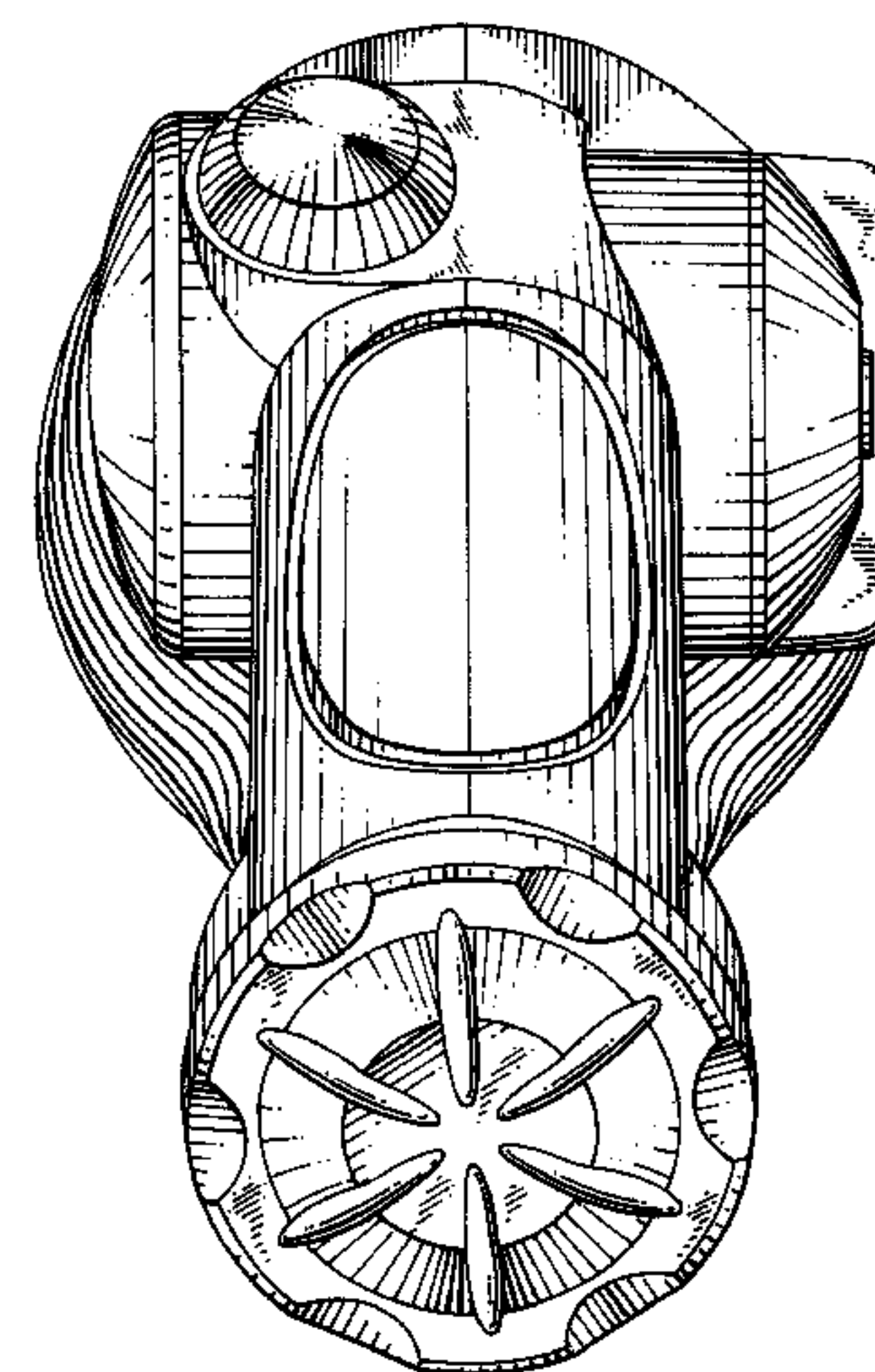
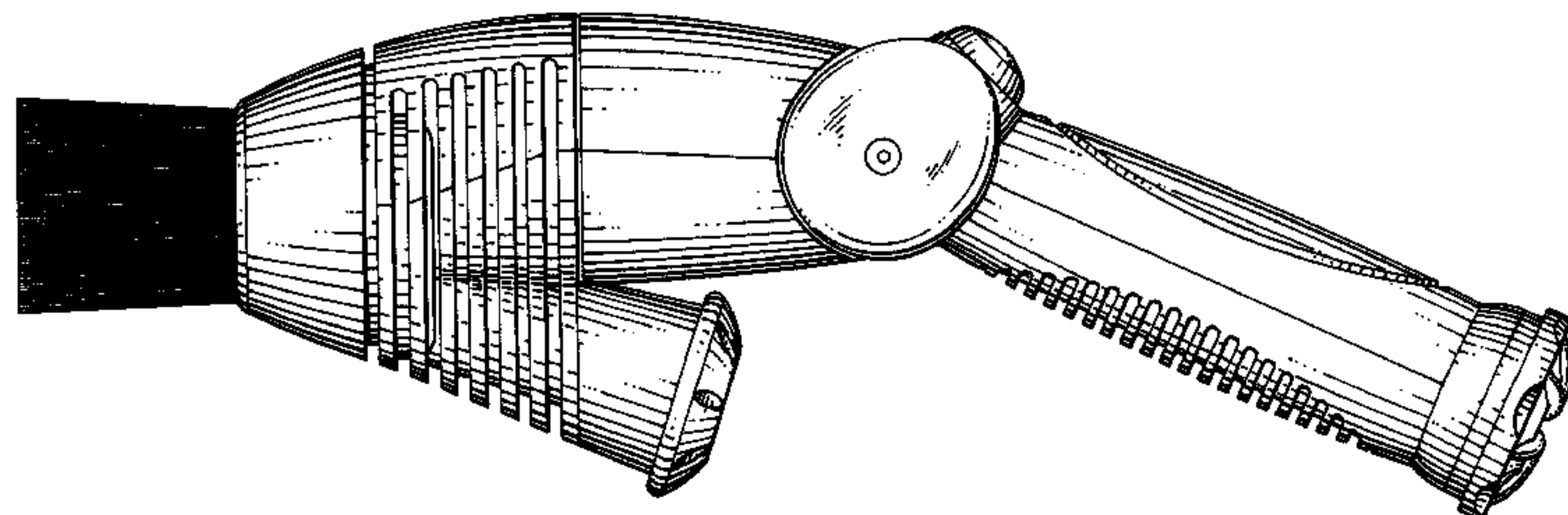
(57) **CLAIM**

The ornamental design for a cleaning and polishing household appliance, as shown and described.

**DESCRIPTION**

FIG. 1 is a right-side elevational view of the cleaning and polishing household appliance showing our new design; FIG. 2 is a left-side elevational view thereof; FIG. 3 is an enlarged a rear elevational view thereof; FIG. 4 is a top plan view thereof; and, FIG. 5 is a bottom plan view thereof.

**1 Claim, 5 Drawing Sheets**



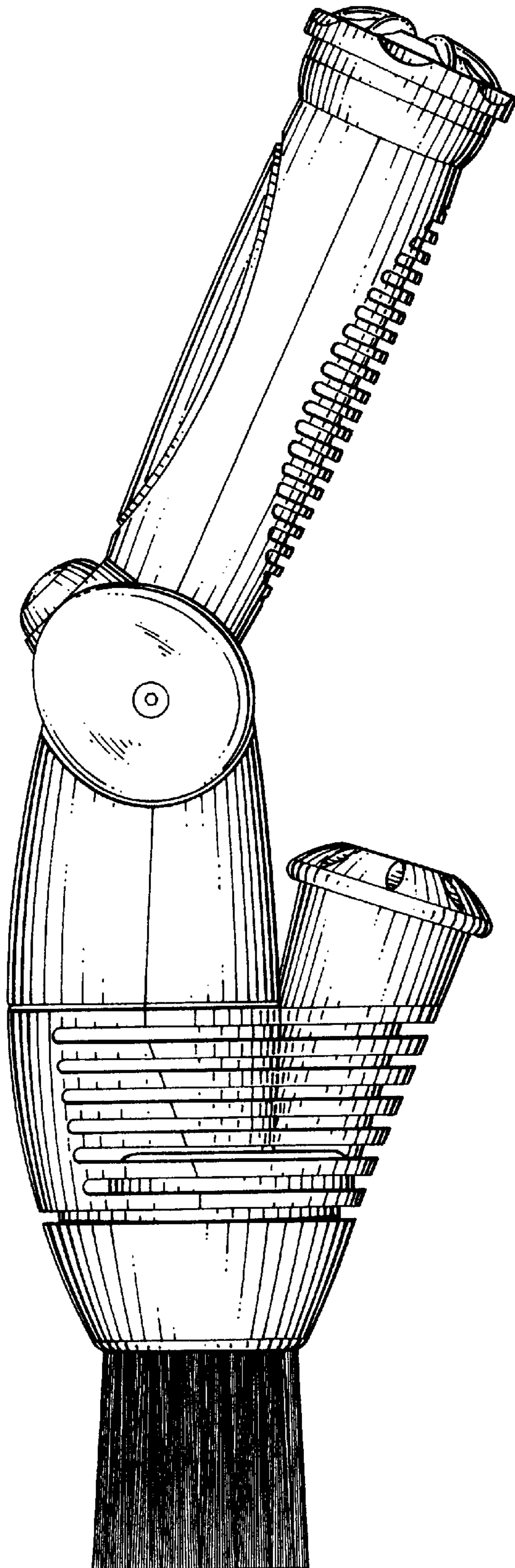


Fig. 1

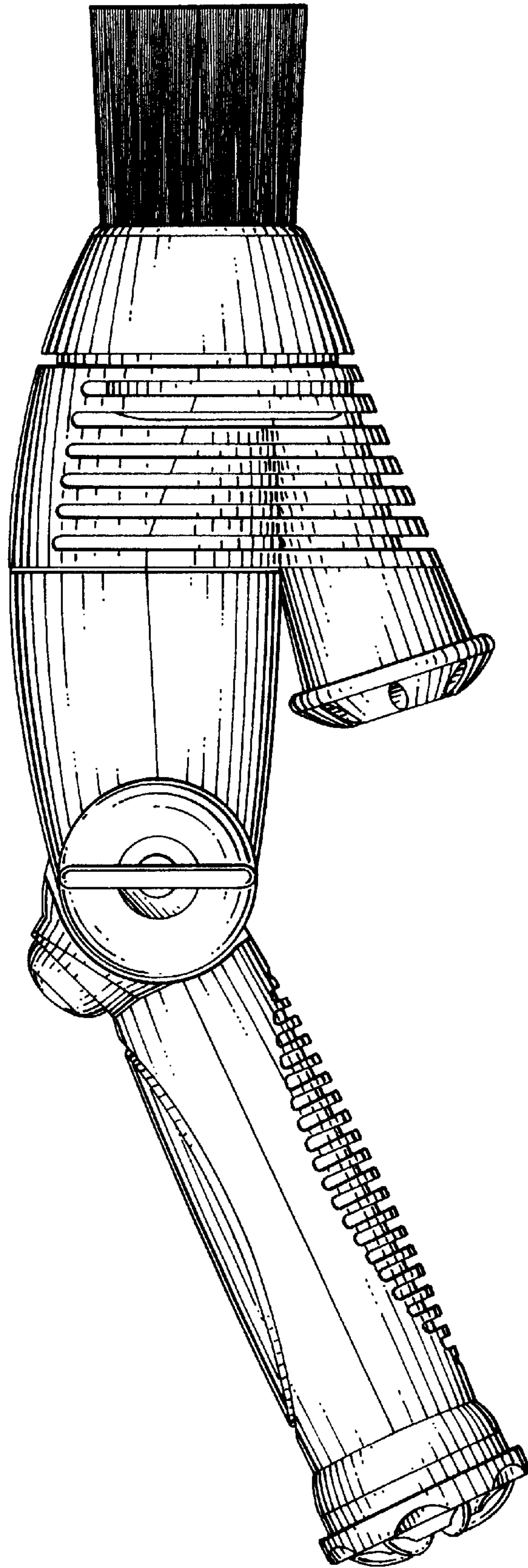


FIG. 2



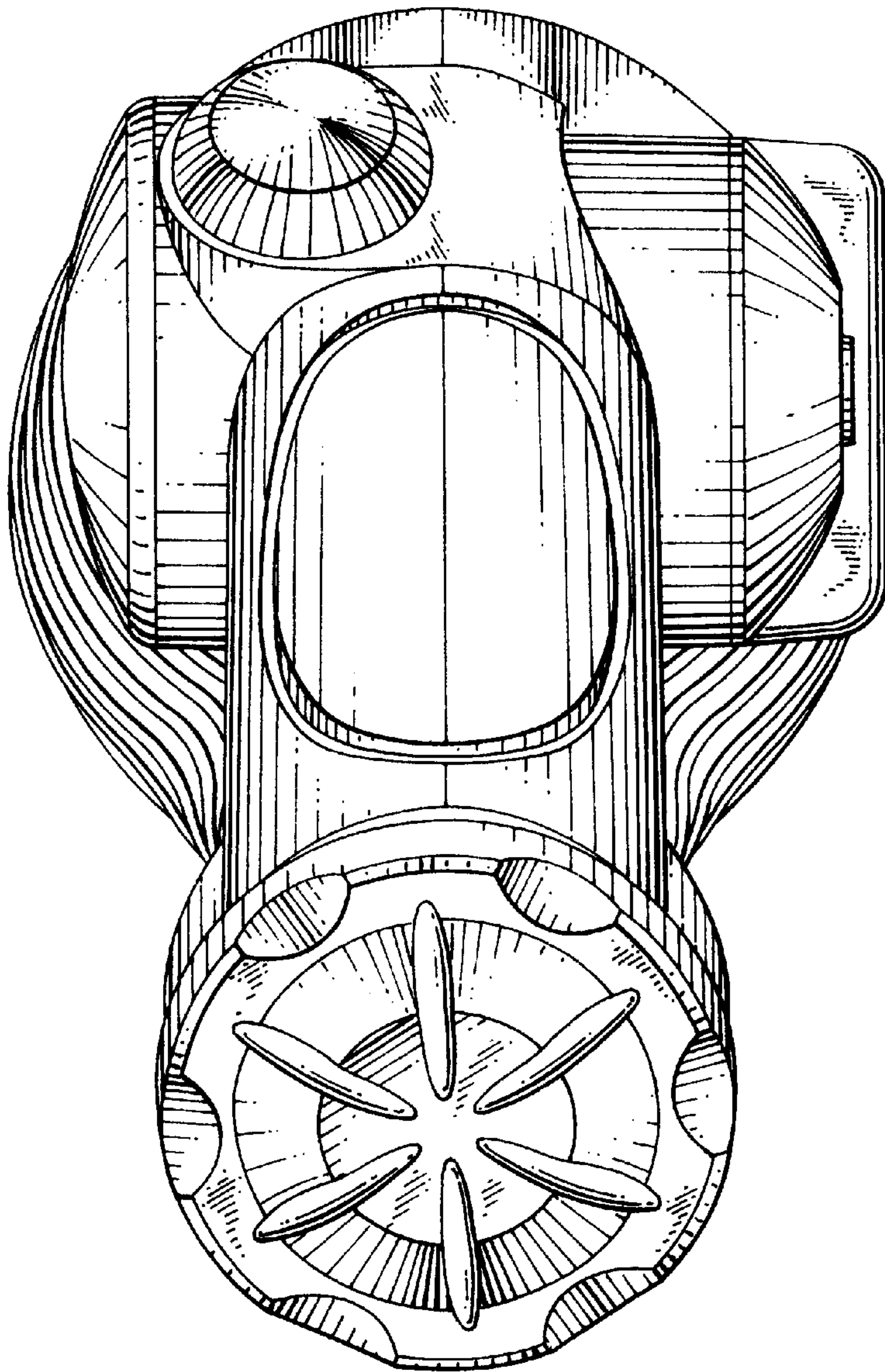


Fig 3

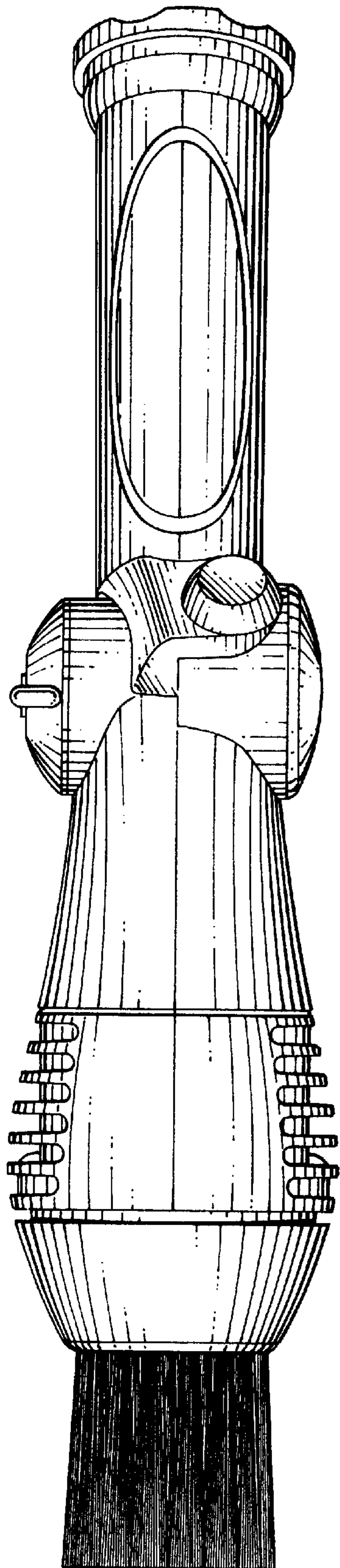


FIG. 4

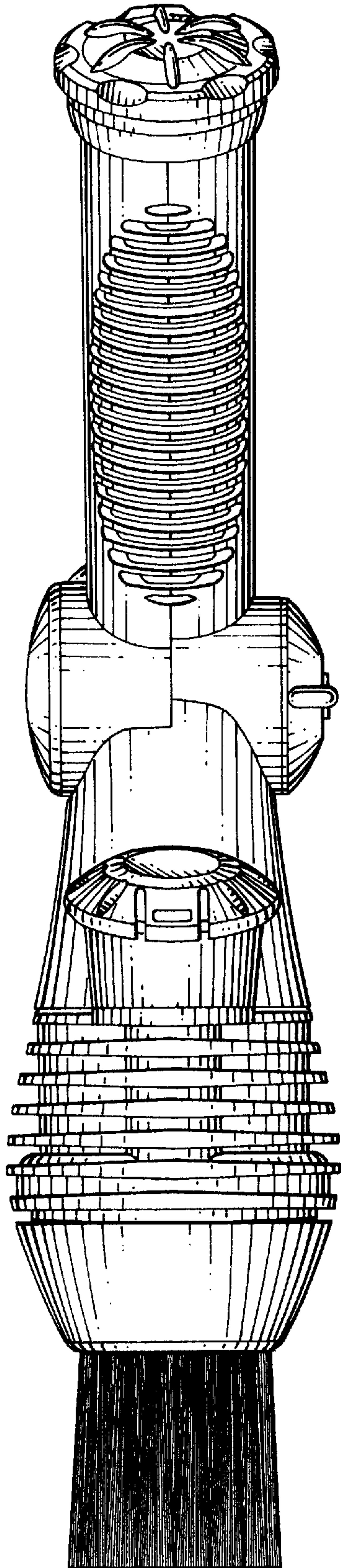


Fig. 5