



US00D539036S

(12) **United States Design Patent**
Potts et al.

(10) **Patent No.:** **US D539,036 S**
(45) **Date of Patent:** **** Mar. 27, 2007**

(54) **MULTI-POSITIONABLE CADDY AND ORGANIZER SYSTEM**

(76) Inventors: **Kenneth Lee Potts**, 462 Santa Cecelia, Solana Beach, CA (US) 82075-1505;
Debra Lee Potts, 462 Santa Cacelia, Solana Beach, CA (US) 92075-1505

(**) Term: **14 Years**

(21) Appl. No.: **29/210,019**

(22) Filed: **Jul. 26, 2004**

(51) **LOC (8) Cl.** **03-01**

(52) **U.S. Cl.** **D3/311; D3/310; D12/425**

(58) **Field of Classification Search** **D3/310-312, D3/309, 305, 315, 319, 313; D12/425, 426, D12/415, 423; D34/1; D9/432; 224/539, 224/425**

See application file for complete search history.

(56) **References Cited**

U.S. PATENT DOCUMENTS

3,986,656	A	*	10/1976	November	229/120.35
D270,222	S	*	8/1983	Parmley	D7/705
5,031,769	A		7/1991	Shea et al.		
D326,341	S	*	5/1992	Frauhiger	D34/1
D348,346	S	*	6/1994	Yoshikawa	D3/310
D425,128	S	*	5/2000	Conley et al.	D19/90
6,149,040	A	*	11/2000	Walker	224/539
6,206,224	B1	*	3/2001	Potts et al.	220/495.06
D450,291	S	*	11/2001	Wang	D12/426
6,328,146	B1		12/2001	Siwak		
D466,074	S	*	11/2002	Hoy	D12/426
D485,227	S	*	1/2004	Graham	D12/426
D486,121	S	*	2/2004	Bergh et al.	D12/425
D525,760	S	*	7/2006	Kissell	D34/38
2005/0284906	A1	*	12/2005	Potts et al.	224/539

OTHER PUBLICATIONS

http://www.caselogic.com/folding_cargo_bag_trunk_organizer/product_detail/index.cfm?modelid=42840.
Case Logic, Inc., Webpage for "Folding Cargo Bag" (2 pages).

Case Logic, Inc., Webpage for "Trunk Organizer—Black" (2 pages).

* cited by examiner

Primary Examiner—Louis S. Zarfes

Assistant Examiner—Eric L. Goodman

(74) *Attorney, Agent, or Firm*—The Maxham Firm

(57) **CLAIM**

The ornamental design for a multi-positionable caddy and organizer system, as shown and described.

DESCRIPTION

FIG. 1 is a perspective view of one embodiment according to the invention;

FIG. 2 is a perspective view of an alternate position according to the invention;

FIG. 3 is a side view of the embodiment shown in FIGS. 1 and 2;

FIG. 4 is a bottom view of the embodiment shown in FIGS. 1 and 2;

FIG. 5 is a perspective view of an alternate position according to the invention;

FIG. 6 is a perspective view of an alternate position according to the invention;

FIG. 7 is a side view of the embodiment shown in FIGS. 5 and 6;

FIG. 8 is a perspective view of an alternate position according to the invention;

FIG. 9 is a perspective view of an alternate position according to the invention;

FIG. 10 is a side view of the embodiment shown in FIGS. 8 and 9;

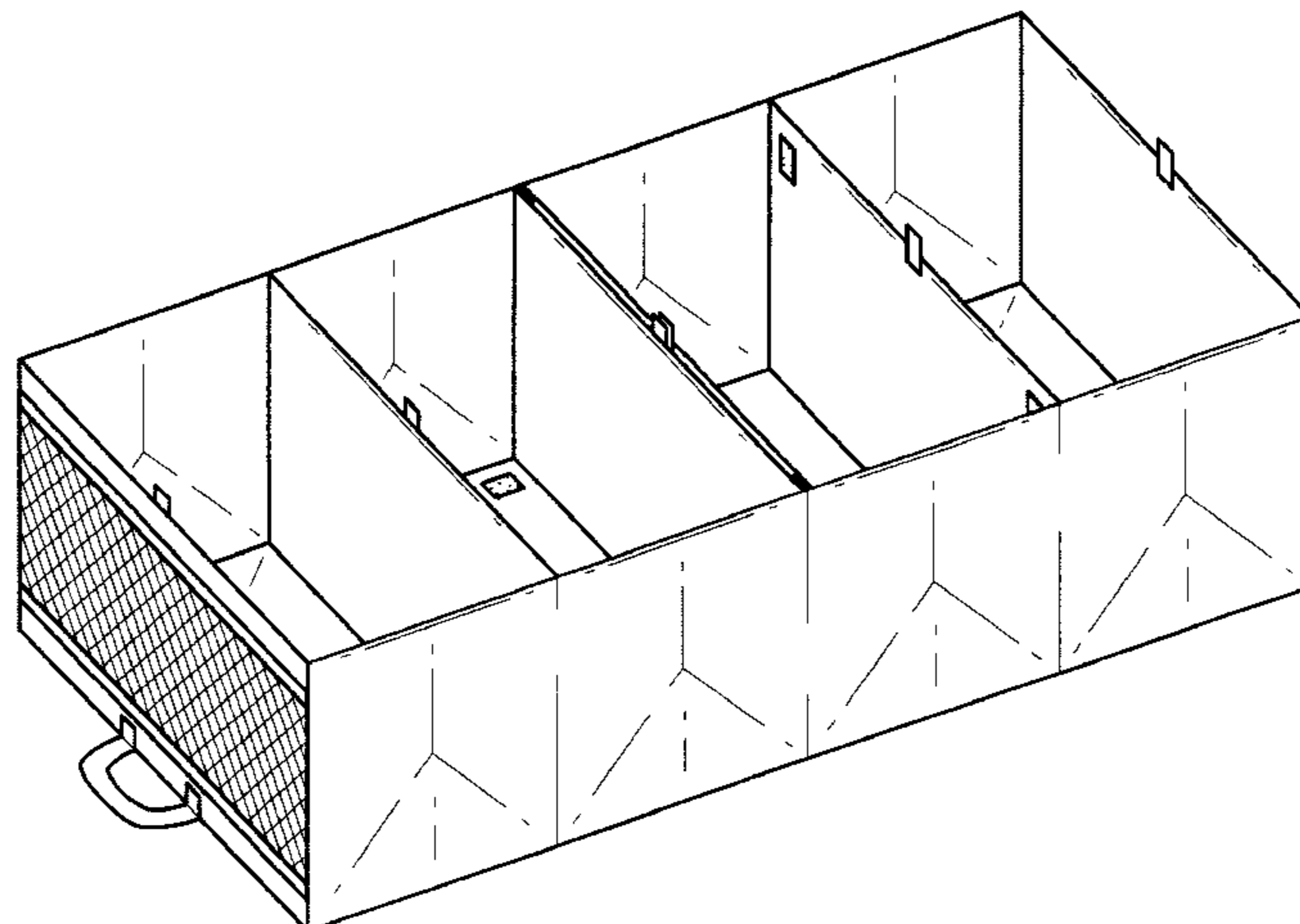
FIG. 11 is a bottom view of the embodiment shown in FIGS. 8 and 9;

FIG. 12 is a perspective view of an alternate position according to the invention;

FIG. 13 is a side view of the embodiment shown in FIG. 12; and,

FIG. 14 is a bottom view of the embodiment shown in FIG. 12.

1 Claim, 7 Drawing Sheets



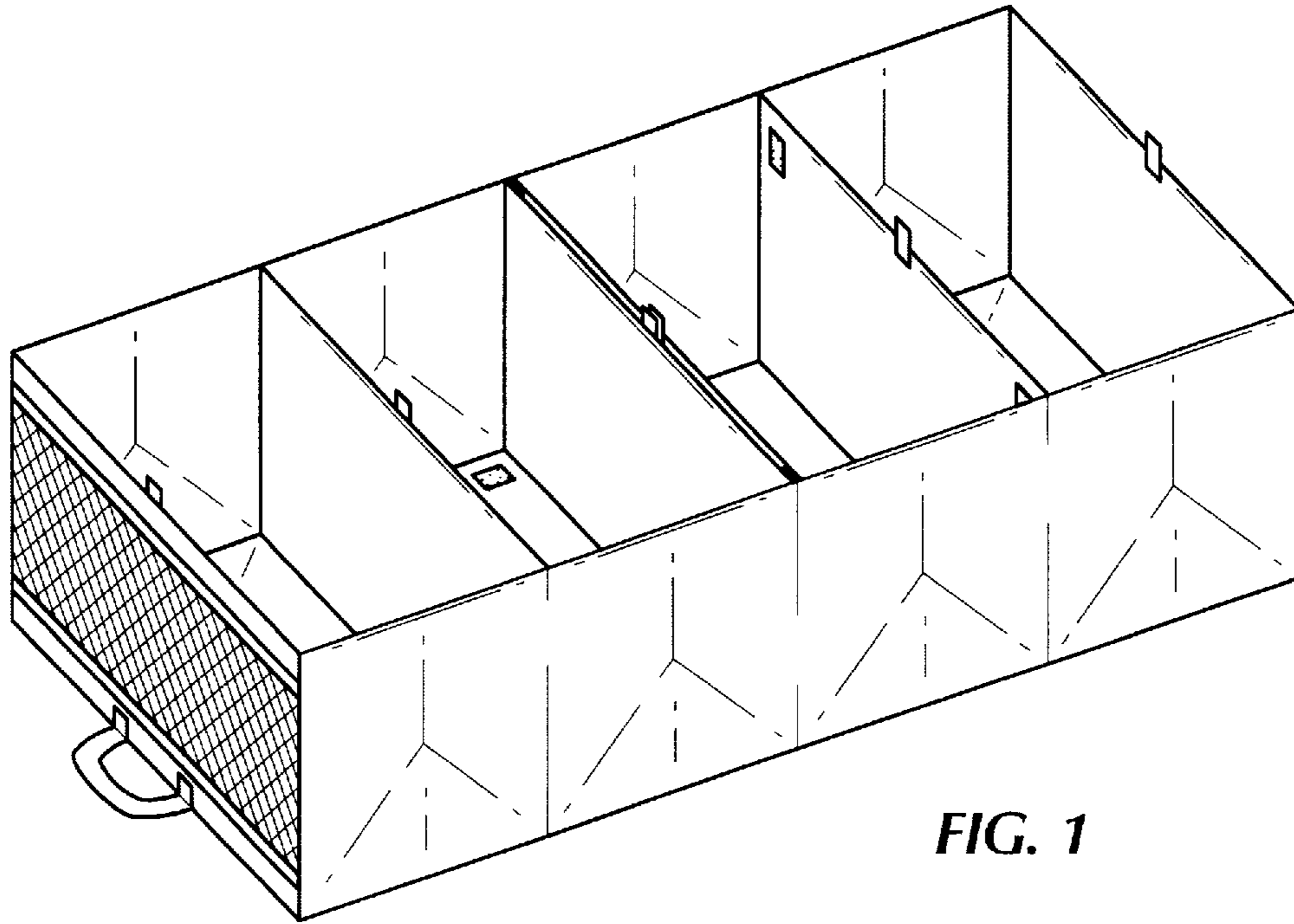


FIG. 1

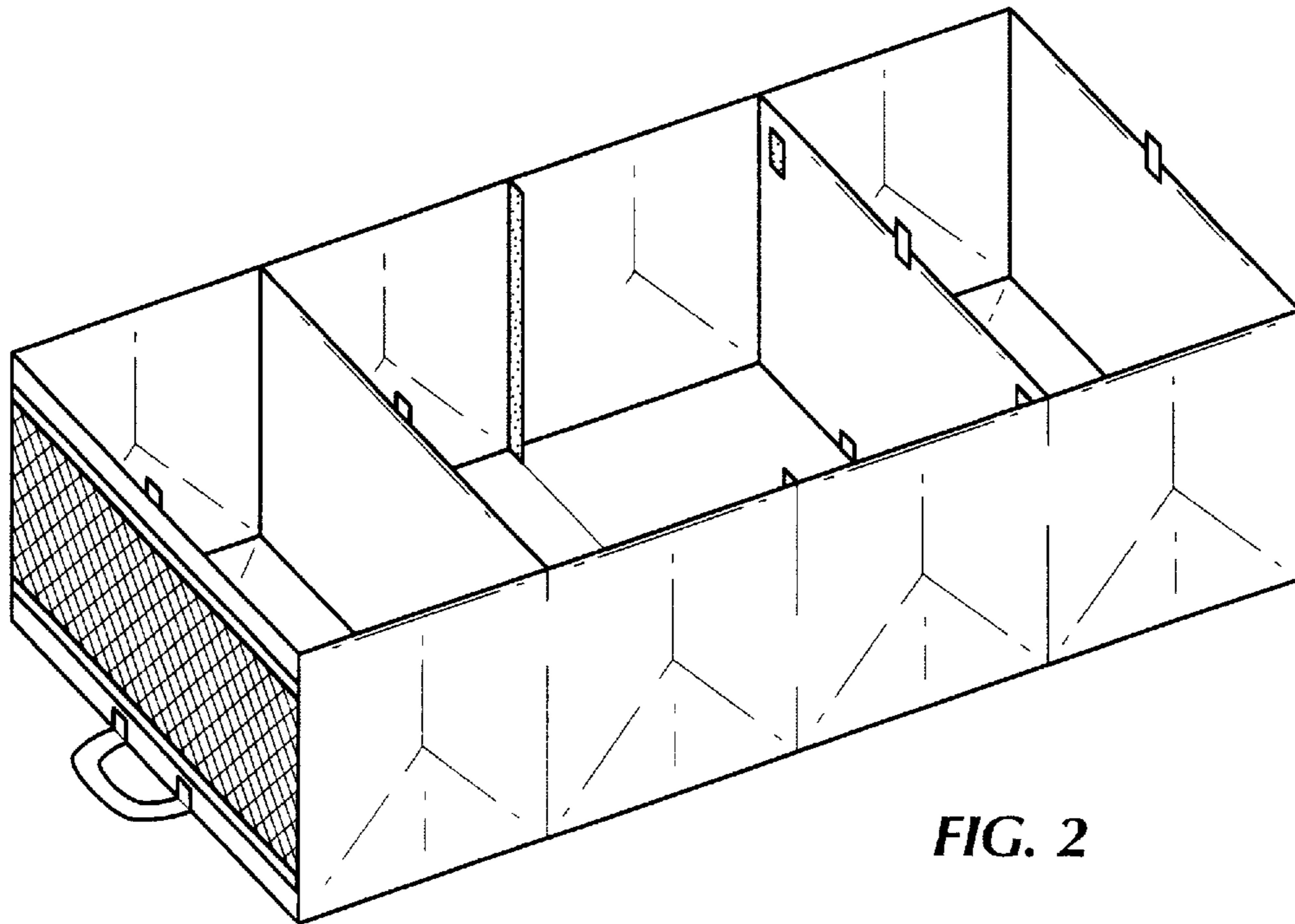


FIG. 2

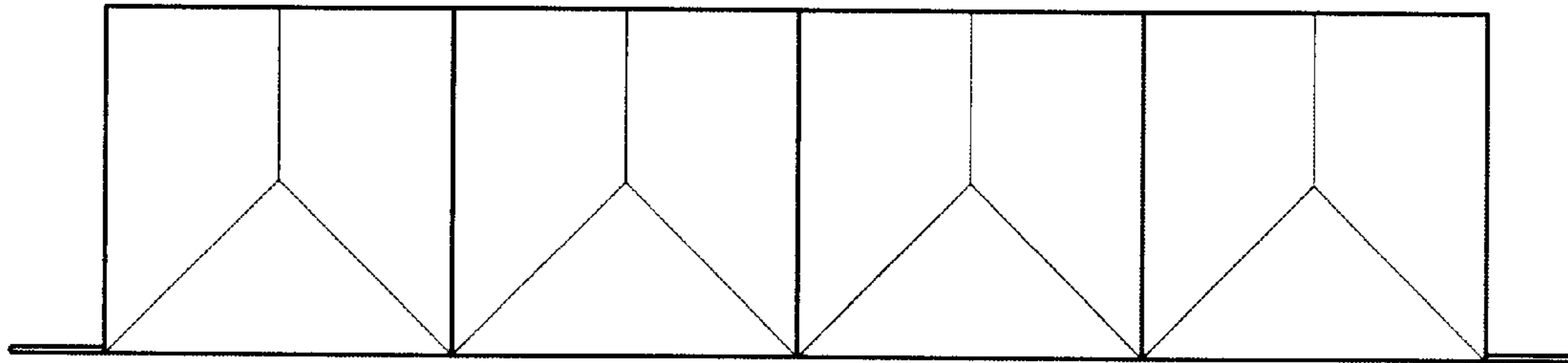


FIG. 3

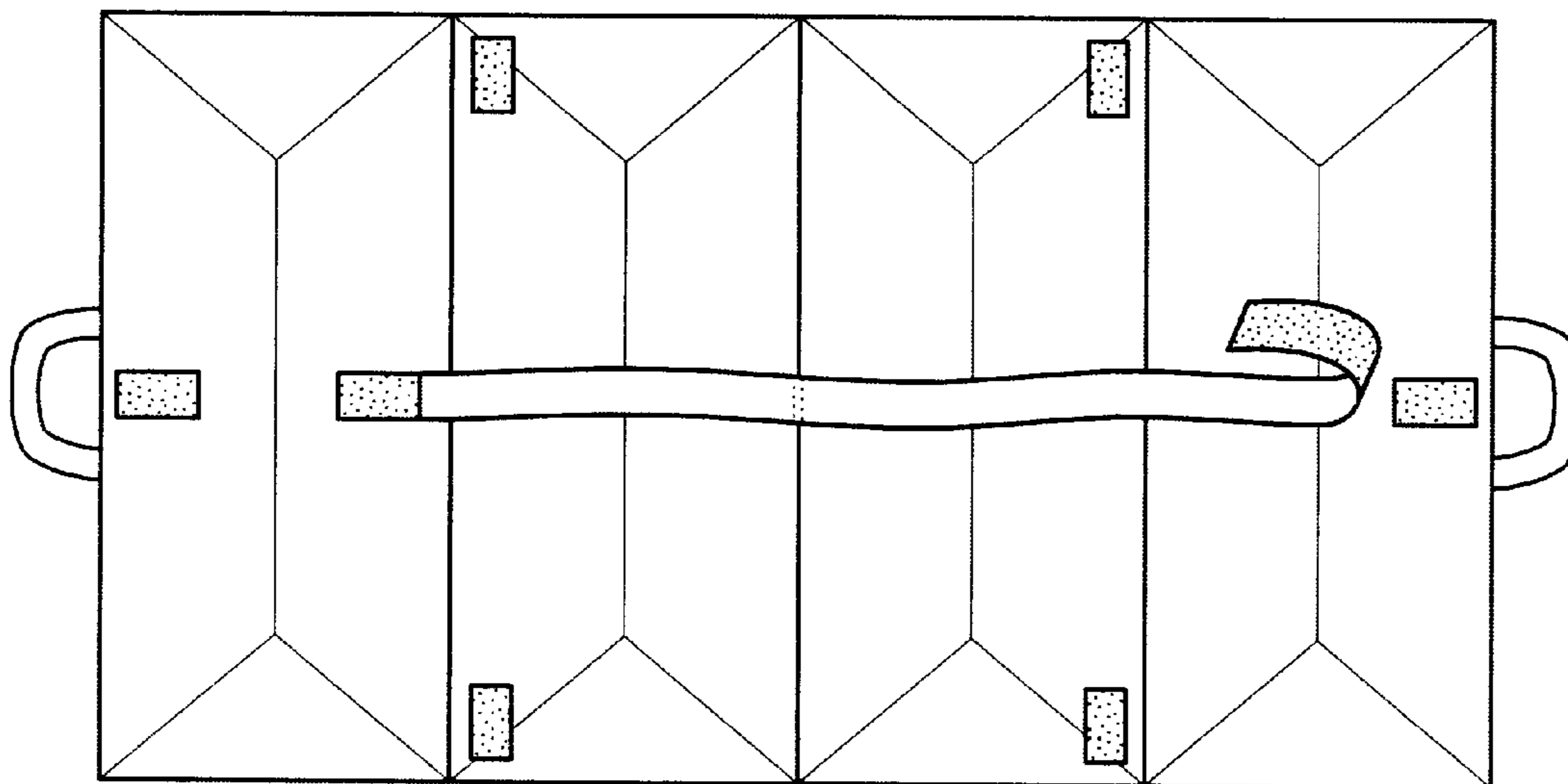


FIG. 4

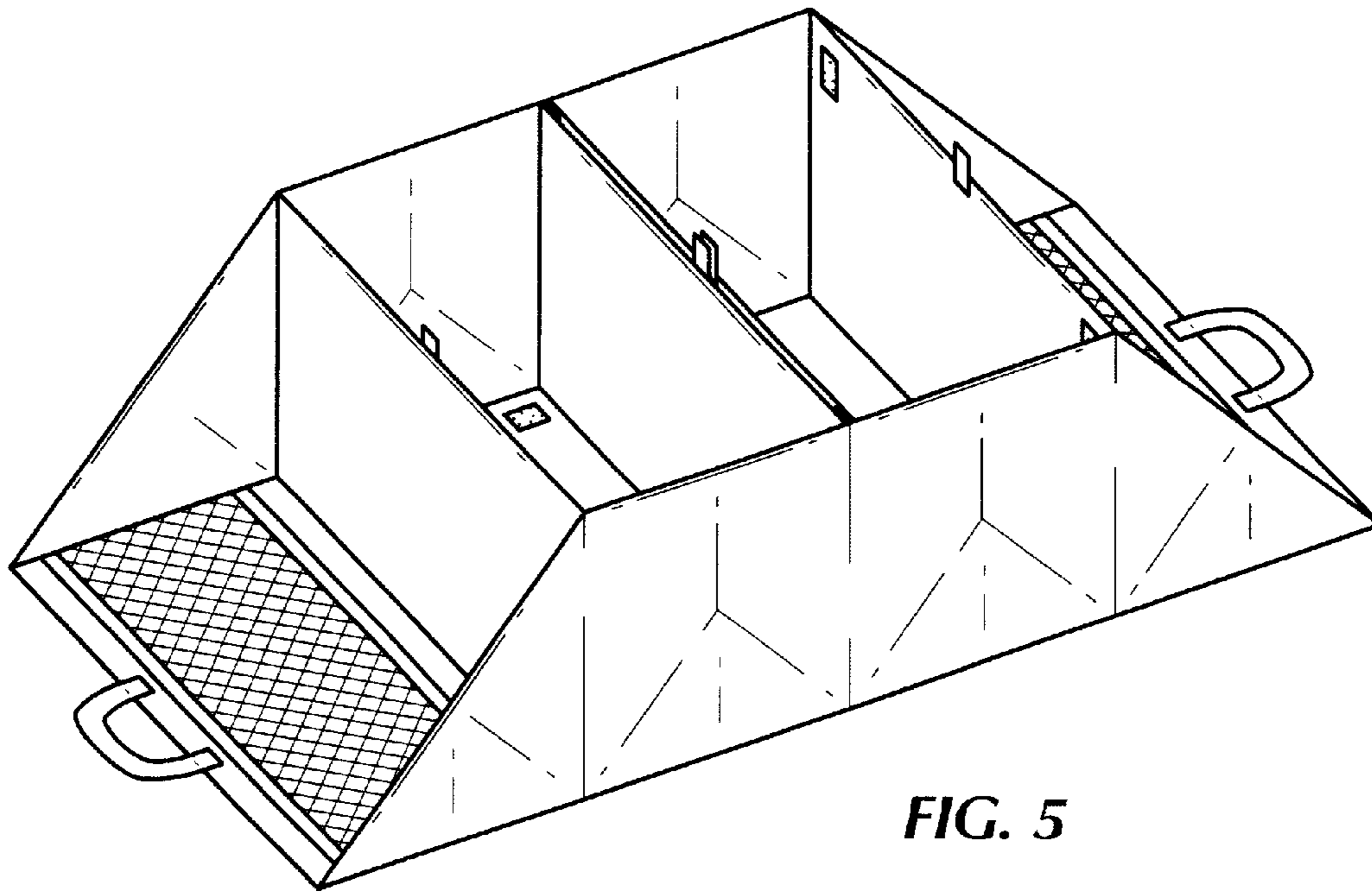


FIG. 5

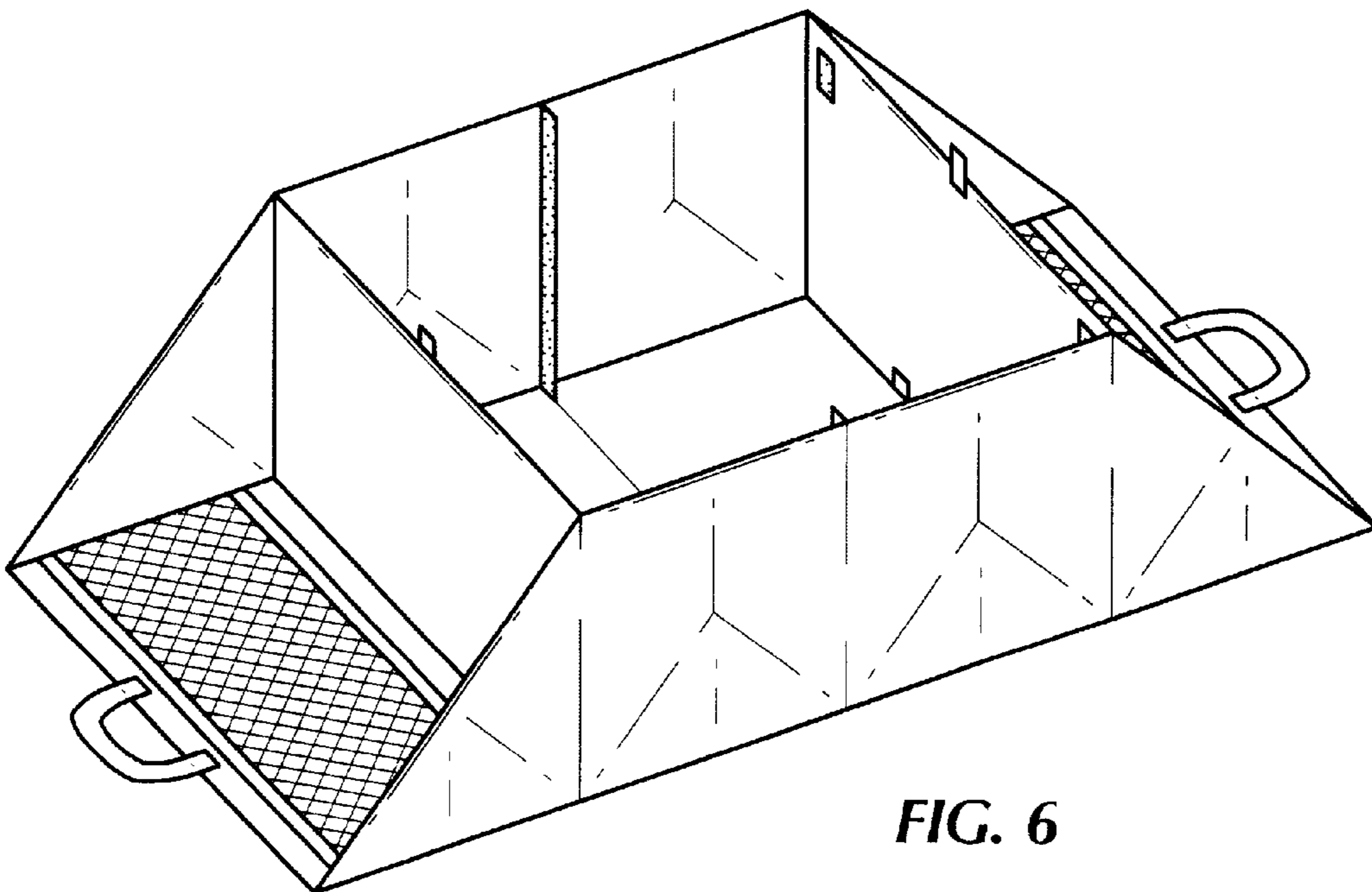


FIG. 6

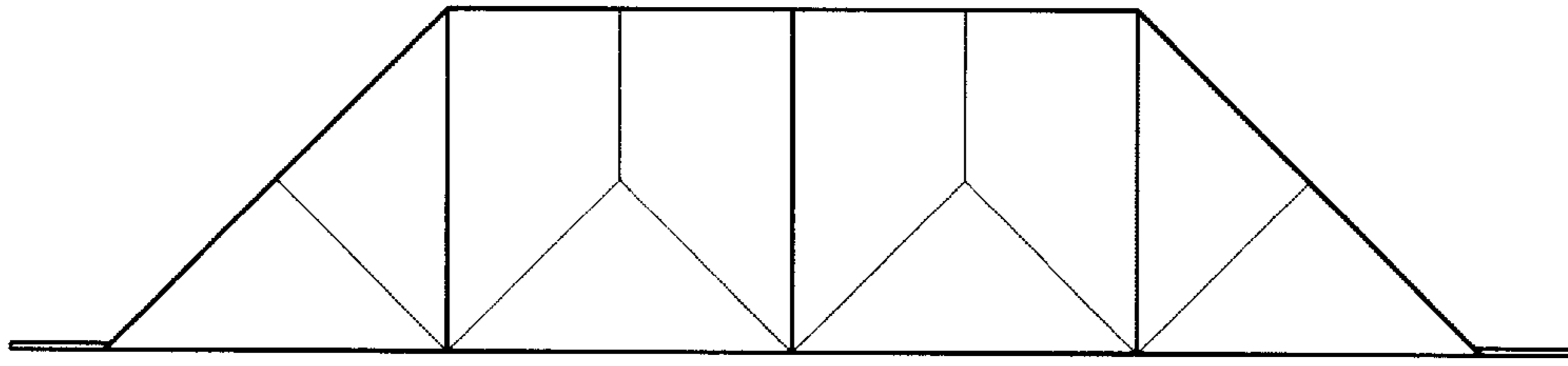


FIG. 7

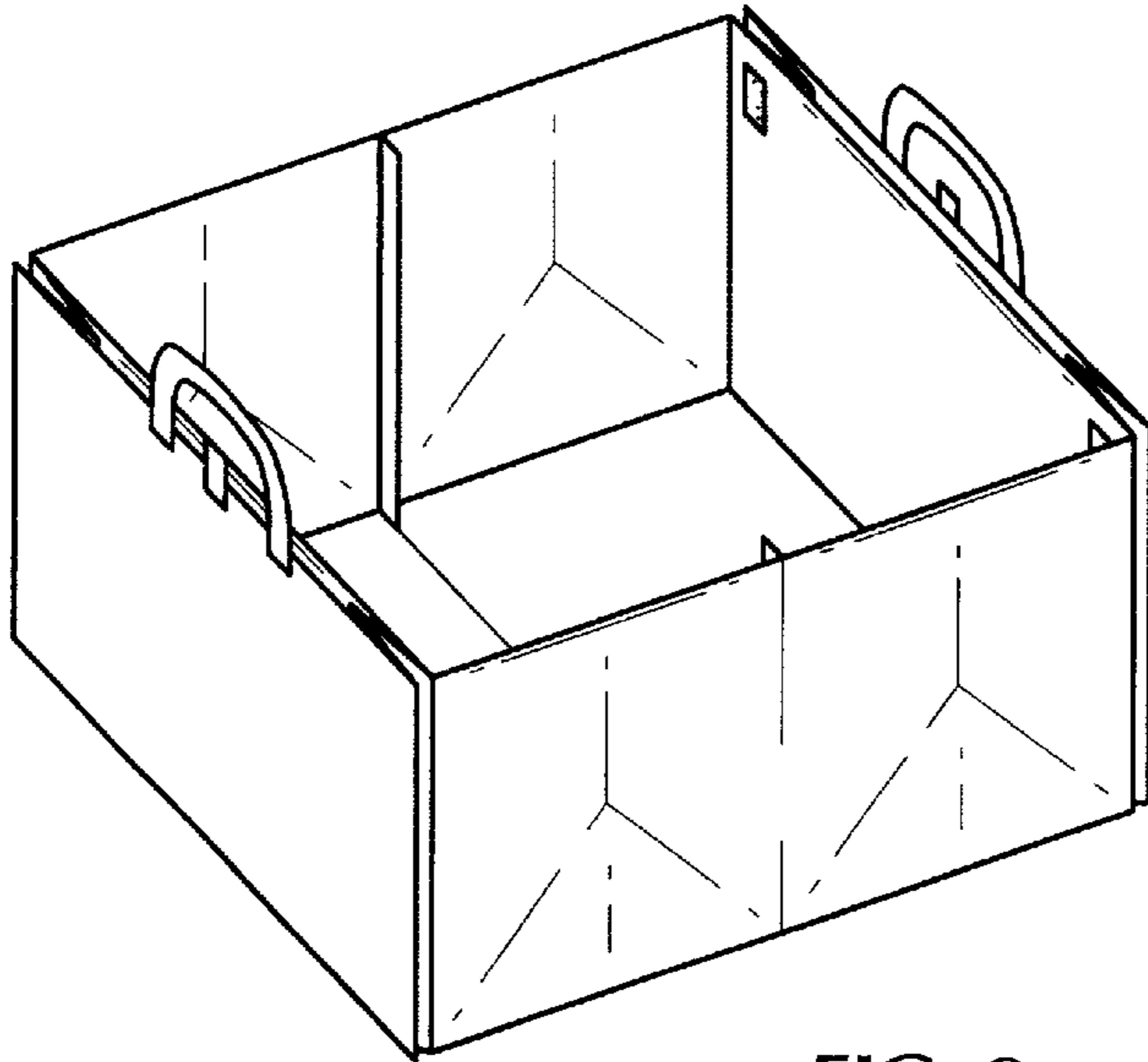


FIG. 8

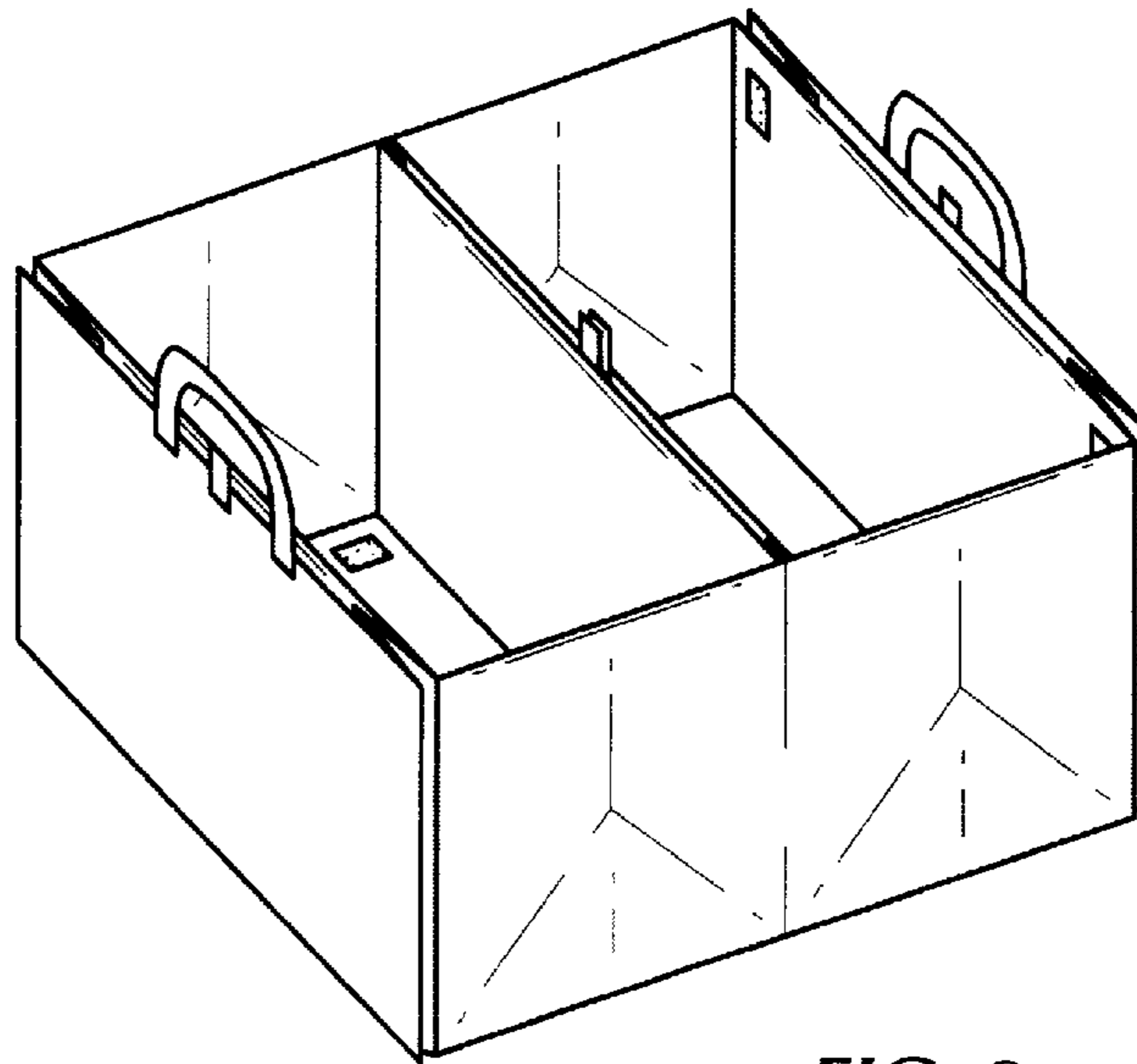


FIG. 9

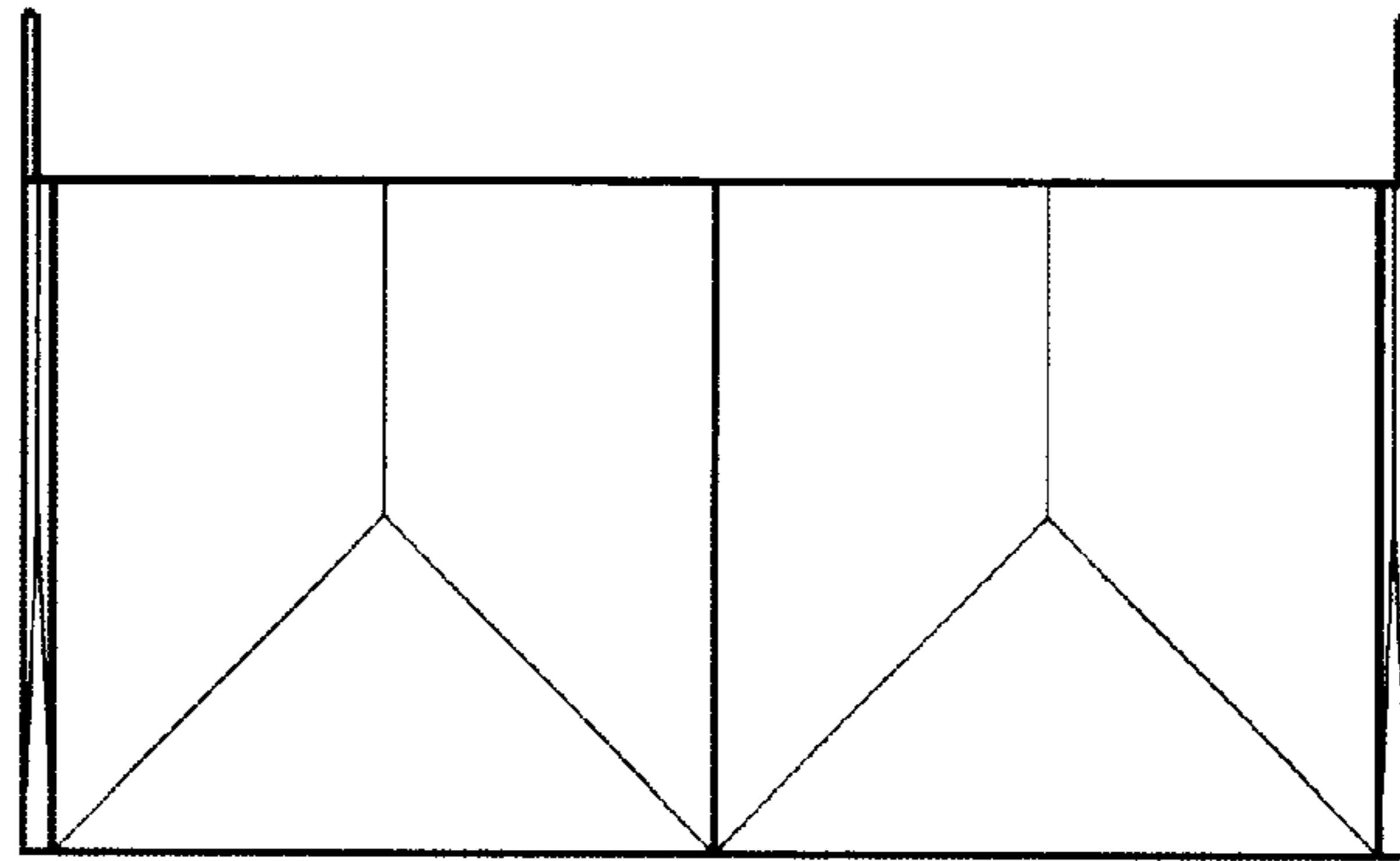


FIG. 10

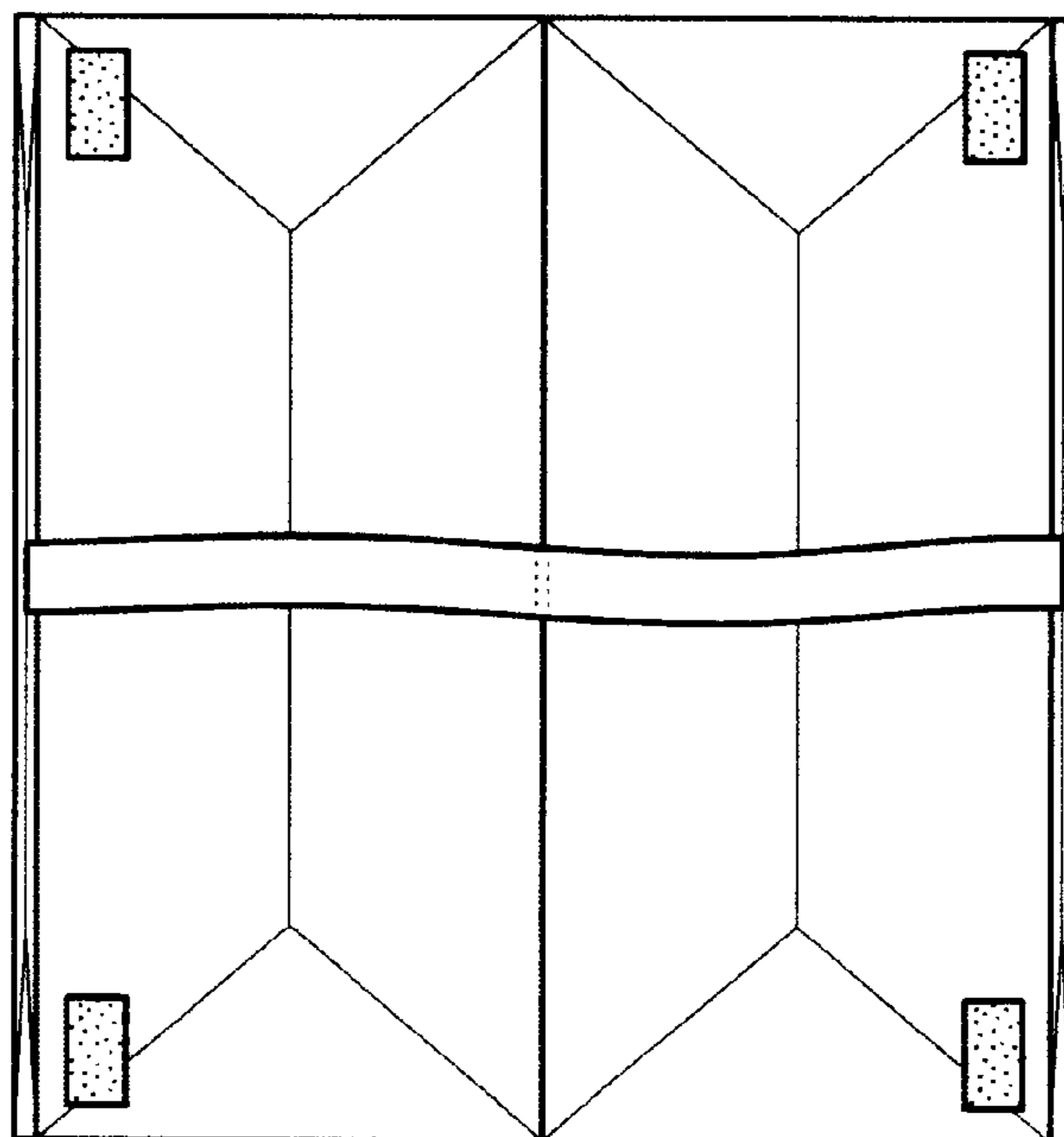


FIG. 11

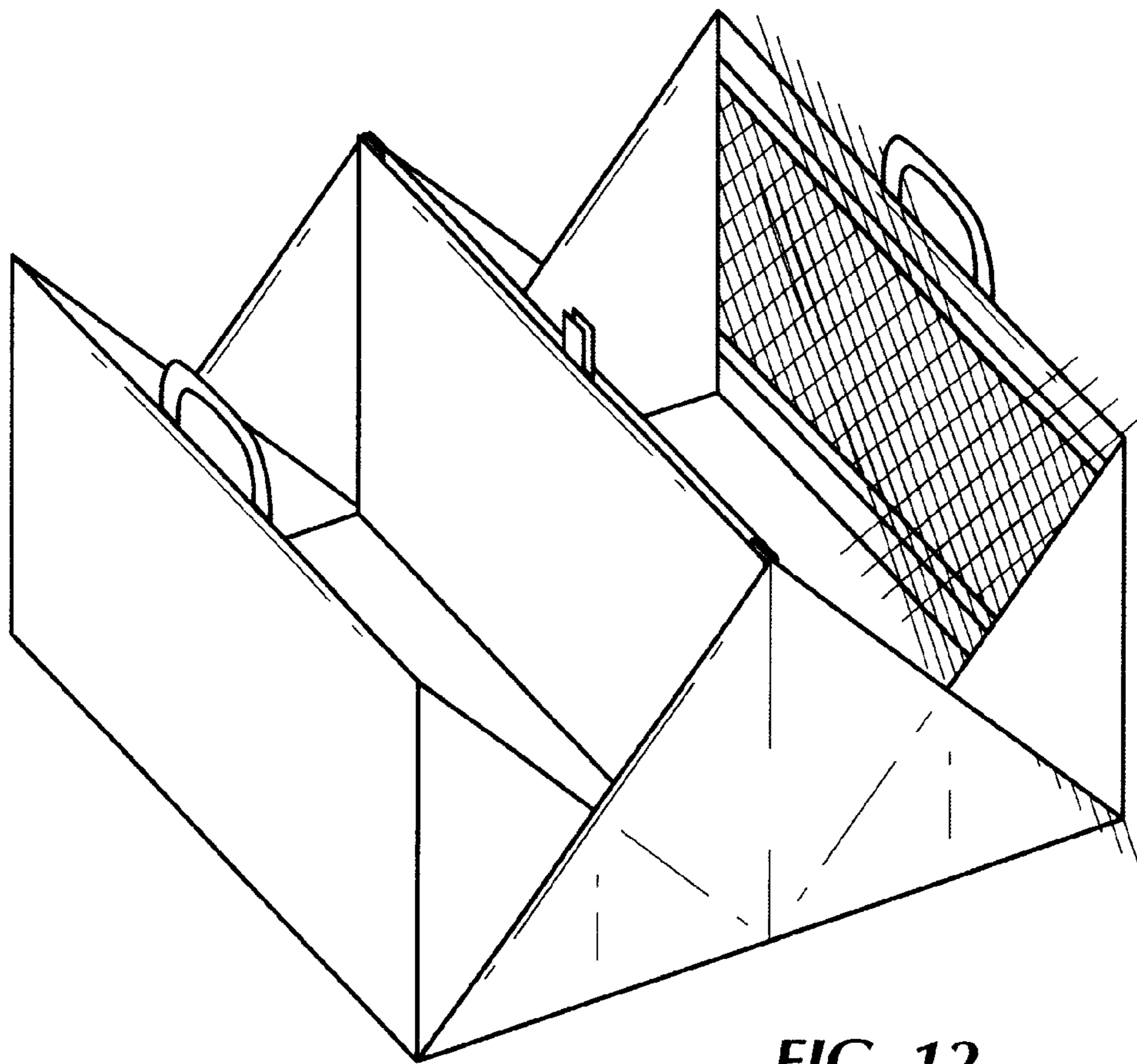


FIG. 12

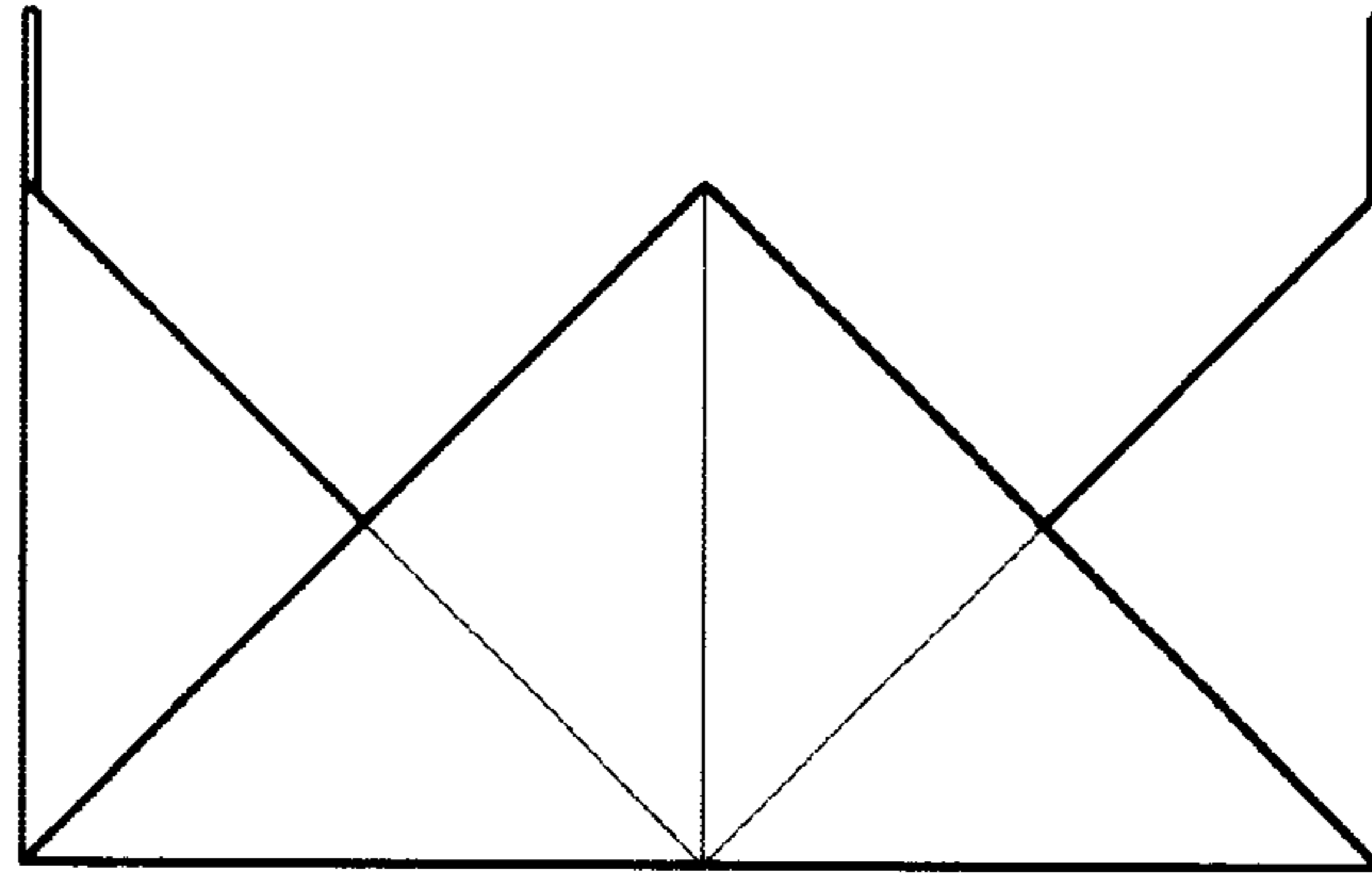


FIG. 13

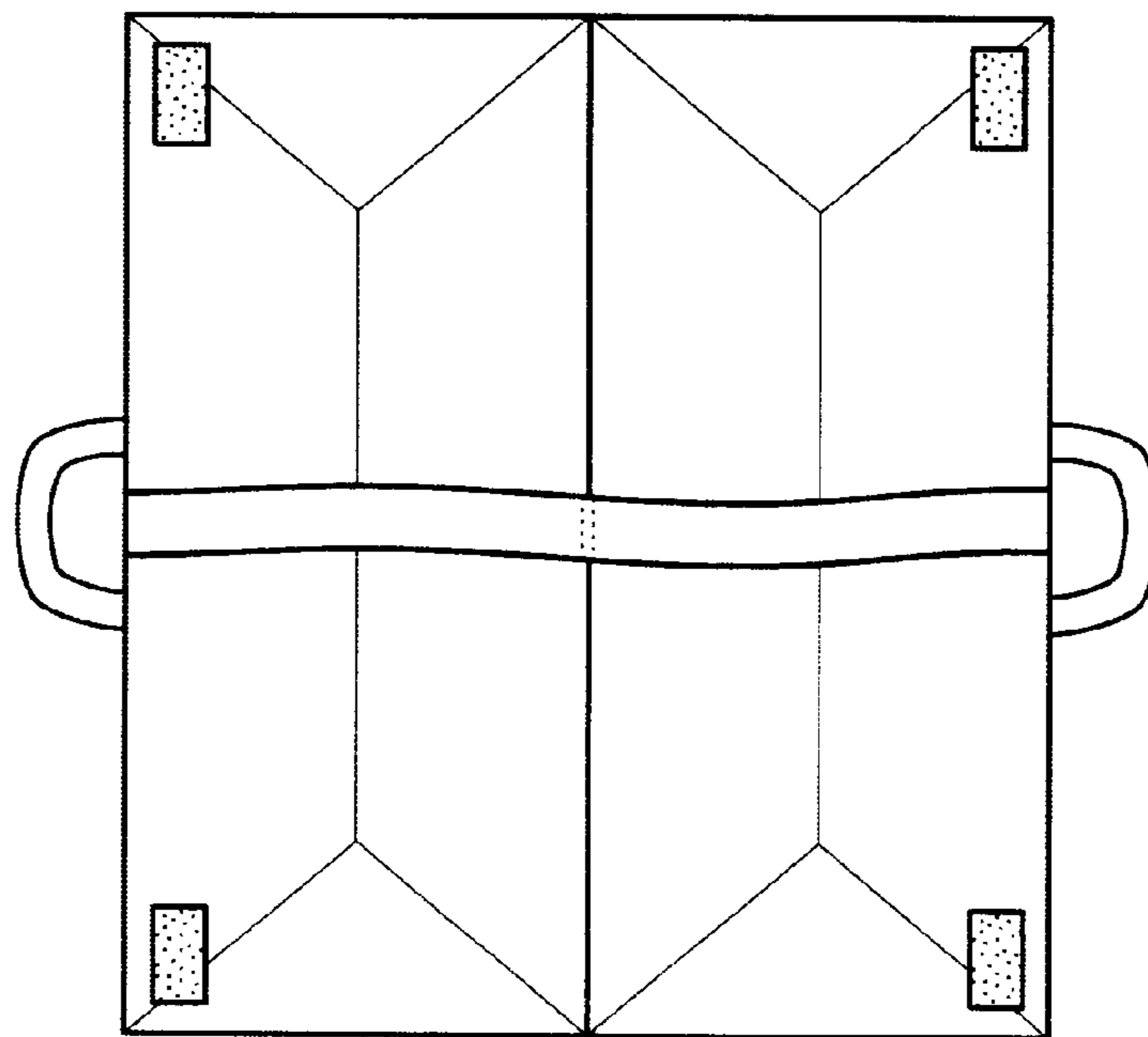


FIG. 14