



US00D539035S

(12) **United States Design Patent**  
**Chen**

(10) **Patent No.:** **US D539,035 S**

(45) **Date of Patent:** **\*\* Mar. 27, 2007**

(54) **TOOL BOX**

(76) **Inventor:** **Chang-Ying Chen**, 235 Chung-Ho Box  
8-24, Taipei (TW)

(\*\*) **Term:** **14 Years**

(21) **Appl. No.:** **29/236,300**

(22) **Filed:** **Aug. 16, 2005**

(51) **LOC (8) Cl.** ..... **03-01**

(52) **U.S. Cl.** ..... **D3/281; D3/294; D3/905**

(58) **Field of Classification Search** ..... D3/260,  
D3/273-274, 276, 281, 294-295, 901, 904-905;  
206/349, 372-373, 376

See application file for complete search history.

(56) **References Cited**

**U.S. PATENT DOCUMENTS**

D336,366 S	*	6/1993	Slayton	.....	D3/282
D343,731 S	*	2/1994	Tsumita	.....	D3/282
D355,826 S	*	2/1995	Chow	.....	D3/315
D358,257 S	*	5/1995	Sidabras et al.	.....	D3/282
D367,557 S	*	3/1996	Chang	.....	D3/276
D382,115 S	*	8/1997	Chang	.....	D3/282
D390,357 S	*	2/1998	Rosen	.....	D3/282
D399,652 S	*	10/1998	Fang	.....	D3/282
D406,462 S	*	3/1999	Emery, III	.....	D3/276
D422,787 S	*	4/2000	Feng	.....	D3/273
D434,561 S	*	12/2000	Vasudeva	.....	D3/282
D436,441 S	*	1/2001	Lapidus	.....	D3/273
D446,650 S	*	8/2001	Chen	.....	D3/282

D446,935 S	*	8/2001	Huang	.....	D3/281
D458,840 S	*	6/2002	Lai	.....	D3/295
D459,223 S	*	6/2002	Lai	.....	D3/295
D466,296 S	*	12/2002	Hellenberg-Hubar	.....	D3/295
D468,531 S	*	1/2003	Hsu	.....	D3/282
D511,040 S	*	11/2005	Barrios et al.	.....	D3/282

\* cited by examiner

*Primary Examiner*—Philip S. Hyder

*Assistant Examiner*—RoseLynne (Ulm) Cody

(57) **CLAIM**

The ornamental design for a tool box, as shown and described.

**DESCRIPTION**

FIG. 1 is a perspective view of a tool box showing my new design;

FIG. 2 is a front elevational view thereof;

FIG. 3 is a rear elevational view thereof;

FIG. 4 is a left side view thereof;

FIG. 5 is a right side view thereof;

FIG. 6 is a bottom plan view thereof.

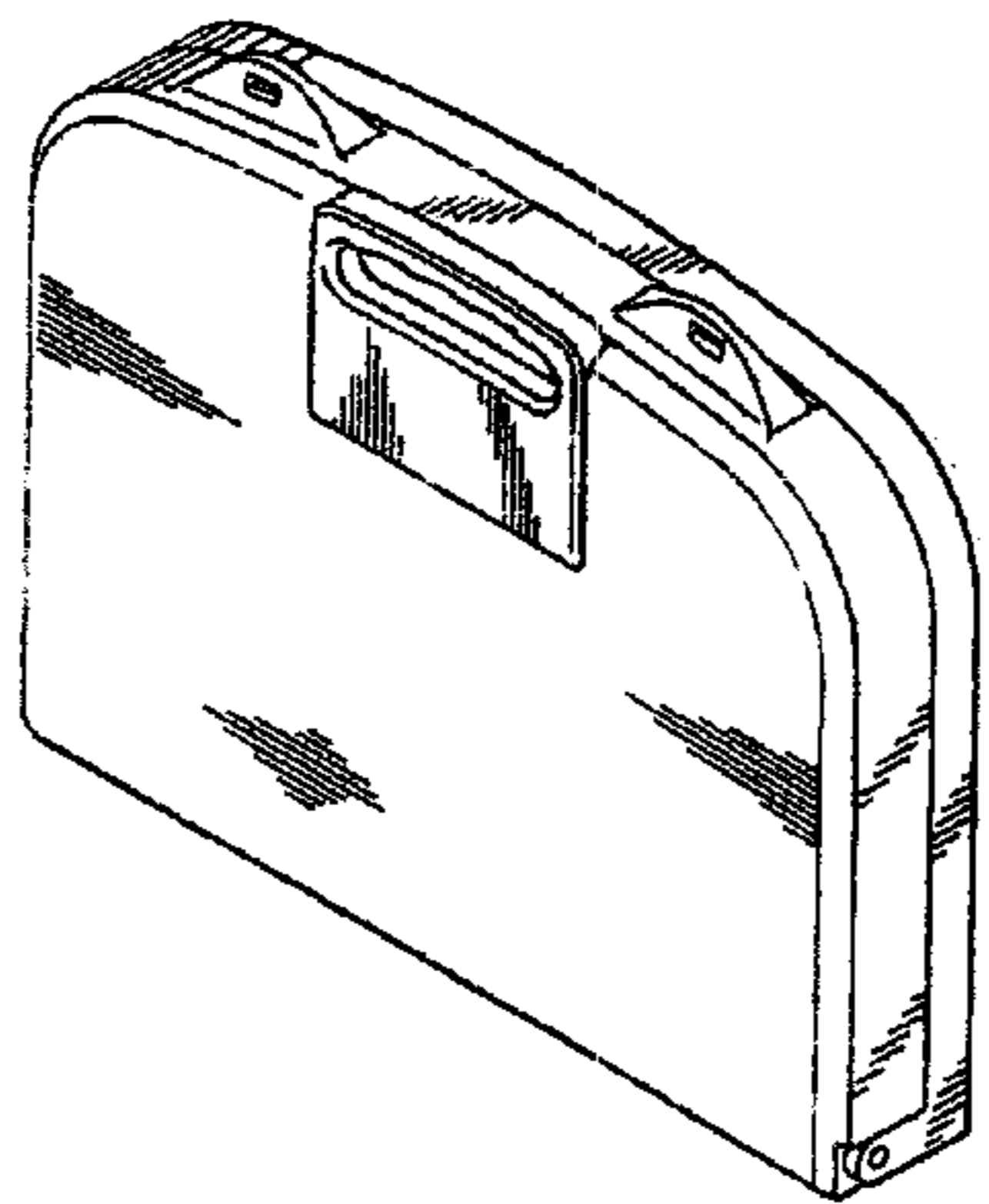
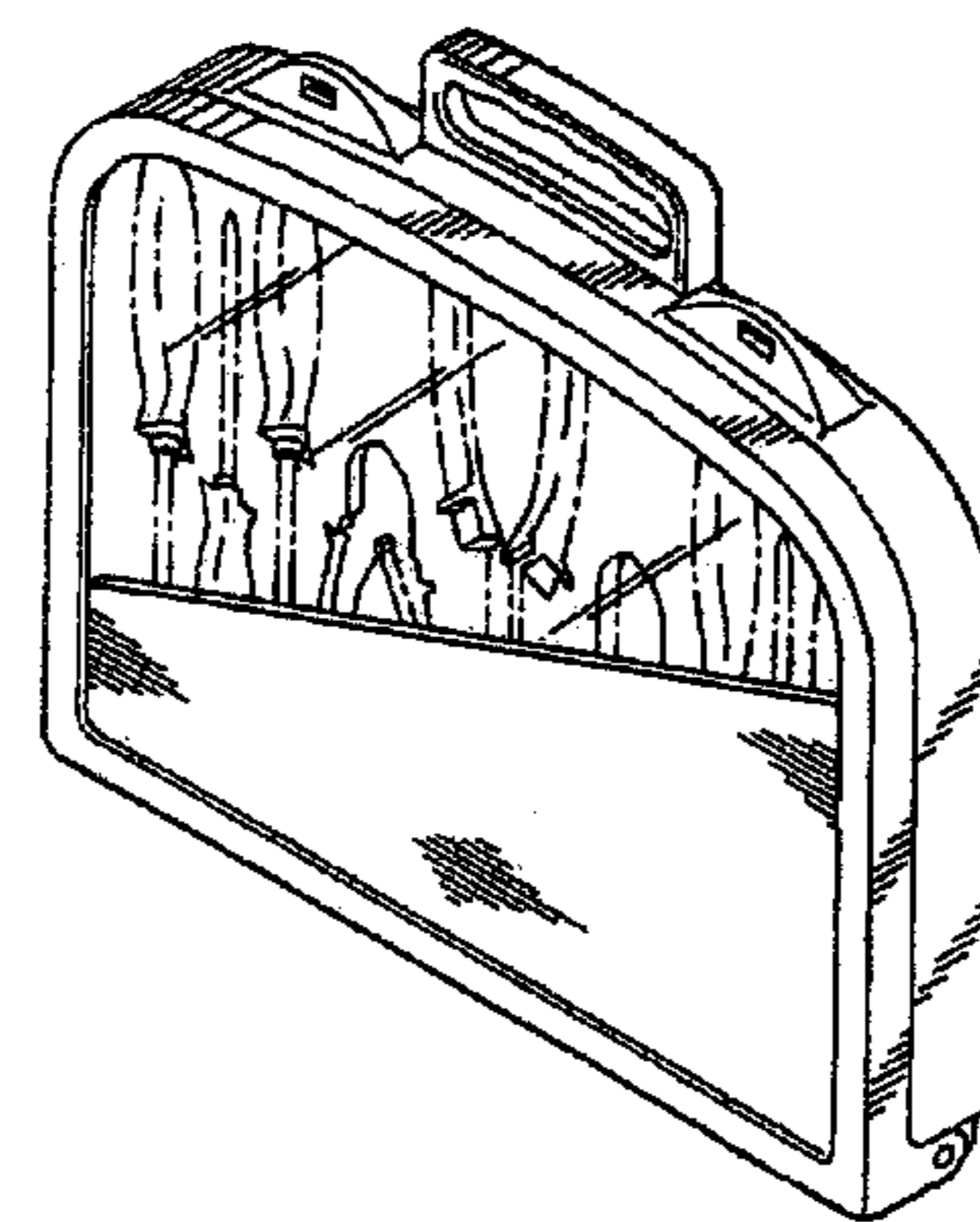
FIG. 7 is a top plan view thereof; and

FIG. 8 is a view of the tool box of FIG. 1 showing tools inside in broken line; and,

FIG. 9 is a perspective view of the back of the tool box showing the handle in recessed position.

The broken line showing in FIG. 8 is for illustrative purposes only and forms no part of the claimed design.

**1 Claim, 6 Drawing Sheets**



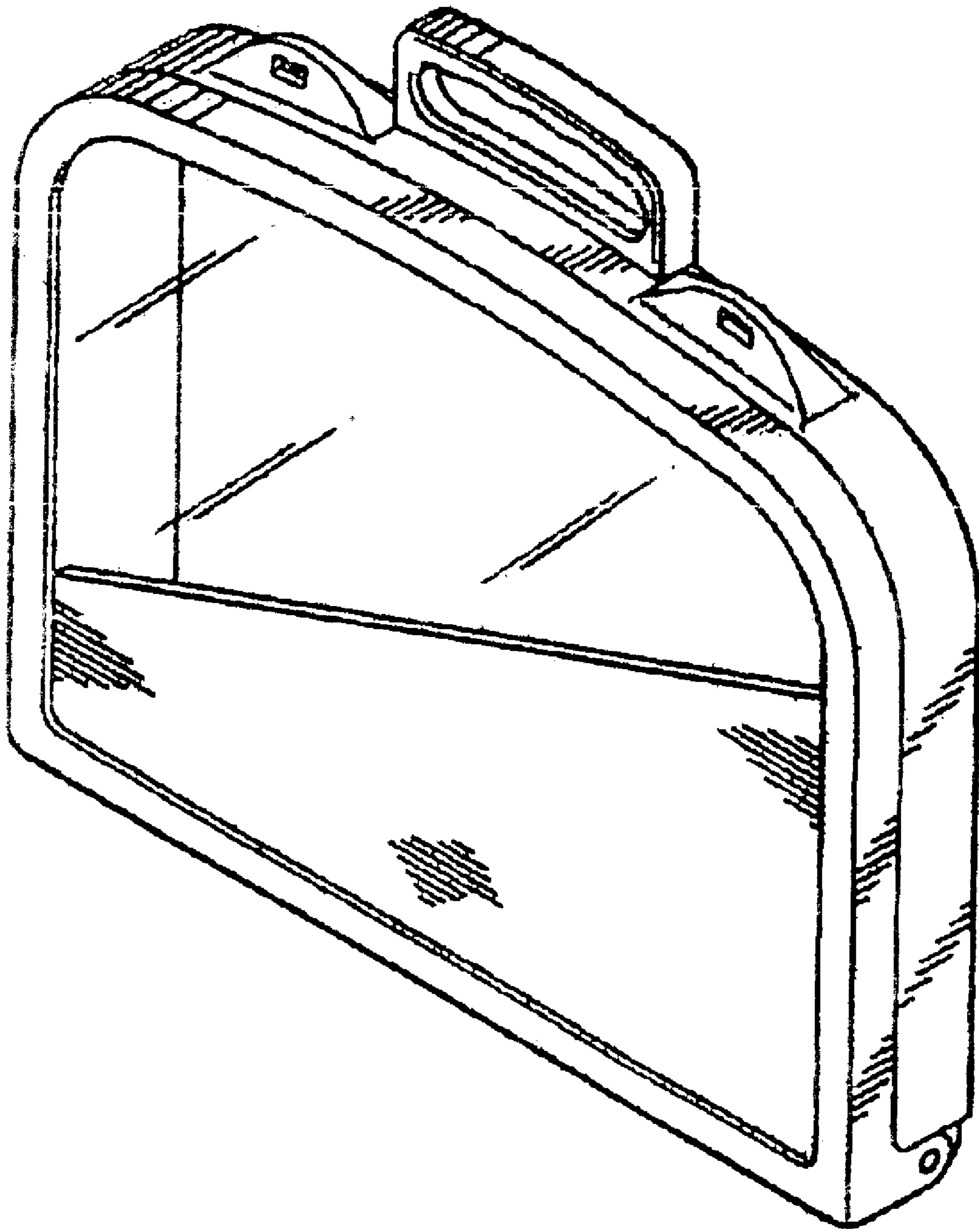


FIG. 1

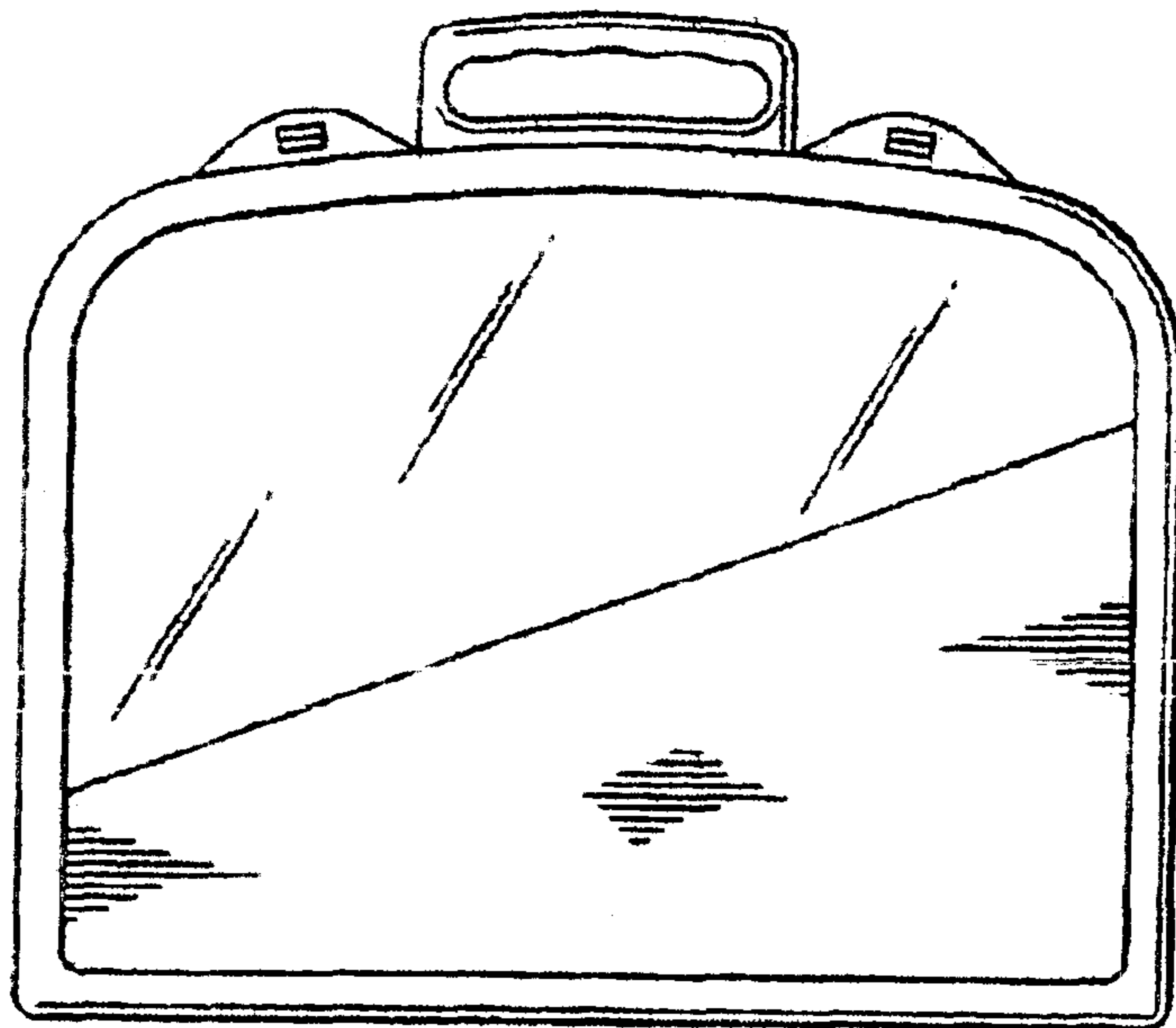


FIG. 2

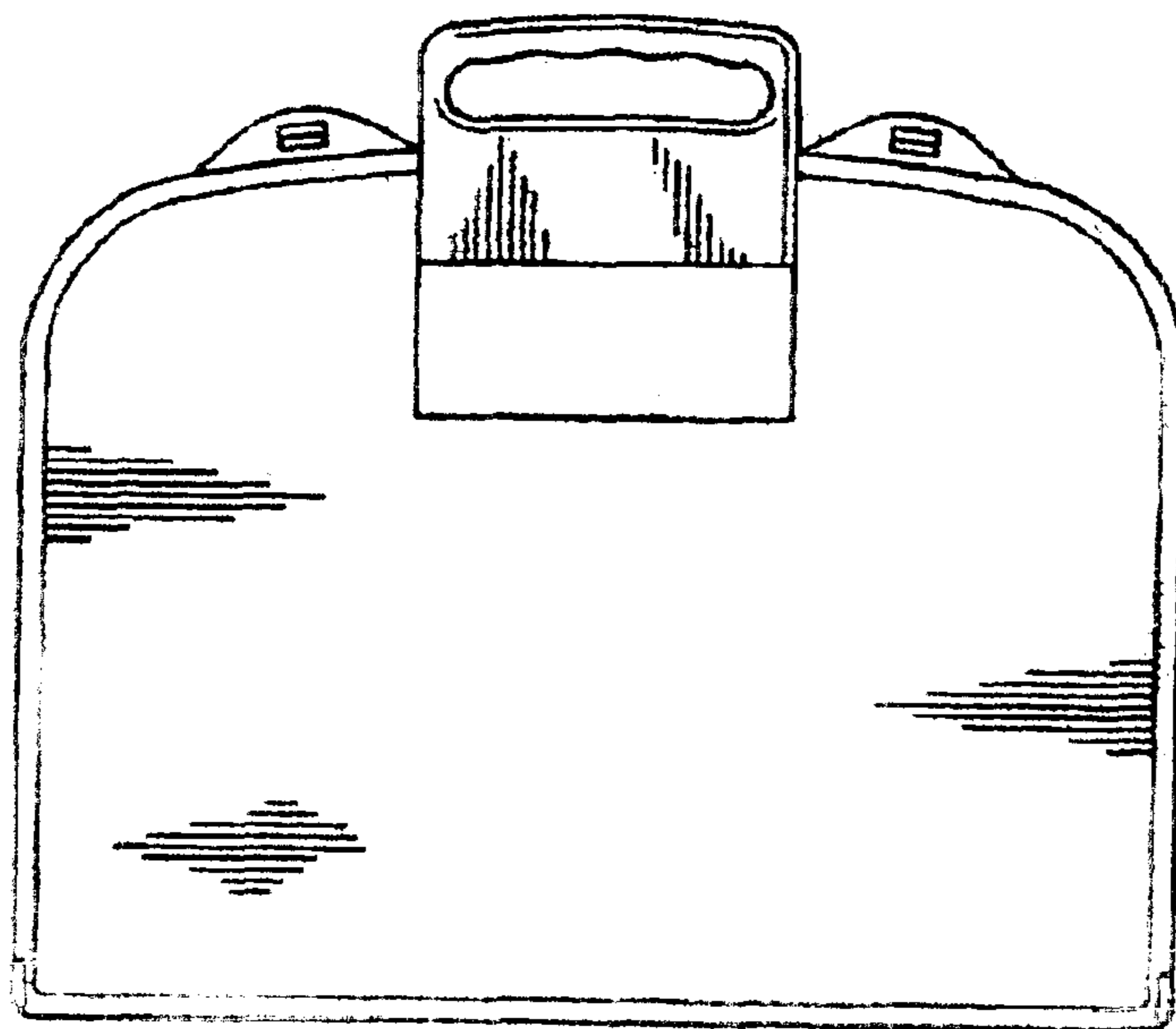


FIG. 3

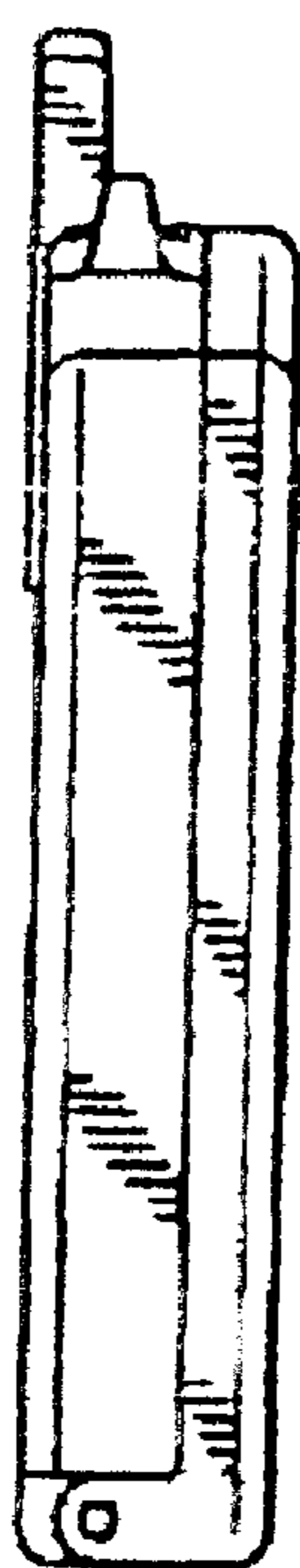


FIG. 4

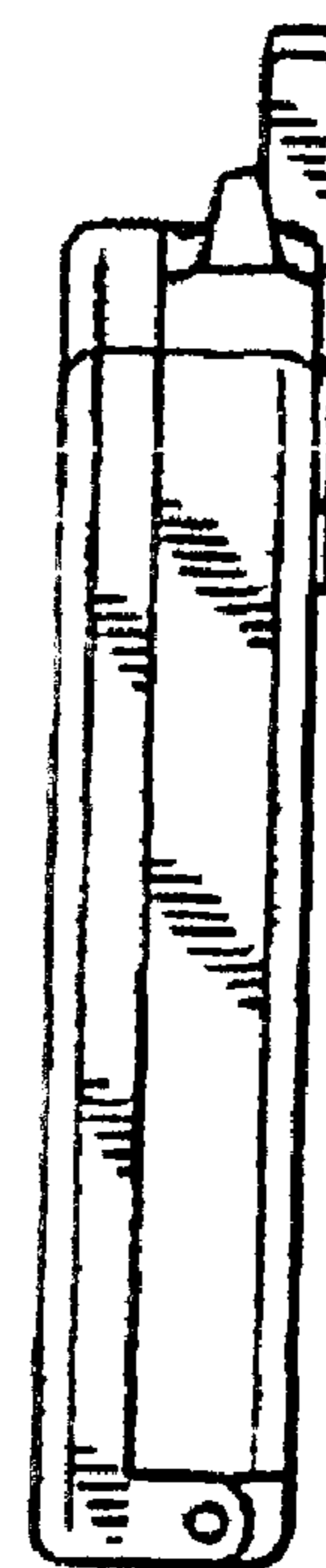


FIG. 5

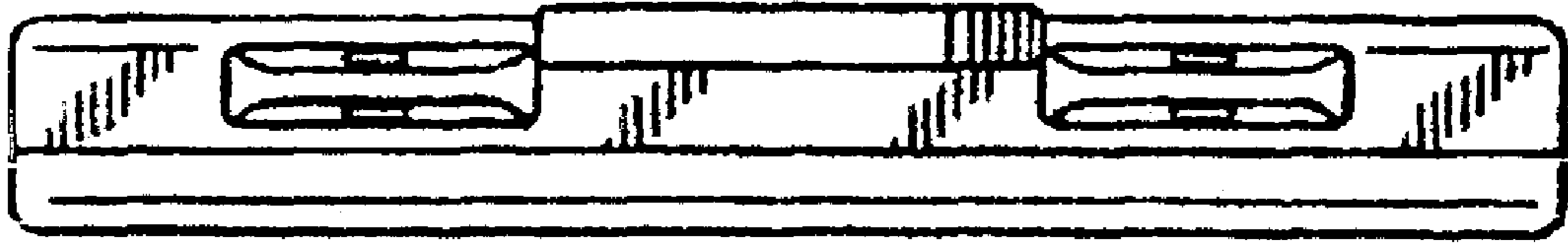


FIG. 6

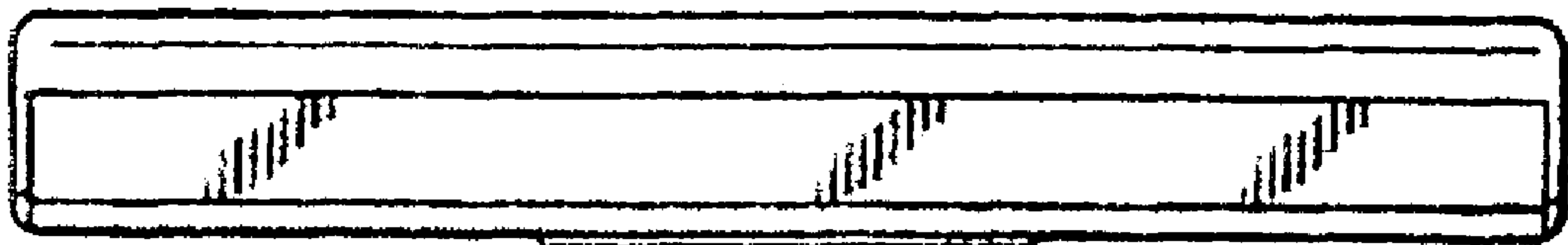


FIG. 7



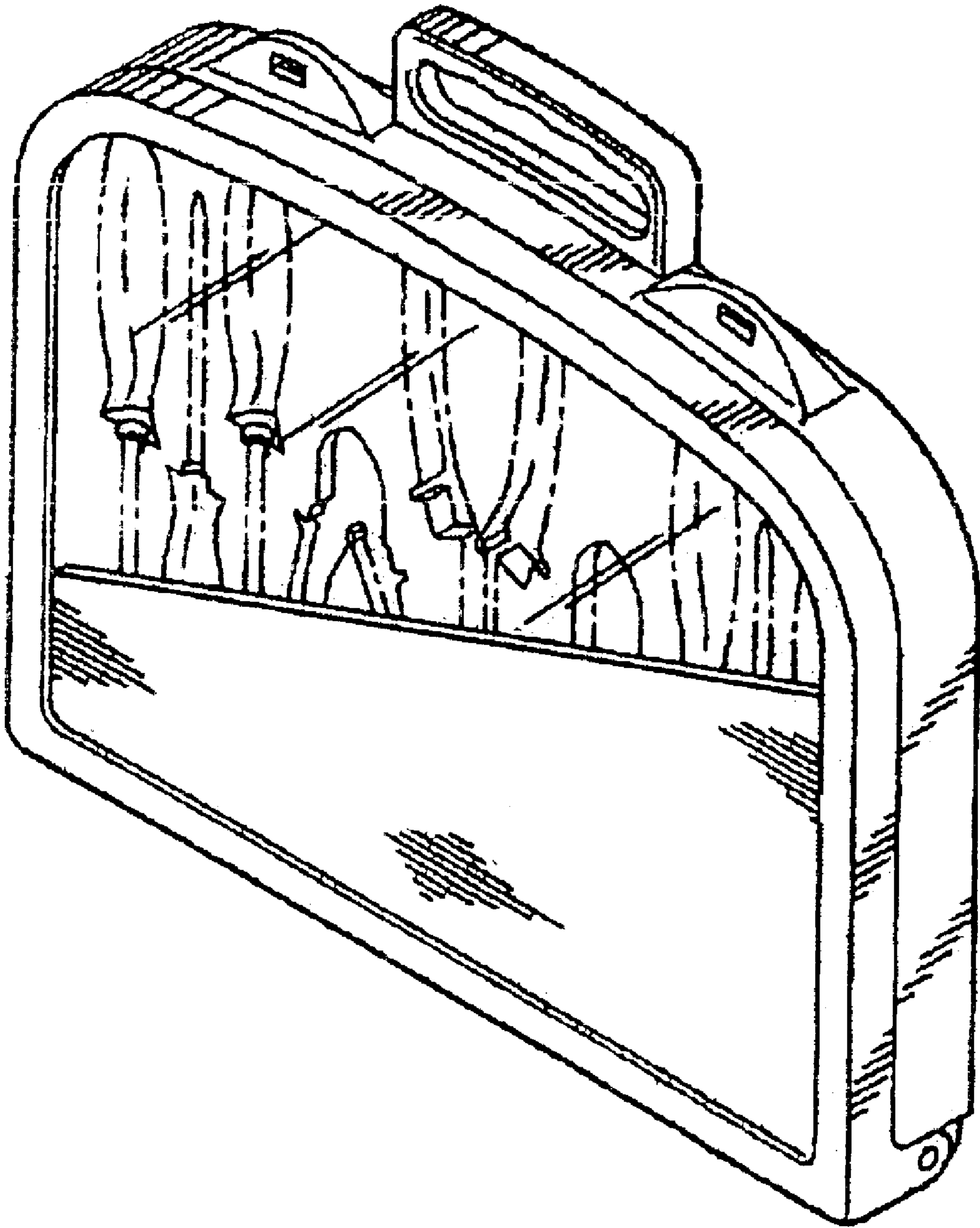


FIG. 8

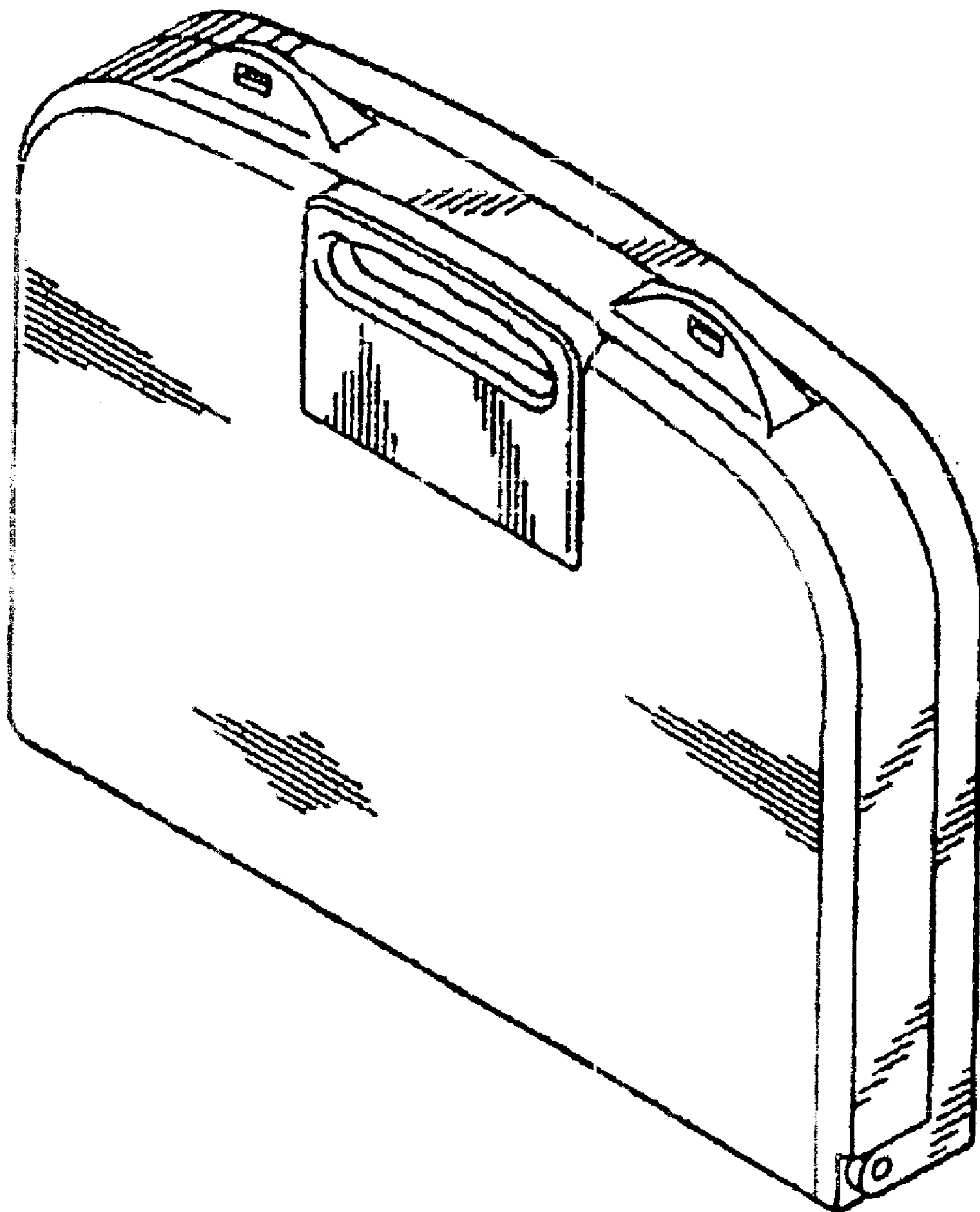


FIG. 9