



US00D539012S

(12) **United States Design Patent**
Evans

(10) **Patent No.:** **US D539,012 S**

(45) **Date of Patent:** **** Mar. 27, 2007**

(54) **BASEBALL CAP WITH REAR OPENING**

(75) Inventor: **Kevin Evans**, Stone Mountain, GA (US)

(73) Assignee: **Kymbyatta Evans**, Stone Mountain, GA (US)

(**) Term: **14 Years**

(21) Appl. No.: **29/253,189**

(22) Filed: **Feb. 2, 2006**

(51) **LOC (8) Cl.** **02-03**

(52) **U.S. Cl.** **D2/882; D2/876**

(58) **Field of Classification Search** D2/865,
D2/866, 872, 875, 876, 882, 884, 893; 2/171,
2/175.1, 181, 195.1, 195.2, 195.3, 195.4,
2/195.5, 209.12, 209.13, 209.3, 413
See application file for complete search history.

(56) **References Cited**

U.S. PATENT DOCUMENTS

1,907,709	A	*	5/1933	Barrow	2/171
2,185,306	A	*	1/1940	Marks	2/209.3
3,041,628	A		7/1962	Fish et al.		
D250,676	S	*	1/1979	McKinsey, Jr.	D2/876
5,239,705	A		8/1993	Leopold	2/209.13
5,321,854	A		6/1994	Kronenberger	2/209.7
5,325,540	A	*	7/1994	Kronenberger	2/209.3
5,359,733	A		11/1994	Brannon et al.	2/195.1
D360,519	S		7/1995	Bailey	D2/876
5,509,145	A		4/1996	Stevenson et al.	2/195.1
5,511,249	A		4/1996	Higgins	2/209.1
5,615,415	A	*	4/1997	Beckerman	2/195.3
5,644,799	A		7/1997	Armenta et al.	2/195.1
5,799,334	A		9/1998	Griffith et al.	2/195.1
D405,590	S		2/1999	Bartz	D2/883
D406,189	S		3/1999	Hosogai	D2/882
5,875,494	A		3/1999	Garneier, Jr. et al.	2/209.7

5,933,872	A		8/1999	Lema	2/209.7
D416,666	S		11/1999	Ballew	D2/882
6,049,911	A	*	4/2000	Bromberg	2/195.3
D424,282	S		5/2000	Crumpton et al.	D2/876
D434,890	S		12/2000	Cooper	D34/1
6,240,566	B1	*	6/2001	Scantlin	2/171
7,024,702	B2	*	4/2006	Kronenberger	2/209.3
7,036,156	B2	*	5/2006	Lahman et al.	2/181
2004/0226078	A1	*	11/2004	Lahman et al.	2/413

* cited by examiner

Primary Examiner—Robert M. Spear

Assistant Examiner—Mary Ann Calabrese

(74) *Attorney, Agent, or Firm*—Thomas, Kayden, Horstemeyer & Risley, LLP

(57) **CLAIM**

The ornamental design for a baseball cap with rear opening, as shown and described.

DESCRIPTION

FIG. 1 is an perspective view of the baseball cap with rear opening, showing my new design;

FIG. 2 is a left side view of the baseball cap with rear opening shown in FIG. 1;

FIG. 3 is a top view of the baseball cap with rear opening shown in FIG. 1;

FIG. 4 is a right side view of the baseball cap with rear opening shown in FIG. 1;

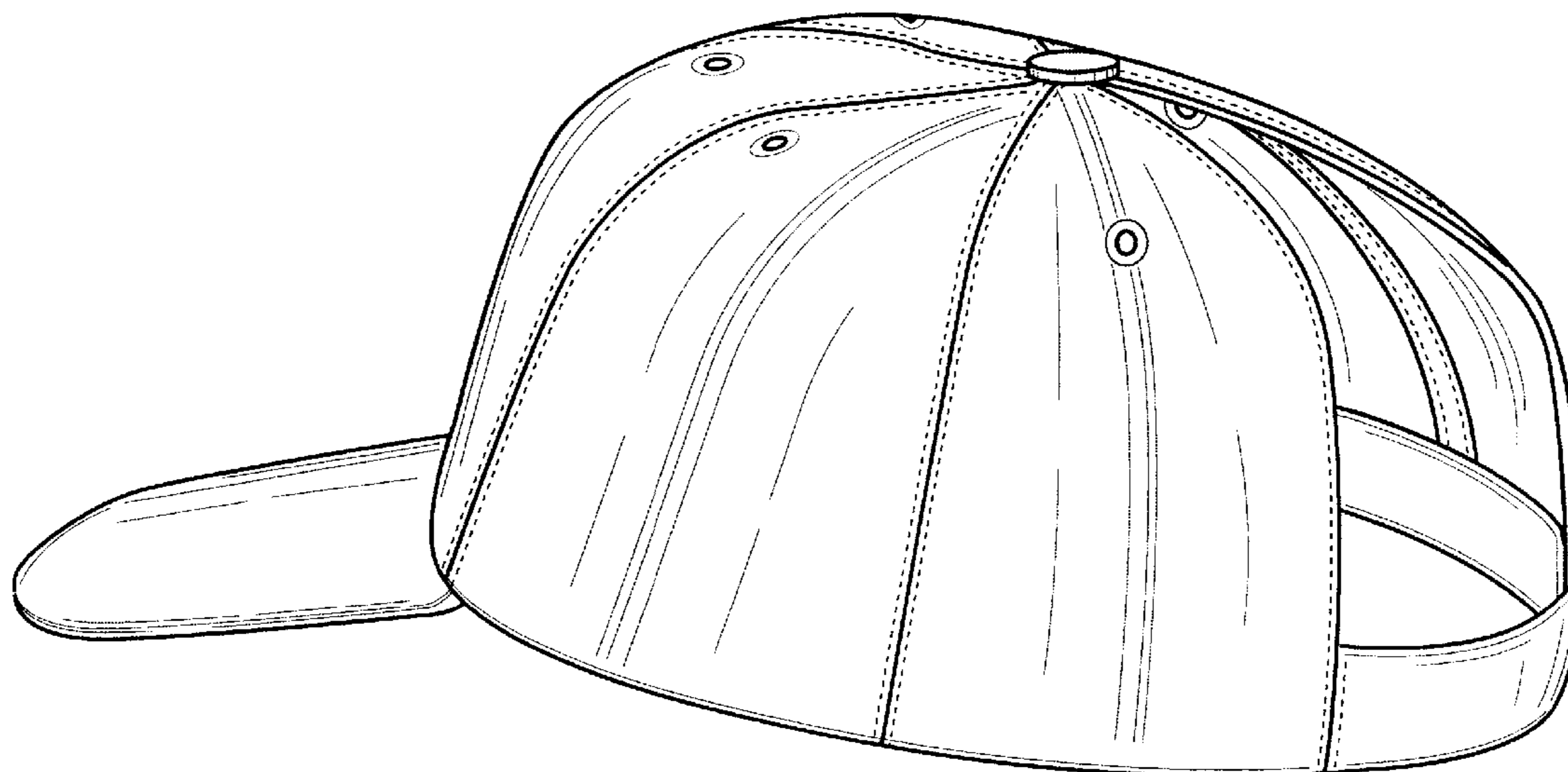
FIG. 5 is a bottom view of the baseball cap with rear opening shown in FIG. 1;

FIG. 6 is a front view of the baseball cap with rear opening shown in FIG. 1; and,

FIG. 7 is a back view of the baseball cap with rear opening shown in FIG. 1.

In the drawings, the broken lines are for illustrative purposes only and form no part of the claimed design.

1 Claim, 4 Drawing Sheets



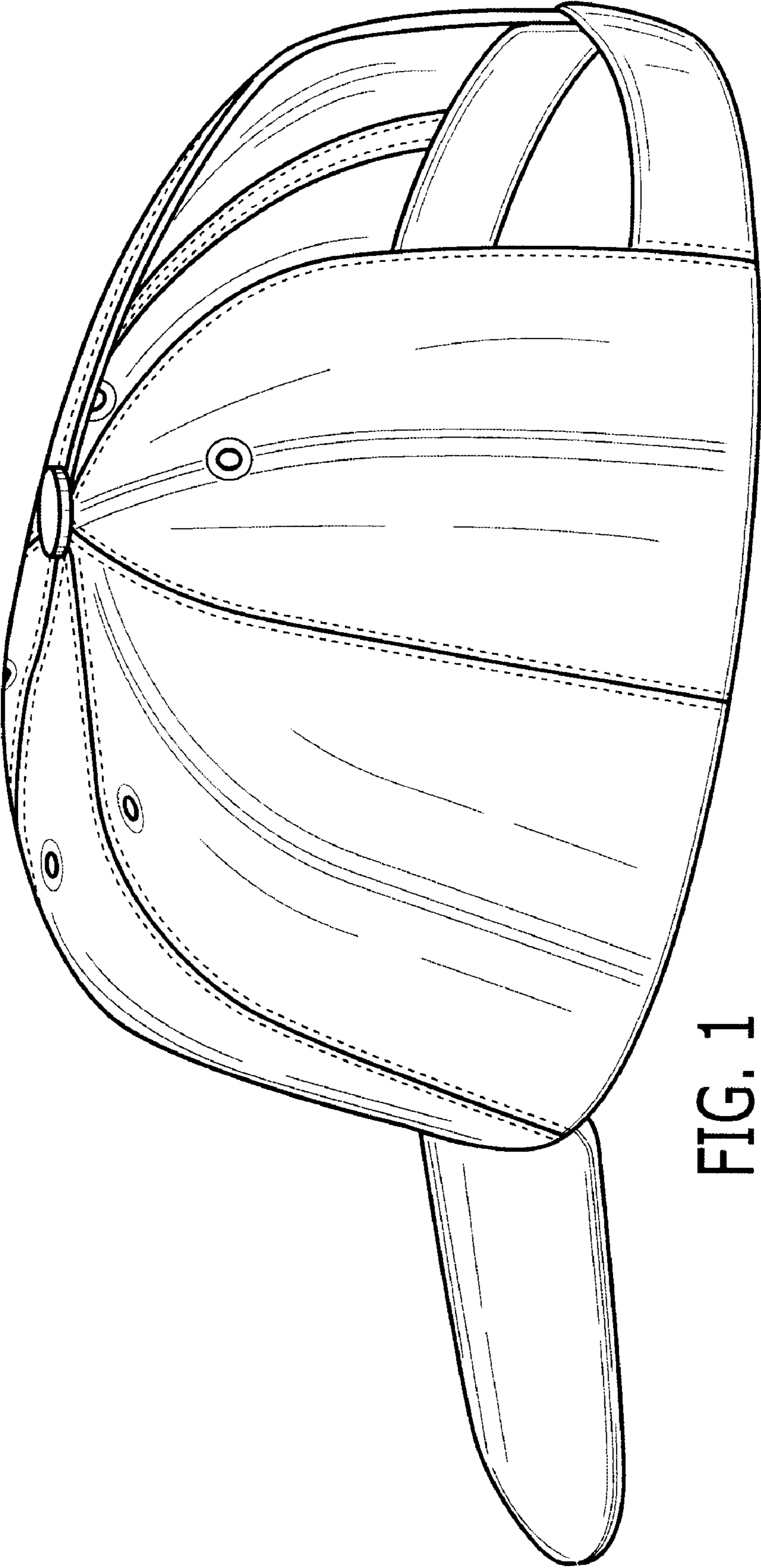


FIG. 1

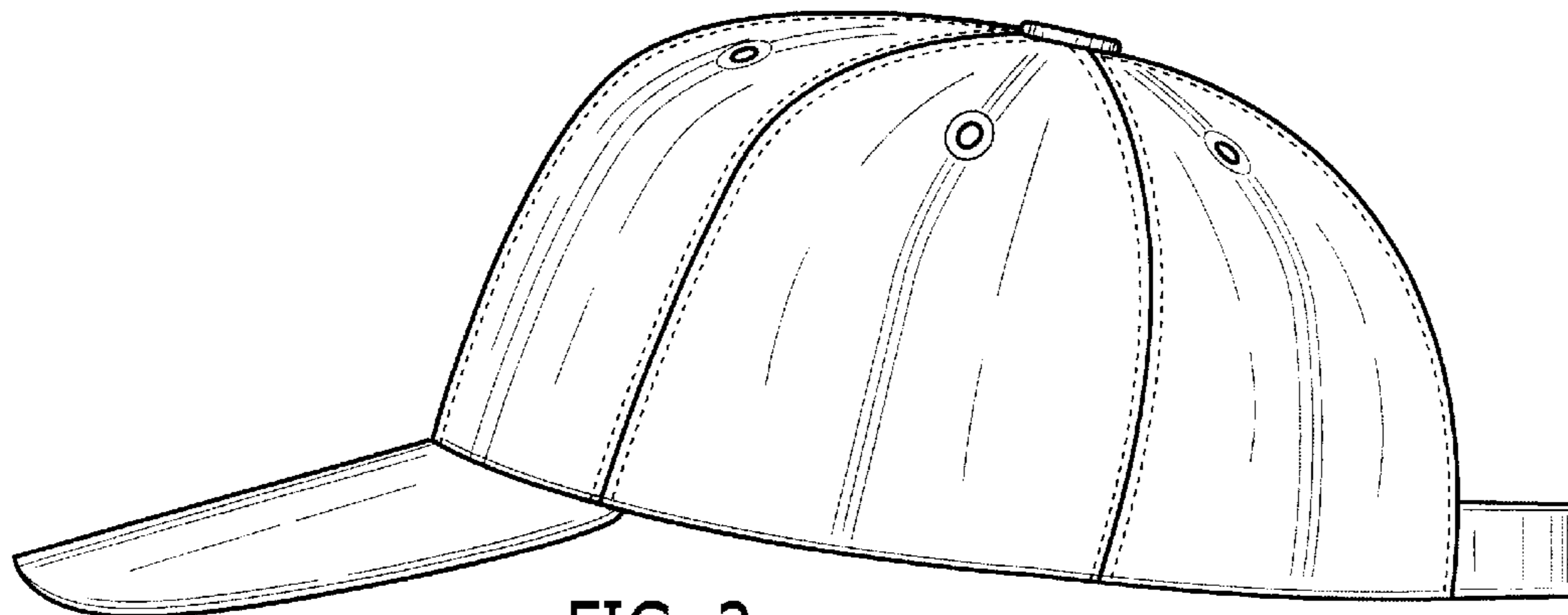


FIG. 2

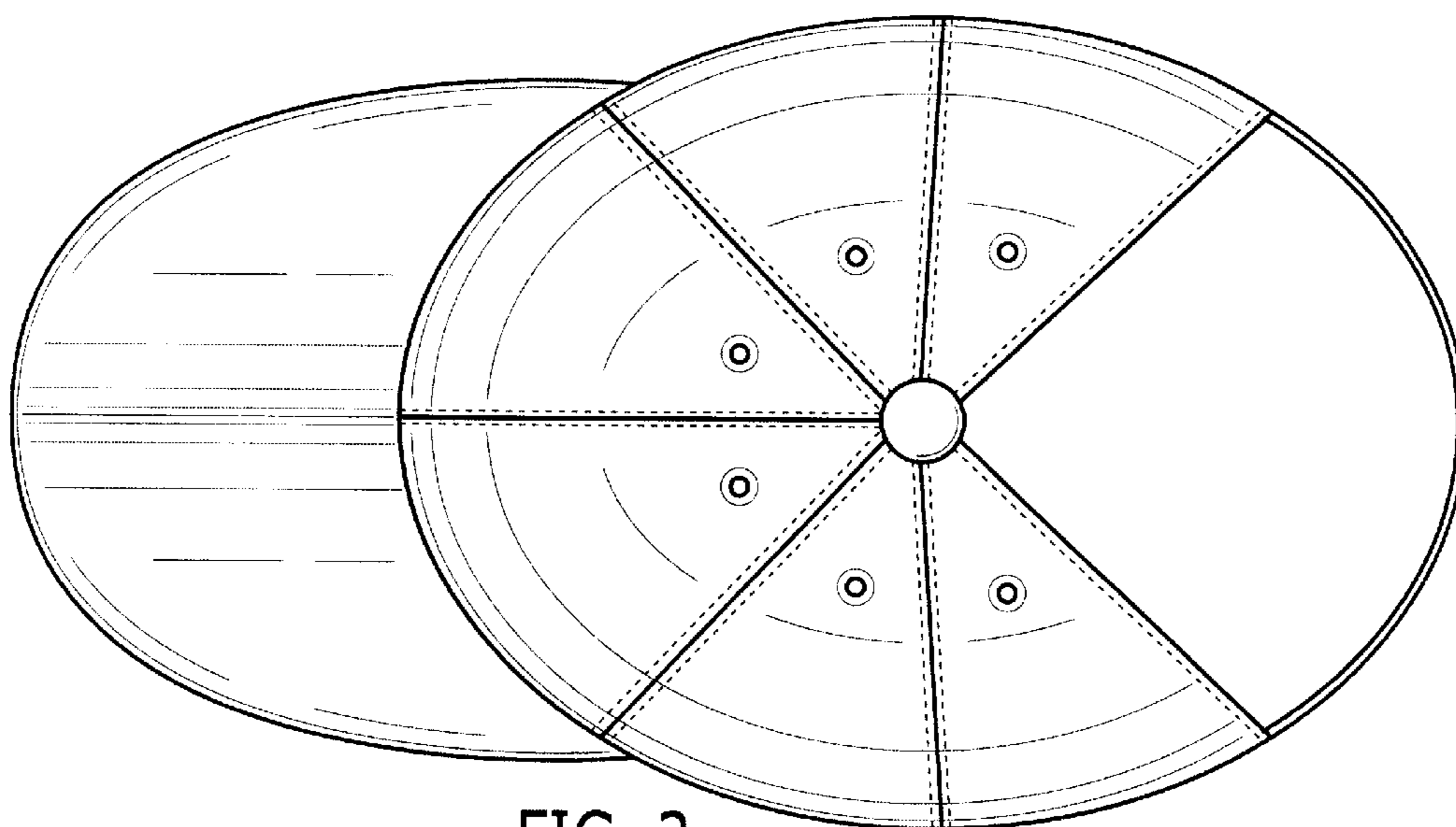


FIG. 3

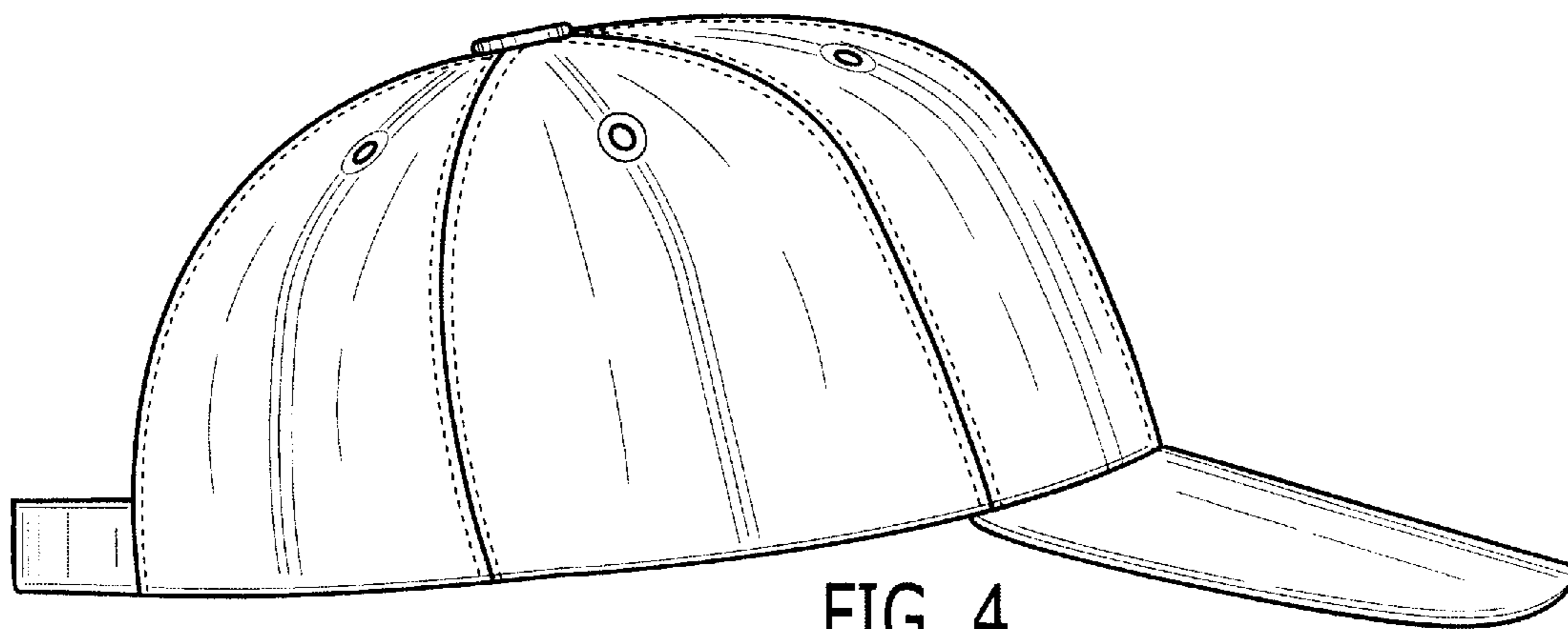


FIG. 4

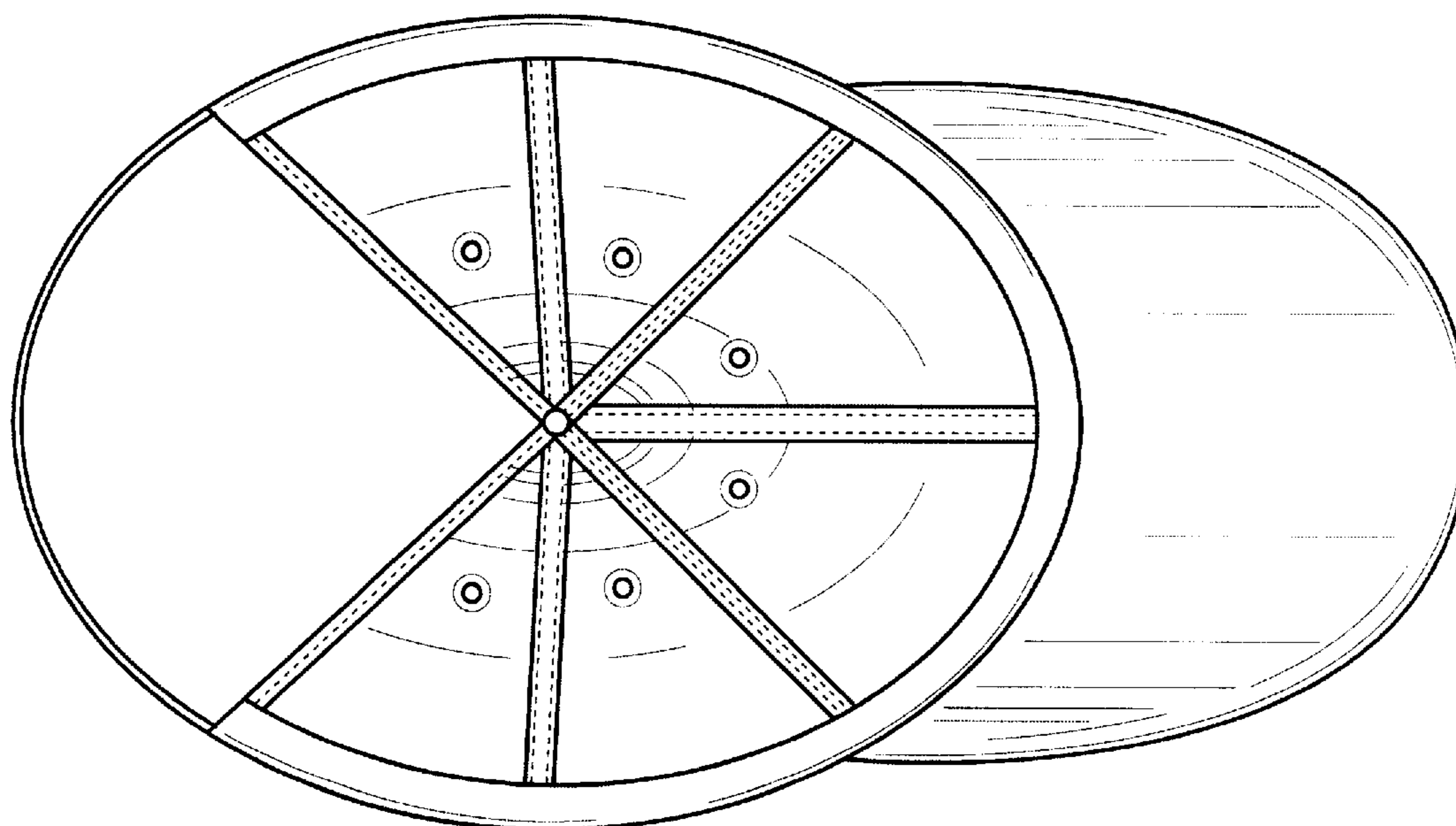


FIG. 5

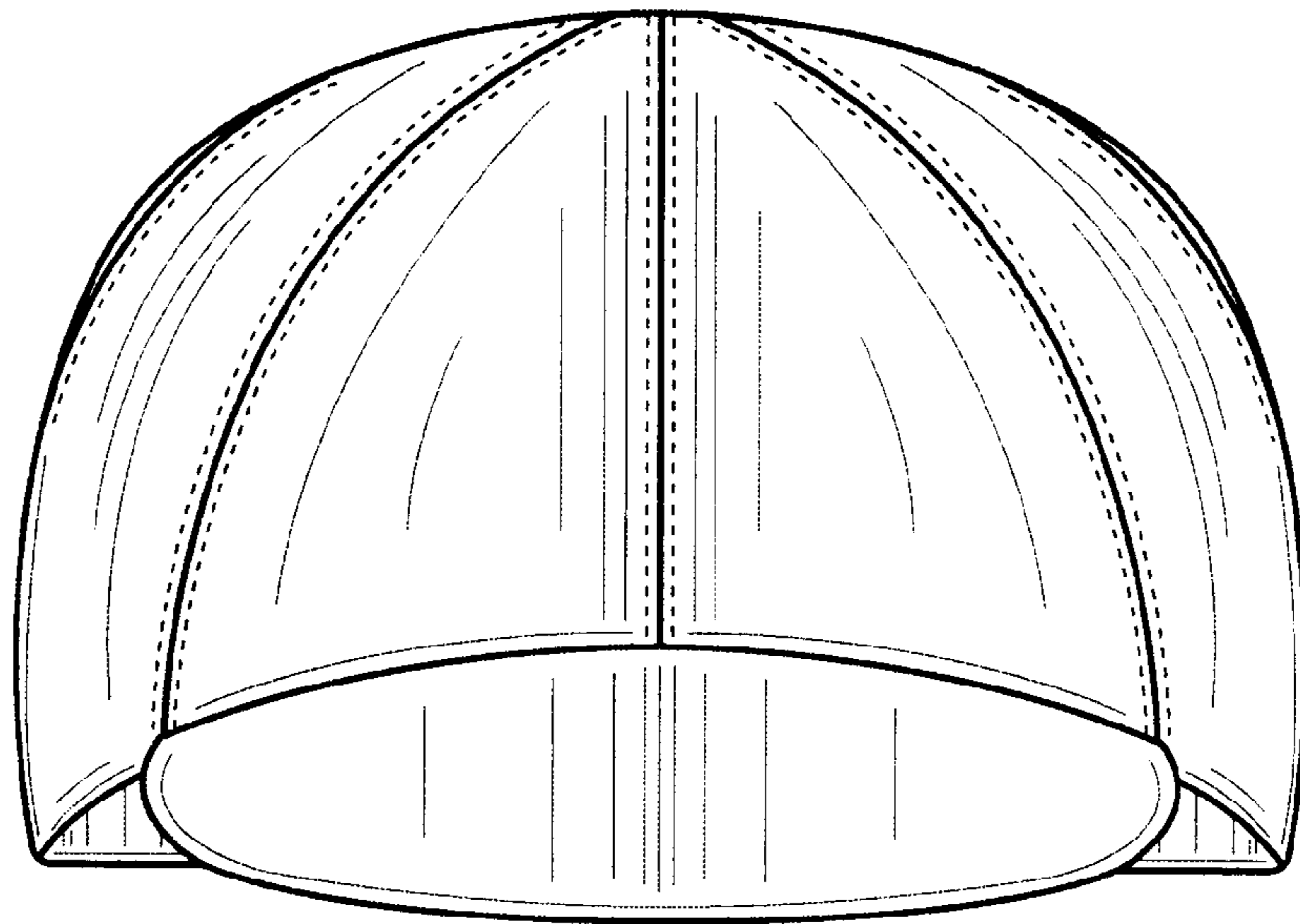


FIG. 6

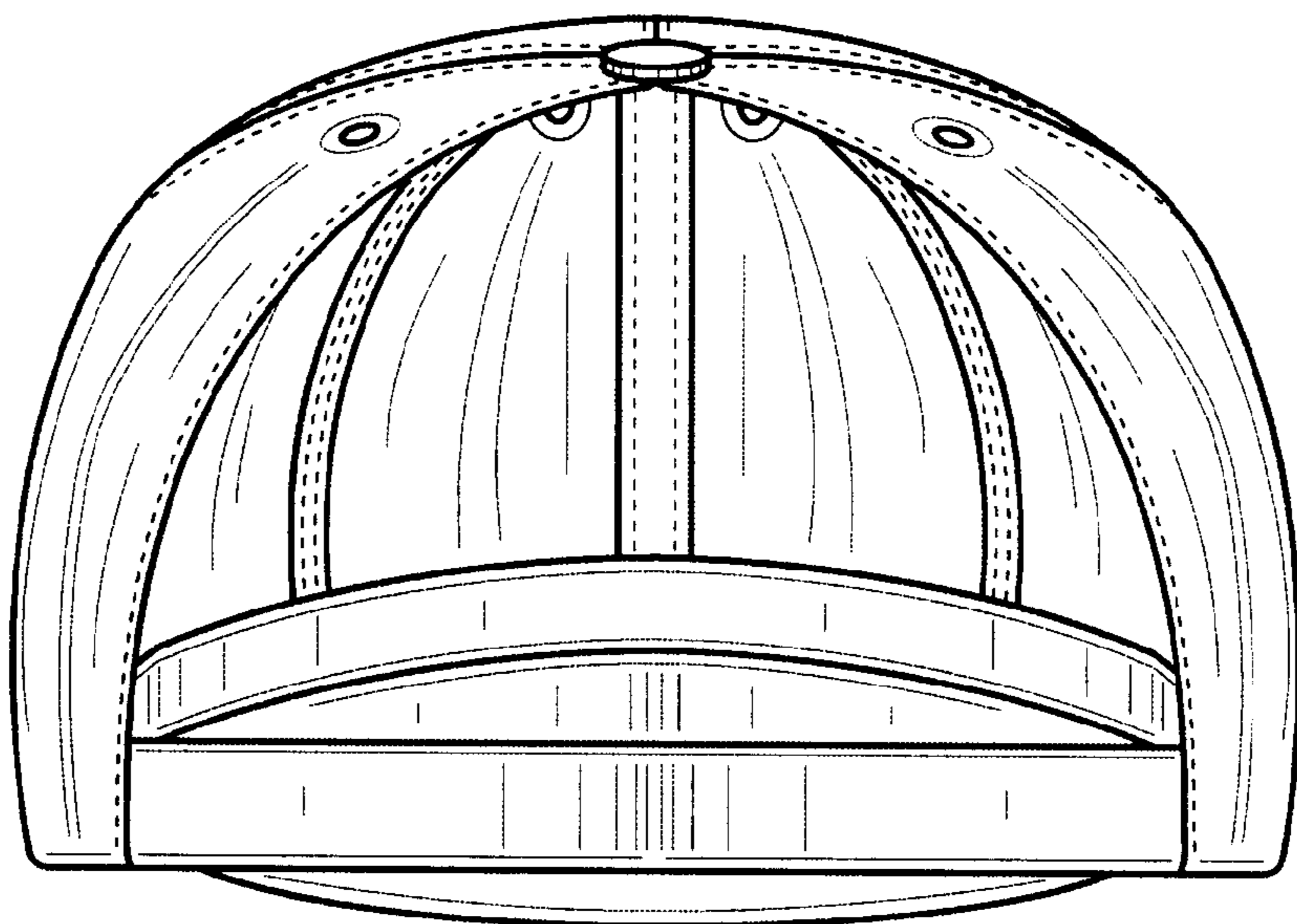


FIG. 7