



US00D539005S

(12) **United States Design Patent**
Baughman

(10) **Patent No.:** **US D539,005 S**

(45) **Date of Patent:** **** Mar. 20, 2007**

- (54) **CLOSING PLUG FOR A CONTAINER-INSTALLED FLANGE**
- (75) Inventor: **Gary M. Baughman**, Auburn, IN (US)
- (73) Assignee: **Rieke Corporation**, Auburn, IN (US)
- (**) Term: **14 Years**
- (21) Appl. No.: **29/215,652**
- (22) Filed: **Oct. 22, 2004**

2,643,790 A *	6/1953	Quillinan	220/257.2
2,889,156 A *	6/1959	Dearing et al.	285/55
3,124,267 A *	3/1964	Cetrone	220/288
3,264,850 A *	8/1966	Bower	70/165
3,863,800 A *	2/1975	Jesevich et al.	220/214
4,004,709 A *	1/1977	Simkus	220/257.1
4,105,135 A *	8/1978	Bradshaw et al.	220/288
4,109,600 A	8/1978	Post	113/121 R
4,135,639 A *	1/1979	Dillon et al.	220/288
4,252,246 A *	2/1981	Johnson et al.	220/288
4,316,318 A	2/1982	Mineo	29/512

(Continued)

Related U.S. Application Data

- (63) Continuation-in-part of application No. 10/863,738, filed on Jun. 8, 2004.
- (51) **LOC (8) Cl.** **09-02**
- (52) **U.S. Cl.** **D34/39**
- (58) **Field of Classification Search** D34/39, D34/10, 11; D9/434, 447, 435; 220/200, 220/234, 256.1, 288, 320; 285/203, 201, 285/202

See application file for complete search history.

(56) **References Cited**

U.S. PATENT DOCUMENTS

1,489,040 A *	4/1924	Parsons	220/288
1,513,637 A *	10/1924	Schwartz	285/204
1,702,532 A *	2/1929	Boomer et al.	220/210
1,822,114 A *	9/1931	Schwartz	220/288
1,838,042 A *	12/1931	Schwartz	220/257.1
1,851,938 A *	3/1932	Rieke	285/203
1,856,747 A *	5/1932	Cooper	285/202
1,919,597 A *	7/1933	Poke	220/259.4
1,945,495 A	1/1934	Rieke	220/39
1,947,425 A	2/1934	Rieke	285/49
1,952,036 A	3/1934	Dillhoefer, Jr.	220/39
2,160,598 A	5/1939	Melrath	29/148.2
2,398,553 A *	4/1946	Nyden	215/334
2,426,134 A *	8/1947	Wilson	222/153.03
2,447,535 A *	8/1948	Robinson	285/203
2,447,536 A *	8/1948	Robinson	285/203
2,483,964 A *	10/1949	Bennett	220/284
2,612,285 A *	9/1952	Benson	220/288

OTHER PUBLICATIONS

- Product description of VISEGRIP® Flange, style S-250, offered by Rieke Corporation since 1950.
- Product description of VISEGRIP® Flange, style S-200, offered by Rieke Corporation since 1950.
- Product description of VISEGRIP® Flange, style R-4, offered by Rieke Corporation since 1950.
- Product description of VISEGRIP® Flange, style R-6, offered by Rieke Corporation since 1950.

Primary Examiner—Cynthia E. Ramirez

(74) *Attorney, Agent, or Firm*—Woodard, Emhardt, Moriarty, McNett & Henry LLP

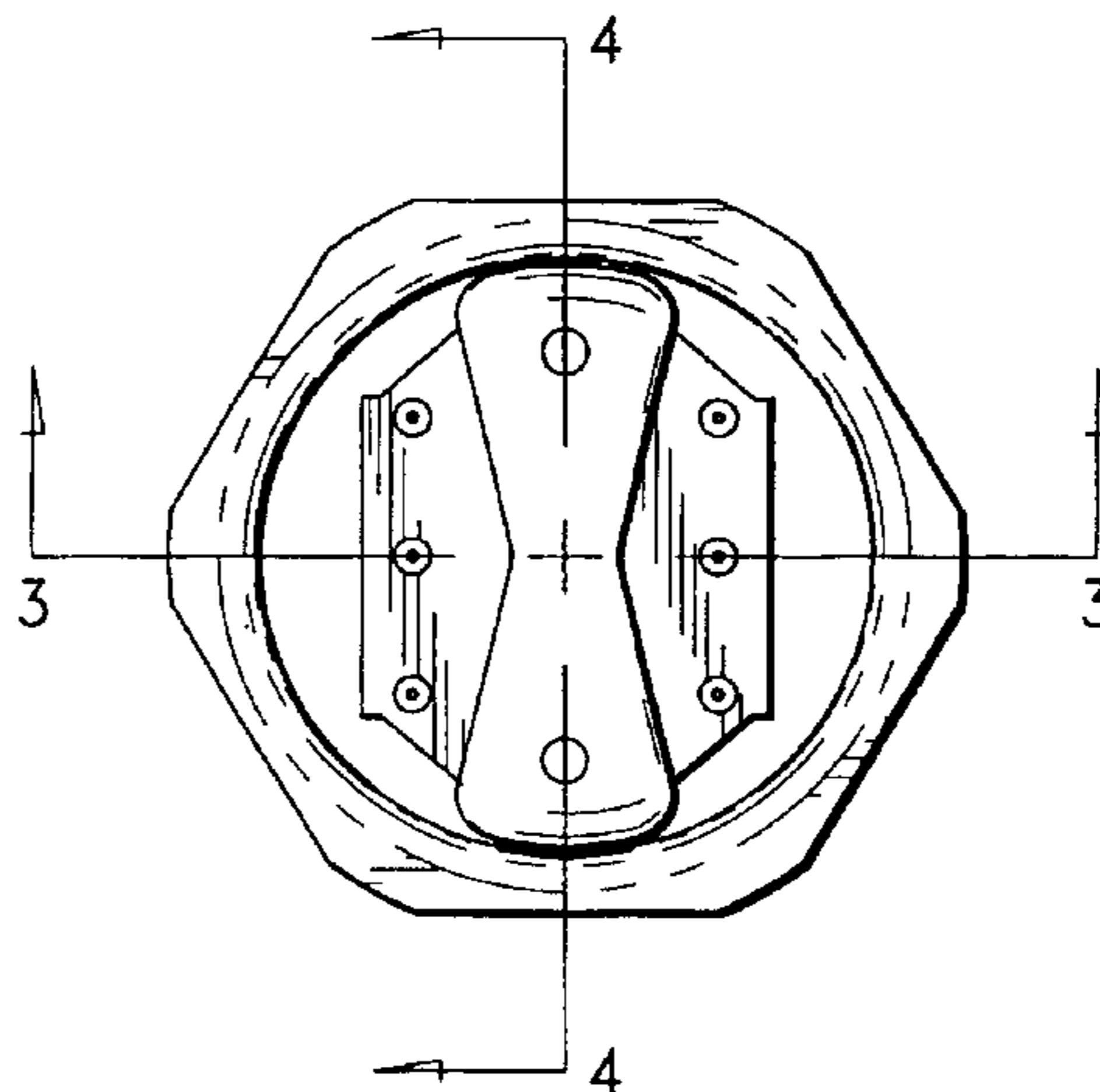
(57) **CLAIM**

I claim the ornamental design for closing plug for a container-installed flange, as shown and described.

DESCRIPTION

FIG. 1 is a front elevational view for a closing plug for a container-installed flange showing my new design;
 FIG. 2 is a top plan view thereof;
 FIG. 3 is a front elevational view thereof, in full section, as viewed along line 3—3 in FIG. 2;
 FIG. 4 is a side elevational view thereof, in full section, as viewed along line 4—4 in FIG. 2;
 FIG. 5 is a bottom plan view thereof; and,
 FIG. 6 is a perspective view thereof.

1 Claim, 3 Drawing Sheets



US D539,005 S

Page 2

U.S. PATENT DOCUMENTS

4,588,103	A	5/1986	Baughman	220/288	D388,933	S	*	1/1998	Hunter et al.	D34/39
4,625,889	A	12/1986	Baughman	220/288	D458,001	S	*	5/2002	Shah	D34/39
5,016,775	A	*	5/1991	Budenbender	2003/0132231	A1		7/2003	Van De Klippe	220/304
5,356,030	A	10/1994	Büdenbender	220/601	2004/0256393	A1		12/2004	Van De Klippe et al.	..	220/304

* cited by examiner

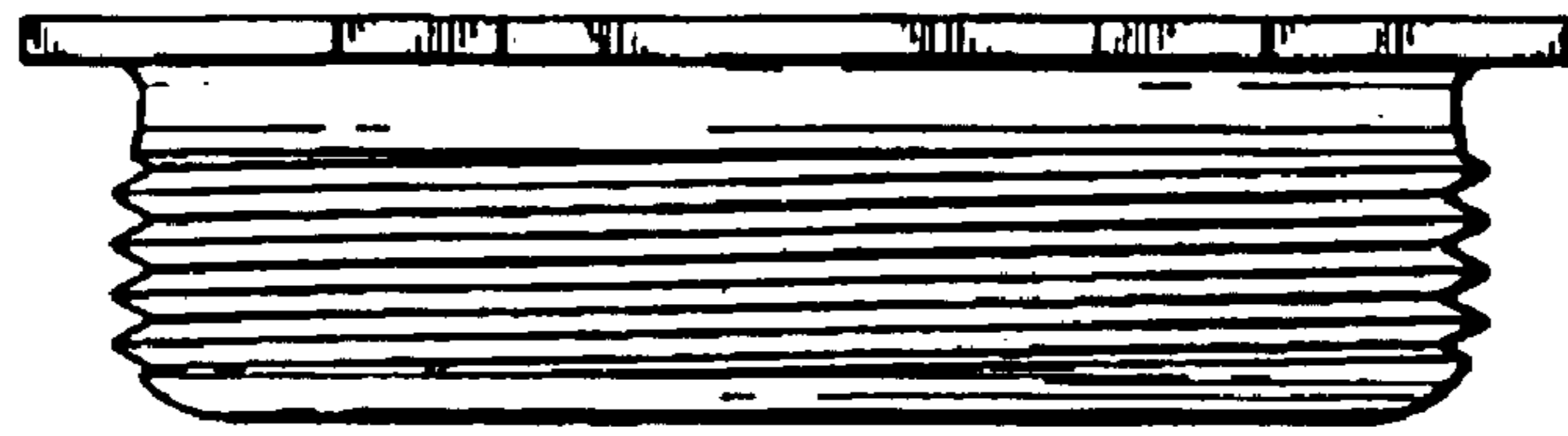


Fig. 1

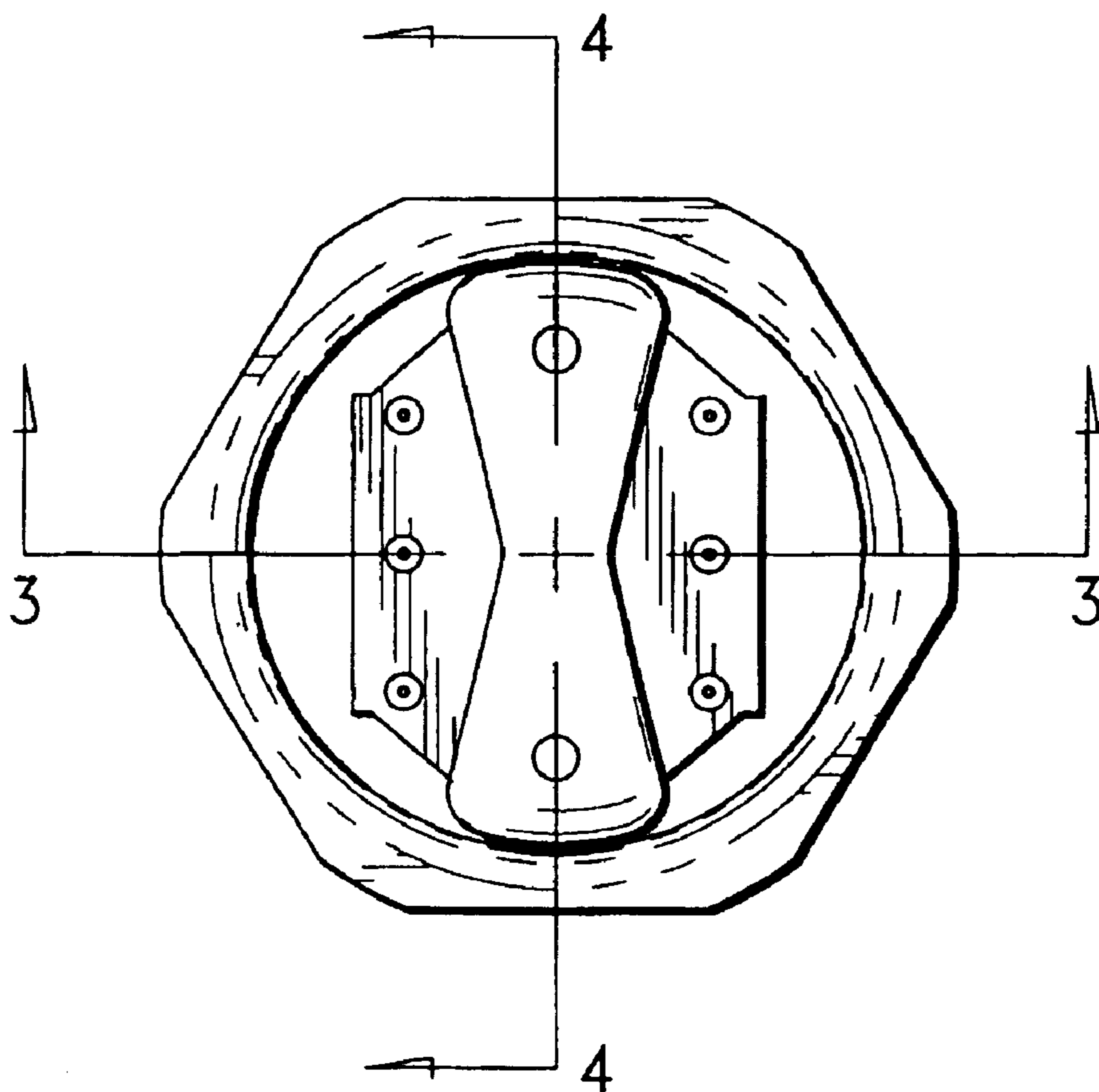


Fig. 2

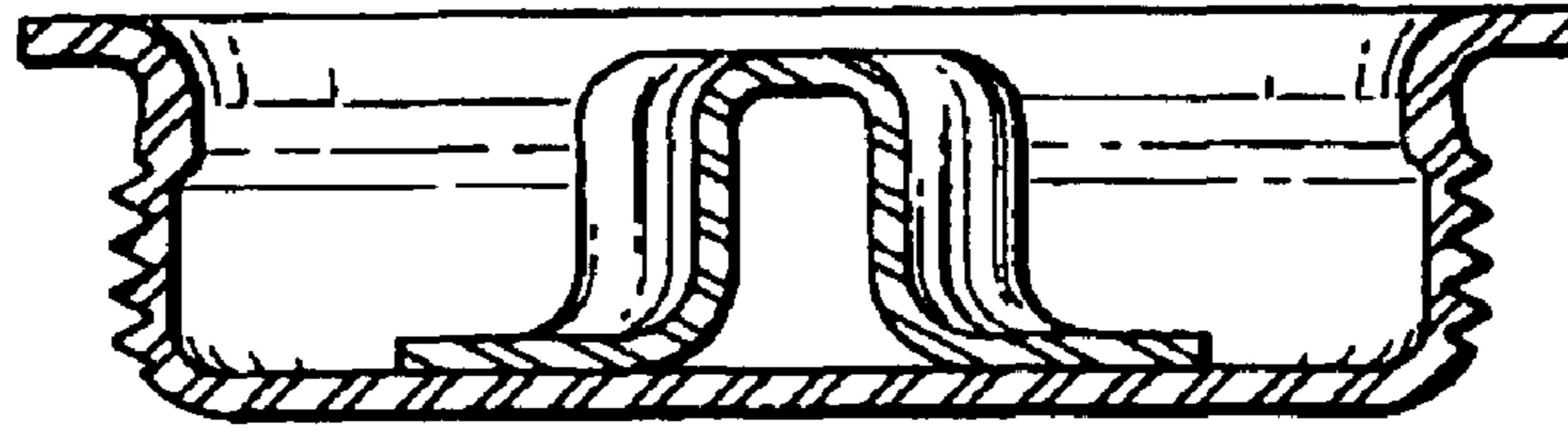


Fig. 3

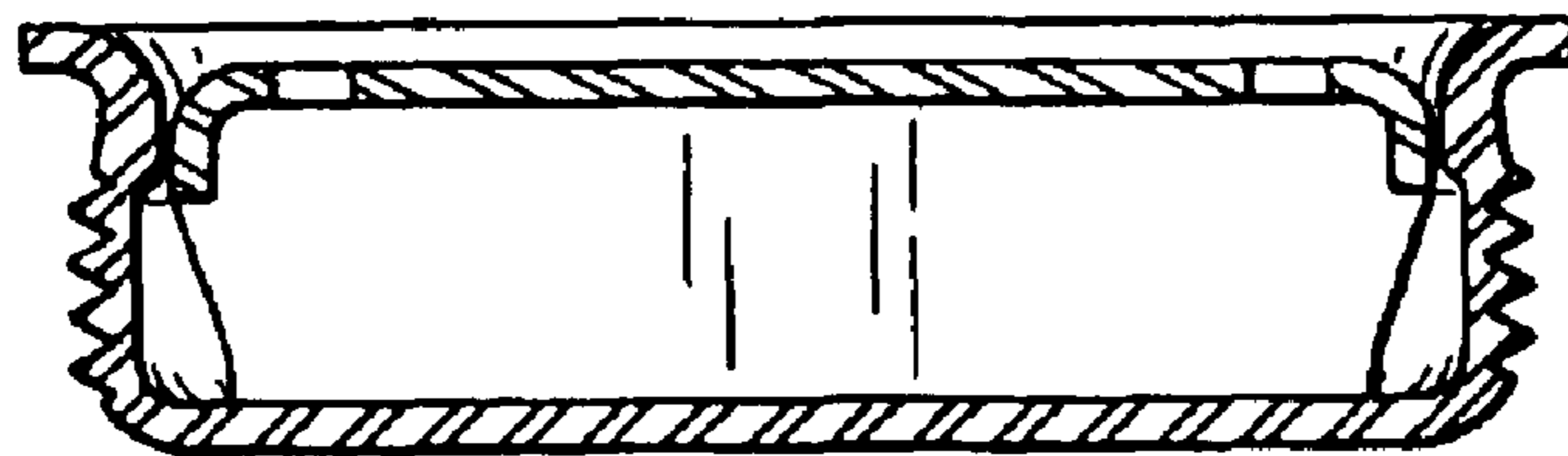


Fig. 4

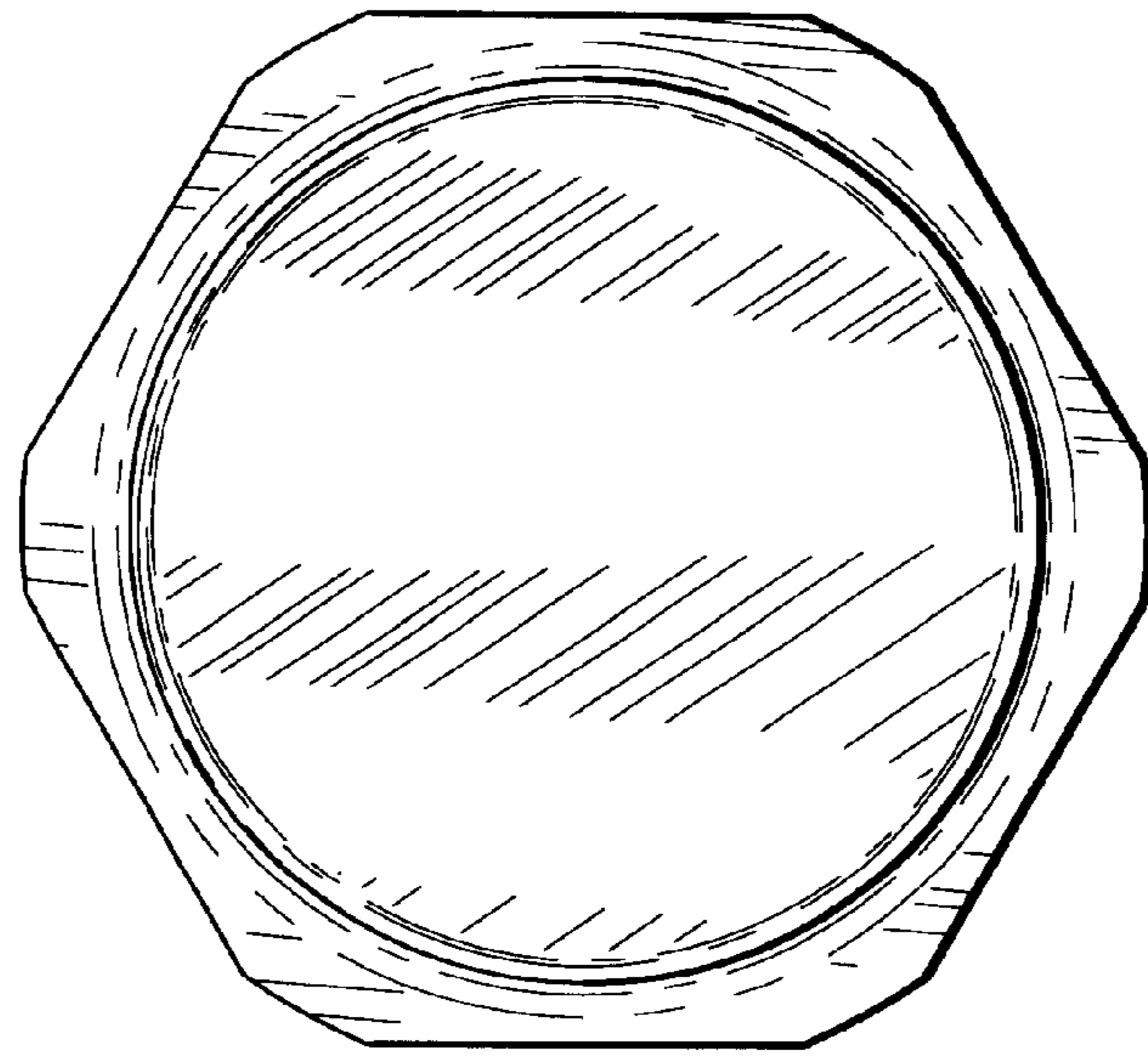


Fig. 5

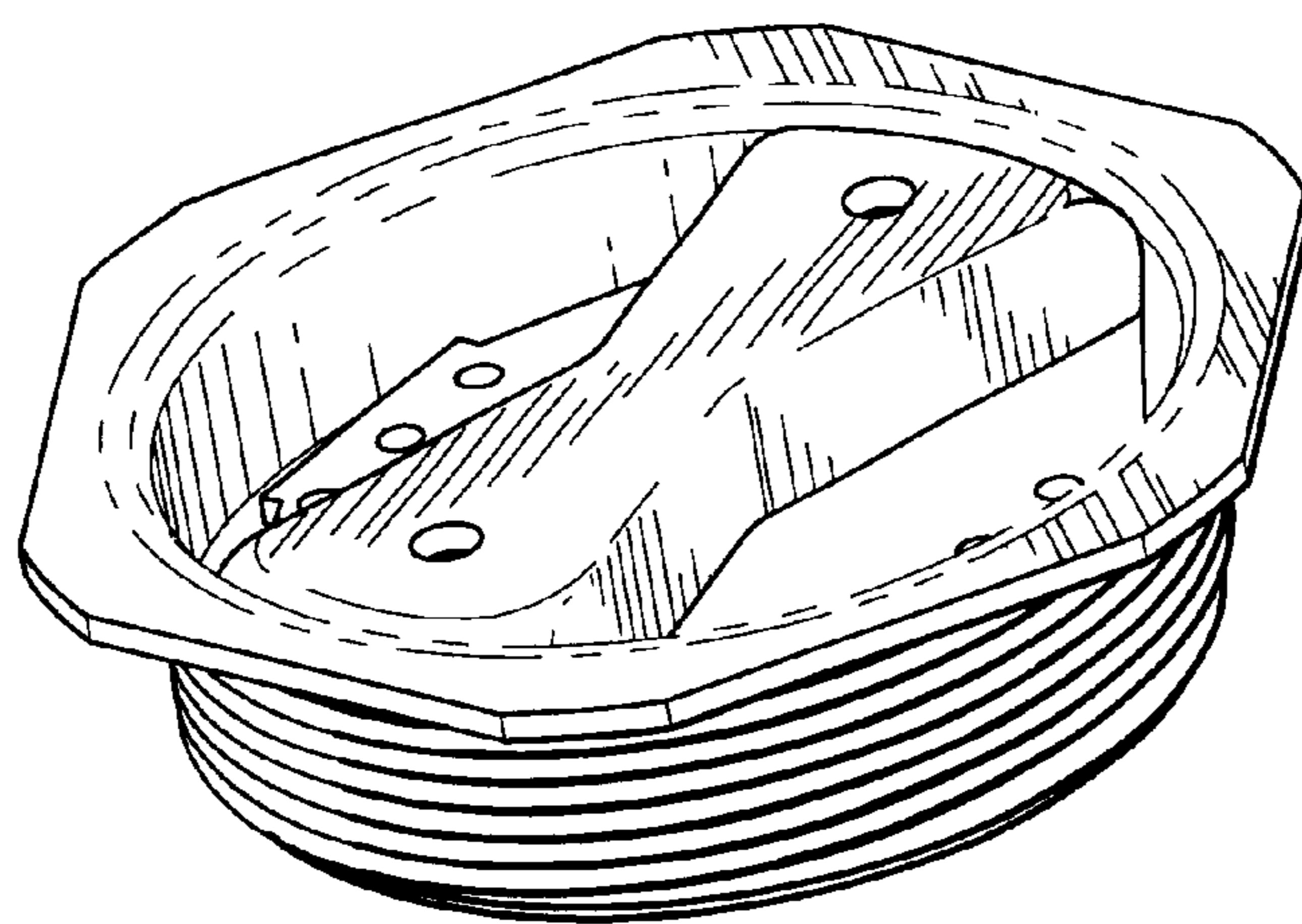


Fig. 6