



US00D539003S

(12) **United States Design Patent**
Abbey

(10) **Patent No.:** **US D539,003 S**

(45) **Date of Patent:** **** Mar. 20, 2007**

(54) **COMBINED BASE AND HOLDER FOR A JACK**

(76) Inventor: **Raymond W. Abbey**, 26701 302nd Ave., Carter, SD (US) 57580

(**) Term: **14 Years**

(21) Appl. No.: **29/225,483**

(22) Filed: **Mar. 15, 2005**

(51) **LOC (8) Cl.** **12-05**

(52) **U.S. Cl.** **D34/31**

(58) **Field of Classification Search** D34/28, D34/31; 254/DIG. 1, DIG. 3, 93 H, 93 R, 254/8 R, 84, 88, 133 R, 134
See application file for complete search history.

(56) **References Cited**

U.S. PATENT DOCUMENTS

| | | | | | | |
|-----------|---|---|---------|----------------|-------|---------|
| 652,550 | A | * | 6/1900 | Robinson | | 254/108 |
| D44,837 | S | * | 11/1913 | Burkholder | | D34/31 |
| 1,379,736 | A | * | 5/1921 | Wilkins | | 254/110 |
| 1,505,443 | A | * | 8/1924 | Stone | | 254/134 |
| 3,802,658 | A | * | 4/1974 | Binding | | 248/352 |
| 4,486,004 | A | * | 12/1984 | Drewitz et al. | | 254/2 B |

| | | | | | | |
|----------|---|---|---------|----------------|-------|---------|
| D306,089 | S | * | 2/1990 | Caico et al. | | D34/31 |
| D374,210 | S | * | 10/1996 | Razin | | D12/412 |
| D447,309 | S | * | 8/2001 | Wilson | | D34/31 |
| D524,507 | S | * | 7/2006 | Simpson et al. | | D34/31 |

* cited by examiner

Primary Examiner—Cynthia E. Ramirez

(74) *Attorney, Agent, or Firm*—R. Michael West

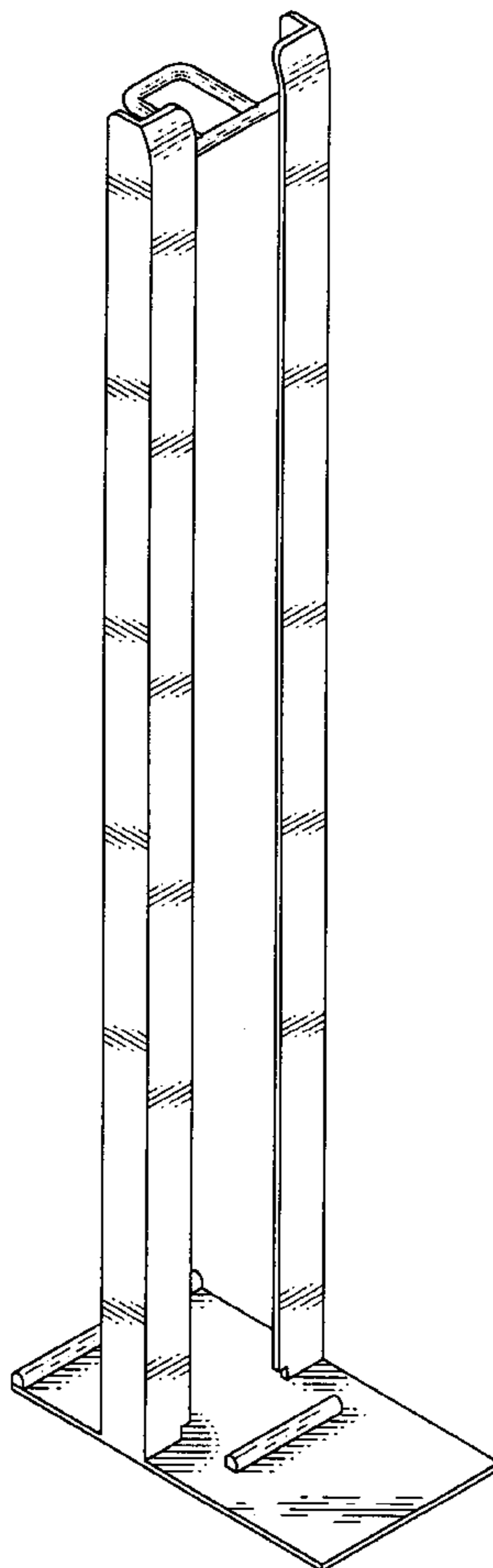
(57) **CLAIM**

The ornamental design for a combined base and holder for a jack, as shown and described.

DESCRIPTION

FIG. 1 is a perspective view of the rear side of a combined base and holder for a jack, showing my new design; FIG. 2 is a perspective view of the front side, thereof, the broken-line representation of a jack being shown solely for illustrative purposes, forming no part of the claimed design; FIG. 3 is a top plan view, thereof; FIG. 4 is a bottom plan view, thereof; FIG. 5 is a rear elevational view, thereof; FIG. 6 is an elevational view of one side, thereof, the other side elevational view being a mirror image, thereof; and, FIG. 7 is a front elevational view.

1 Claim, 2 Drawing Sheets



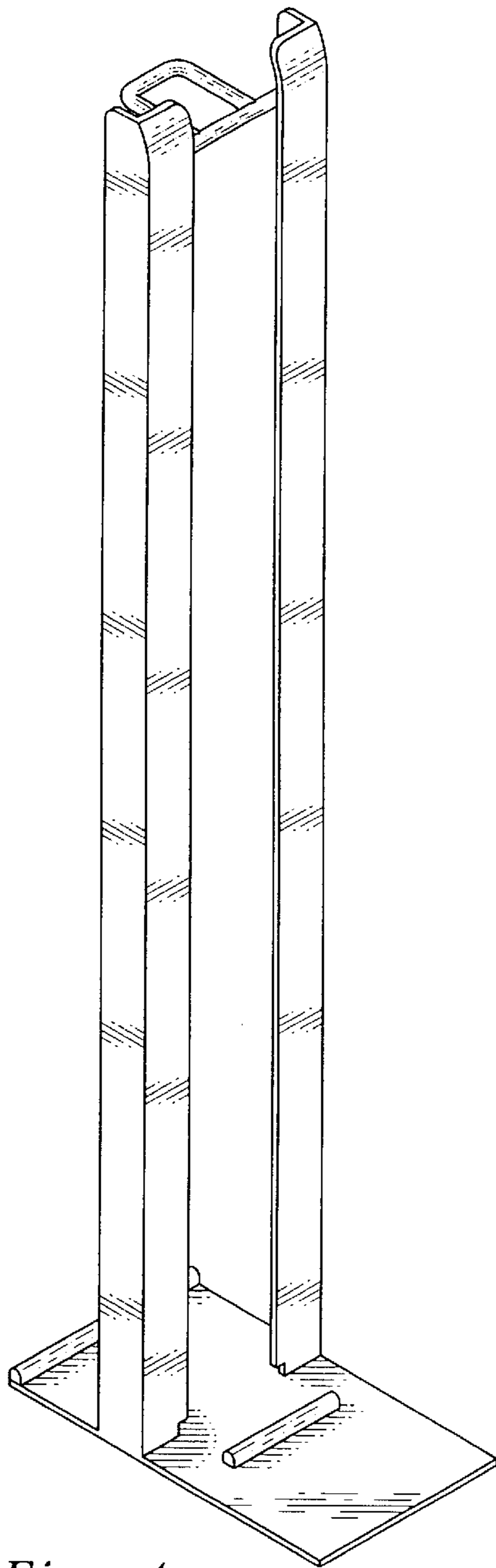


Fig. 1

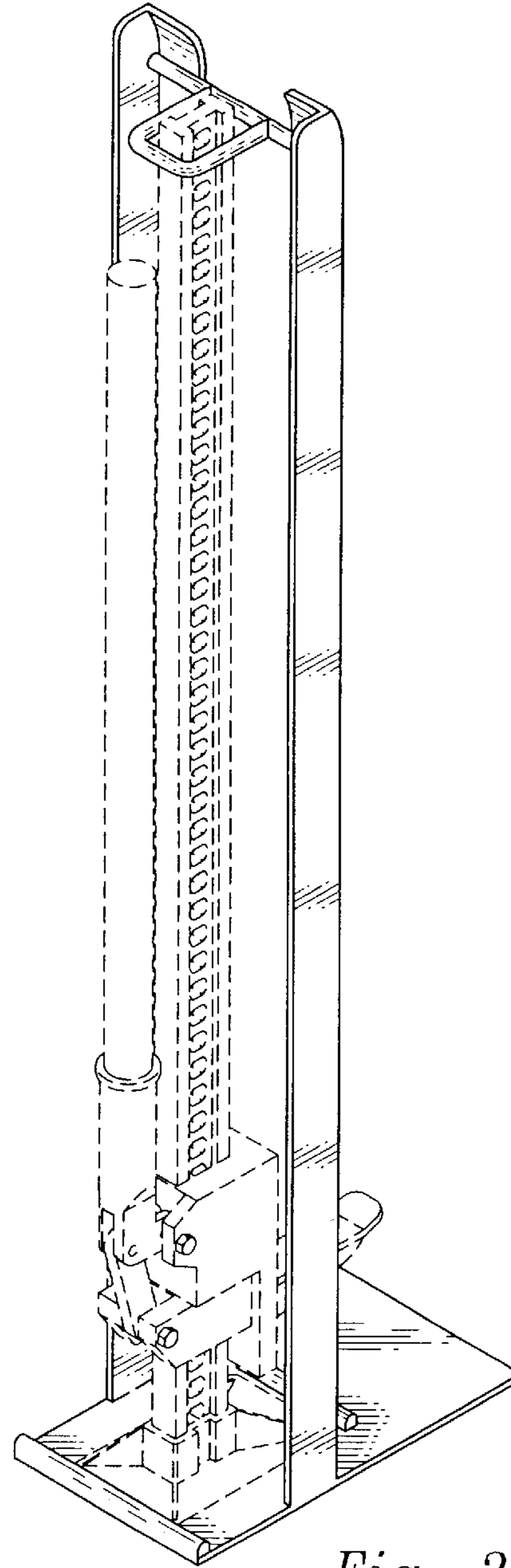


Fig. 2

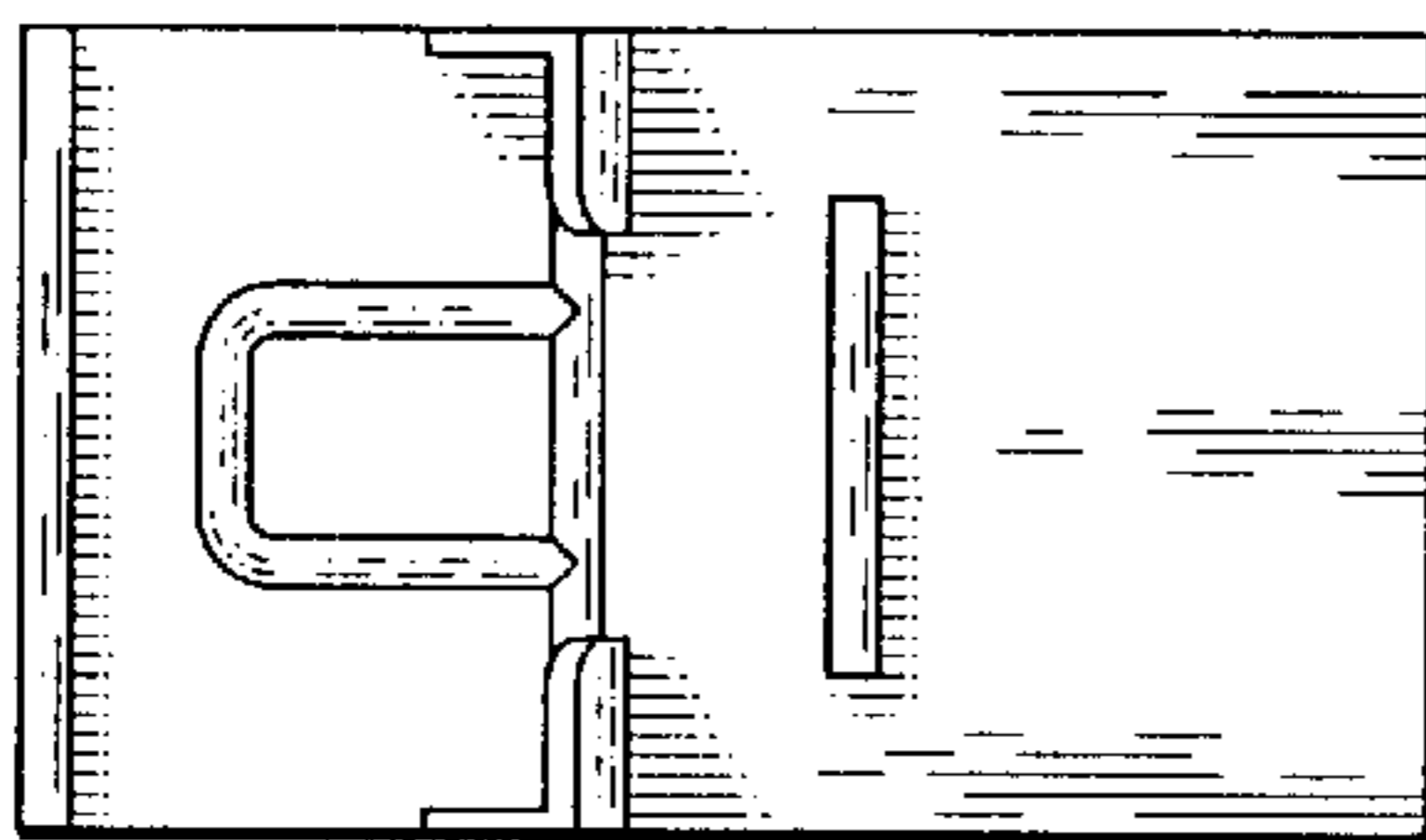


Fig. 3

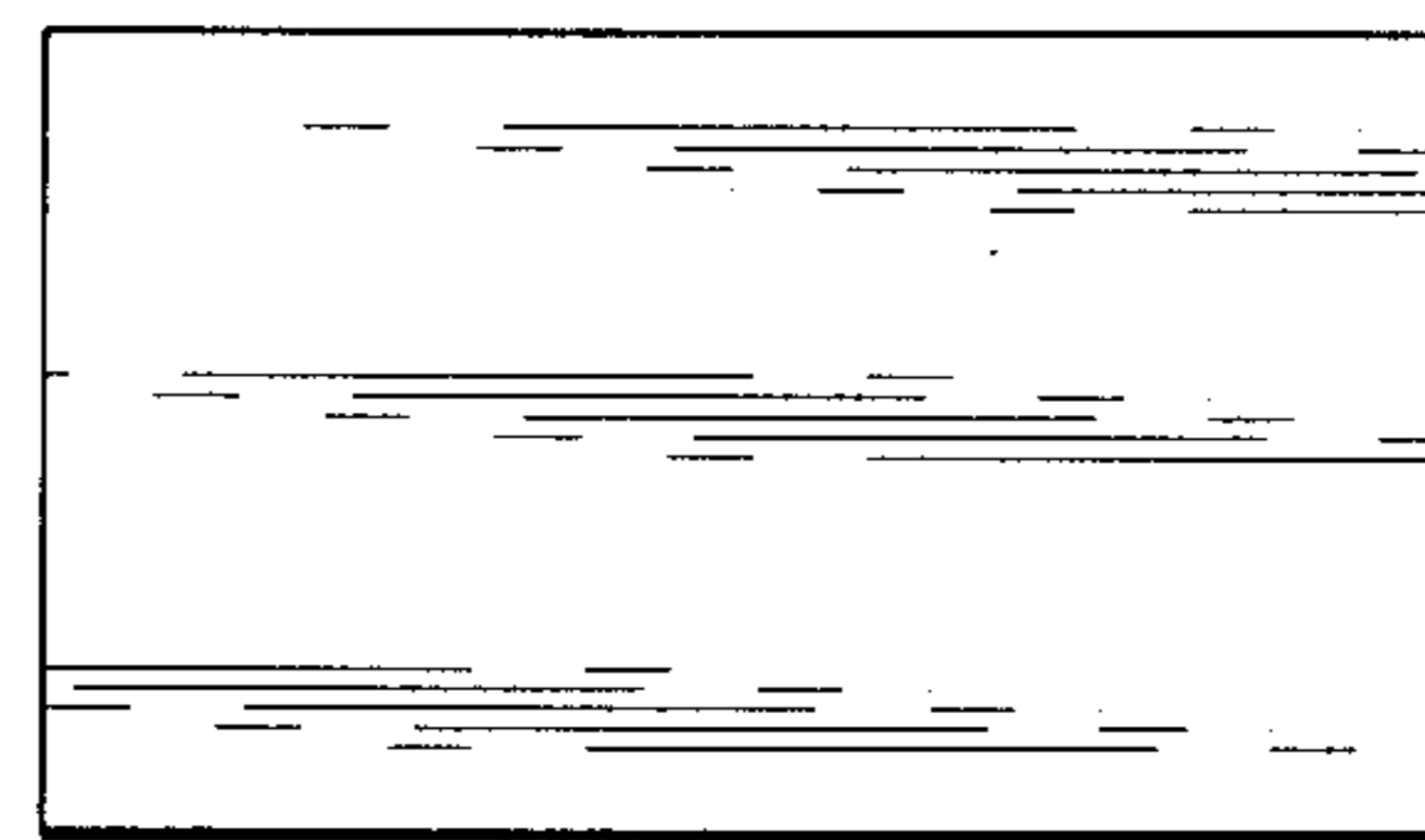


Fig. 4

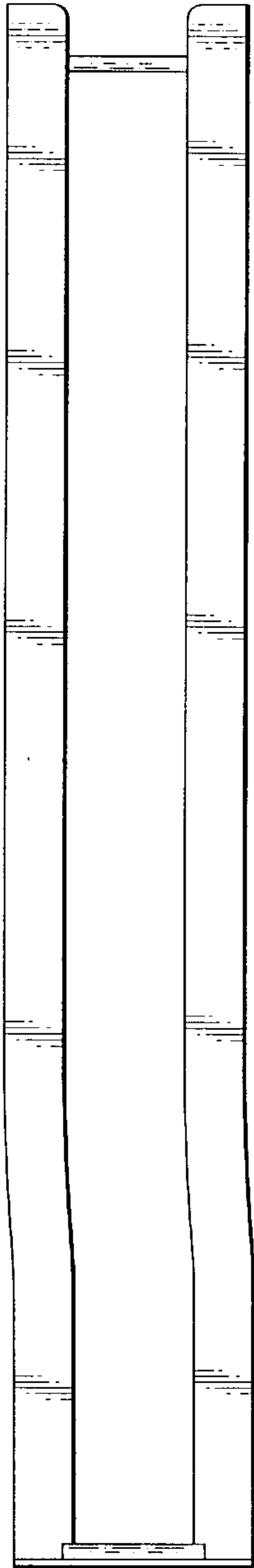


Fig. 5

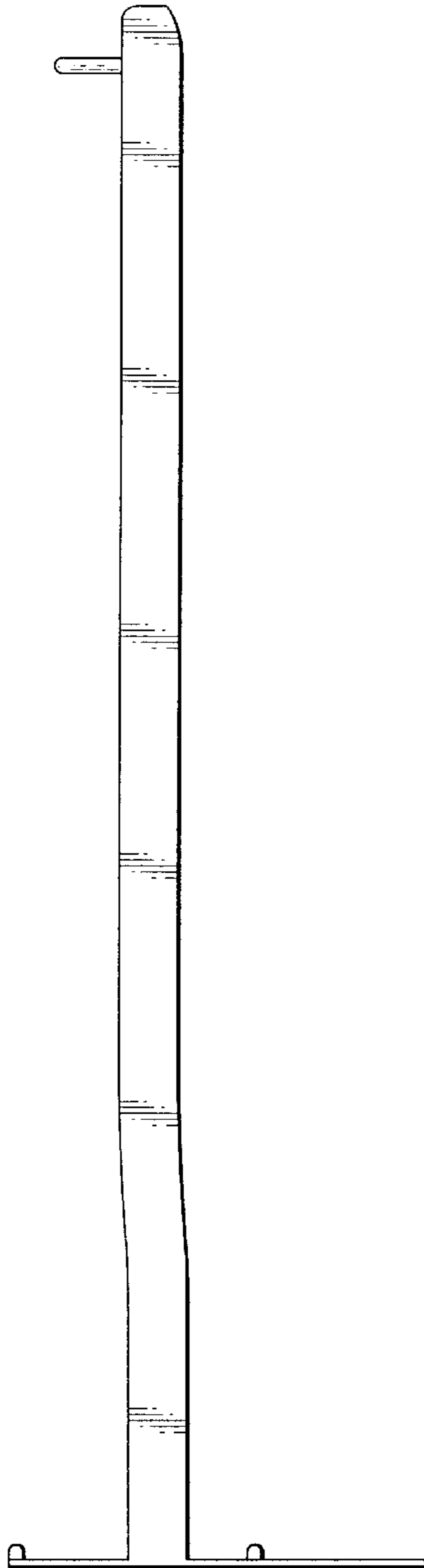


Fig. 6

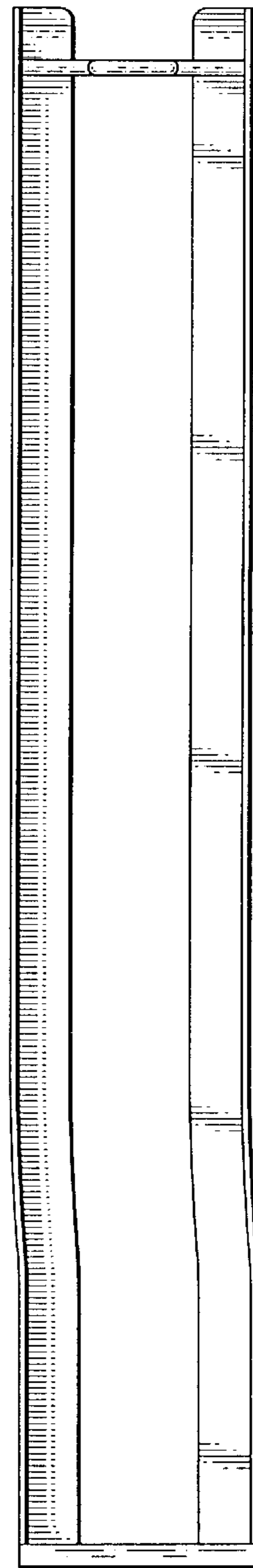


Fig. 7